



US00D952550S

(12) **United States Design Patent** (10) **Patent No.:** **US D952,550 S**
Liu (45) **Date of Patent:** **** May 24, 2022**

(54) **SOLAR PANEL**

(71) Applicant: **Xiangju Liu**, Siping (CN)

(72) Inventor: **Xiangju Liu**, Siping (CN)

(**) Term: **15 Years**

(21) Appl. No.: **29/765,123**

(22) Filed: **Jan. 6, 2021**

(51) **LOC (13) Cl.** **13-02**

(52) **U.S. Cl.**
USPC **D13/102**

(58) **Field of Classification Search**

USPC D28/8.1, 8.2, 76, 77, 78, 79, 80, 91, 99,
D28/4; D25/109, 140, 144; D21/480,
D21/484; D14/371, 432, 439, 441, 447,
D14/451; D13/101, 102, 103, 107, 109,
D13/118, 119, 184, 199; D10/104.1
CPC A45D 34/00; A45D 33/02; A45D 33/025;
A45D 33/006; H01L 31/042; H01L
31/022425; H01L 31/18; F21S 9/032;
F21S 9/035; F21S 8/086; F21S 8/088

See application file for complete search history.

(56) **References Cited**

U.S. PATENT DOCUMENTS

10,010,153	B2 *	7/2018	Kim	A45D 33/006
D837,731	S *	1/2019	Ma	D13/102
D849,678	S *	5/2019	Kojima	D13/102
D855,492	S *	8/2019	Jones	D11/131
D865,659	S *	11/2019	Morgan	D13/102
D883,916	S *	5/2020	Kojima	D13/102
10,709,223	B1 *	7/2020	Kim	B05B 11/3001
D897,944	S *	10/2020	Bevilacqua	D13/102
D899,352	S *	10/2020	Gong	D13/102
D903,583	S *	12/2020	Bevilacqua	D13/102
D903,584	S *	12/2020	Murmanski	D13/102
10,986,910	B2 *	4/2021	Kim	A45D 40/0068
D934,036	S *	10/2021	Jenkins	D7/629

OTHER PUBLICATIONS

Round solar panel elements. (Design—© Questel) orbit.com. [Online PDF compilation of references] 51pgs. Print Dates Range Dec. 17, 2021-Aug. 21, 2019 [Retrieved Jan. 5, 2022].*

2 Pack Solar Lights Replacement Top. Jul. 12, 2021. Amazon, https://www.amazon.com/Replacement-Kilobey-Outdoor-Lanterns-Accessories/dp/B0995C1XC2/ref=asc_df_B0995C1XC2/?tag=hyprod-20&linkCode=df0&hvadid=532716922015&hvpos=&hvnetw=g&hvrnd=3622297889183173390&hvpone=&hvptwo=&hvqmt=&hvdev=c&hvdvcmdl=&hvlocint=&hvlocp.*

Eastland Round Table Mirror 5. Before Nov. 19, 2014. Quick Candles, https://quickcandles.com/products/eastland-round-table-mirror-5?currency=USD&variant=34550566584473&utm_medium=cpc&utm_source=google&utm_campaign=Google%20Shopping&gclid=EAlalQobChMI_4-r4dKZ9QIVj47ICh1zrABTEAsYByABEGLasvD_BwE.*

Apple MagSafe Charger Oct. 16, 2020. Amazon. https://www.amazon.com/Apple-MHXXH3AM-A-MagSafe-Charger/dp/B08L5NP6NG/ref=pd_rhf_dp_s_pd_crcd_7/141-4877602-3041268?pd_rd_w=fTCK7&pf_rd_p=ecb2692f-0365-4eca-a102-58ef51a608ce&pf_rd_r=KX0MQ5F35G6878QRYSQJ&pd_rd_r=15d7f57b-8395-4958-aba2-828d71b970d5&pd_rd_wg=p7w97&pd_rd_i=.*

* cited by examiner

Primary Examiner — Manpreet S Matharu

Assistant Examiner — Suzanne E Tisdell

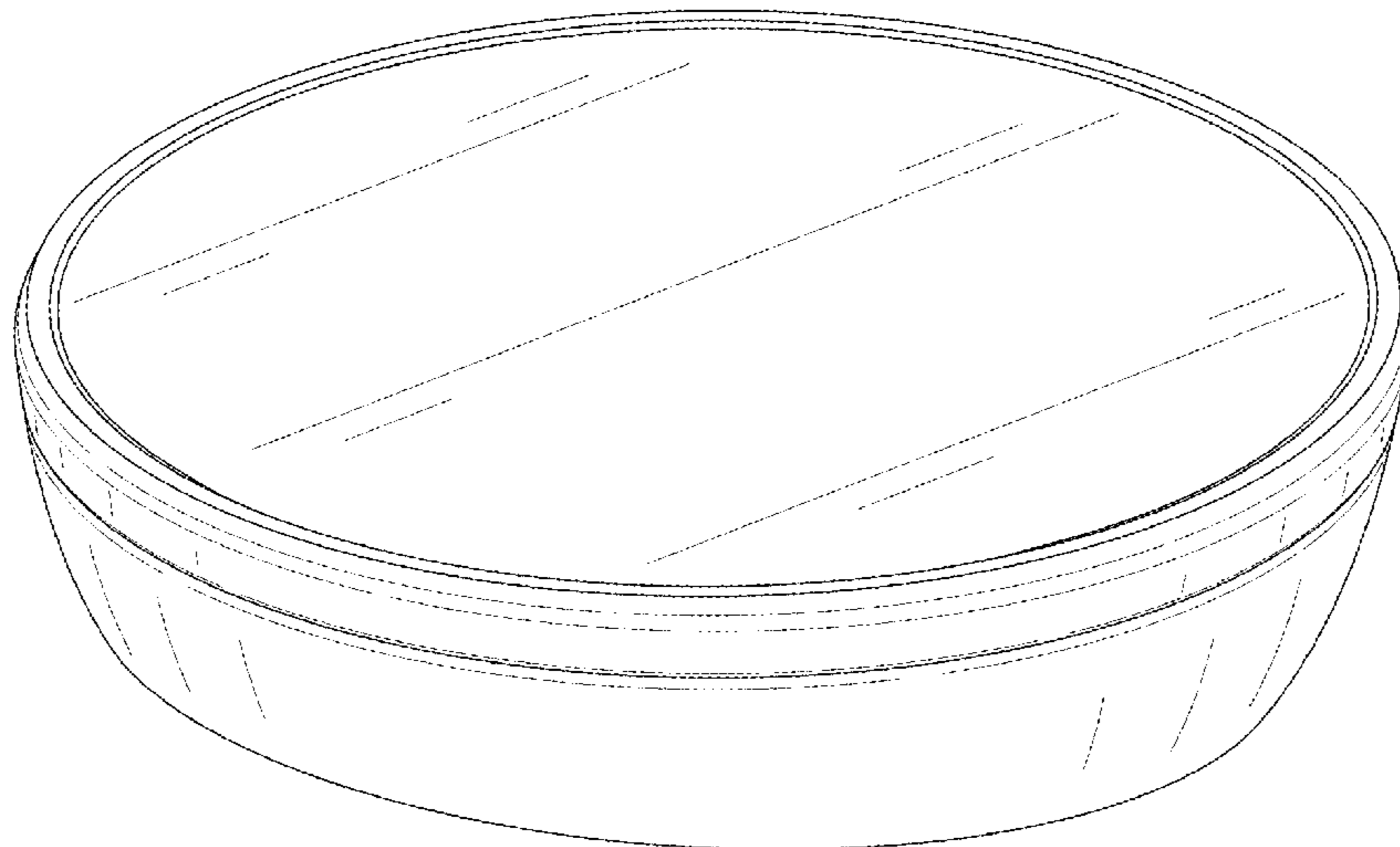
(57) **CLAIM**

The ornamental design for a solar panel, as shown and described.

DESCRIPTION

FIG. 1 is a first perspective view of a solar panel showing my new design;
FIG. 2 is a second perspective view thereof;
FIG. 3 is a front view thereof;
FIG. 4 is a back view thereof;
FIG. 5 is a left side view thereof;
FIG. 6 is a right side view thereof;
FIG. 7 is a top view thereof; and,
FIG. 8 is a bottom view thereof.

1 Claim, 8 Drawing Sheets



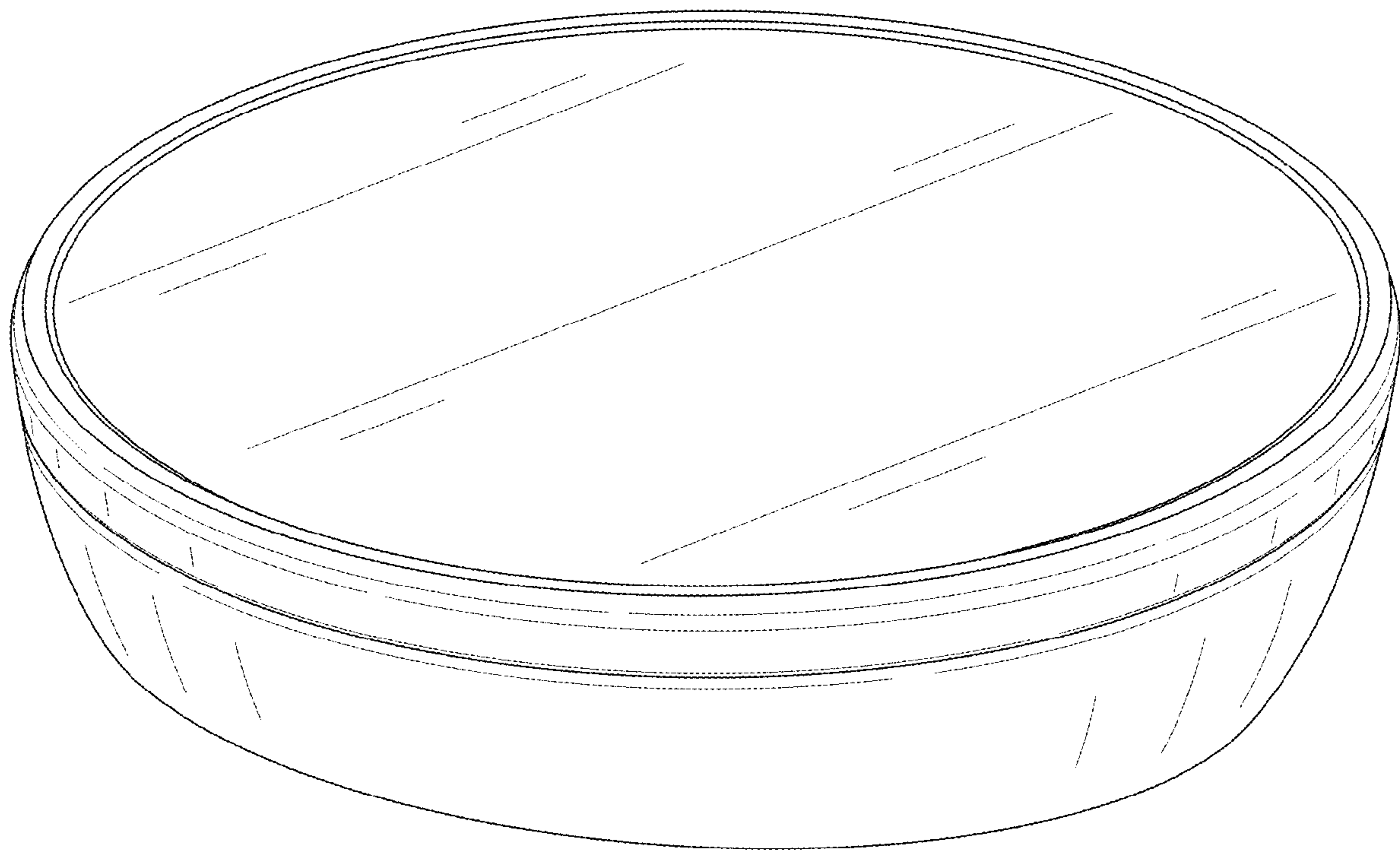


FIG. 1

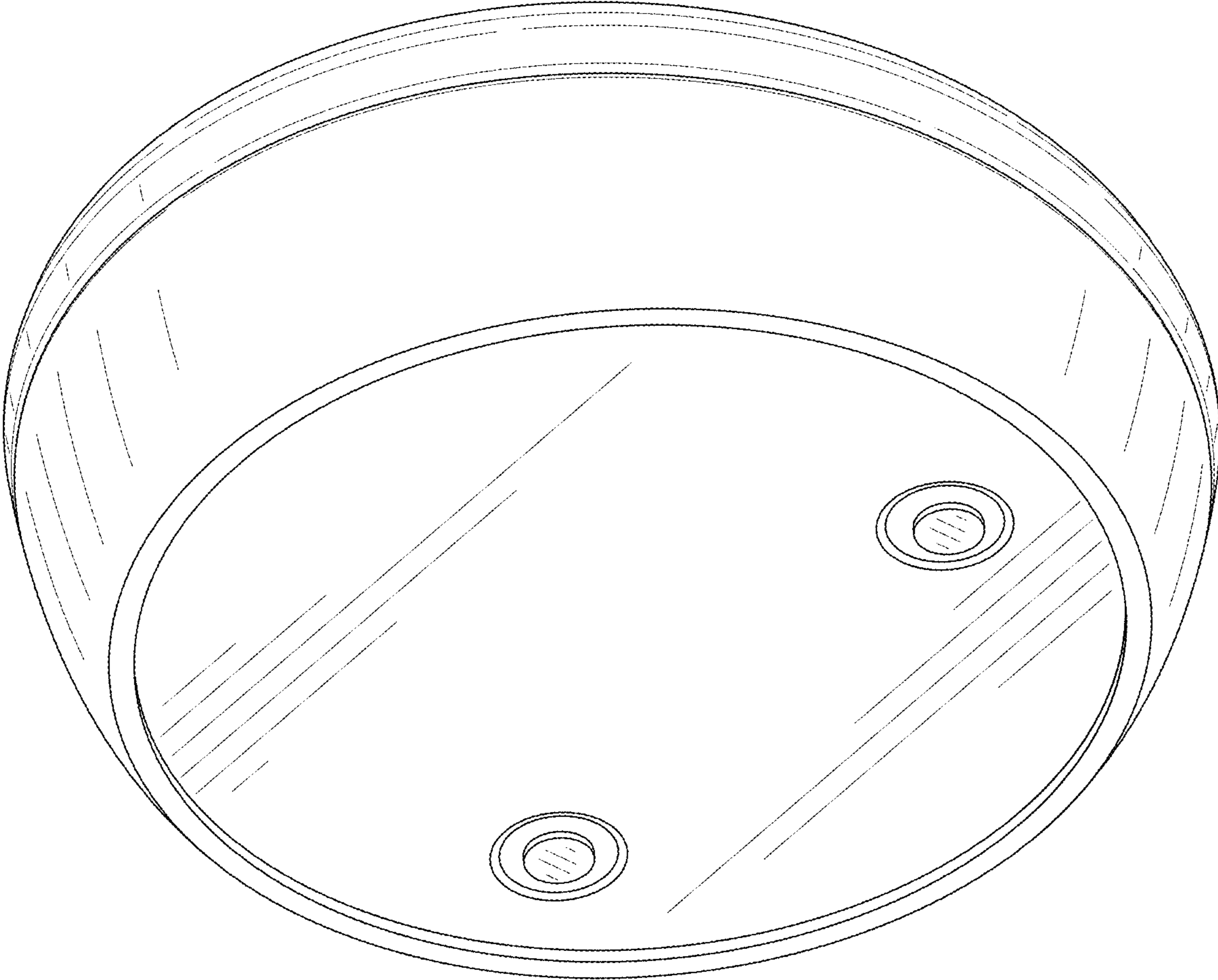


FIG. 2

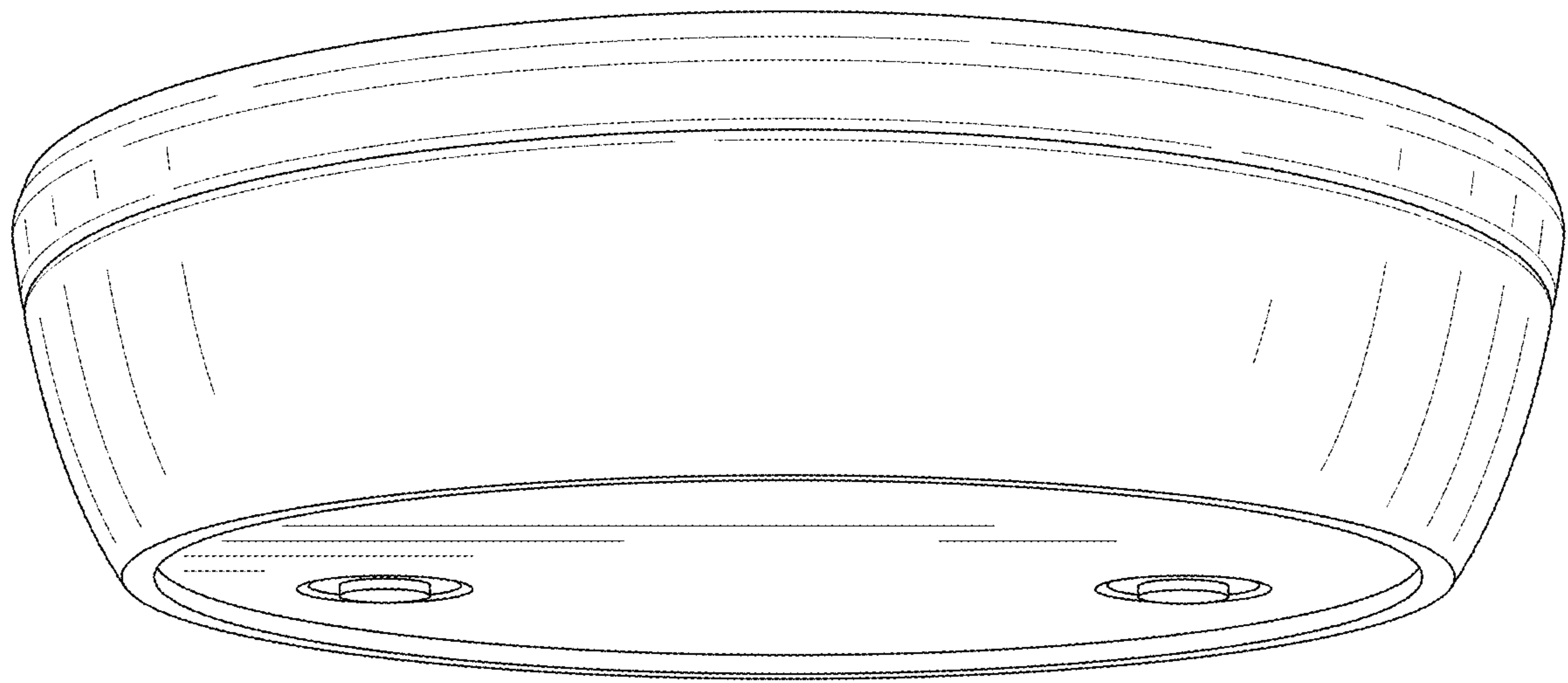


FIG. 3

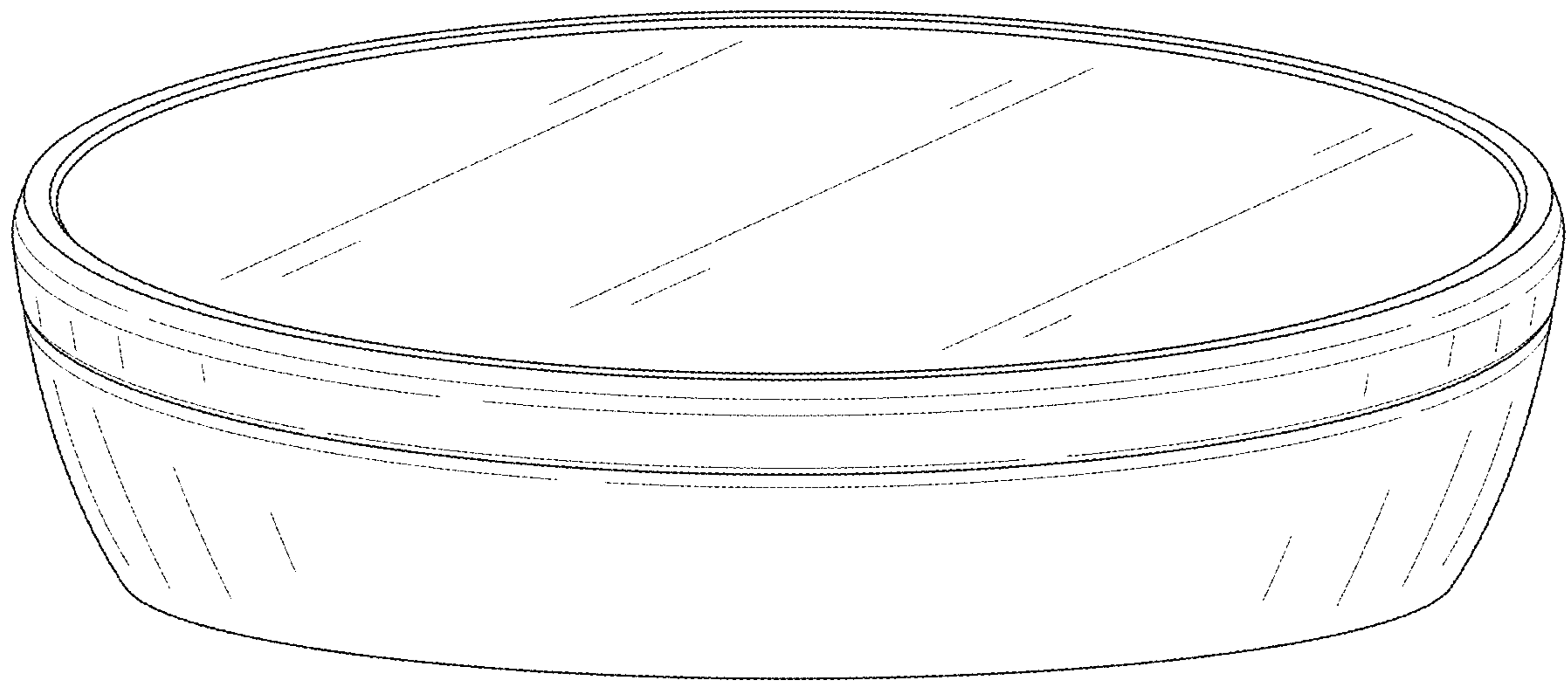


FIG. 4

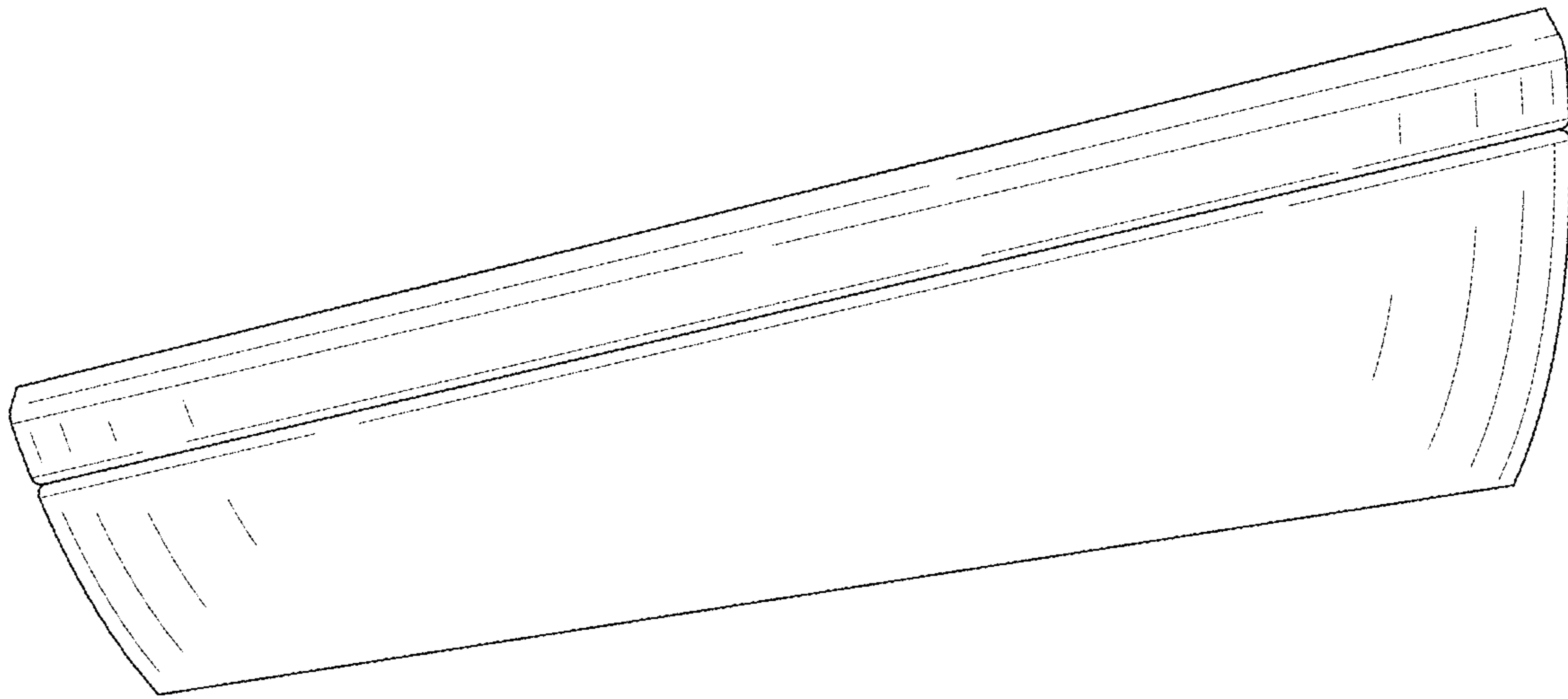


FIG. 5

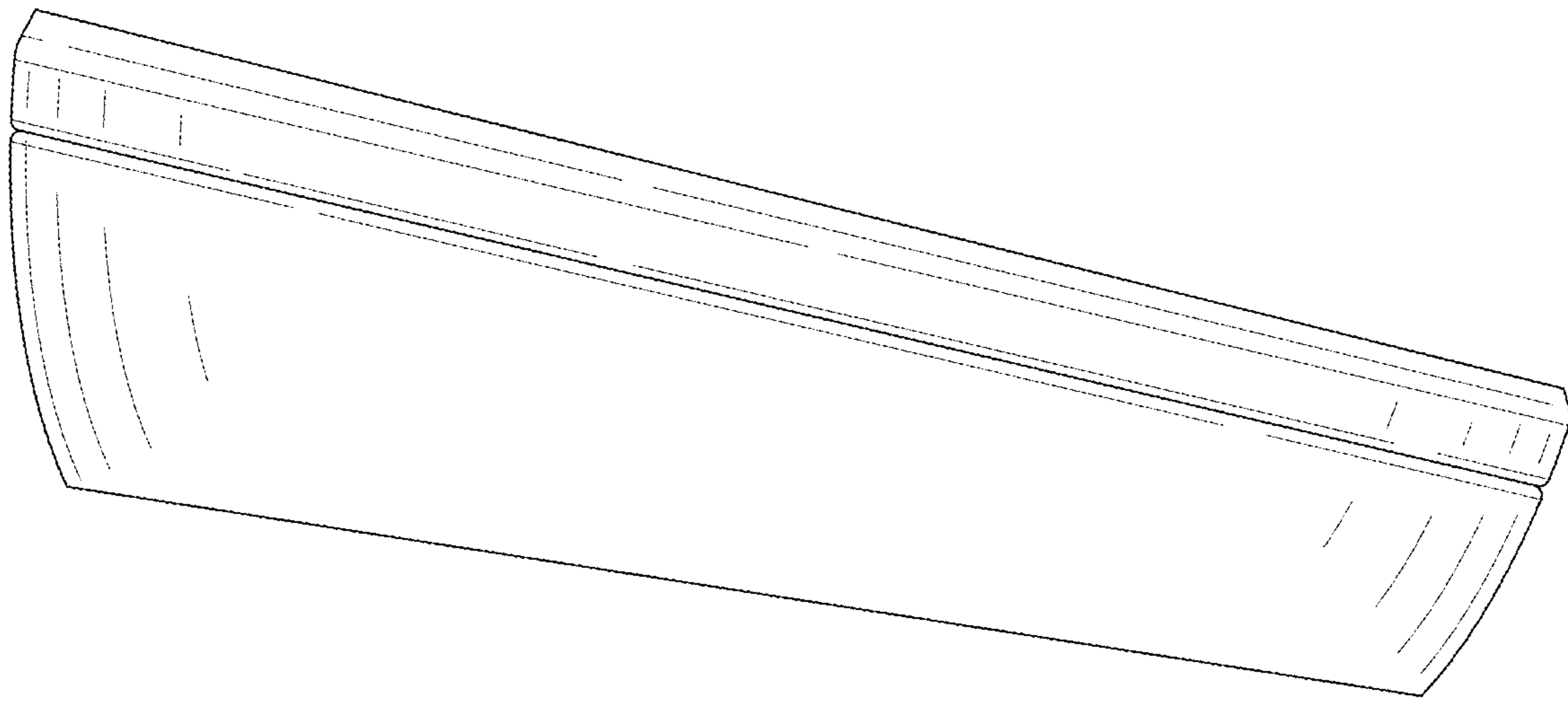


FIG. 6

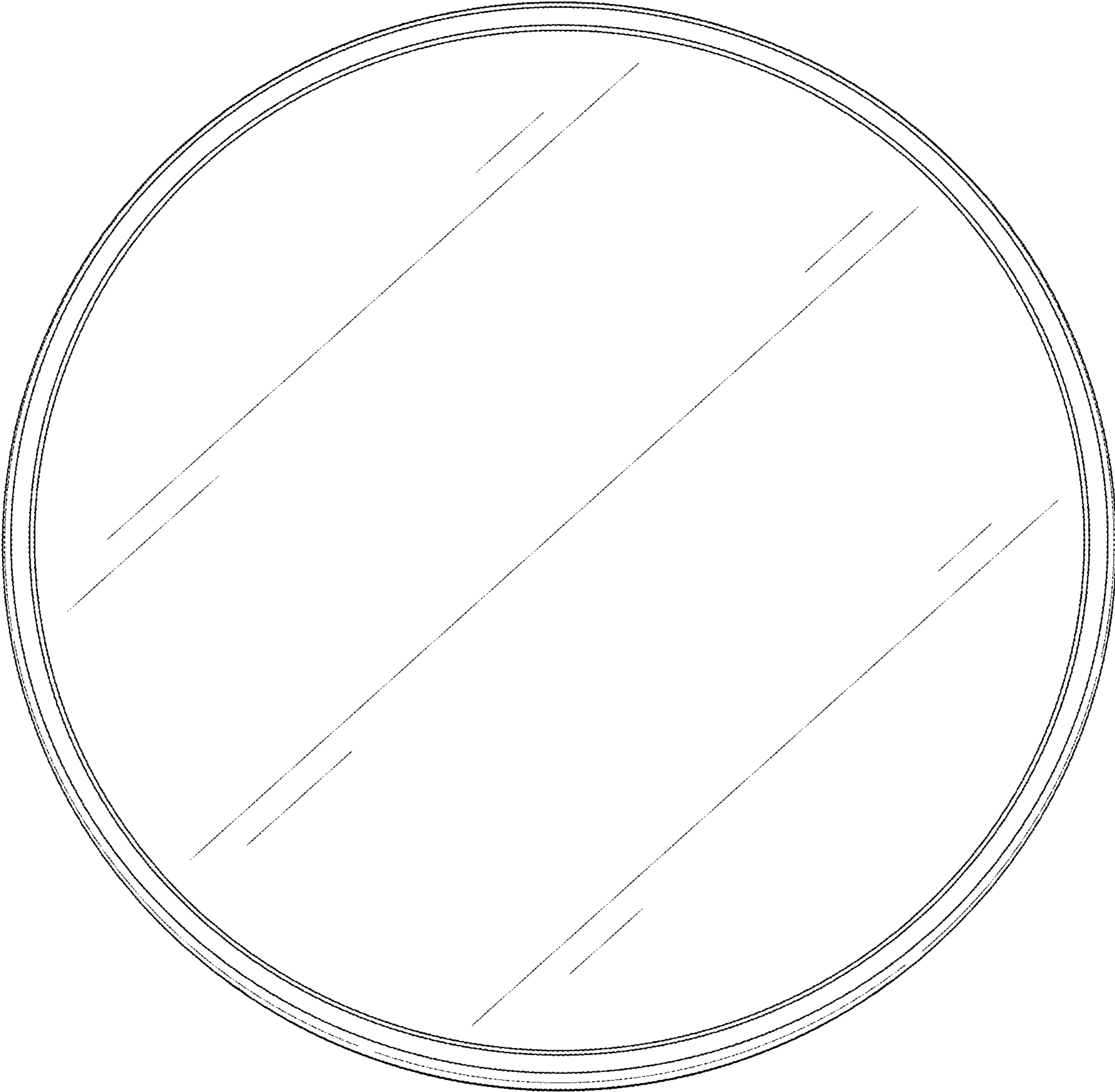


FIG. 7

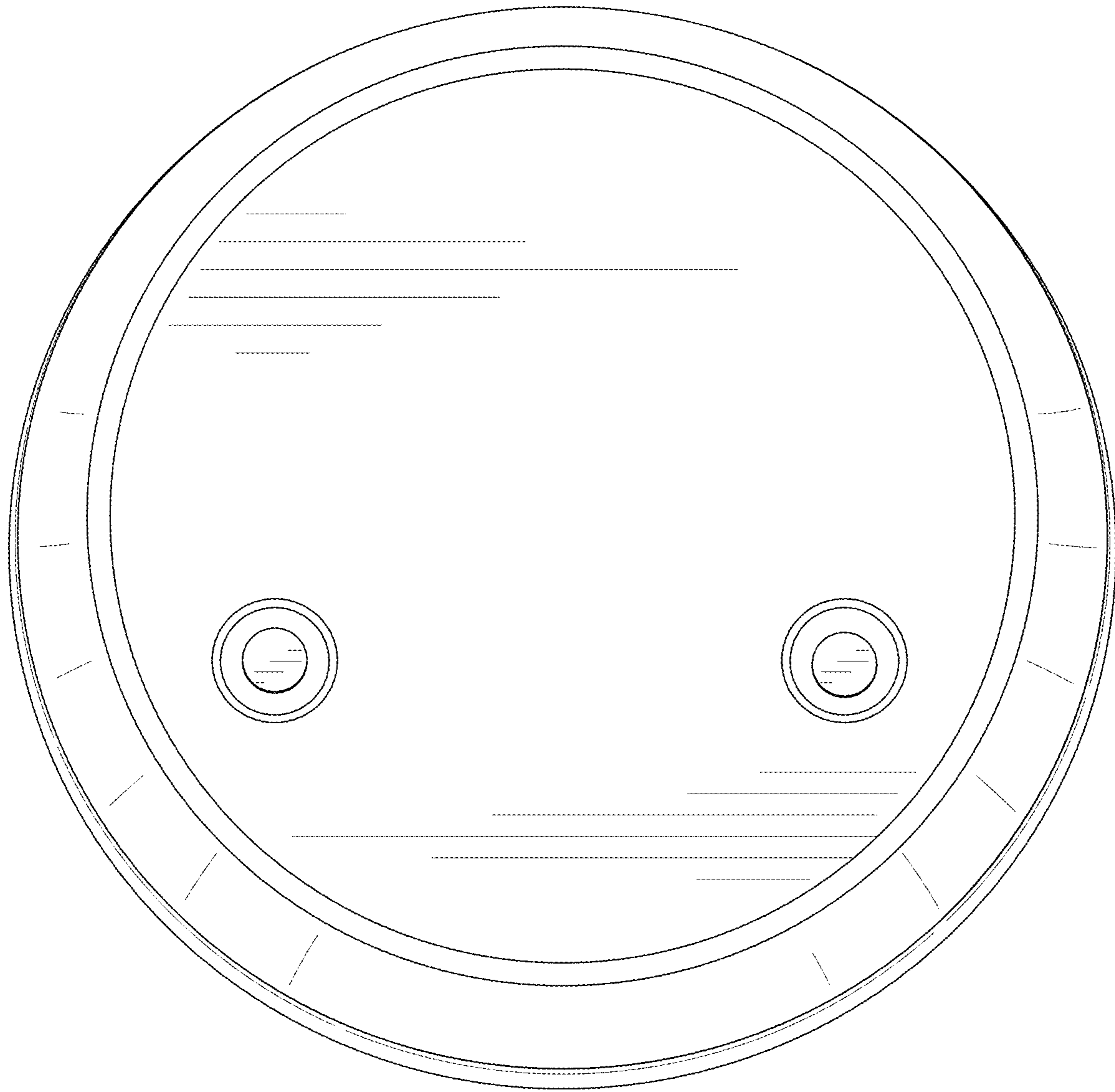


FIG. 8