



US00D952549S

(12) **United States Design Patent** (10) **Patent No.:** **US D952,549 S**
Liu (45) **Date of Patent:** **** May 24, 2022**

(54) **SOLAR PANEL**
(71) Applicant: **Xiangju Liu**, Siping (CN)
(72) Inventor: **Xiangju Liu**, Siping (CN)
(**) Term: **15 Years**
(21) Appl. No.: **29/764,949**
(22) Filed: **Jan. 5, 2021**
(51) **LOC (13) Cl.** **13-02**
(52) **U.S. Cl.**
USPC **D13/102**
(58) **Field of Classification Search**
USPC D10/104.1; D13/101, 102, 103, 107,
D13/109, 118, 119, 184, 199; D14/371,
D14/432, 439, 441, 447, 451; D21/480,
D21/484; D25/109, 140, 144
CPC .. F21S 8/086; F21S 8/088; F21S 9/032; F21S
9/035; H01L 31/042; H01L 31/022425;
H01L 31/18
See application file for complete search history.

Solar Powered Dancing Flower Toy. Jul. 29, 2020. Amazon. <https://www.amazon.co.uk/Powered-Dancing-Flower-Rocking-Display/dp/B08DV1ZKZ5?th=1>.
Diyiming 4 Solar Dancing Sunflower Toy. Sep. 27, 2020. Amazon, https://www.amazon.co.uk/Diyiming-Sunflower-Butterfly-Bobblehead-Suncatcher/dp/B08K7CYPKZ/ref=pd_sbs_4/260-6150790-8870754?pd_rd_w=hoJTd&pf_rd_p=a3a7088f-4aec-4dbd-97cc-9a059581fe7b&pf_rd_r=0YDA86SY1ET502RT23XS&pd_rd_r=7422c92e-a624-4345-b669-287ac302de.
Solar Flower Lights Outdoor Garden. Apr. 20, 2021. Amazon. https://www.amazon.co.uk/Solar-Flower-Lights-Outdoor-Garden/dp/B092ZY159W/ref=sr_1_2_sspa?crd=WZCXH91E2BUP&keywords=solar+flower&qid=1641350763&s=kitchen&sprefix=solar+flower%2Ckitchen%2C169&sr=1-2-spons&psc=1&spLa=ZW5jcnlwdGVkUXVhbGlmaWVyPUFNN1Q0RTN0UUFZWO.

* cited by examiner

Primary Examiner — Manpreet S Matharu
Assistant Examiner — Suzanne E Tisdell

(56) **References Cited**

U.S. PATENT DOCUMENTS

D865,659 S	*	11/2019	Morgan	D13/102
D878,287 S	*	3/2020	Shi	D13/102
D883,916 S	*	5/2020	Kojima	D13/102
D887,346 S	*	6/2020	Abbamonte	D13/102
D897,944 S	*	10/2020	Bevilacqua	D13/102
D899,352 S	*	10/2020	Gong	D13/102
D903,583 S	*	12/2020	Bevilacqua	D13/102
D903,584 S	*	12/2020	Murmanski	D13/102
D909,955 S	*	2/2021	Au	D13/102
D909,960 S	*	2/2021	Swatek	D13/102
D921,574 S	*	6/2021	Vaccaro	D13/102
D924,790 S	*	7/2021	Bevilacqua	D13/102
D925,441 S	*	7/2021	Nakano	D13/102

OTHER PUBLICATIONS

Solar Flower. (Design—© Questel) orbit.com. [Online PDF compilation of references] 49 pgs. Print Dates Range Aug. 5, 2021-Jul. 15, 2019 [Retrieved Jan. 4, 2022].*

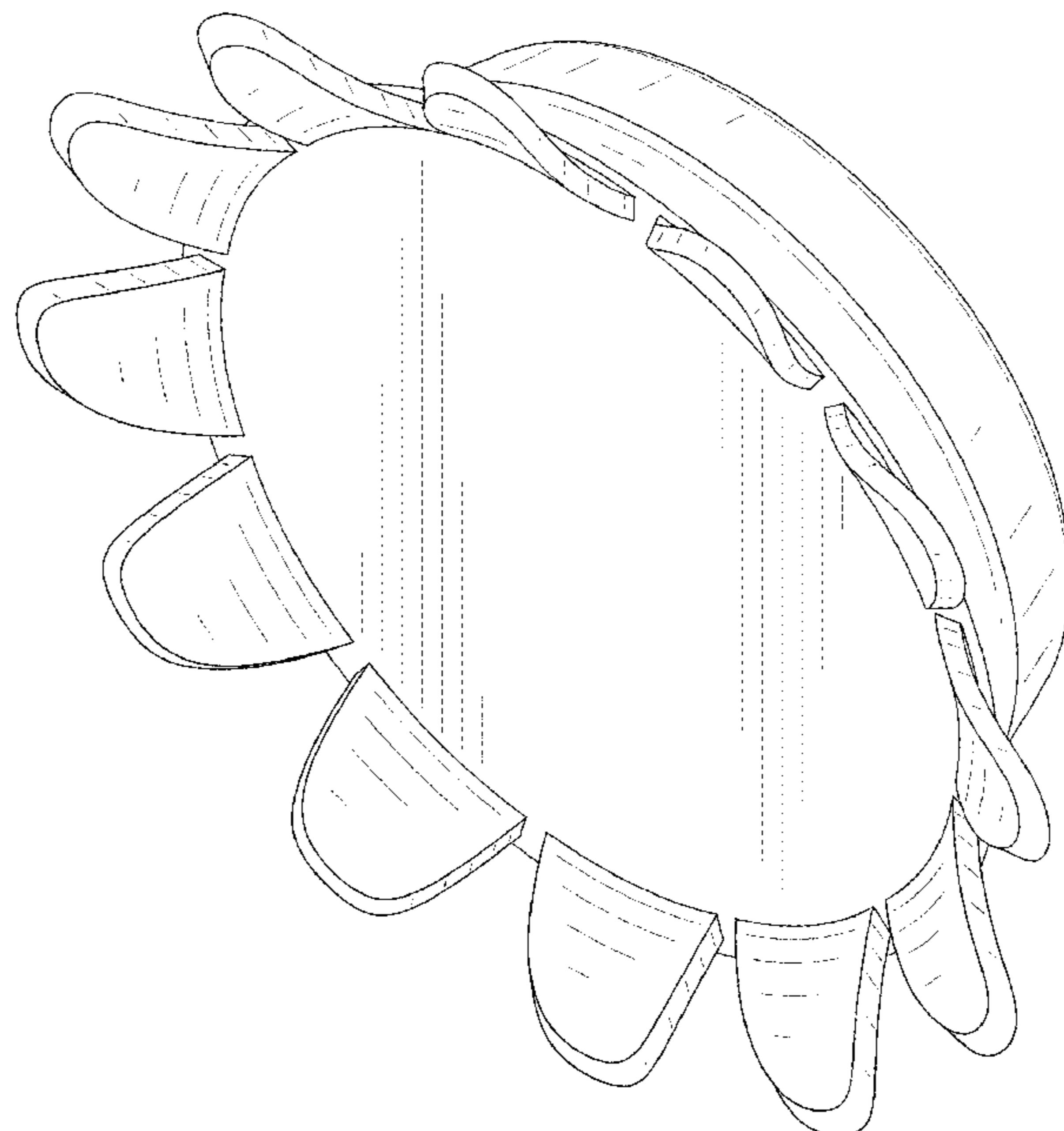
(57) **CLAIM**

The ornamental design for a solar panel, as shown and described.

DESCRIPTION

FIG. 1 is a first perspective view of a solar panel showing my new design;
FIG. 2 is a second perspective view thereof;
FIG. 3 is a front view thereof;
FIG. 4 is a back view thereof;
FIG. 5 is a left side view thereof;
FIG. 6 is a right side view thereof;
FIG. 7 is a top view thereof; and,
FIG. 8 is a bottom view thereof.

1 Claim, 8 Drawing Sheets



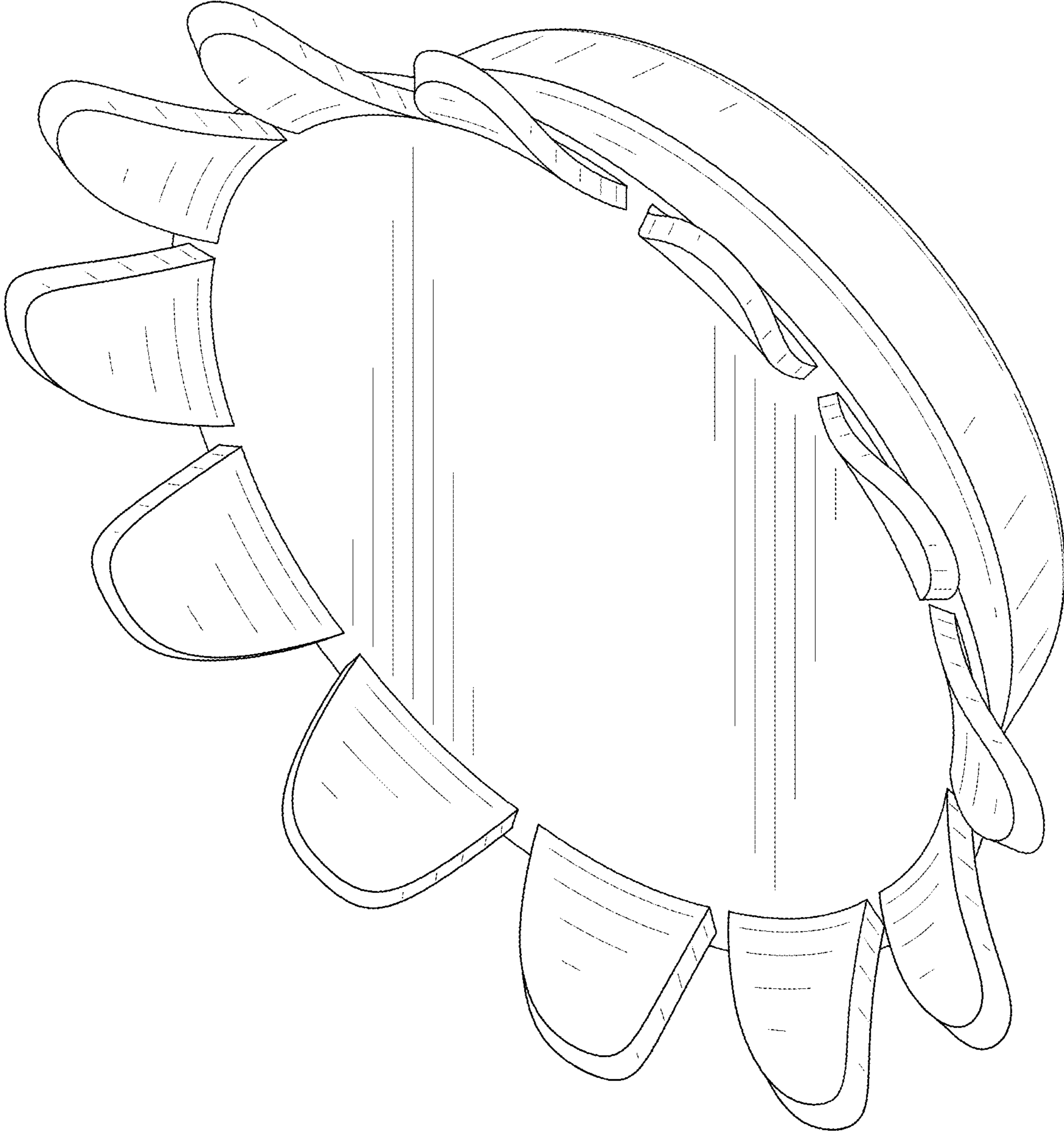


FIG. 1

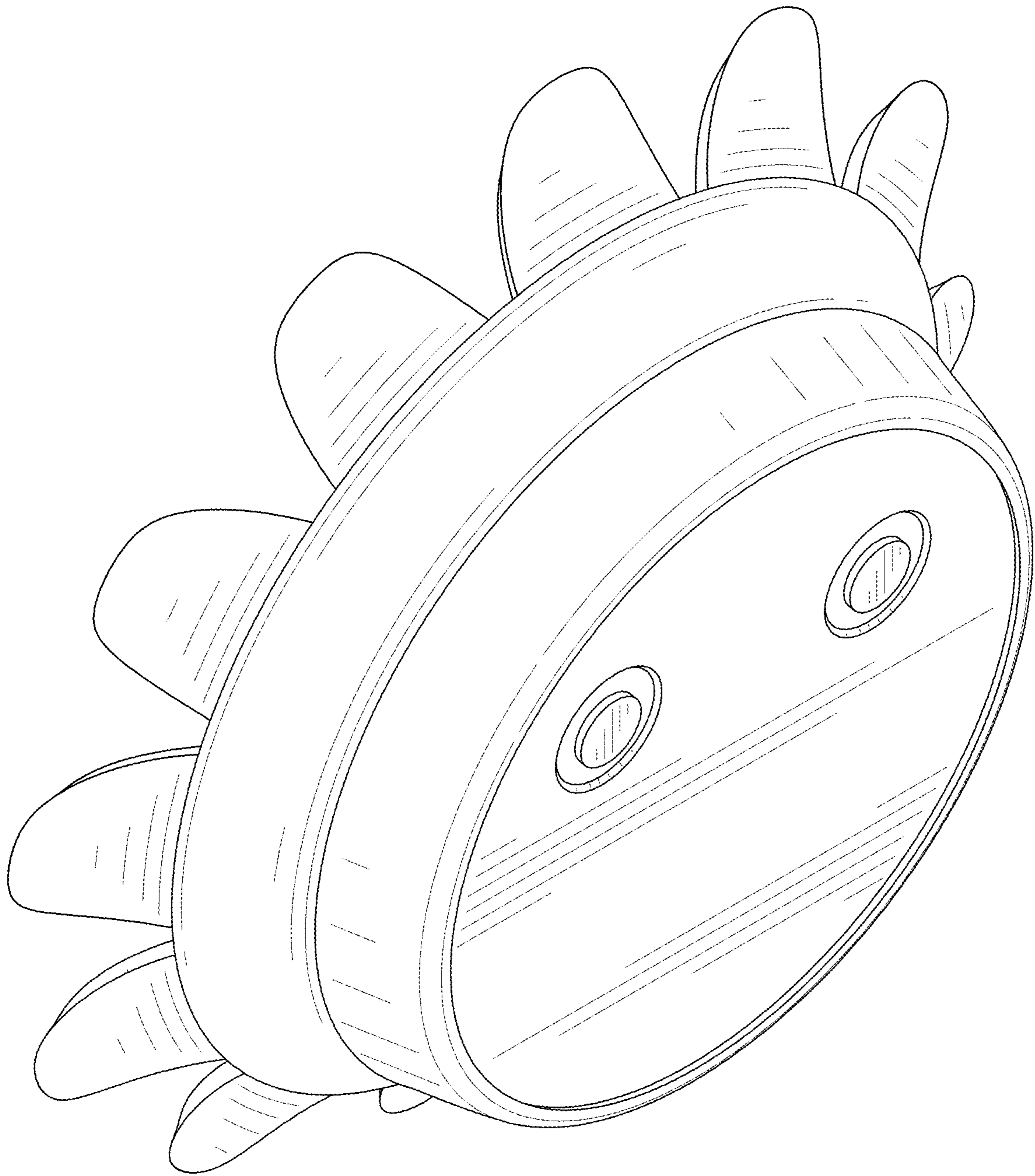


FIG. 2

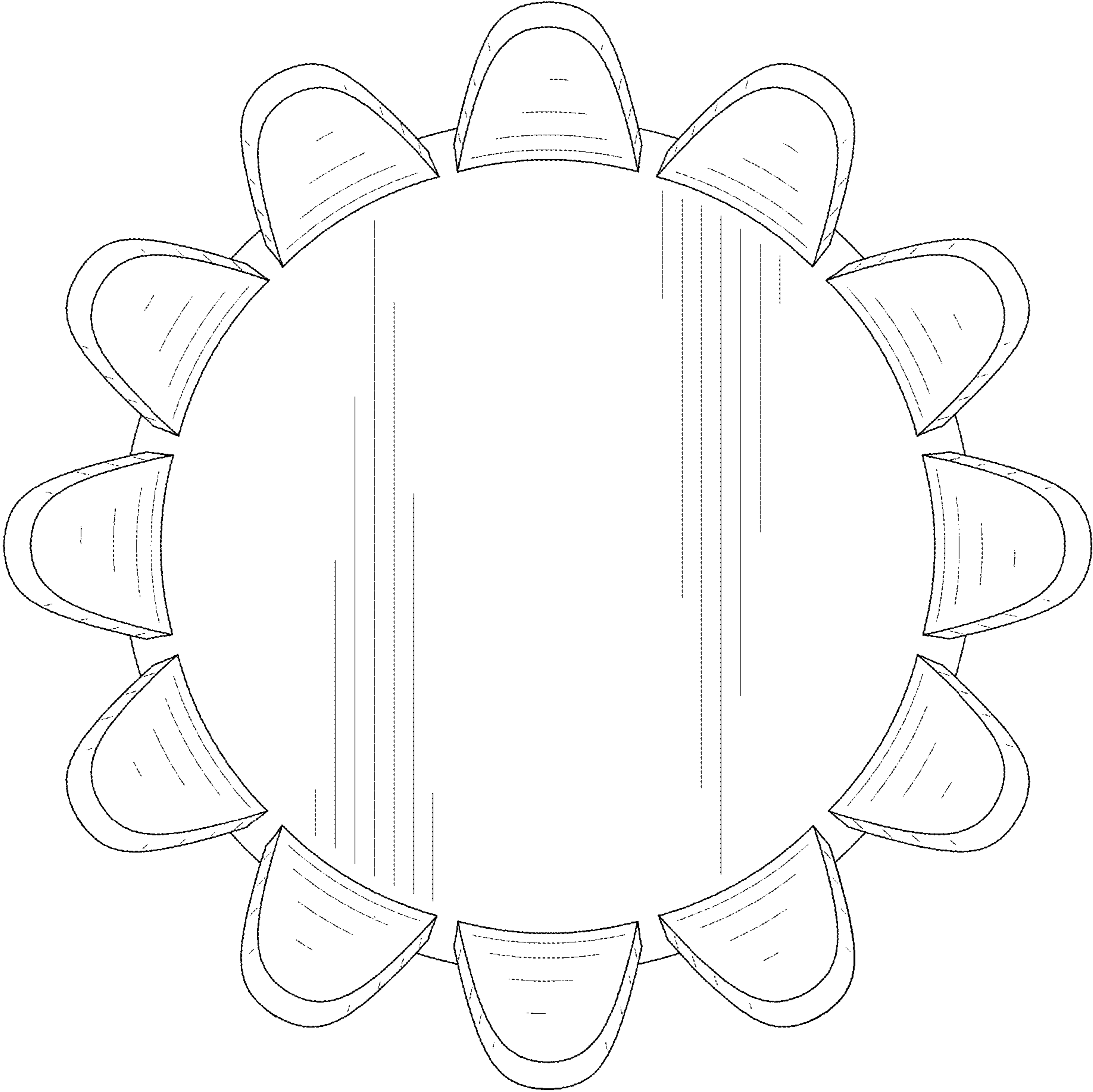


FIG. 3

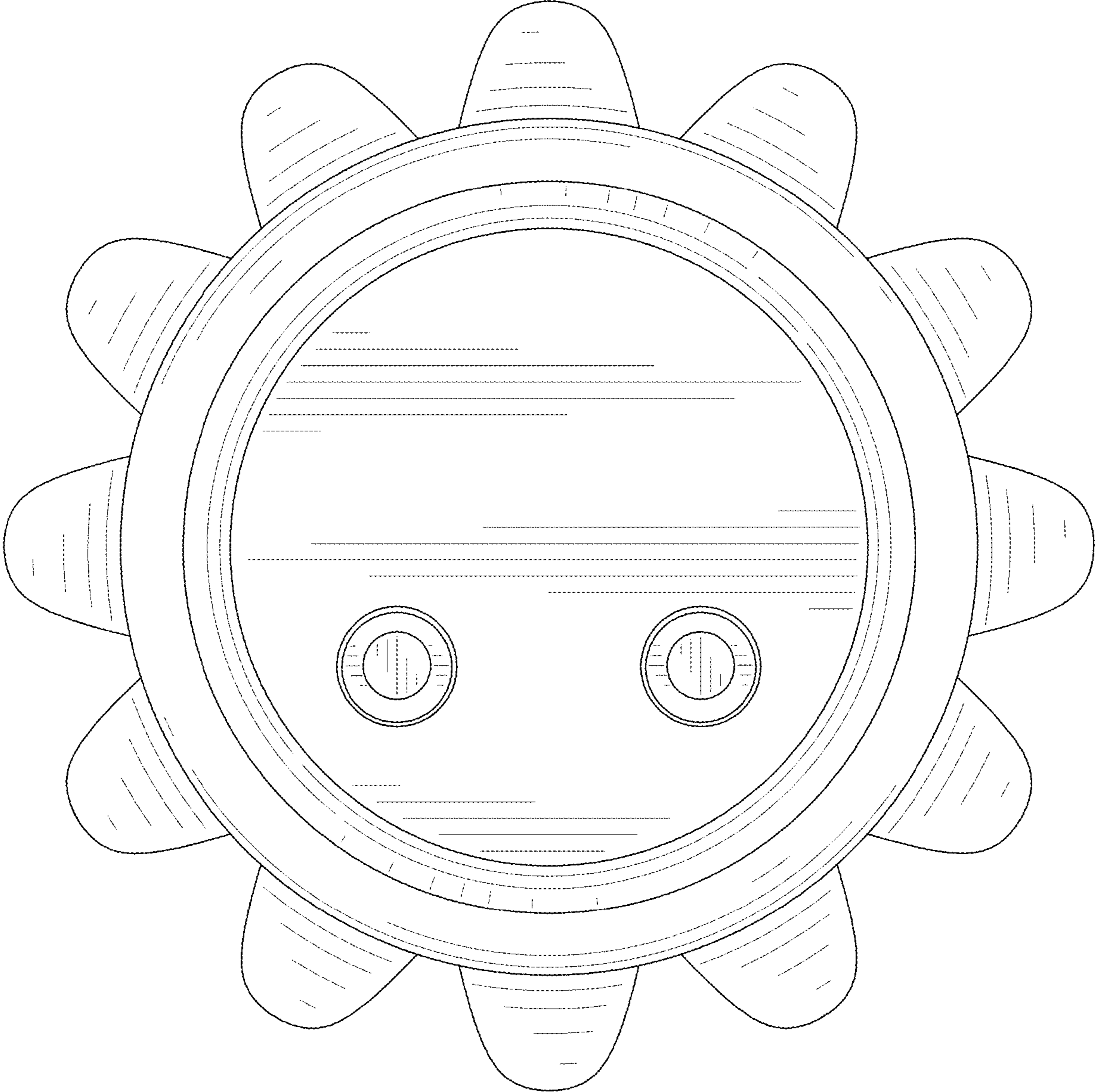


FIG. 4

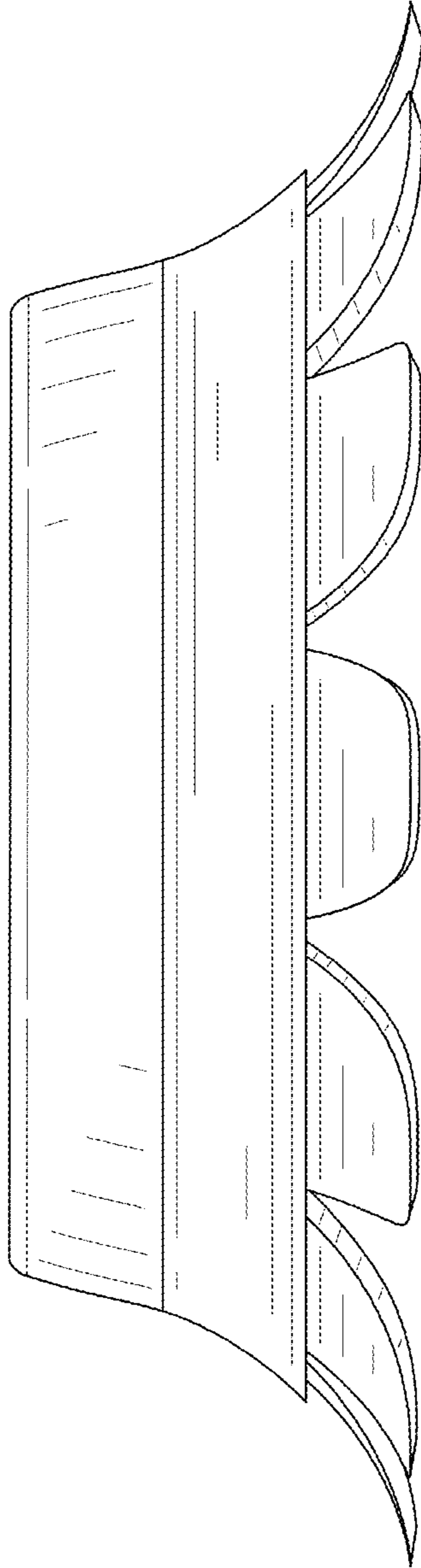


FIG. 5

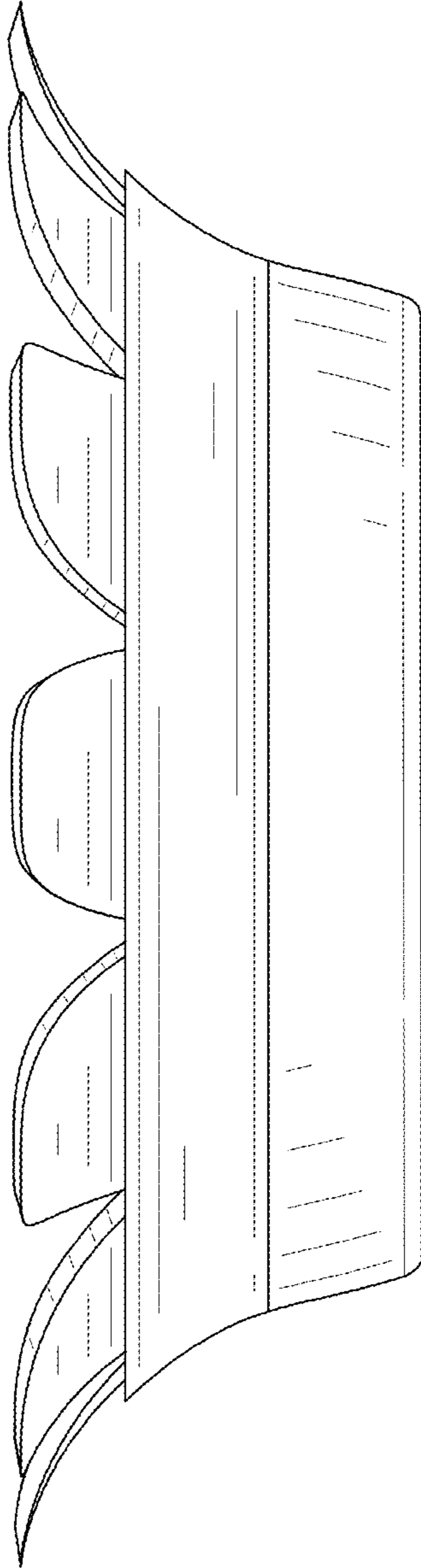


FIG. 6

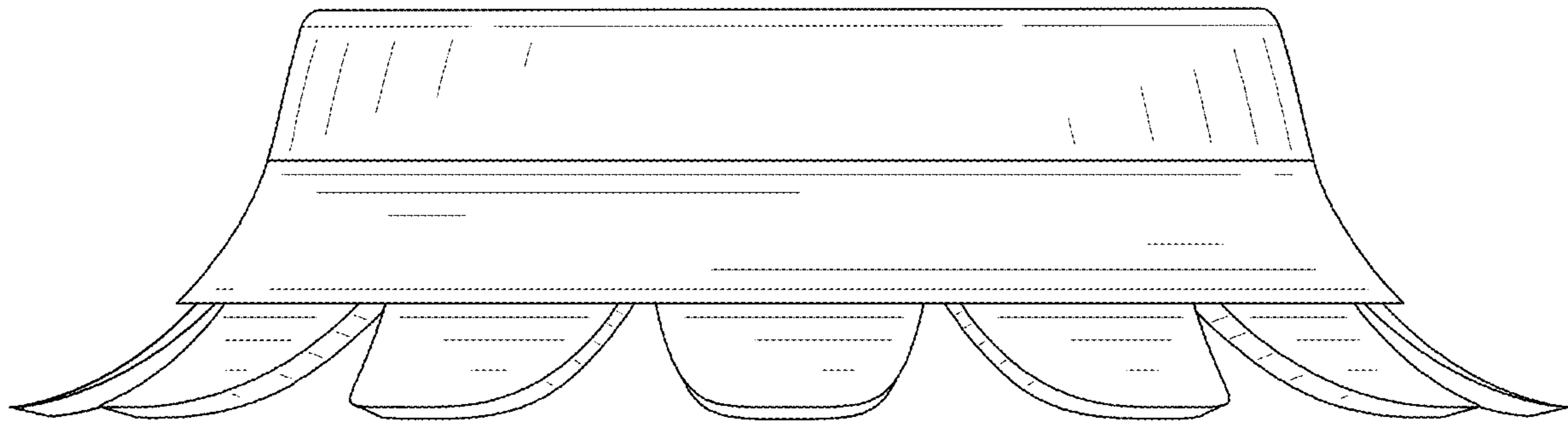


FIG. 7

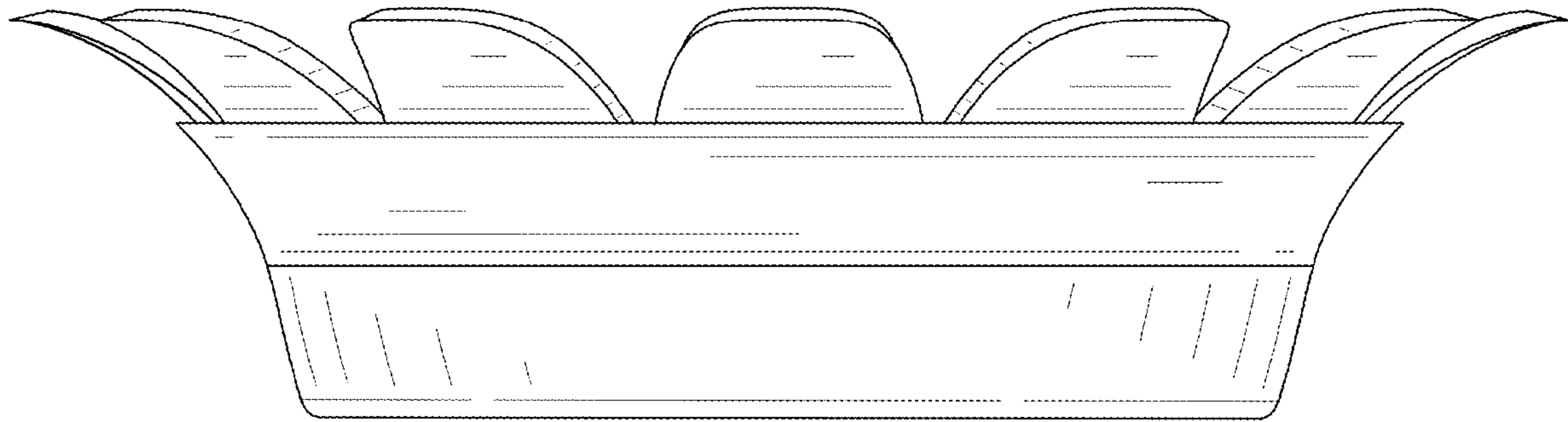


FIG. 8