



US00D952548S

(12) **United States Design Patent**  
**Pei et al.**

(10) **Patent No.:** **US D952,548 S**  
(45) **Date of Patent:** **\*\* May 24, 2022**

(54) **TIRE CHAIN**  
(71) Applicants: **Guolin Pei**, Guangdong (CN); **Junhui Lu**, Shanghai (CN)  
(72) Inventors: **Guolin Pei**, Guangdong (CN); **Junhui Lu**, Shanghai (CN)  
(\*\*) Term: **15 Years**

5,779,827 A \* 7/1998 Olexson ..... B60C 27/04  
152/218  
6,009,922 A \* 1/2000 Gogan ..... B60C 27/02  
152/218  
6,581,661 B1 \* 6/2003 Morrison ..... B60C 27/02  
152/232  
D559,173 S 1/2008 Roed  
D689,014 S \* 9/2013 Cox ..... D12/608  
D704,132 S \* 5/2014 Curry ..... D12/607  
D707,622 S \* 6/2014 Curry ..... D12/608

(Continued)

(21) Appl. No.: **29/784,234**  
(22) Filed: **May 18, 2021**

*Primary Examiner* — Michelle E. Wilson  
*Assistant Examiner* — Clese Moore, Jr.  
(74) *Attorney, Agent, or Firm* — ScienBiziP, P.C.

(30) **Foreign Application Priority Data**

Apr. 30, 2021 (CN) ..... 202130258232.8  
(51) **LOC (13) Cl.** ..... **12-15**  
(52) **U.S. Cl.**  
USPC ..... **D12/608**  
(58) **Field of Classification Search**  
USPC ..... D12/608, 604, 400, 500–501; D8/44,  
D8/499  
CPC ..... B60C 27/00; B60C 27/04; B60C 27/06;  
B60C 27/08; B60C 27/003; B60C 27/20;  
B60C 27/086; B60C 27/0269; B60C  
27/0276  
See application file for complete search history.

(57) **CLAIM**

The ornamental design for a tire chain, as shown and described.

**DESCRIPTION**

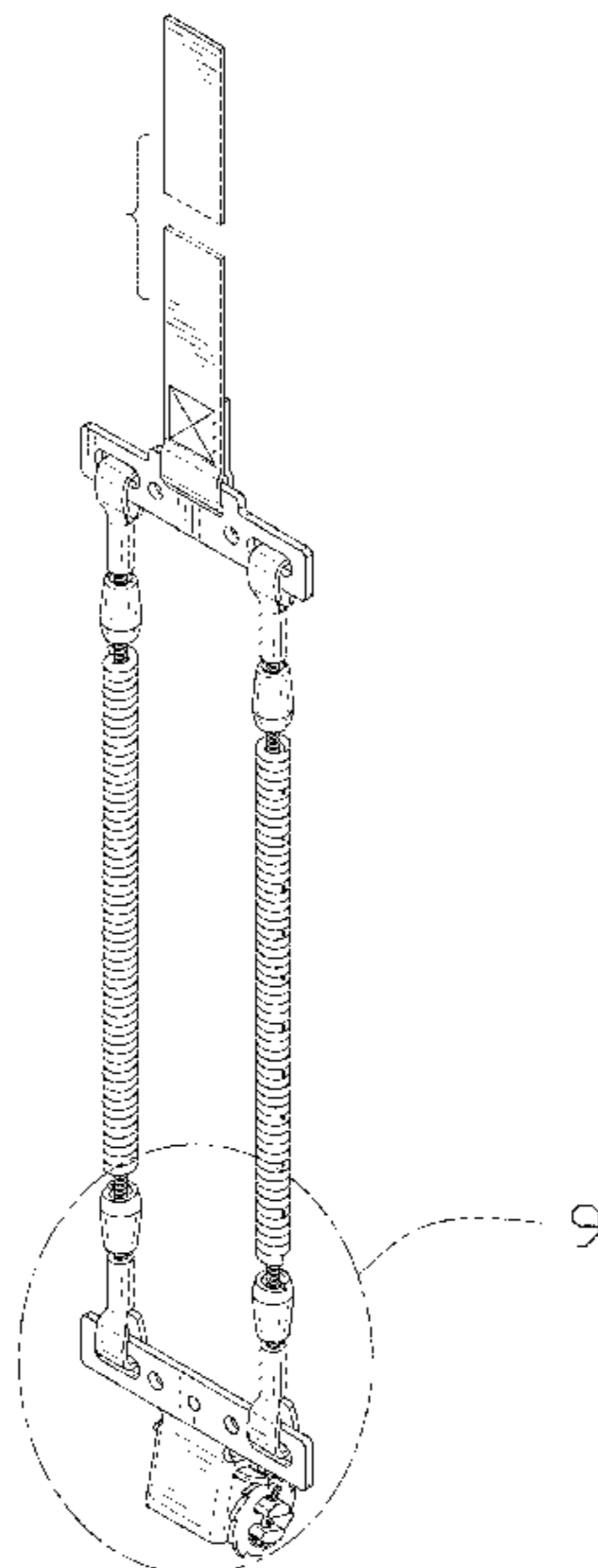
FIG. 1 is a front, right, and top perspective view of a tire chain, showing our design.  
FIG. 2 is a rear, left, and bottom perspective view thereof.  
FIG. 3 is a front elevation view thereof.  
FIG. 4 is a rear elevation view thereof.  
FIG. 5 is a left side elevation view thereof.  
FIG. 6 is a right side elevation view thereof.  
FIG. 7 is a top plan view thereof.  
FIG. 8 is a bottom plan view thereof.  
FIG. 9 is a partial enlarged view of an area labeled 9 in FIG. 1 comprising a lower part.  
FIG. 10 is a partial enlarged view of an area labeled 10 in FIG. 2 comprising a head part; and,  
FIG. 11 is a partial enlarged view of an area labeled 11 in FIG. 2 comprising the lower part.  
The broken lines shown in the drawings are included for the purpose of illustrating portions of the tire chain that form no part of the claimed design.

(56) **References Cited**

**U.S. PATENT DOCUMENTS**

2,146,364 A \* 2/1939 Ashley ..... C07C 17/206  
152/228  
2,582,193 A \* 1/1952 Dowdell ..... B60C 27/10  
152/217  
4,187,894 A \* 2/1980 Peterson ..... B60C 27/16  
152/222  
D263,460 S \* 3/1982 Leach ..... D12/608  
5,236,026 A \* 8/1993 Springer ..... B60C 27/10  
152/241  
D340,435 S 10/1993 Johnson

**1 Claim, 11 Drawing Sheets**



(56)

**References Cited**

U.S. PATENT DOCUMENTS

8,979,213 B2 \* 3/2015 Curry ..... B60C 27/0276  
 152/181  
 D731,964 S \* 6/2015 Williams ..... D12/608  
 9,409,456 B1 \* 8/2016 Mariansky ..... B60C 27/062  
 9,487,056 B1 \* 11/2016 Dolios ..... B60C 27/0269  
 10,328,757 B1 \* 6/2019 Goodson ..... B60C 27/0284  
 D883,915 S \* 5/2020 Cheng ..... D12/608  
 2001/0035246 A1 \* 11/2001 Wettlaufer ..... B60C 27/04  
 152/225 R  
 2004/0154717 A1 \* 8/2004 Gray ..... B60C 27/0276  
 152/213 R  
 2009/0056848 A1 \* 3/2009 Maltezos ..... B60C 27/045  
 152/216  
 2011/0303334 A1 \* 12/2011 Safranek ..... B60C 27/04  
 152/216  
 2012/0119564 A1 \* 5/2012 Perry ..... B60B 15/00  
 301/44.1  
 2012/0153707 A1 \* 6/2012 Dondurur ..... B60C 27/0276  
 301/44.3  
 2015/0053322 A1 \* 2/2015 Curry ..... B60C 27/0276  
 152/221  
 2015/0306926 A1 \* 10/2015 Martin ..... B60C 27/0246  
 152/216  
 2016/0368334 A1 \* 12/2016 O'Connell ..... B60C 27/0276

\* cited by examiner

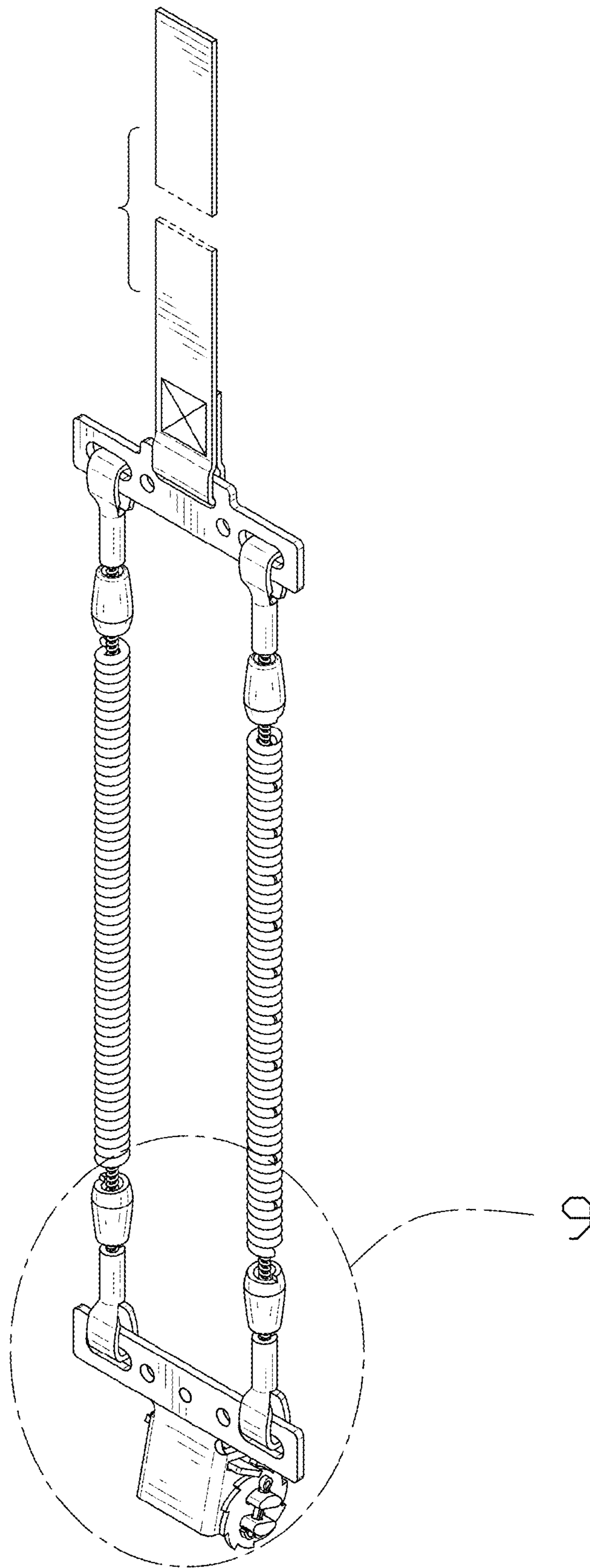


FIG. 1

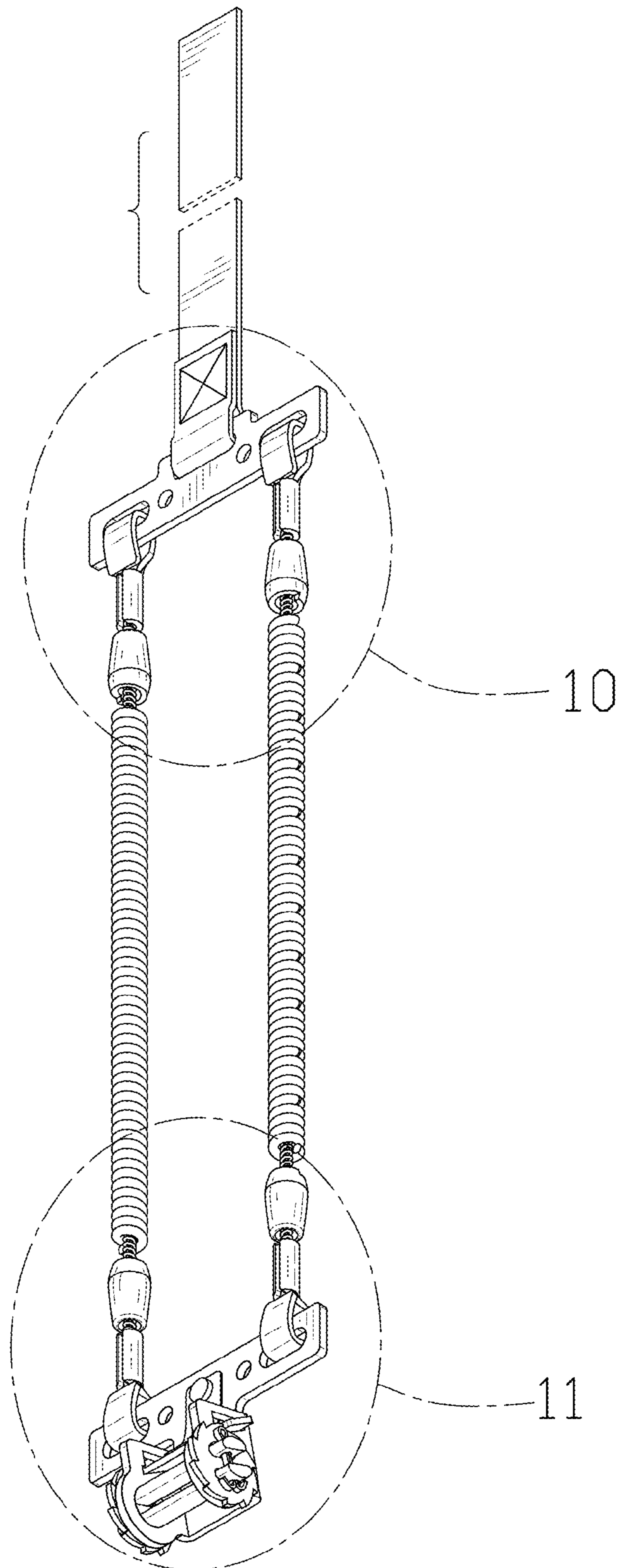


FIG. 2

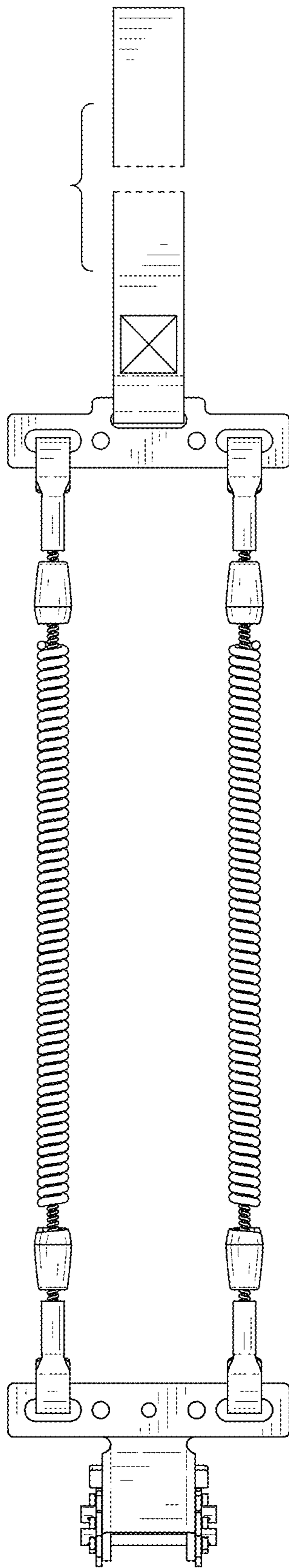


FIG. 3





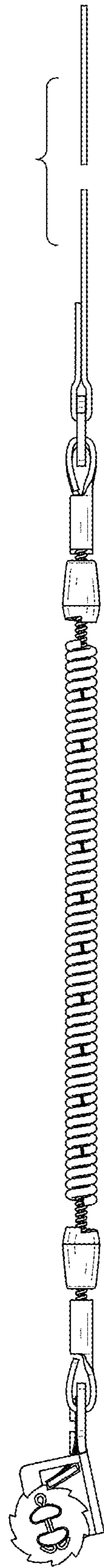


FIG. 5

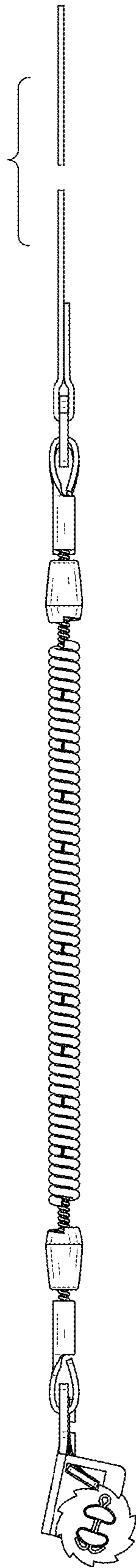


FIG. 6



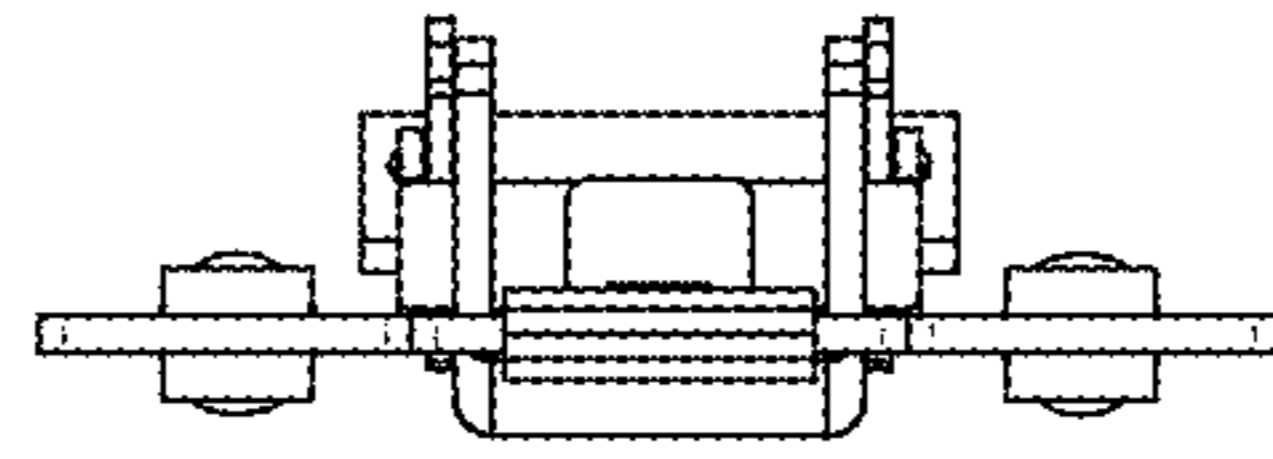


FIG. 7

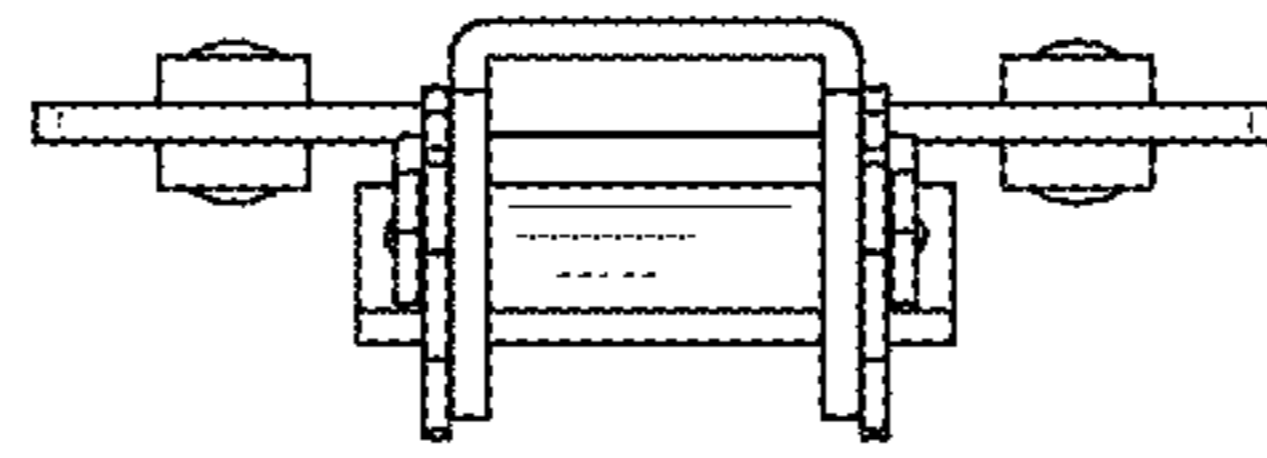


FIG. 8

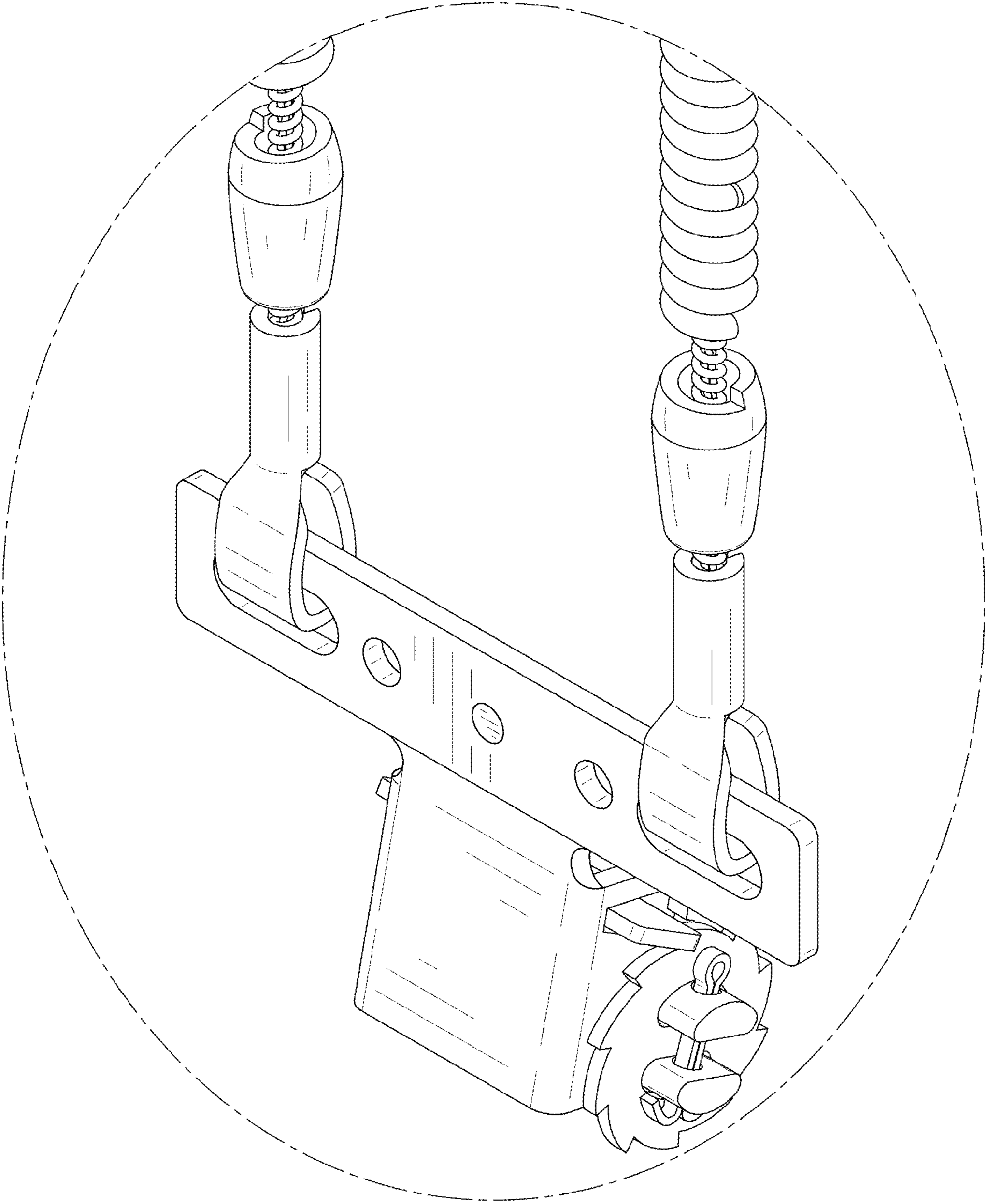


FIG. 9

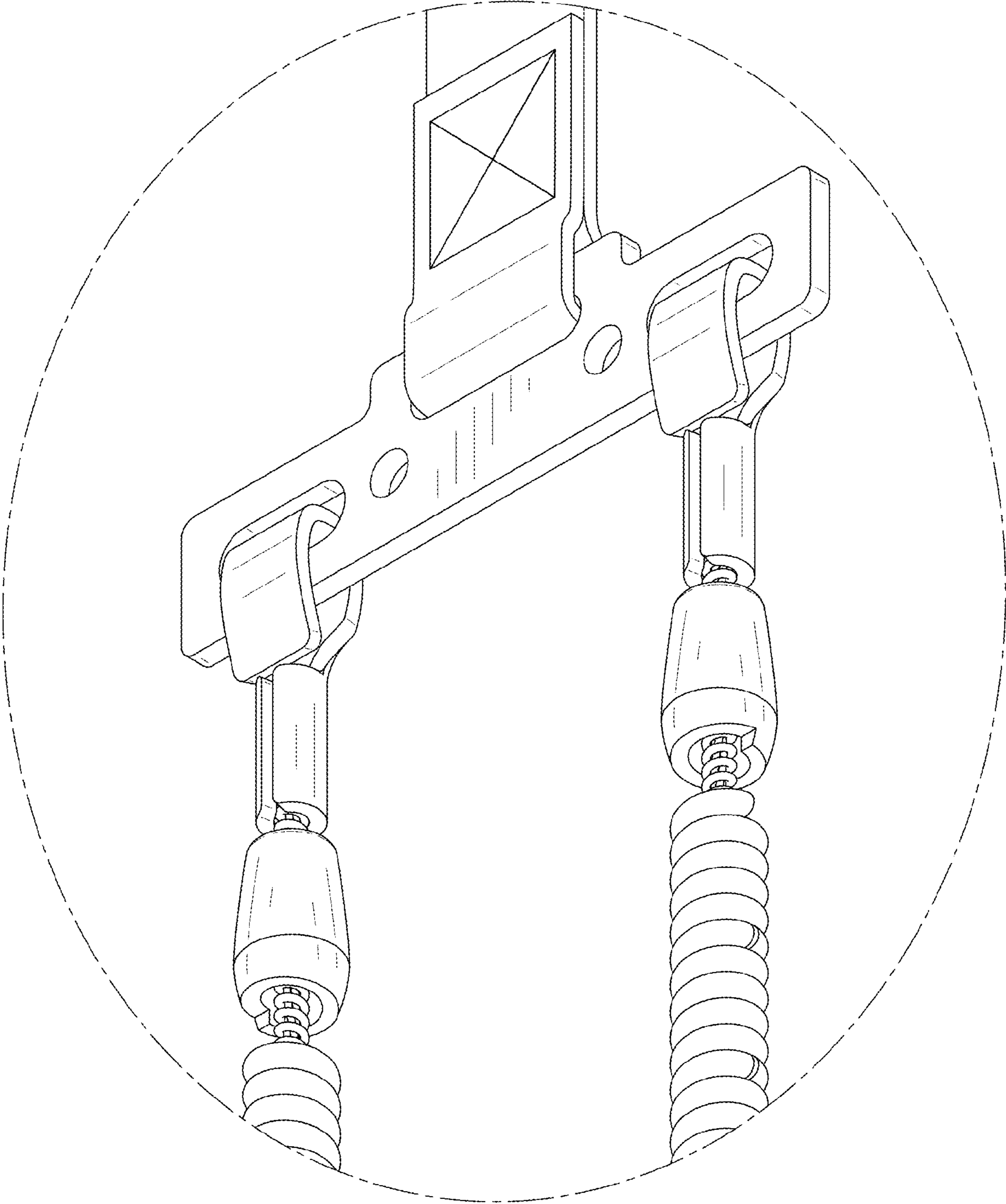


FIG. 10

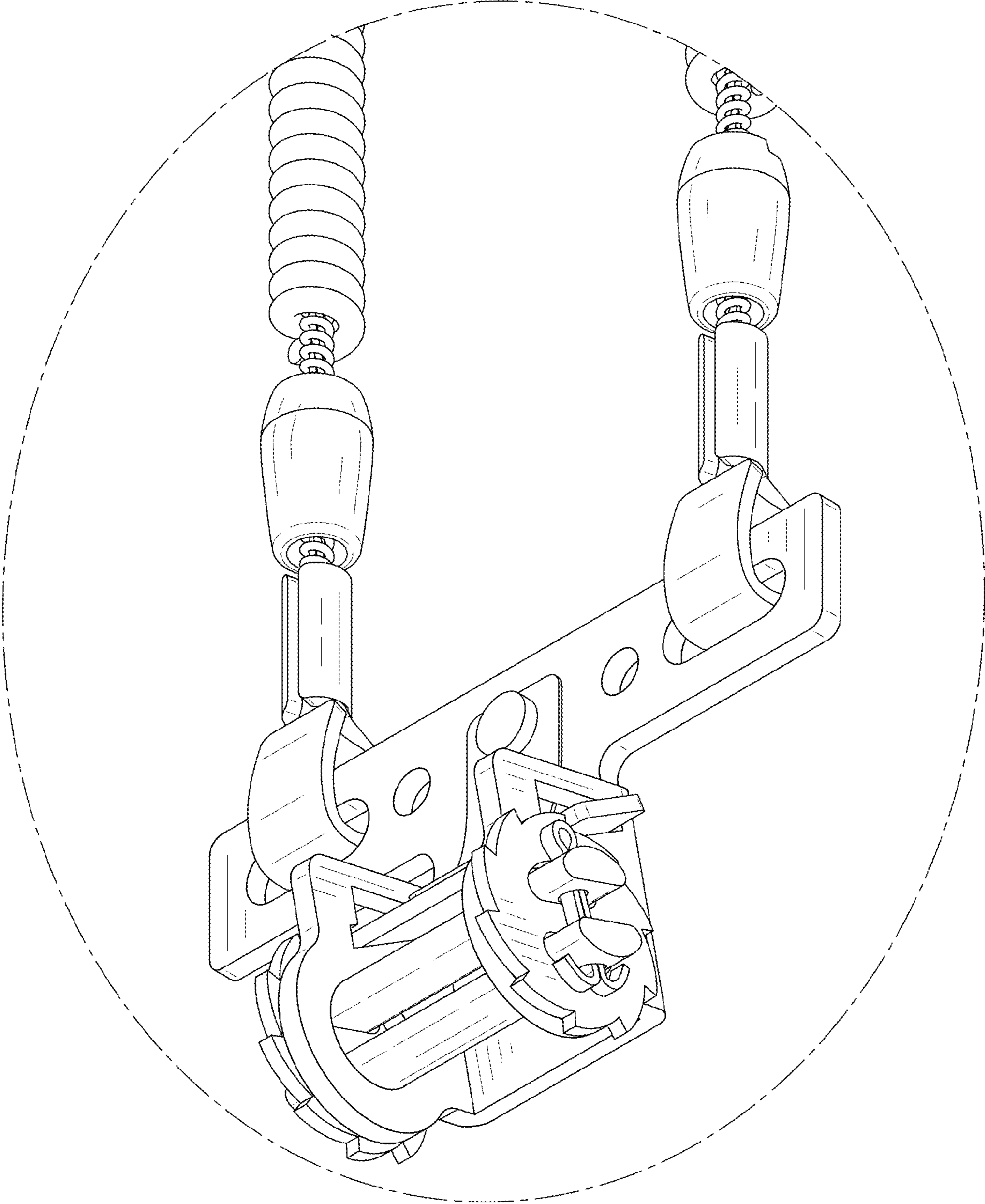


FIG. 11