



US00D952539S

(12) **United States Design Patent** (10) **Patent No.:** **US D952,539 S**  
**Shen et al.** (45) **Date of Patent:** **\*\* May 24, 2022**

(54) **BICYCLE CARRIER**  
(71) Applicant: **AWAKEN INNOVATION CO LTD.,**  
Taipei (TW)  
(72) Inventors: **Shih-Chieh Shen, Taipei (TW);**  
**Chun-Yi Hsieh, Taipei (TW)**  
(73) Assignee: **AWAKEN INNOVATION CO LTD.,**  
Taipei (TW)  
(\*\*) Term: **15 Years**  
(21) Appl. No.: **29/764,003**  
(22) Filed: **Dec. 28, 2020**  
(51) **LOC (13) Cl.** ..... **12-11**  
(52) **U.S. Cl.**  
USPC ..... **D12/407**  
(58) **Field of Classification Search**  
USPC ..... D12/407, 408, 406, 402, 412, 414, 115,  
D12/162  
CPC .. B60R 9/06; B60R 9/10; B60R 9/045; B60R  
9/048  
See application file for complete search history.

D655,238 S \* 3/2012 Vu ..... D12/406  
D687,763 S \* 8/2013 Hany ..... D12/408  
9,333,822 B1 \* 5/2016 LaFave ..... B60R 9/06  
D784,245 S \* 4/2017 Mayers ..... D12/115  
9,663,040 B1 \* 5/2017 Shen ..... B60R 9/10  
D797,008 S \* 9/2017 Borkholder ..... D12/162  
9,789,741 B1 \* 10/2017 Marling ..... B60R 9/06  
9,802,549 B1 \* 10/2017 Shen ..... B60R 9/10  
10,183,627 B1 \* 1/2019 Liu ..... B60R 9/06  
D880,368 S \* 4/2020 Pinnell ..... D12/115  
10,703,296 B2 \* 7/2020 Gifford ..... F41J 9/22  
10,793,079 B1 \* 10/2020 Shen ..... B60D 1/241  
10,906,473 B1 \* 2/2021 Yu ..... B60R 9/06  
2007/0057001 A1 \* 3/2007 Wang ..... B60R 9/06  
224/570  
2012/0125965 A1 \* 5/2012 Castro ..... B60R 9/06  
224/533  
2013/0264367 A1 \* 10/2013 Hill ..... B60R 9/10  
224/505

(Continued)

*Primary Examiner* — Michelle E. Wilson  
*Assistant Examiner* — Clese Moore, Jr.  
(74) *Attorney, Agent, or Firm* — Muncy, Geissler, Olds & Lowe, P.C.

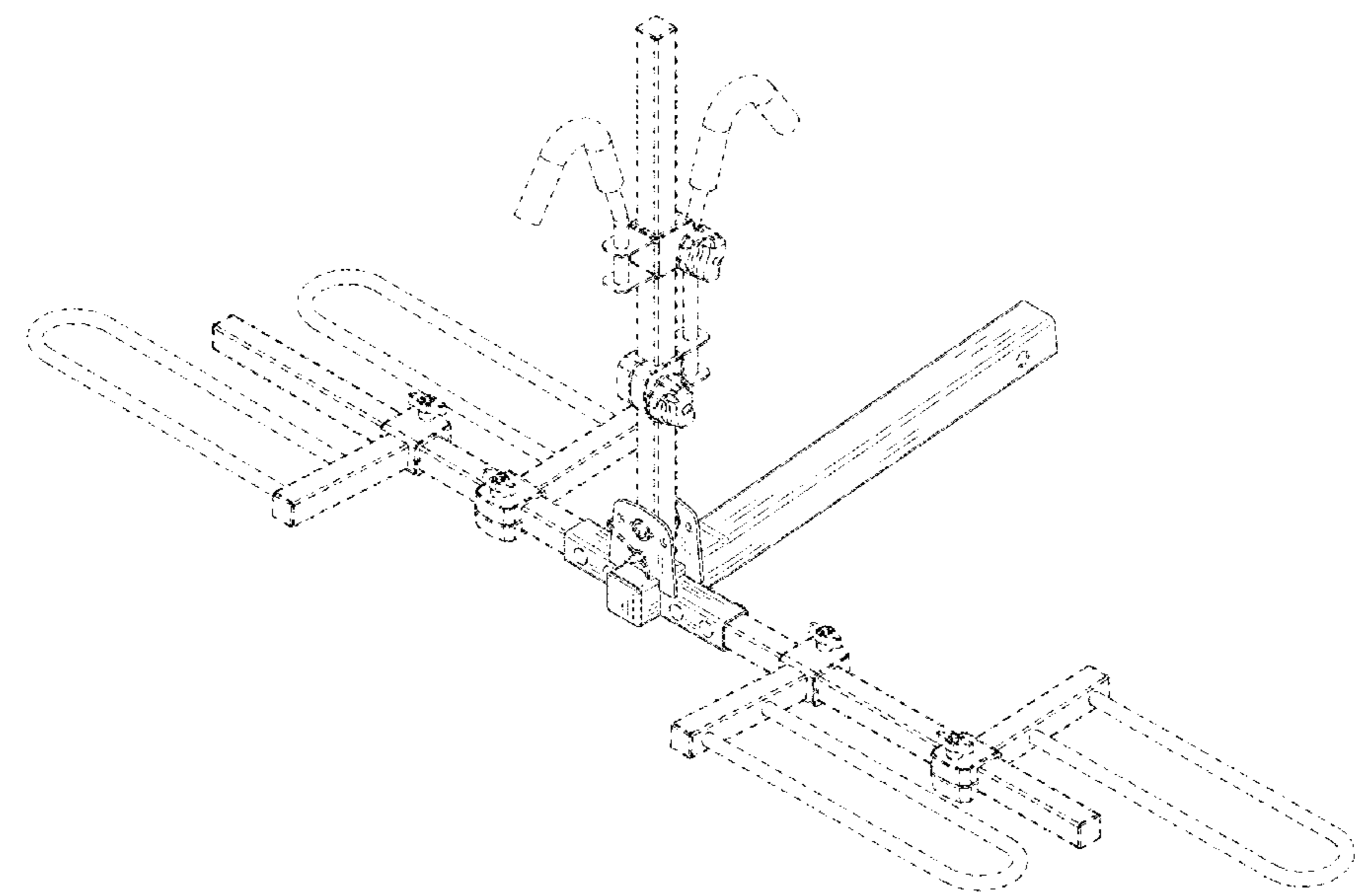
(57) **CLAIM**  
We claim the ornamental design for a bicycle carrier, as shown and described.

**DESCRIPTION**

FIG. 1 is a top, front, and right side perspective view of a bicycle carrier showing our new design; FIG. 2 is a front elevation view thereof; FIG. 3 is a rear elevation view thereof; FIG. 4 is a left side elevation view thereof; FIG. 5 is a right side elevation view thereof; FIG. 6 is a top plan view thereof; and, FIG. 7 is a bottom plan view. The broken lines in the drawings illustrate portions of the bicycle carrier which form no part of the claimed design.

**1 Claim, 7 Drawing Sheets**

(56) **References Cited**  
U.S. PATENT DOCUMENTS  
D308,846 S \* 6/1990 Eckhart ..... D12/408  
D325,553 S \* 4/1992 Weiner ..... D12/408  
D337,087 S \* 7/1993 Peterman ..... D12/408  
5,458,389 A \* 10/1995 Young ..... B60R 9/06  
224/500  
5,489,110 A \* 2/1996 Van Dusen ..... B60R 9/06  
224/532  
D377,334 S \* 1/1997 Weiler ..... D12/408  
6,129,371 A \* 10/2000 Powell ..... B60R 9/06  
280/491.5  
D467,221 S \* 12/2002 Walstrom ..... D12/408  
6,491,195 B1 \* 12/2002 McLemore ..... B60R 9/10  
224/521



(56)

**References Cited**

U.S. PATENT DOCUMENTS

2018/0134229 A1\* 5/2018 Shen ..... B60R 9/06

\* cited by examiner

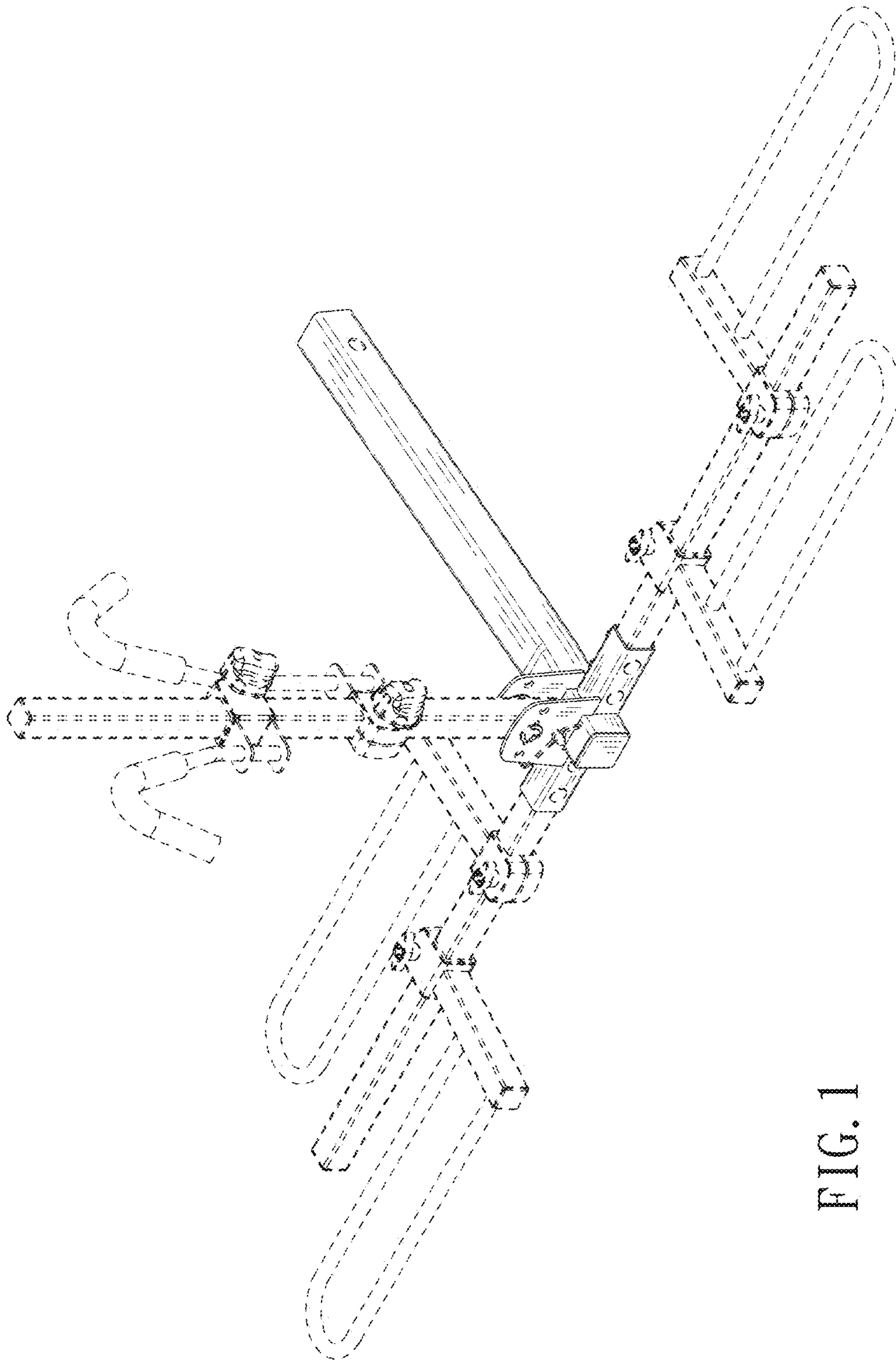


FIG. 1

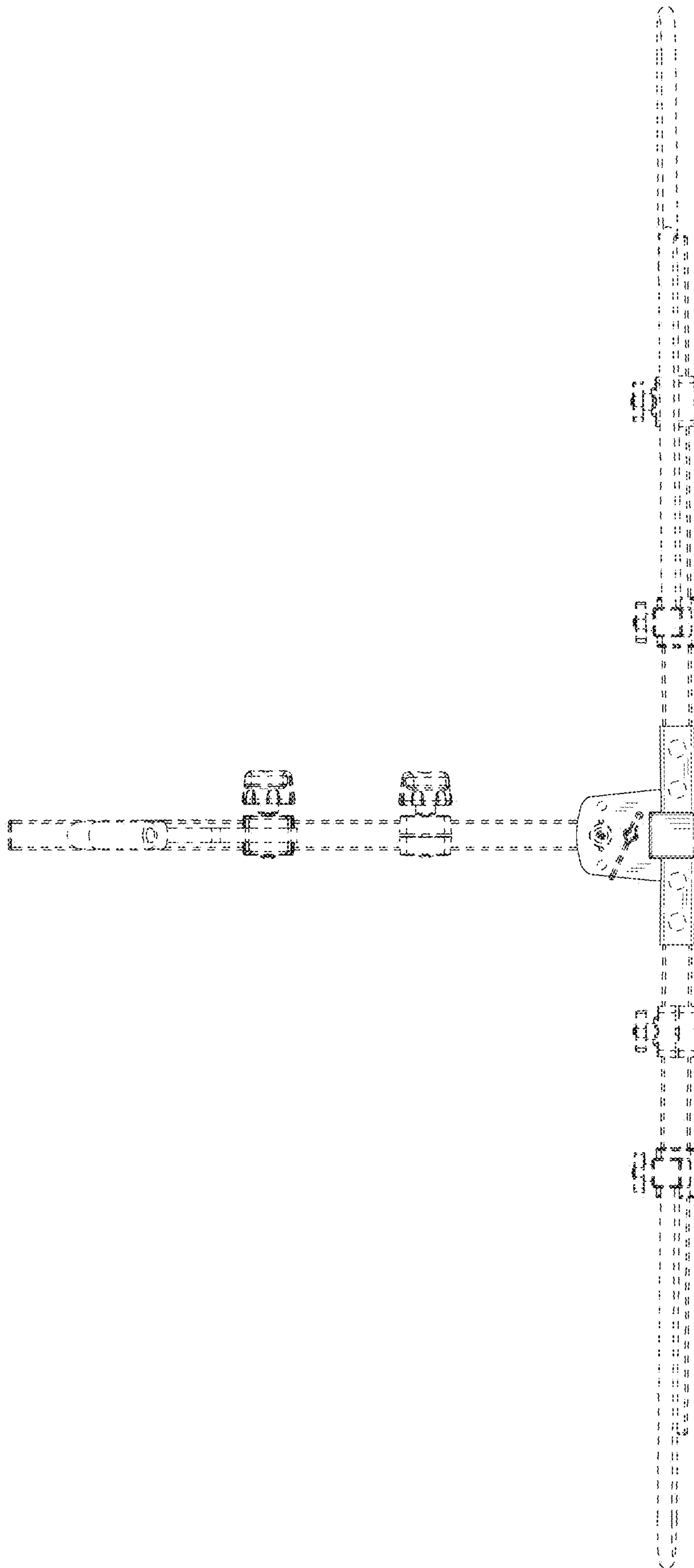


FIG. 2

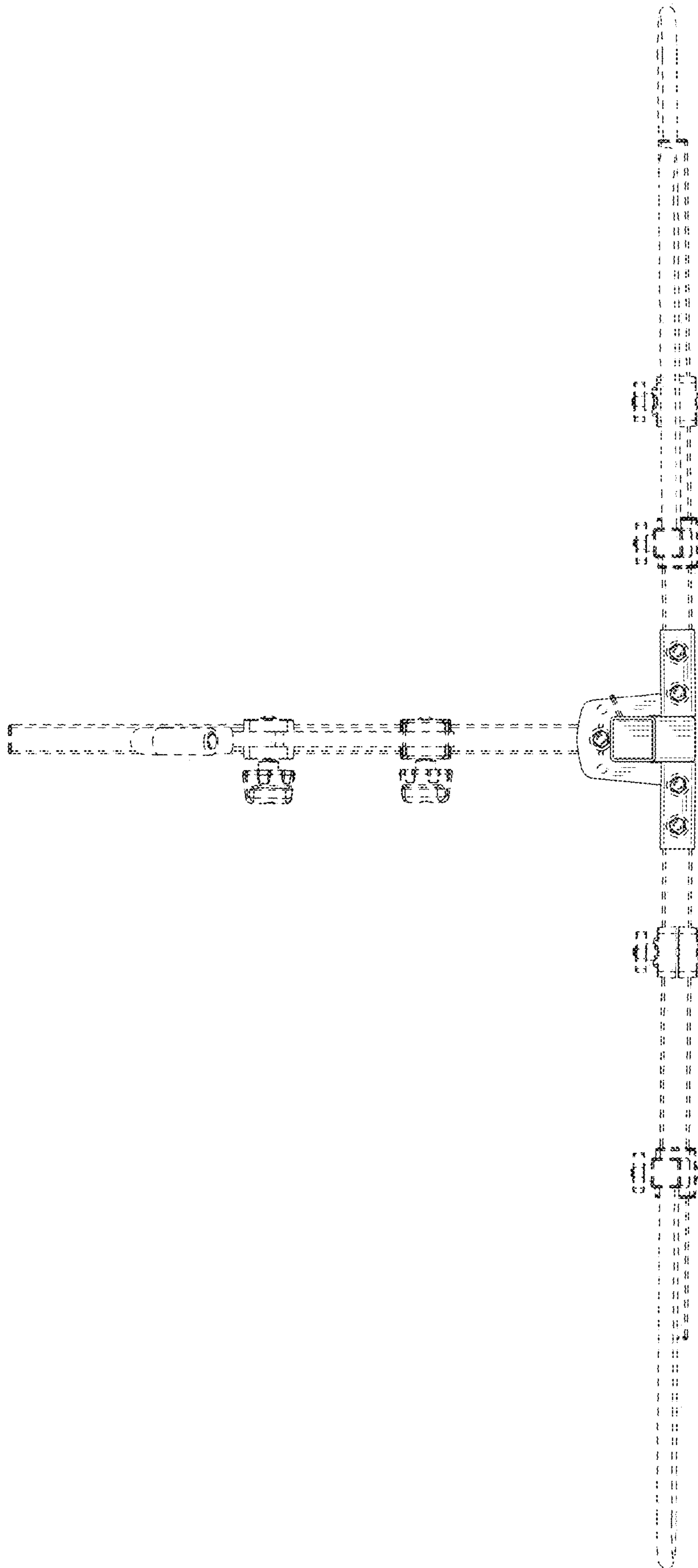


FIG. 3

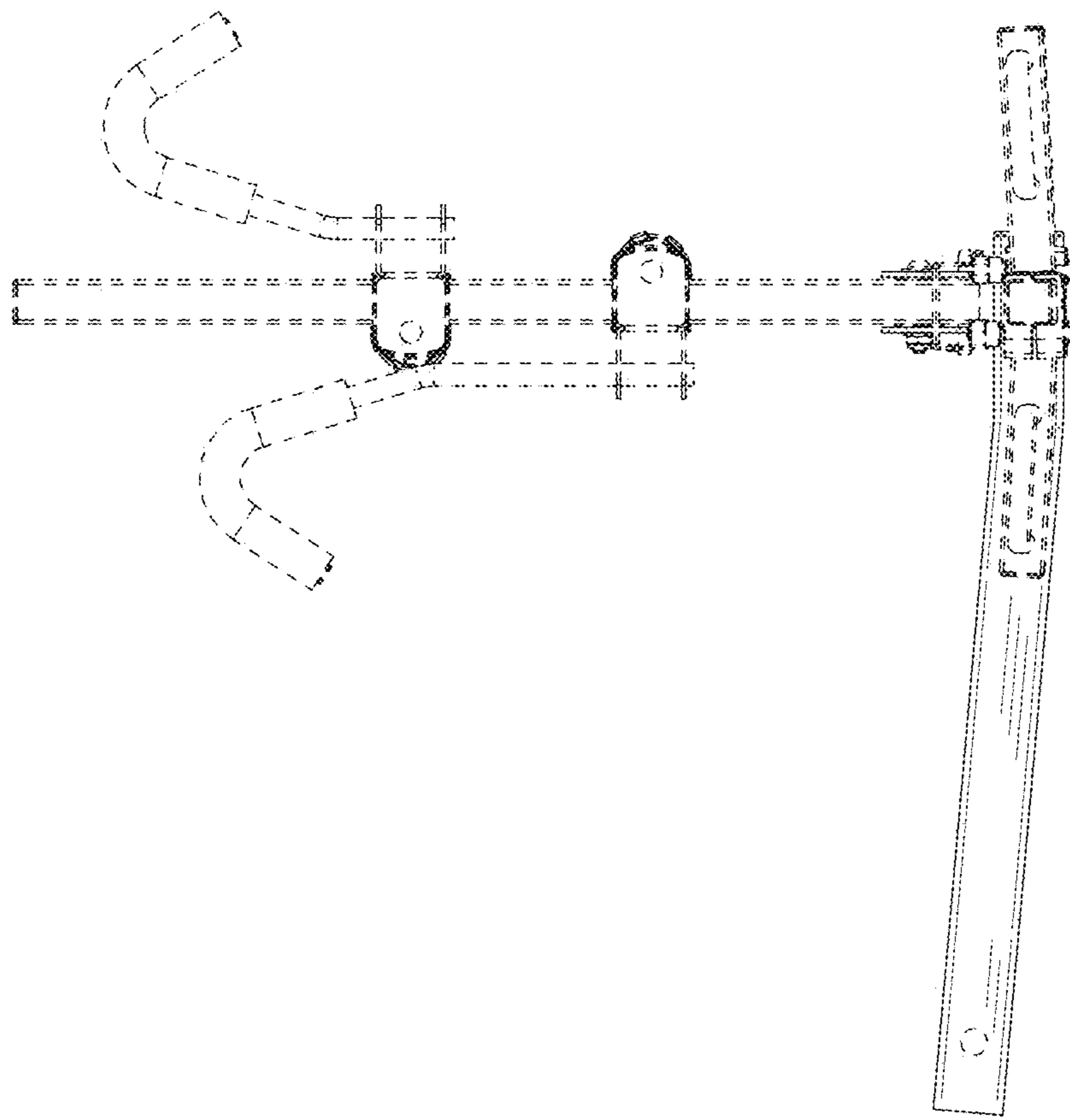


FIG. 4

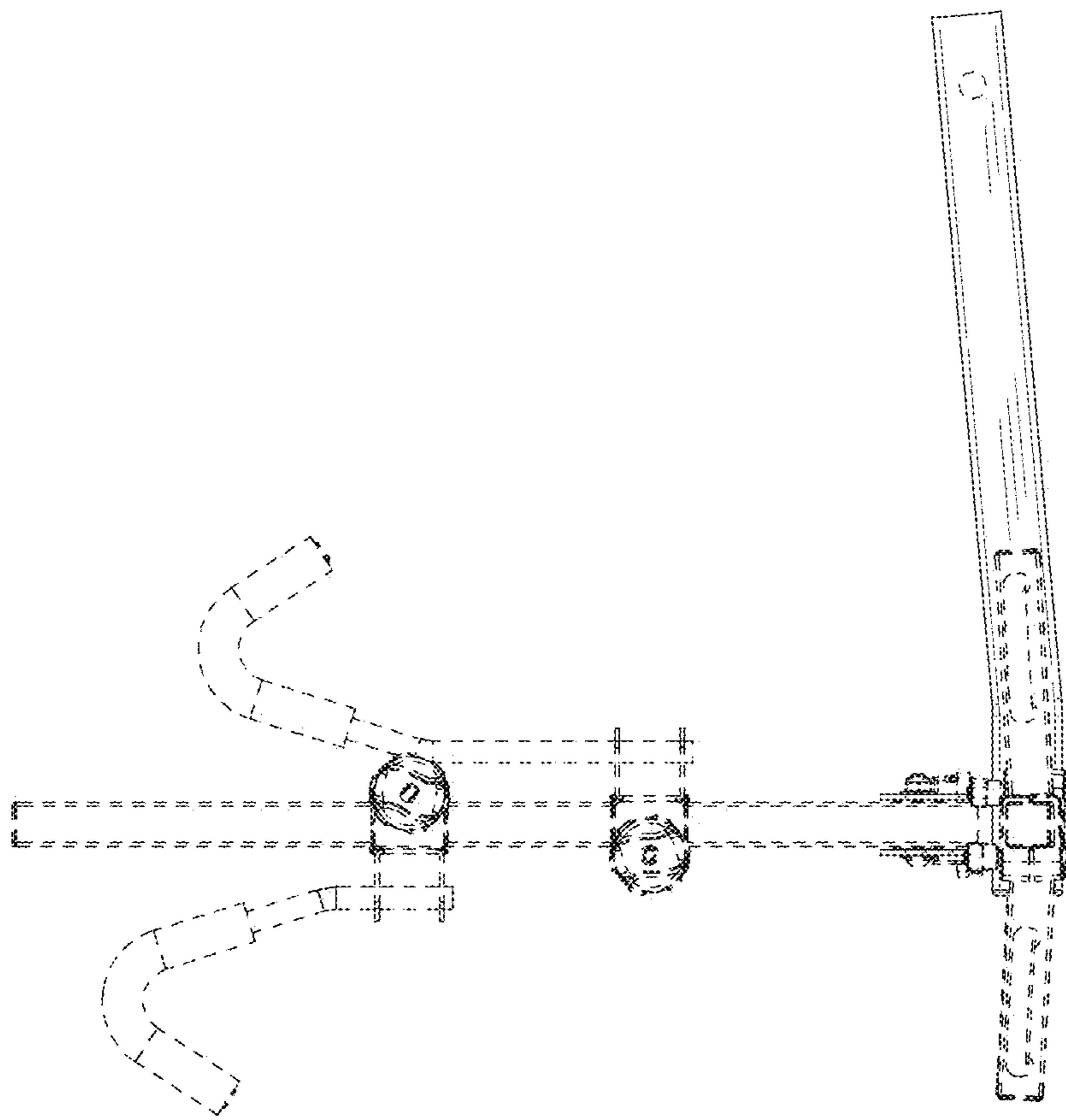


FIG. 5

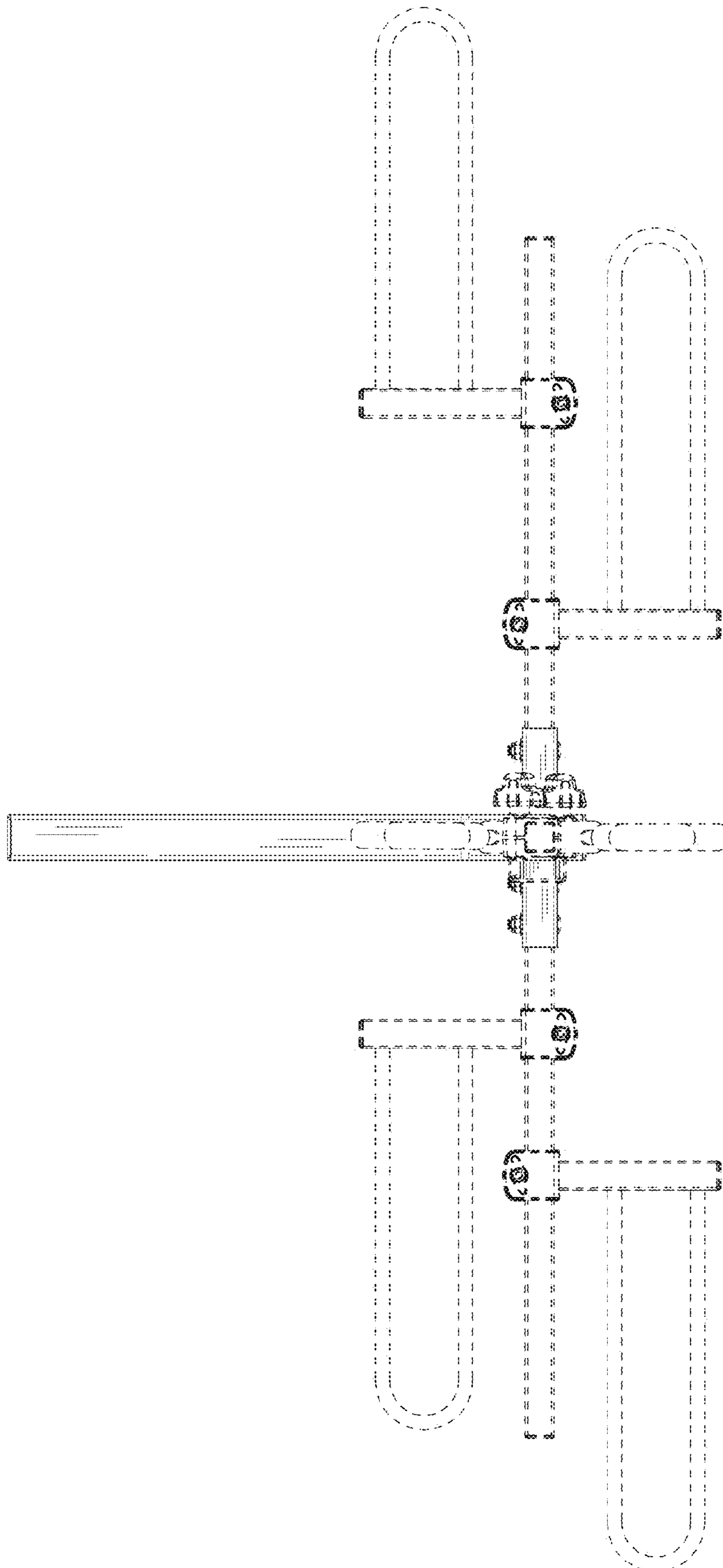


FIG. 6



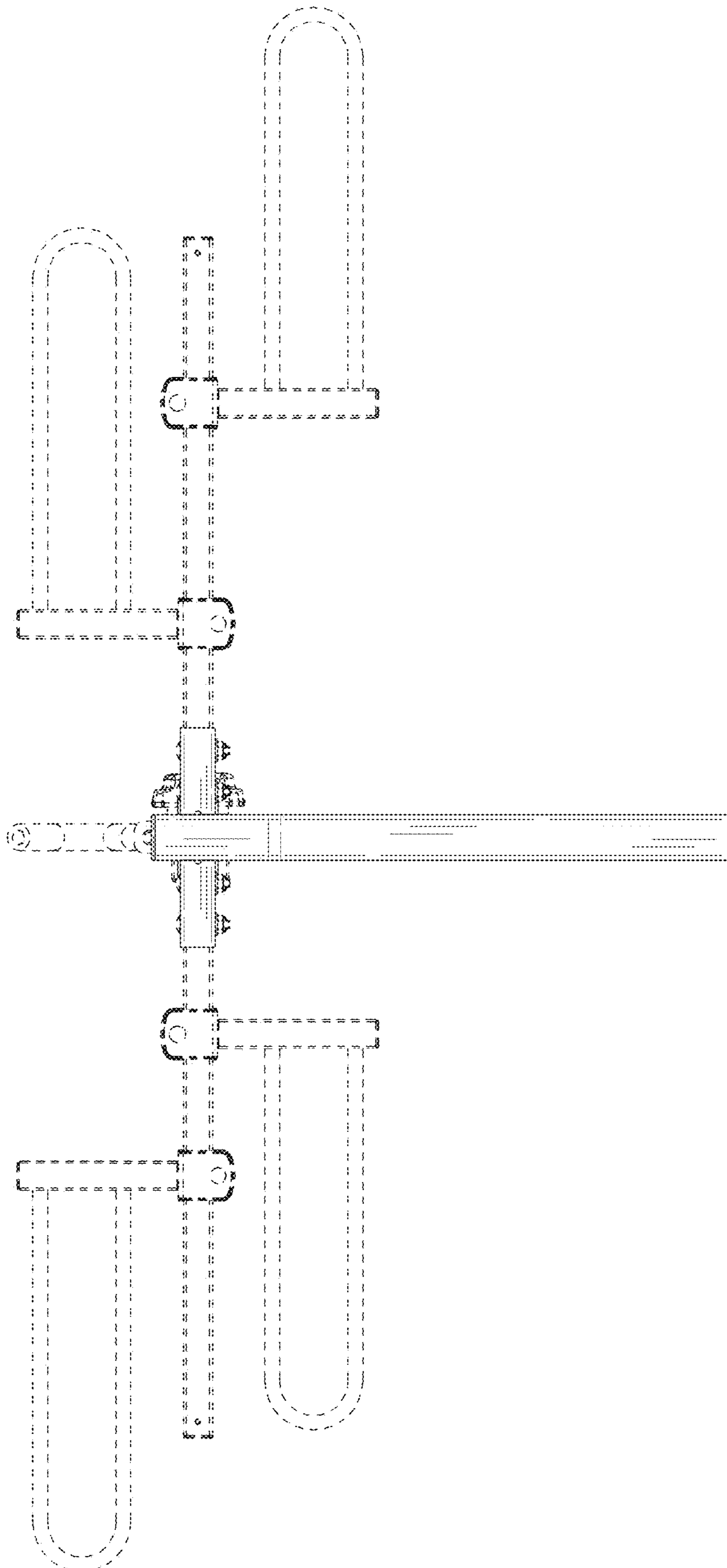


FIG. 7