



US00D952538S

(12) **United States Design Patent** (10) **Patent No.:** **US D952,538 S**
Sparks (45) **Date of Patent:** **** May 24, 2022**

(54) **VEHICLE COVERING KIT**
(71) Applicant: **Robert Sparks**, Everett, WA (US)
(72) Inventor: **Robert Sparks**, Everett, WA (US)
(**) Term: **15 Years**
(21) Appl. No.: **29/757,076**
(22) Filed: **Nov. 3, 2020**
(51) **LOC (13) Cl.** **12-16**
(52) **U.S. Cl.**
USPC **D12/401**
(58) **Field of Classification Search**
USPC D12/401-405, 181; D6/610, 611, 596,
D6/601-603, 615, 617, 621; D7/332,
D7/334-337
CPC ... B60J 7/11; B60J 1/2091; B60J 11/04; B60J
7/024; B60J 7/0435; B60J 7/19; E04H
15/08
See application file for complete search history.

10,086,802 B2 10/2018 Vaeth
D841,562 S * 2/2019 Beckies D12/401
D847,078 S * 4/2019 Rolfs D12/401
D863,197 S * 10/2019 Gordon D12/401
D928,693 S * 8/2021 Lettl D12/401
D930,551 S * 9/2021 Suckling D12/401
D930,552 S * 9/2021 Dowdey D12/401
2010/0083891 A1 * 4/2010 Russikoff B63B 17/02
114/361
2010/0200180 A1 8/2010 Lien
2011/0109116 A1 5/2011 Mitchell
2015/0231955 A1 8/2015 Barnes, Jr.

* cited by examiner

Primary Examiner — Katrina A Betton

(57) **CLAIM**

The ornamental design for a vehicle covering kit, as shown and described.

DESCRIPTION

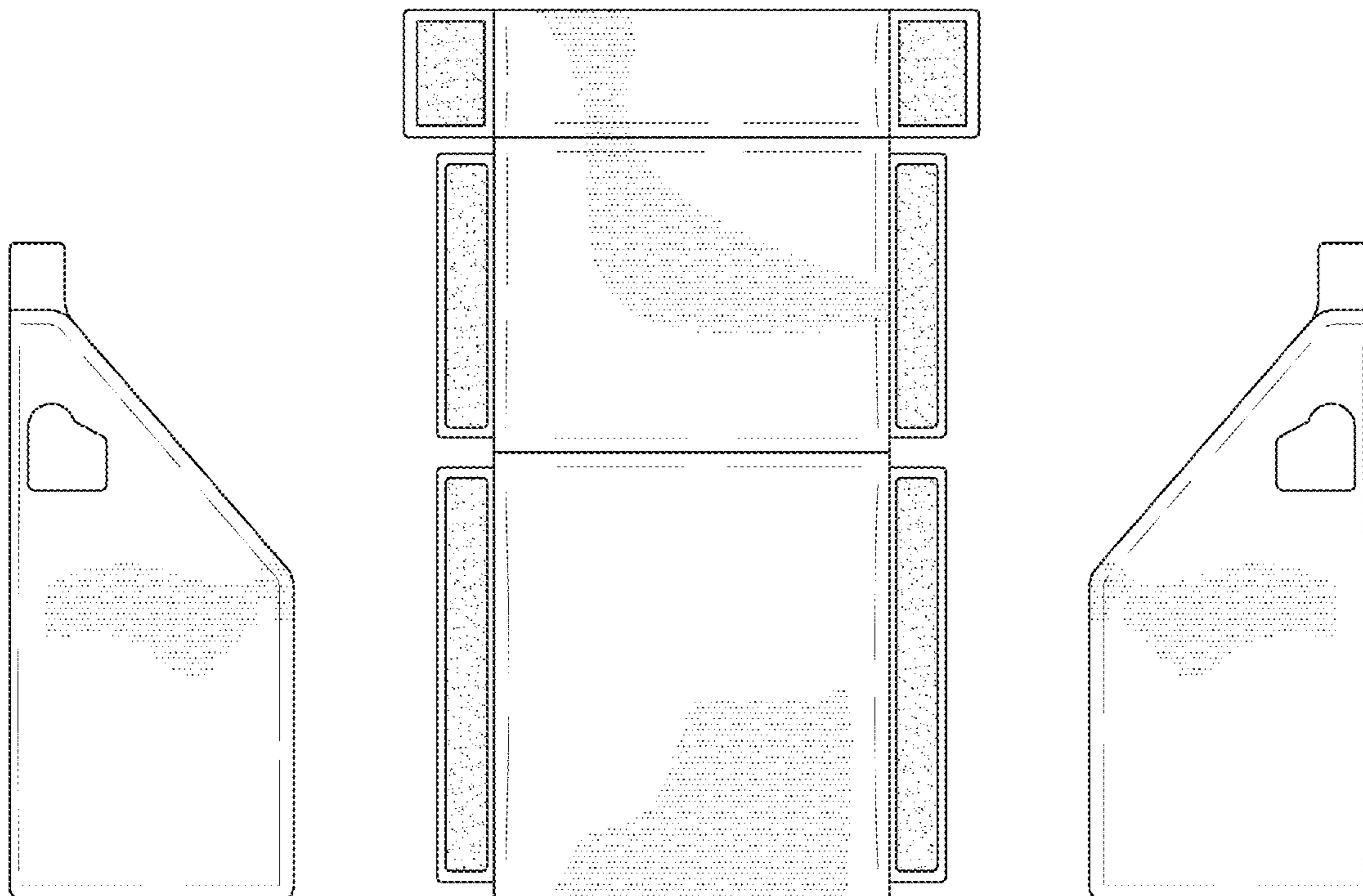
FIG. 1 is a front view of a vehicle covering kit showing my new design;
FIG. 2 is a rear view of the vehicle covering kit;
FIG. 3 is a right side view of the vehicle covering kit;
FIG. 4 is a left side view of the vehicle covering kit;
FIG. 5 is a top view of the vehicle covering kit;
FIG. 6 is a bottom view of the vehicle covering kit;
FIG. 7 is a top front side perspective view of the vehicle covering kit; and,
FIG. 8 is a side view of the vehicle covering kit in use in an assembled position.
The broken lines in FIG. 8 are illustrative of environmental structure forming no part of the claimed design.

1 Claim, 6 Drawing Sheets

(56) **References Cited**

U.S. PATENT DOCUMENTS

4,317,250 A 3/1982 Shutts
4,940,276 A 7/1990 Madison
7,673,924 B1 3/2010 Lau
D639,229 S * 6/2011 van Voorst tot Voorst
D12/401
D665,334 S 8/2012 Lien
D727,243 S * 4/2015 Matsumura D12/401
D727,244 S * 4/2015 Hashimoto D12/401
D733,033 S * 6/2015 Rohr D12/401
D776,601 S * 1/2017 McDonald, II D12/401
D832,185 S * 10/2018 McIntire D12/401



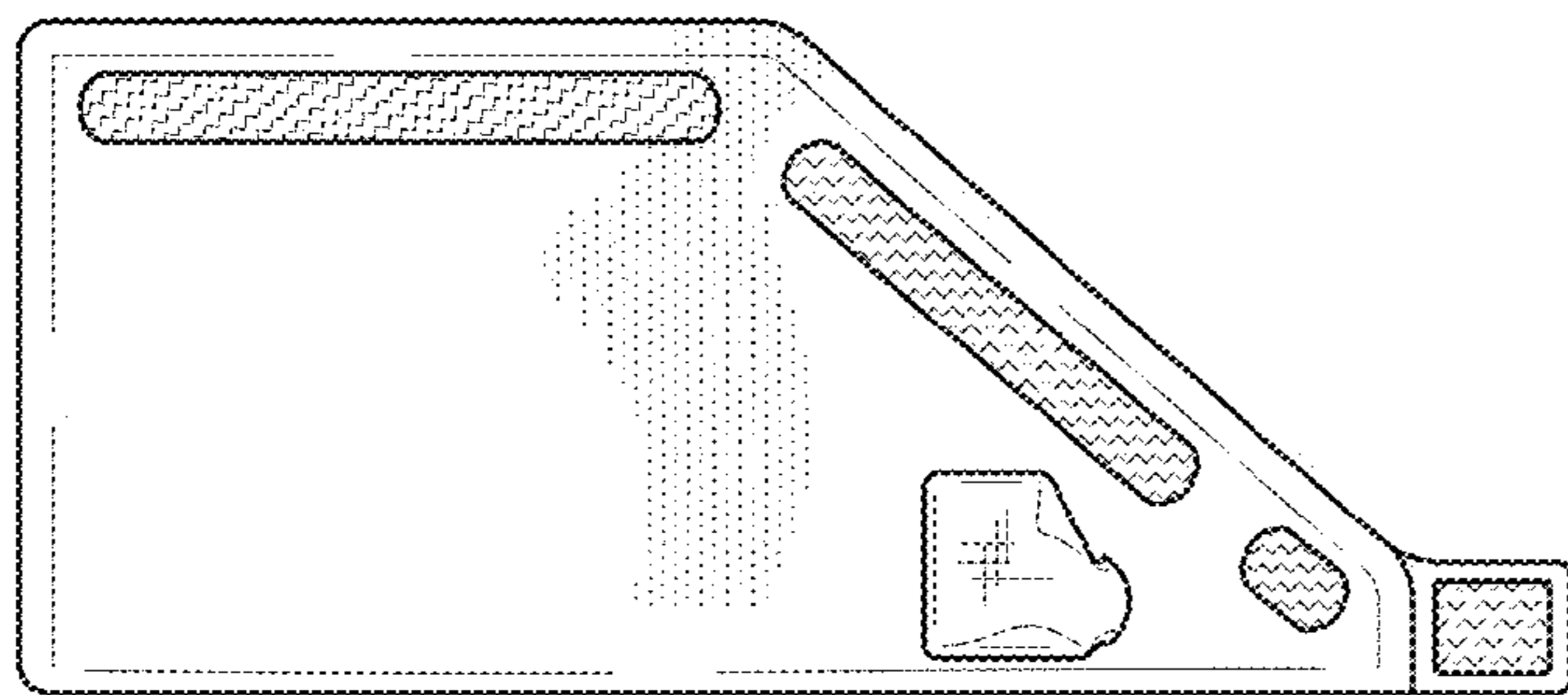
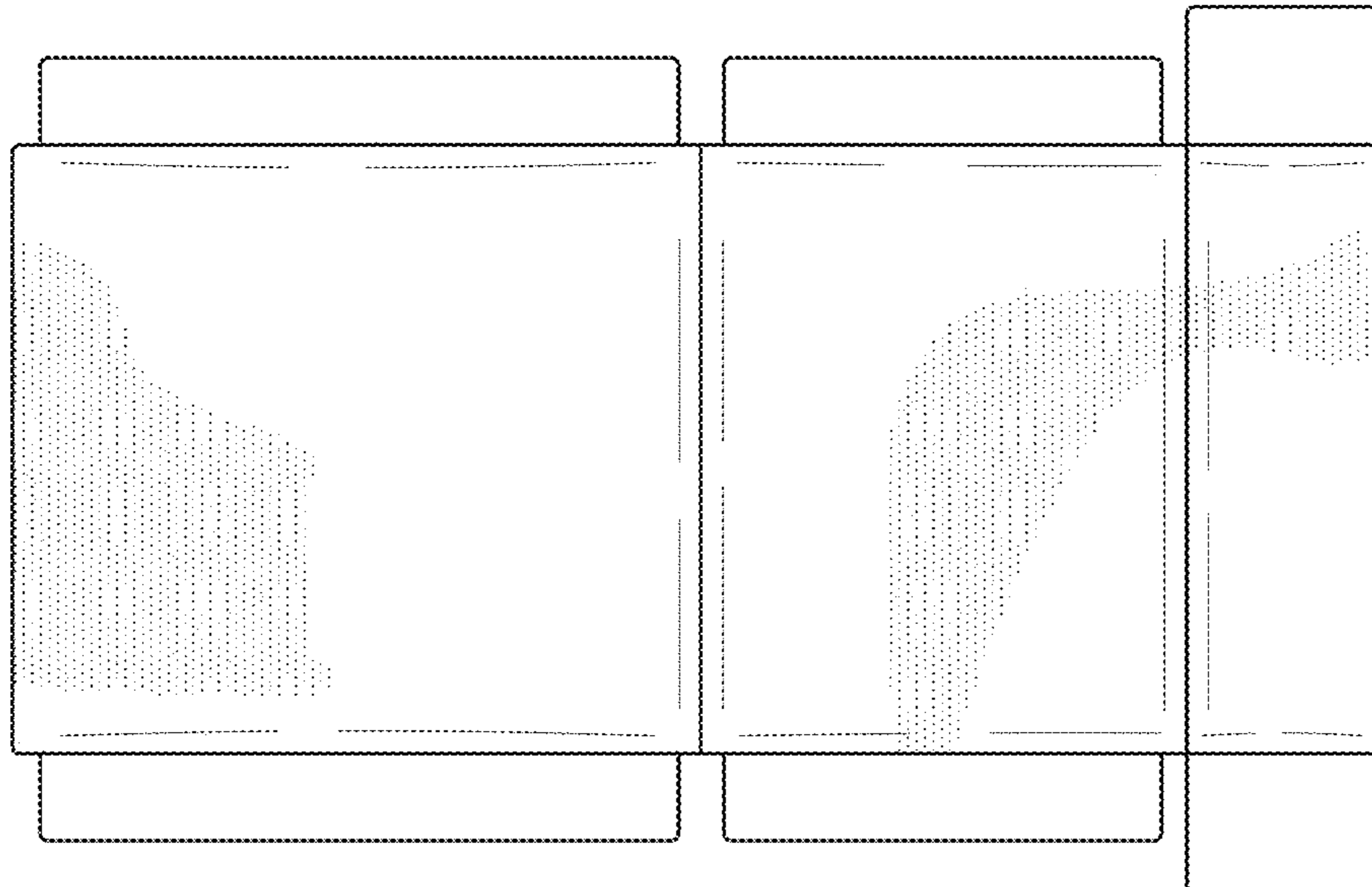
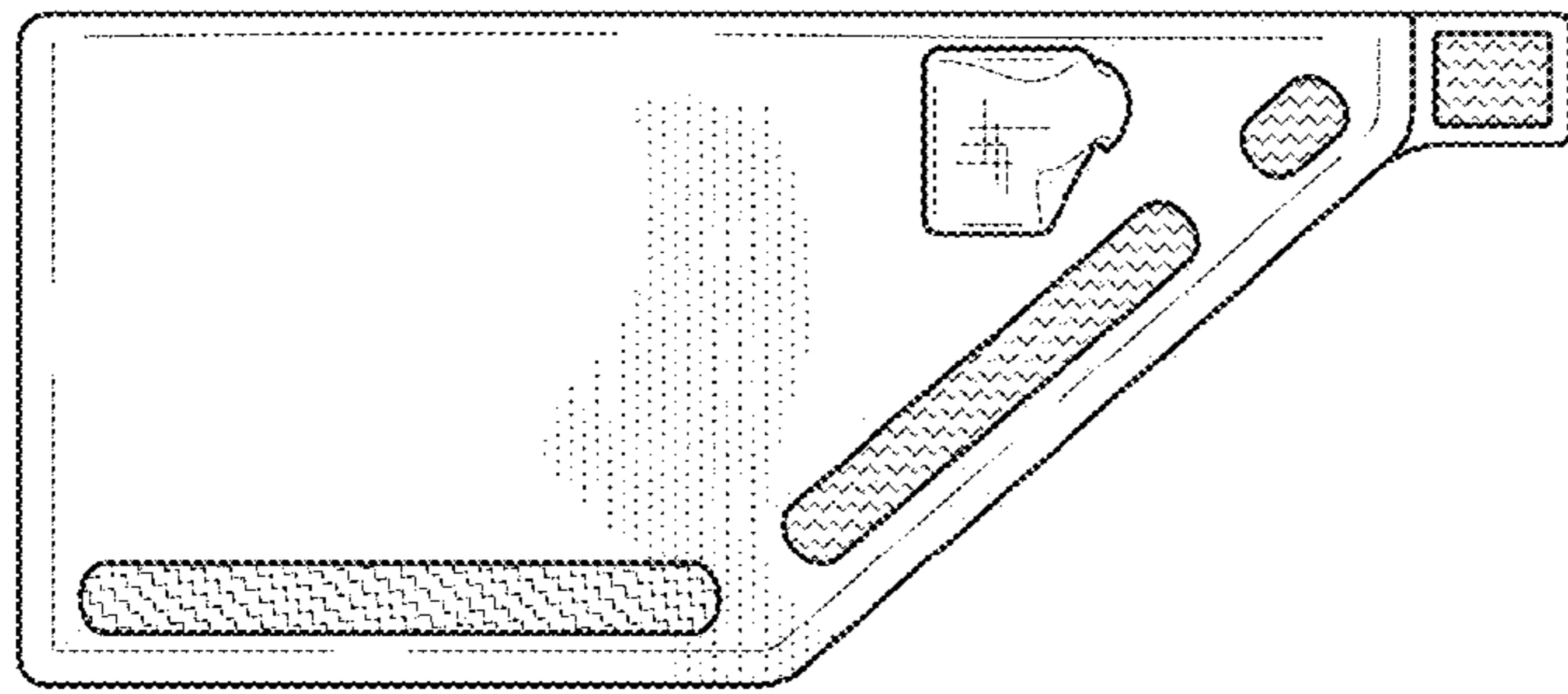


FIG. 1

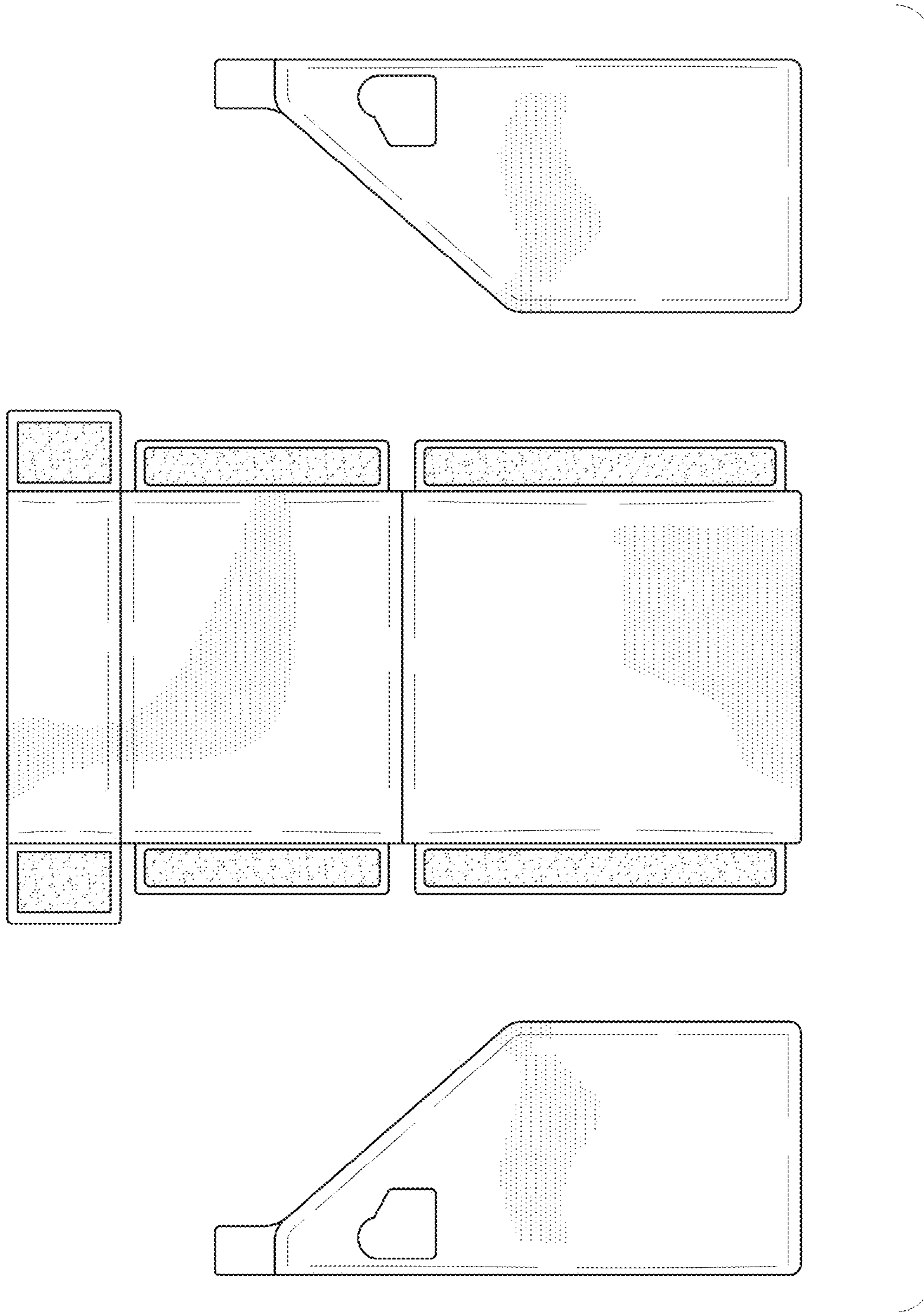


FIG. 2

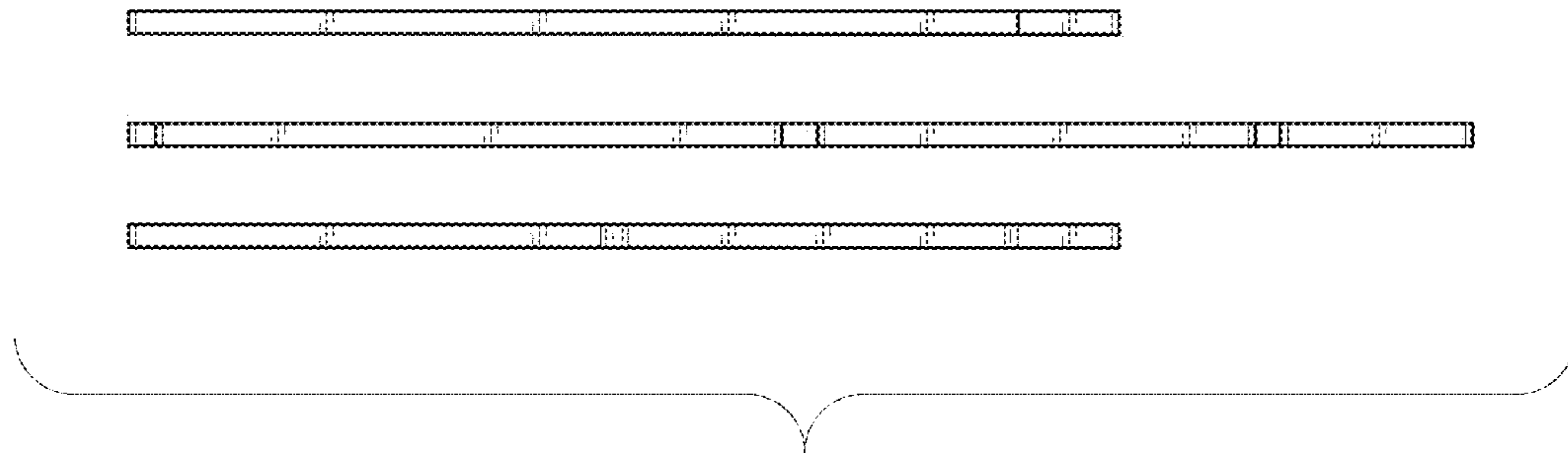


FIG. 4

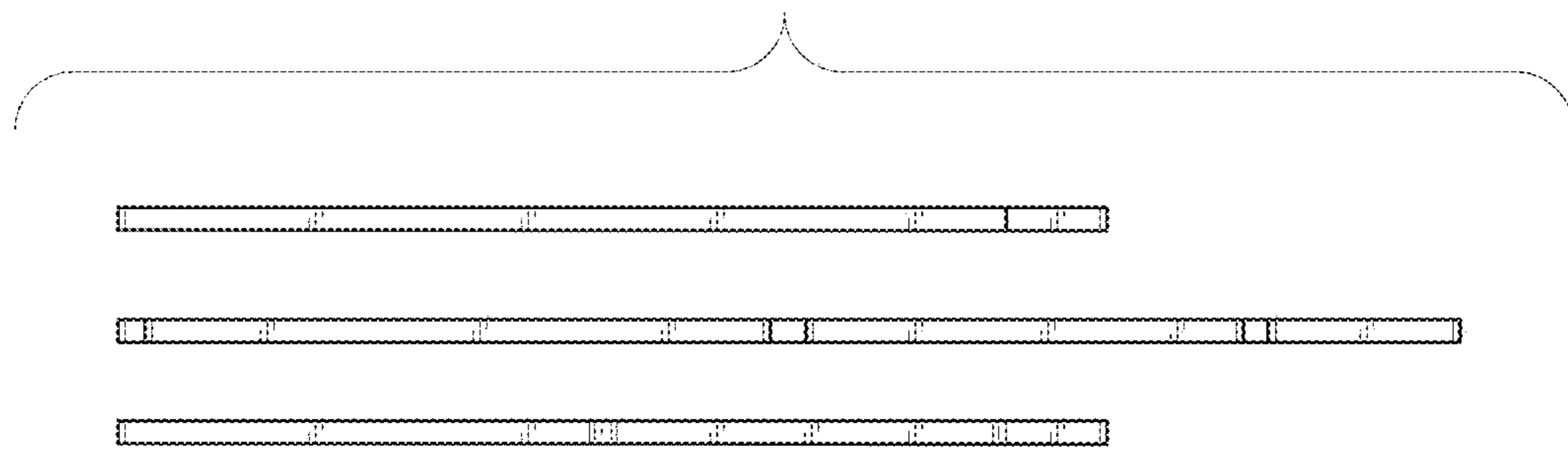


FIG. 3

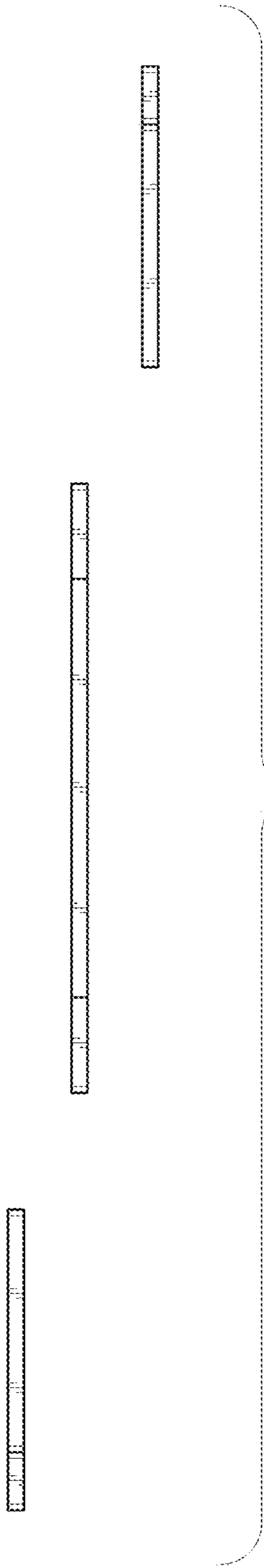


FIG. 5

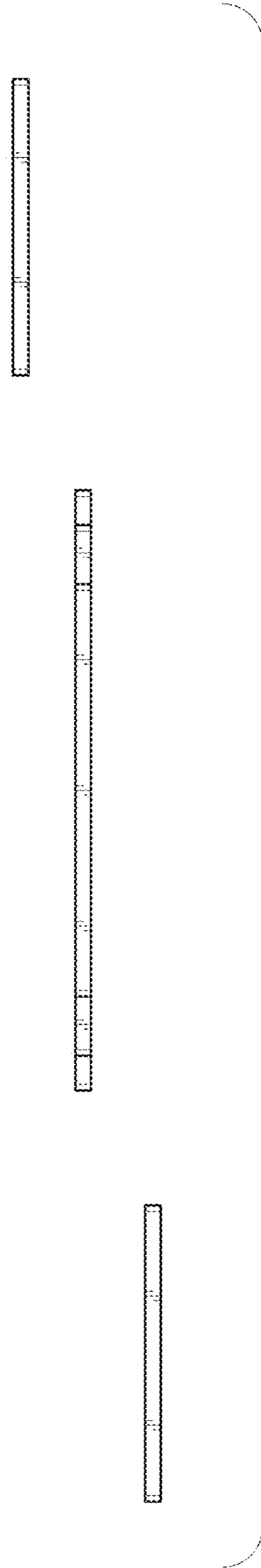


FIG. 6

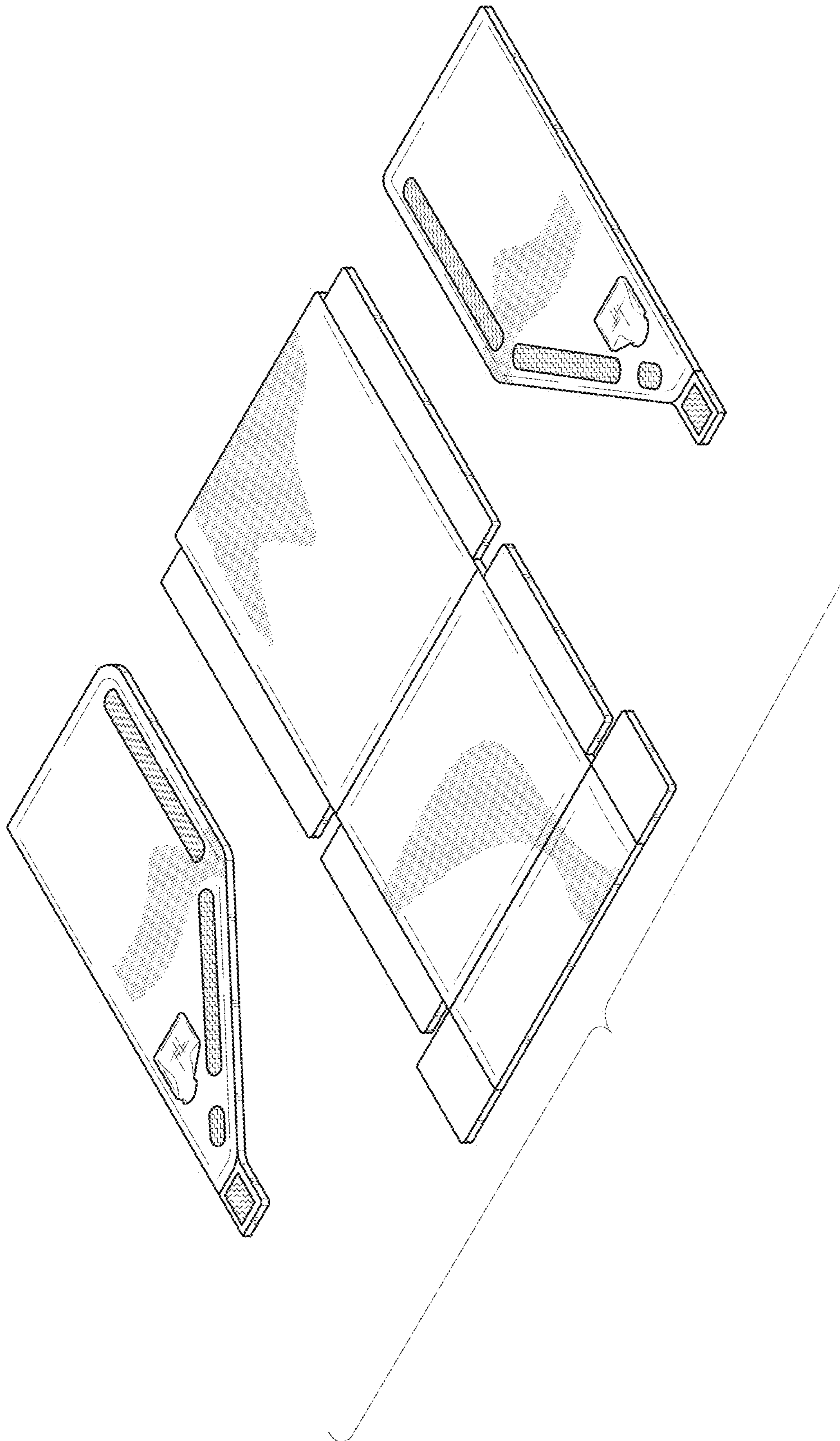


FIG. 7

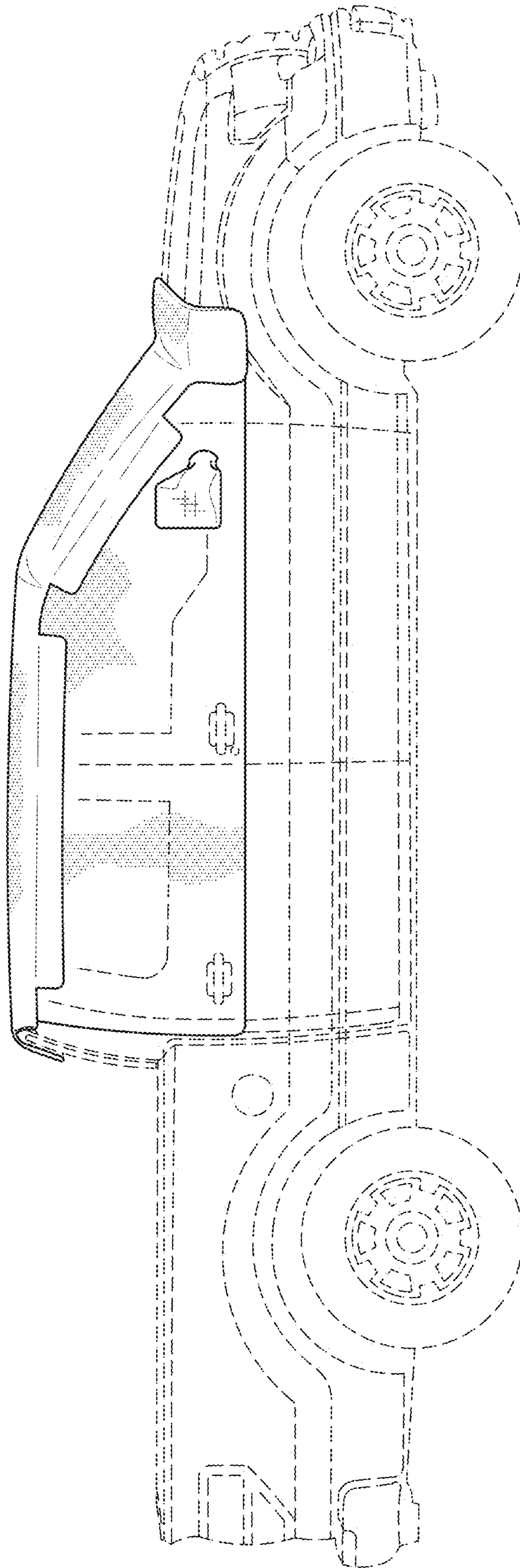


FIG. 8