



US00D952537S

(12) **United States Design Patent**
Borkholder

(10) **Patent No.:** **US D952,537 S**

(45) **Date of Patent:** **** May 24, 2022**

(54) **STEP**

(71) Applicant: **Gen-Y Creations, LLC**, Nappanee, IN (US)

(72) Inventor: **Carl J. Borkholder**, Nappanee, IN (US)

(**) Term: **15 Years**

(21) Appl. No.: **29/767,885**

(22) Filed: **Jan. 26, 2021**

(51) **LOC (13) Cl.** **12-16**

(52) **U.S. Cl.**
USPC **D12/203**

(58) **Field of Classification Search**
USPC D12/203.89, 98, 314, 162, 190, 196
CPC .. B60R 3/002; B60R 3/02; B60R 3/00; B60R 3/005; B60R 3/007
See application file for complete search history.

(56) **References Cited**

U.S. PATENT DOCUMENTS

D788,669 S *	6/2017	Guo	D12/203
D796,405 S *	9/2017	Atkins	D12/203
D815,003 S *	4/2018	MacNeil	D12/203
D835,020 S *	12/2018	MacNeil	D12/203
D839,810 S *	2/2019	Chen	D12/203
10,202,011 B2 *	2/2019	MacNeil	B29C 45/1671
D847,061 S *	4/2019	MacNeil	D12/203
D857,566 S *	8/2019	Guo	D12/162
10,464,491 B1 *	11/2019	Masanek, Jr.	B60D 1/58
D875,014 S *	2/2020	Chen	D12/203

OTHER PUBLICATIONS

“GH-13052X—Gen-Y Rebel Hitch Steps” GEN-Y-HITCH., posted date May 24, 2021 [online], [retrieved on Feb. 10, 2022]. Retrieved

from the Internet <URL:https://www.summitracing.com/parts/gny-gh-13052x> (Year: 2021).*

“Serrated Hitch Step” Gen-Y-Hitch., posted date Oct. 7, 2019 [online], [retrieved on Feb. 10, 2022]. Retrieved from the Internet <URL:https://genyhitch.com/product/serrated-hitch-step/?gclid=EAlalQobChMI64X8t4j29QIVQsvlCh1VjgR_EAAYASAAEgJABvD_BwE> (Year: 2019).*

“2” Hitch Step GH-035 Hitch Step” GEN-Y-HITCH., posted date Oct. 25, 2017 [online], [retrieved on Feb. 10, 2022]. Retrieved from the Internet <URL:https://www.amazon.com/hitch-Step-GH-035-Hitch-serrated/dp/B016FJ68C8?ref_=ast_sto_dp> (Year: 2015).*

* cited by examiner

Primary Examiner — Darlington Ly

Assistant Examiner — Nasim Abdulaziz Ali

(57) **CLAIM**

The ornamental design for a step, as shown and described.

DESCRIPTION

FIG. 1 is a front perspective view of the step embodying my new design;

FIG. 2 is a rear perspective view thereof;

FIG. 3 is a front elevation view thereof;

FIG. 4 is a rear elevation view thereof;

FIG. 5 is a right side elevation thereof;

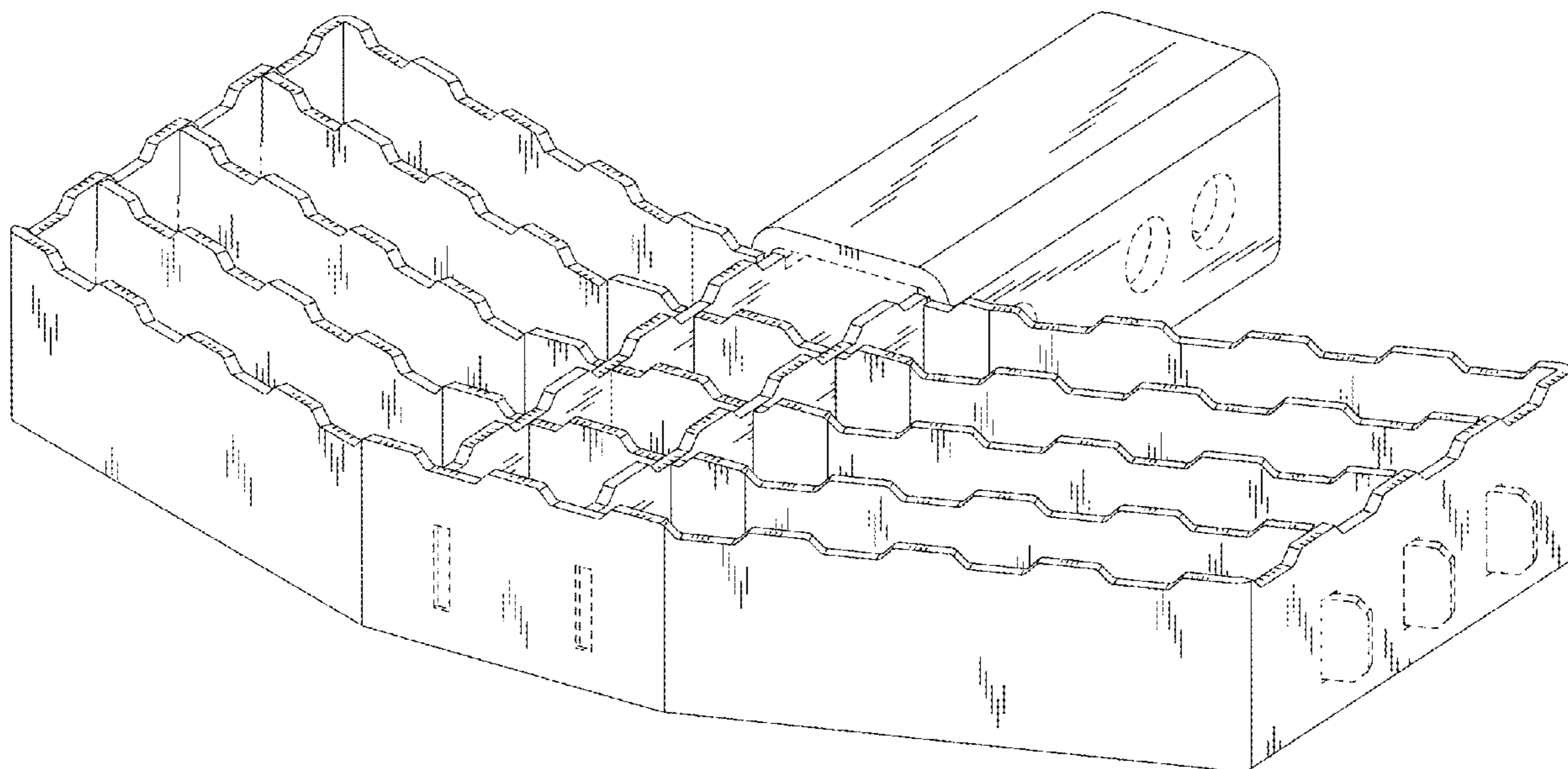
FIG. 6 is a left side elevation thereof;

FIG. 7 is a top plan view thereof; and,

FIG. 8 is a bottom plan thereof.

The broken lines in the drawings illustrate portions of the step that form no part of the claimed design.

1 Claim, 6 Drawing Sheets



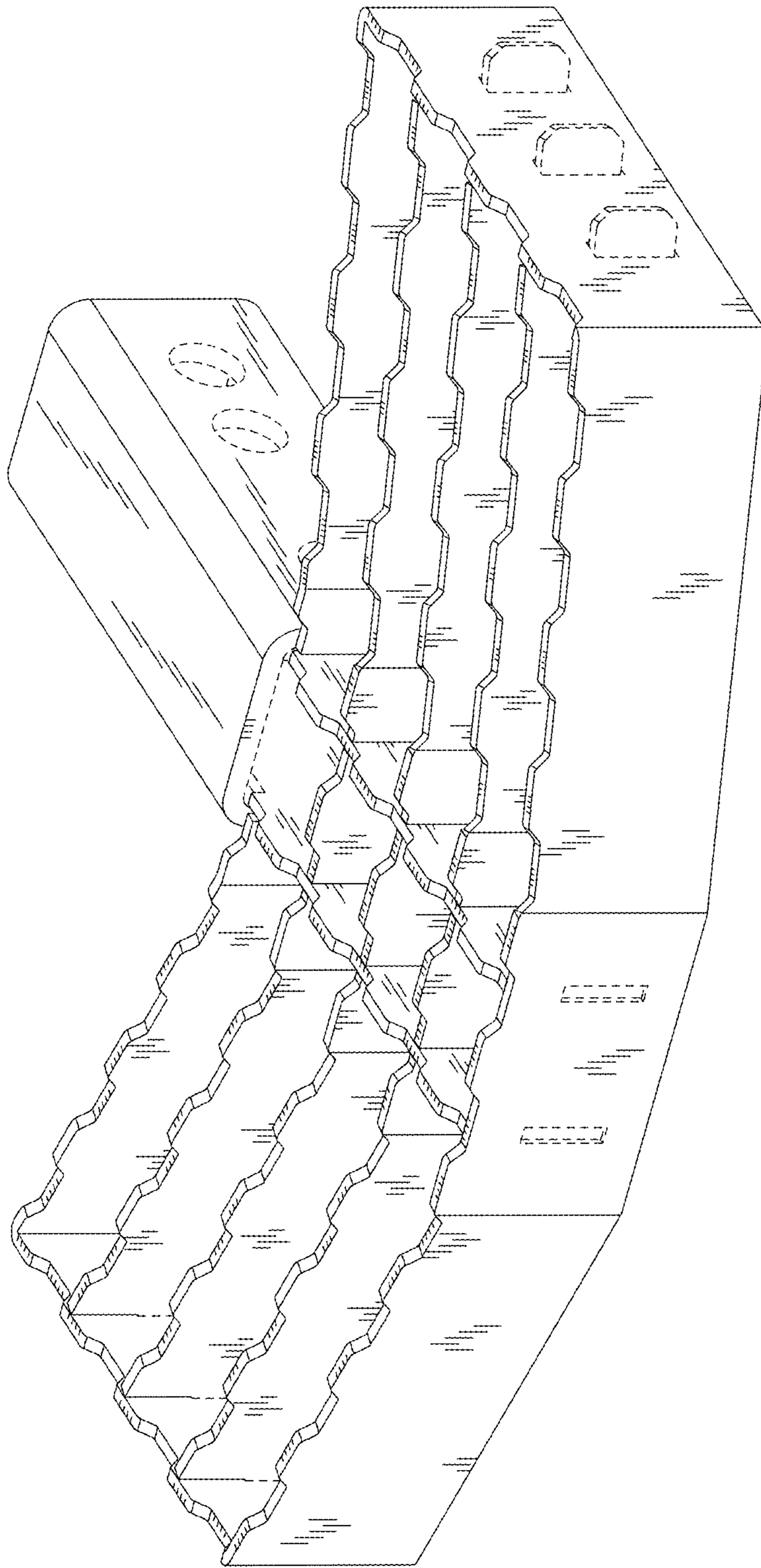


Fig. 1

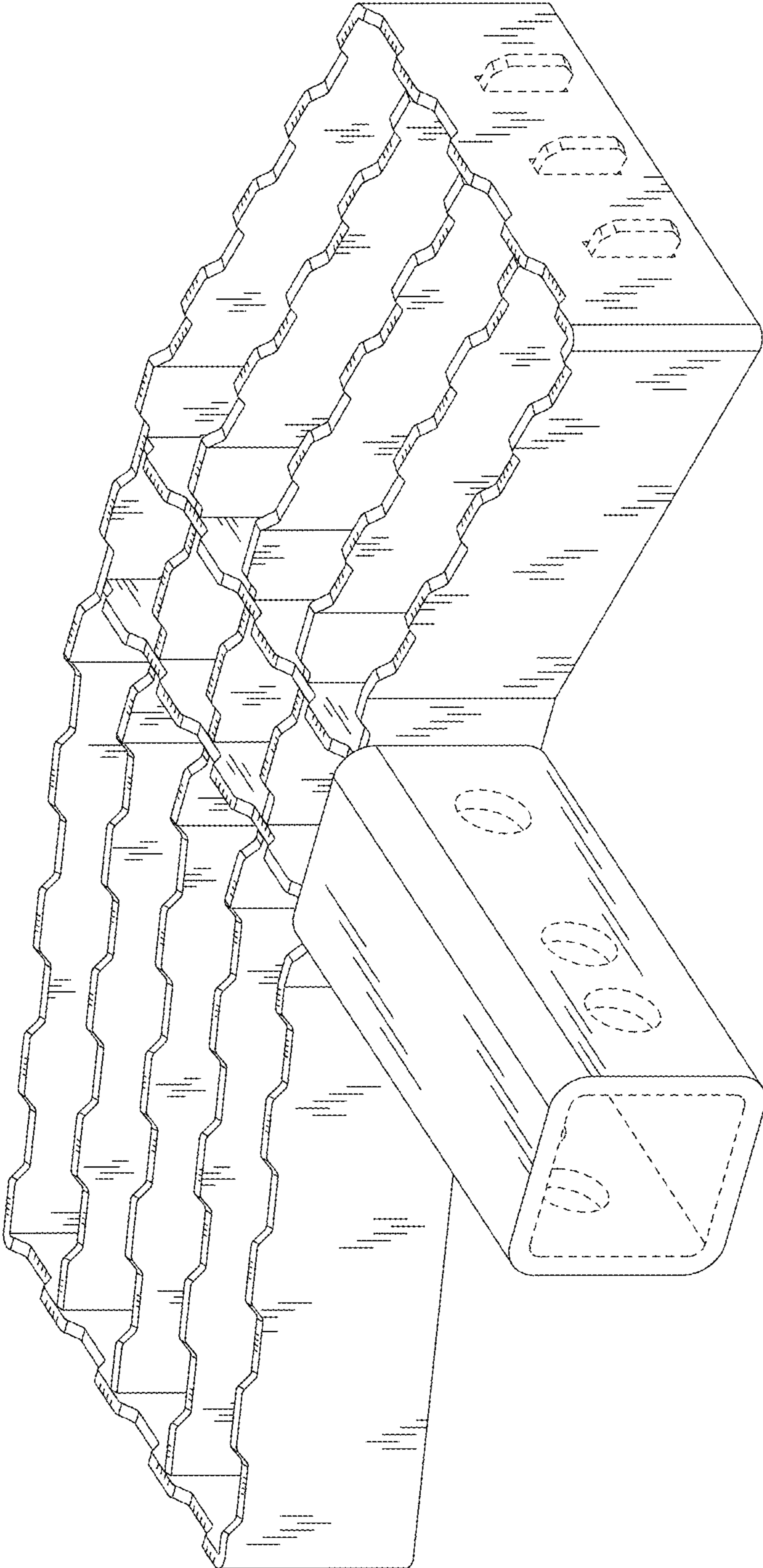


Fig. 2

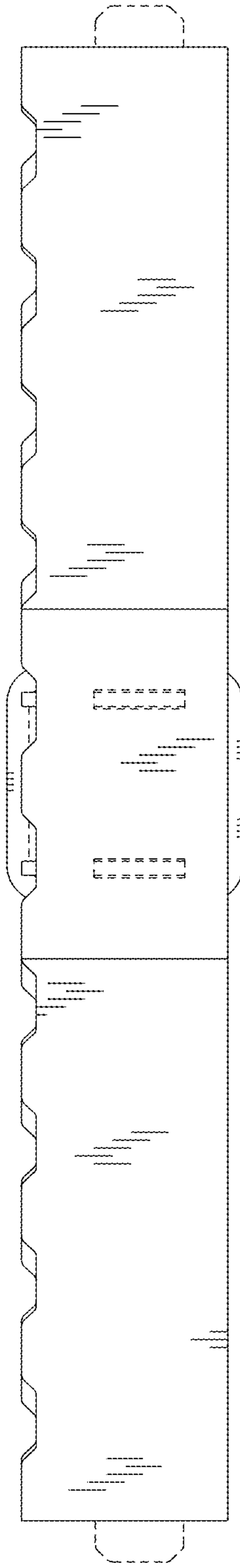


Fig. 3

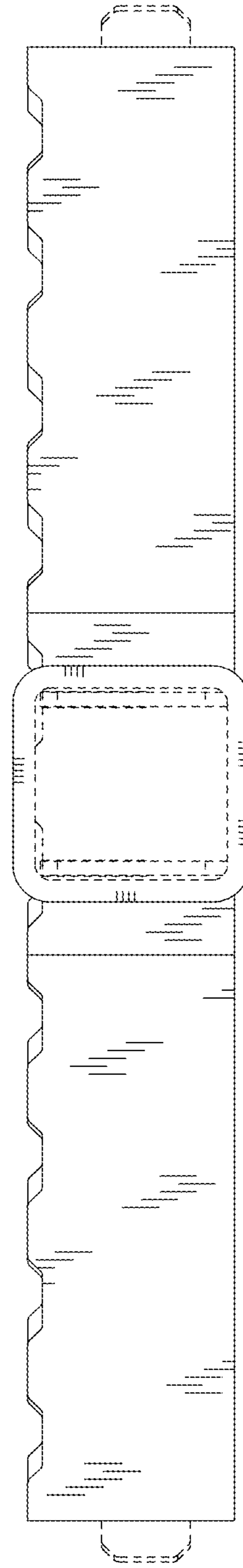


Fig. 4

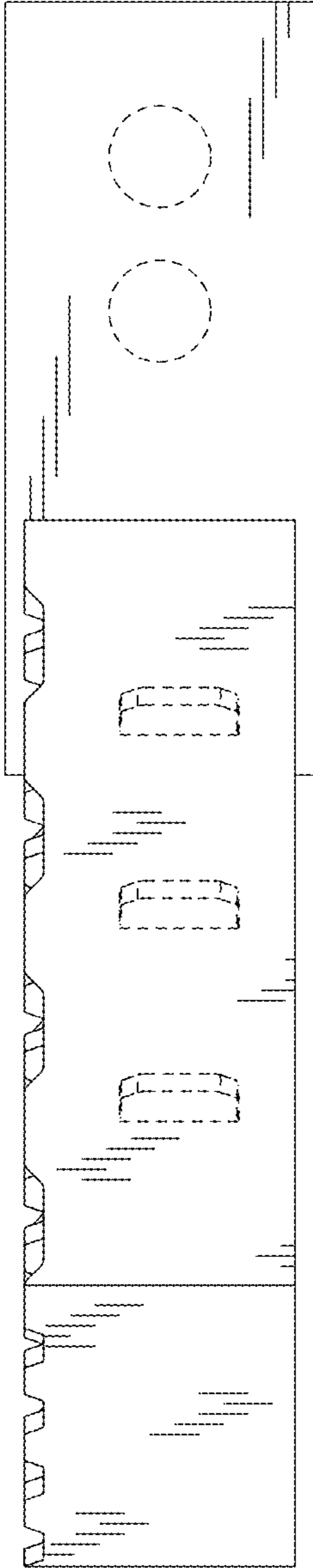


Fig. 5

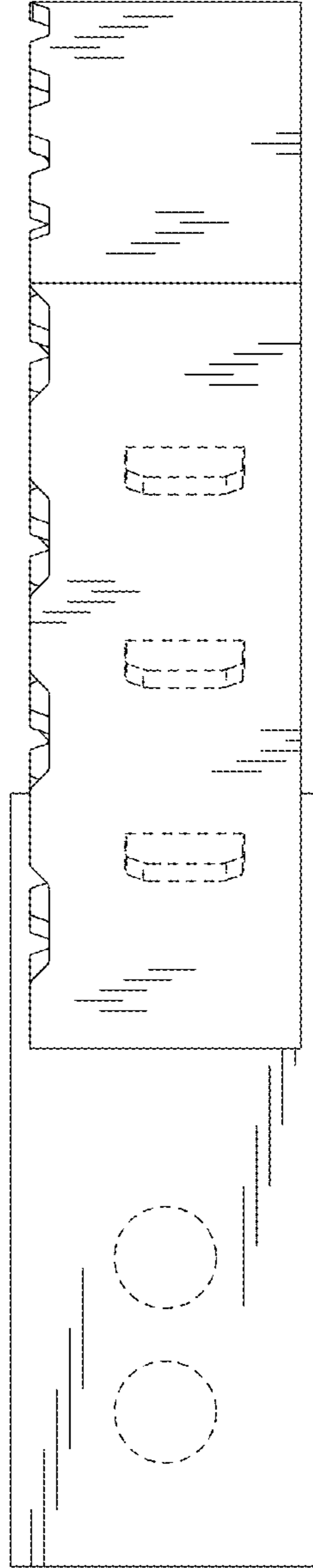
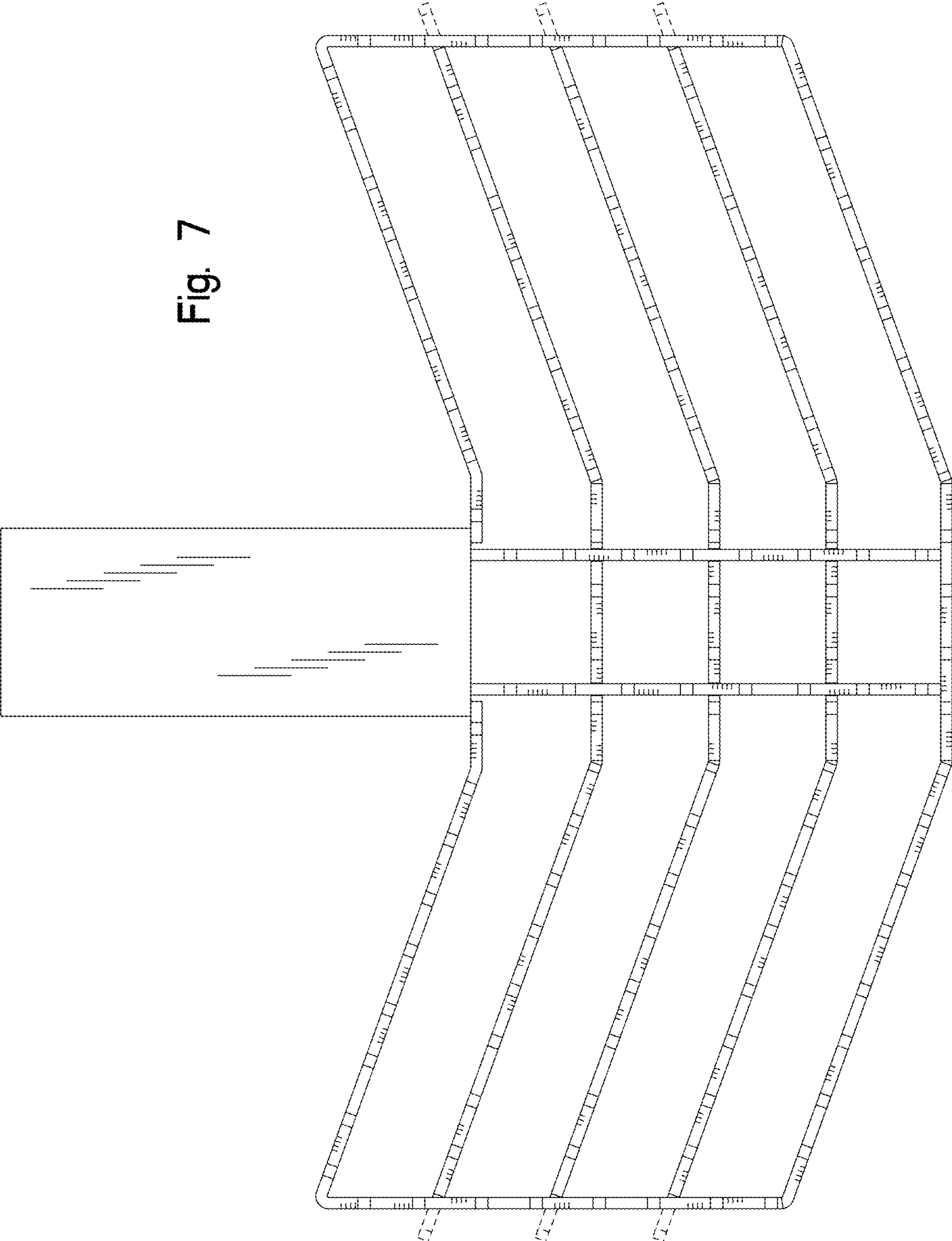


Fig. 6

Fig. 7



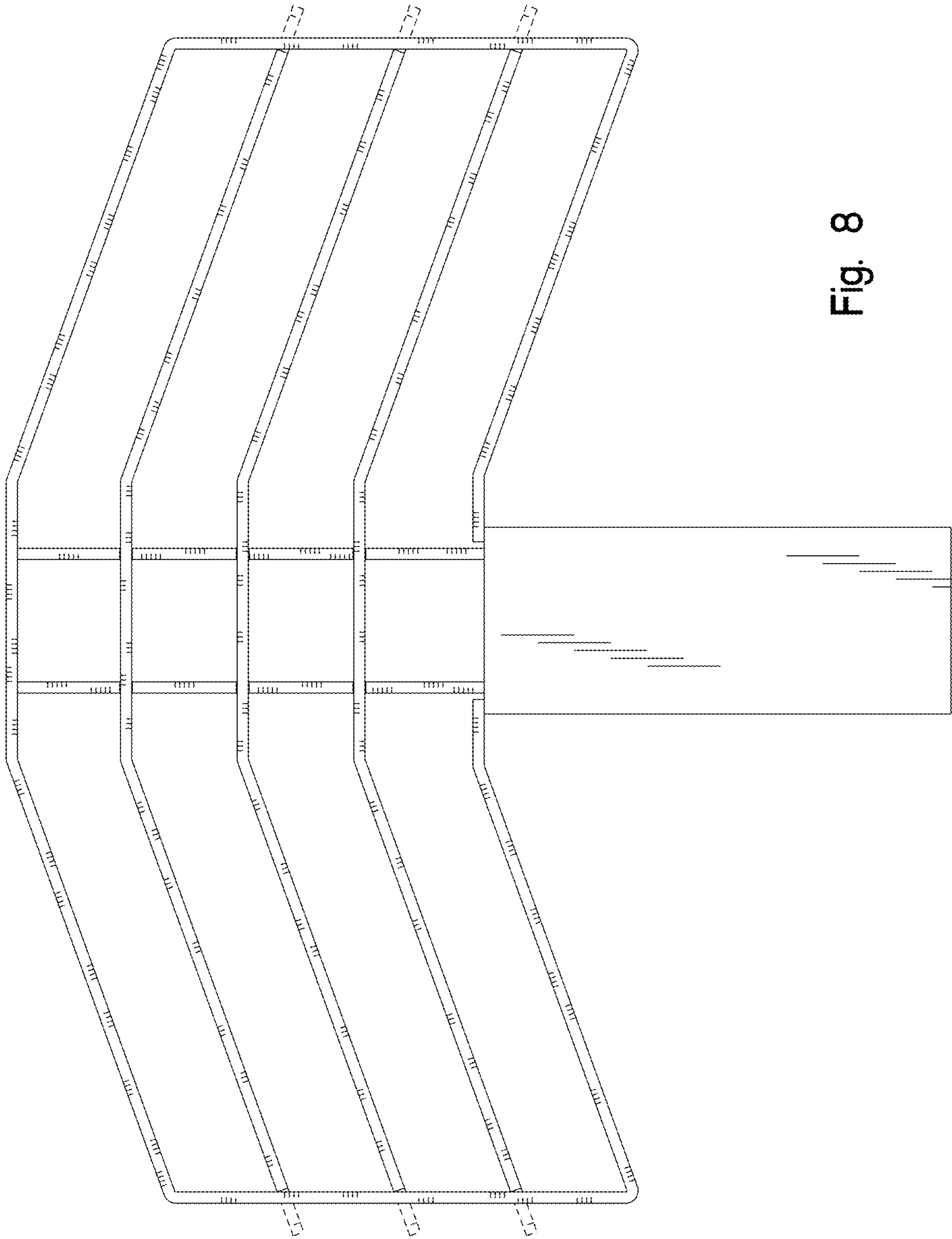


Fig. 8