



US00D952534S

(12) **United States Design Patent**  
**Spencer et al.**

(10) **Patent No.:** **US D952,534 S**

(45) **Date of Patent:** **\*\* May 24, 2022**

- (54) **LICENSE PLATE FRAME**
- (71) Applicant: **Cruiser Accessories, LLC**, Monument, CO (US)
- (72) Inventors: **Todd R. Spencer**, Monument, CO (US); **Mark Hunter Basenberg, Jr.**, Colorado Springs, CO (US)
- (73) Assignee: **Cruiser Accessories, LLC**, Monument, CO (US)
- (\*\*) Term: **15 Years**
- (21) Appl. No.: **29/720,920**
- (22) Filed: **Jan. 16, 2020**
- (51) **LOC (13) Cl.** ..... **12-16**
- (52) **U.S. Cl.**  
USPC ..... **D12/193**
- (58) **Field of Classification Search**  
USPC ..... D12/193; D6/300, 301, 302, 310, 311, D6/312, 313, 314; D20/13  
CPC ..... B60R 13/10; B60R 13/105; B60R 19/24; B60R 19/52  
See application file for complete search history.

D408,341 S *	4/1999	Spencer	.....	D12/193
D413,847 S *	9/1999	Hartmann	.....	D12/193
D416,527 S *	11/1999	Steinhagen	.....	D12/193
D437,816 S *	2/2001	Hussaini	.....	D12/193
D488,753 S *	4/2004	Spencer	.....	D12/193
D578,049 S *	10/2008	Son	.....	D12/193
D590,311 S *	4/2009	Pacleb	.....	D12/193
D734,228 S *	7/2015	Masanek, Jr.	.....	D12/193
D739,800 S *	9/2015	Spencer	.....	D12/193

\* cited by examiner

*Primary Examiner* — Natasha Vujcic

(74) *Attorney, Agent, or Firm* — Linda Flewellen Gould

(57) **CLAIM**

The ornamental design for a license plate frame, as shown and described.

**DESCRIPTION**

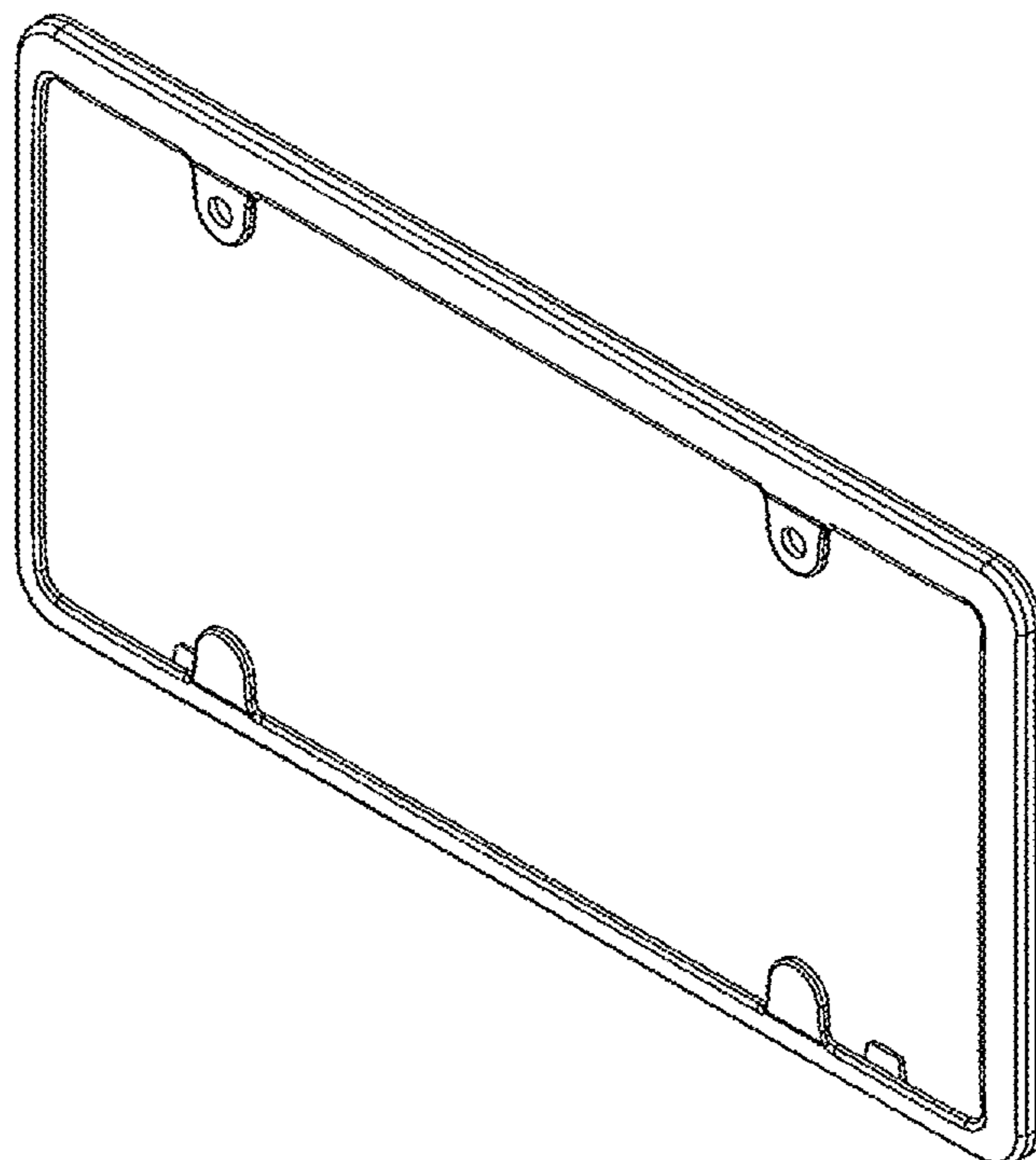
FIG. 1 is a perspective top and front view showing our new design for a license plate frame.  
 FIG. 2 is front view of the license plate frame of the present invention.  
 FIG. 3 is a back view of the license plate frame of the present invention.  
 FIG. 4 is a bottom view of the license plate frame of the present invention.  
 FIG. 5 is a top view of the license plate frame of the present invention.  
 FIG. 6 is a left side view of the license plate frame of the present invention; and,  
 FIG. 7 is right side view of the license plate frame of the present invention.

**1 Claim, 3 Drawing Sheets**

(56) **References Cited**

**U.S. PATENT DOCUMENTS**

D233,327 S *	10/1974	Barber	.....	D12/193
D285,784 S *	9/1986	Langensiepen	.....	D12/193
D359,262 S *	6/1995	Shusterman	.....	D12/193
D360,479 S *	7/1995	Howard	.....	D12/193
D367,459 S *	2/1996	Spencer	.....	D12/193
D368,693 S *	4/1996	Spencer	.....	D12/193
D377,777 S *	2/1997	Kheyfets	.....	D12/193



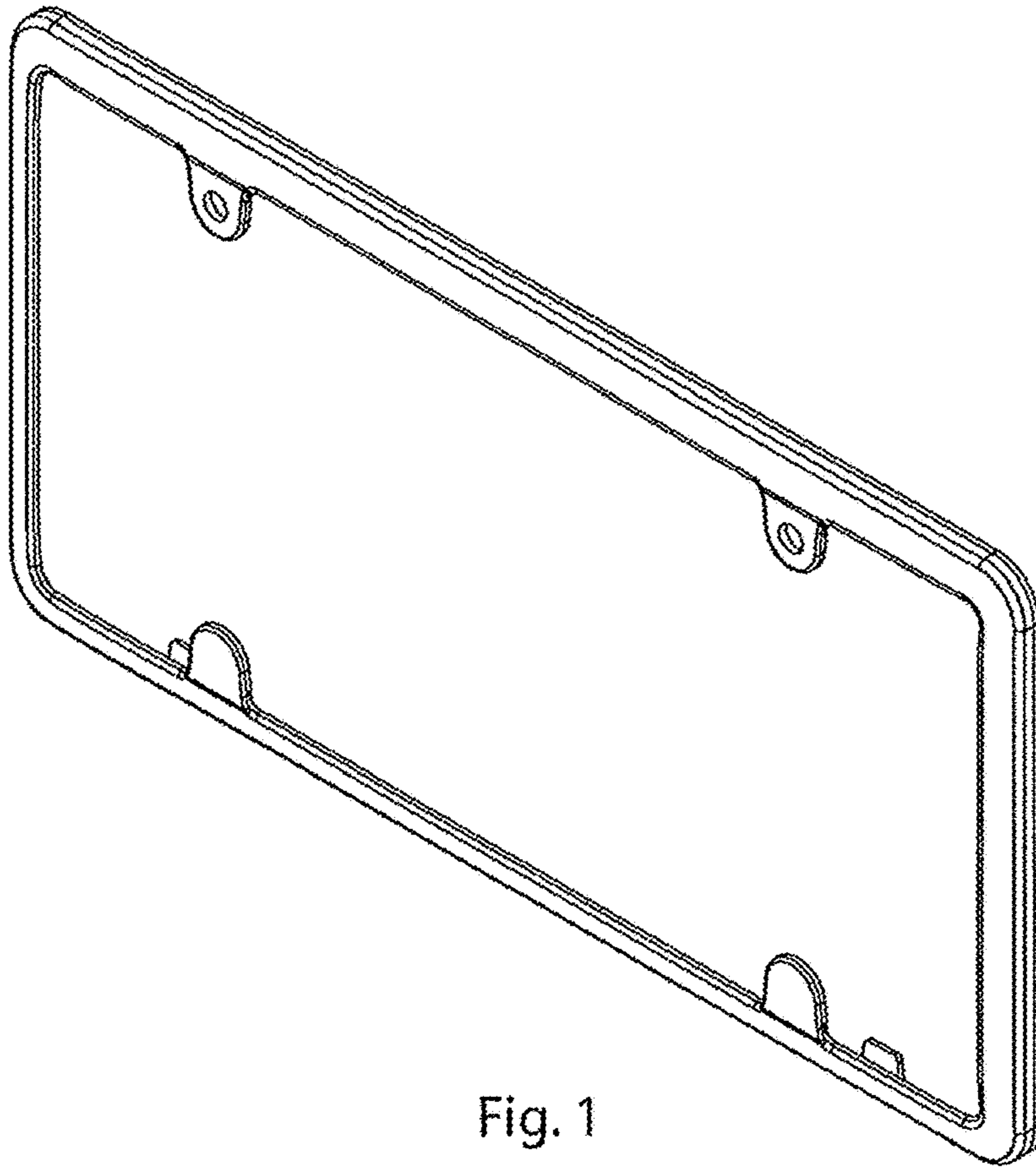


Fig. 1

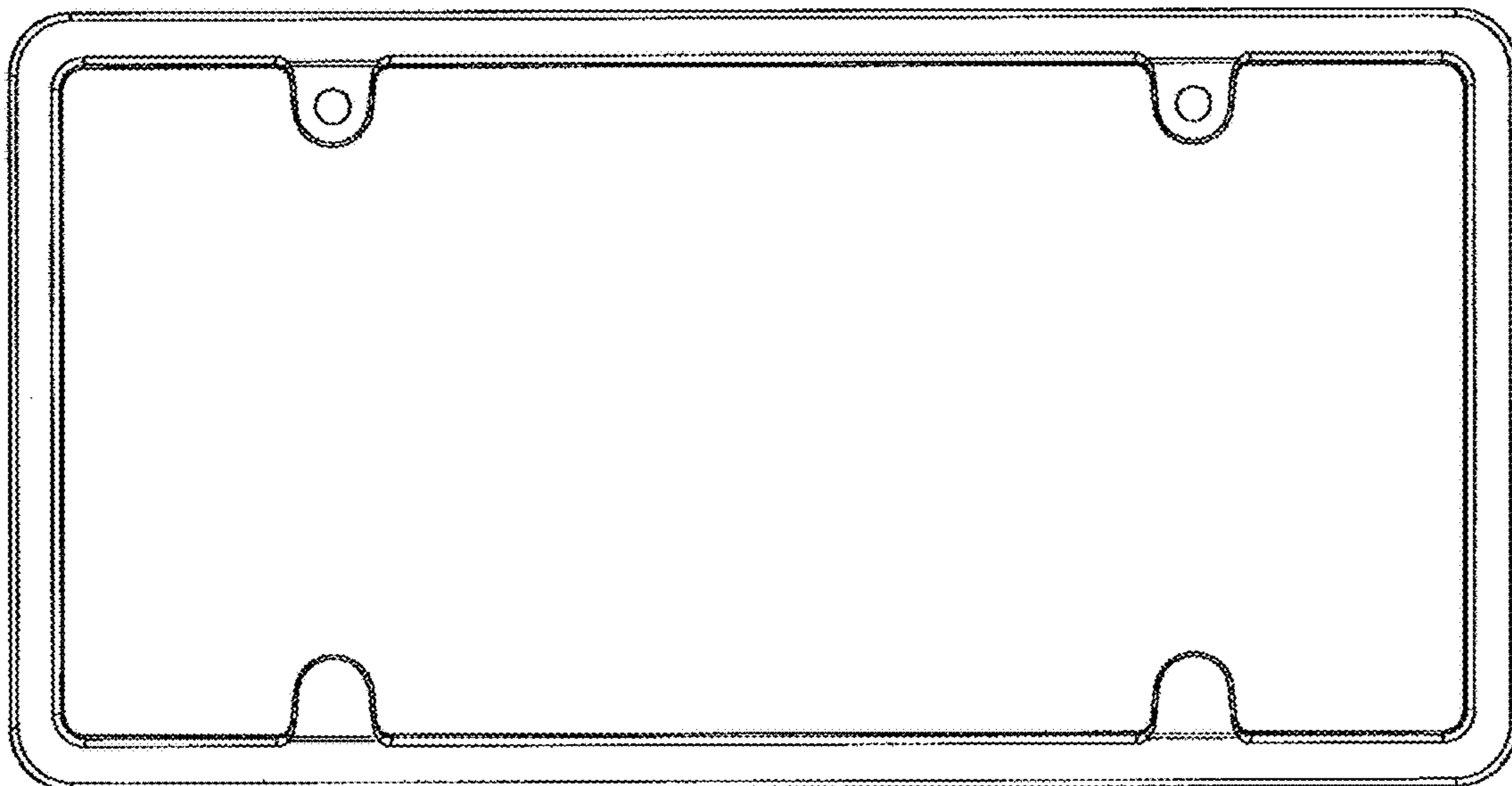


Fig. 2

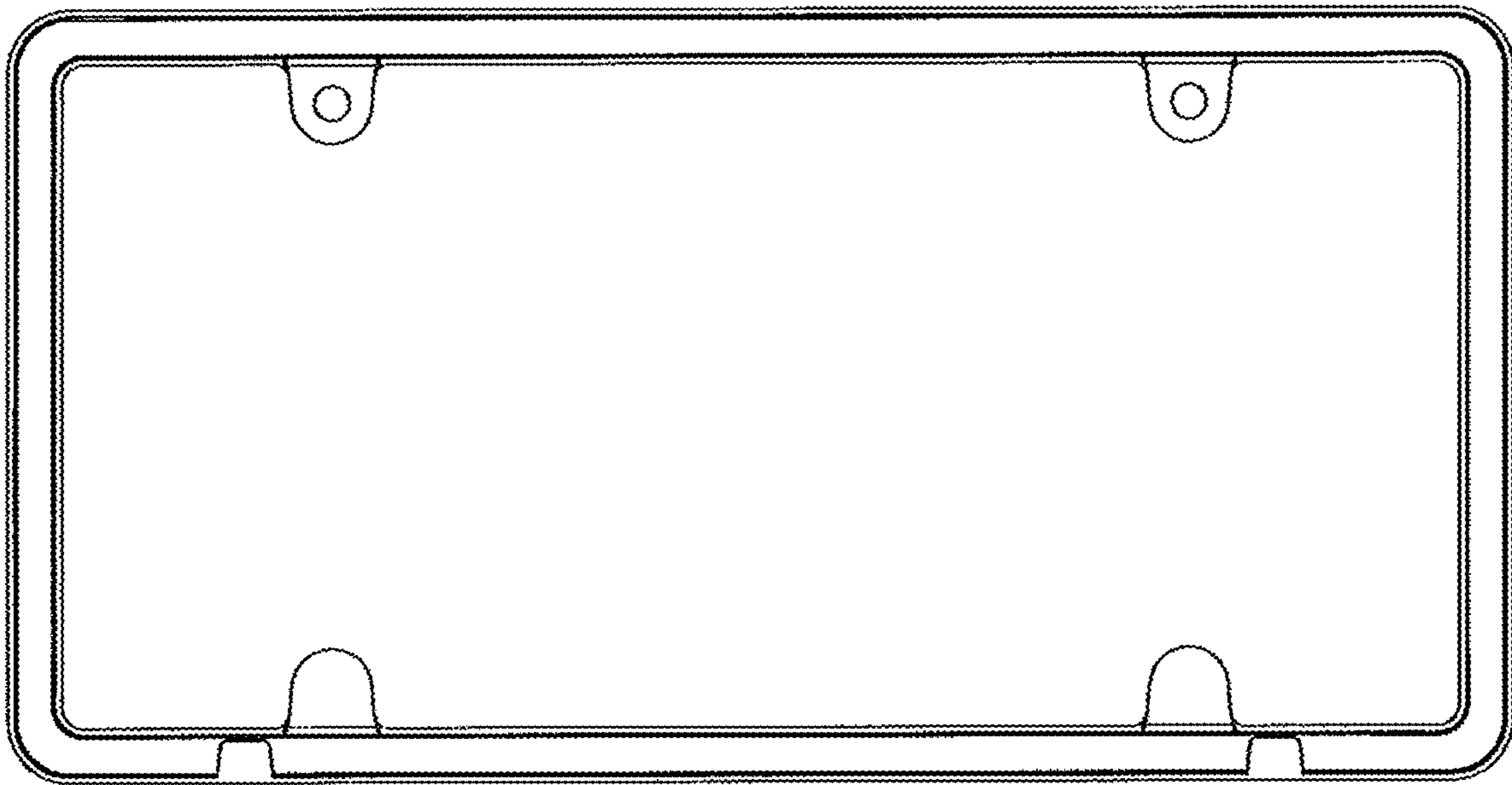


Fig. 3

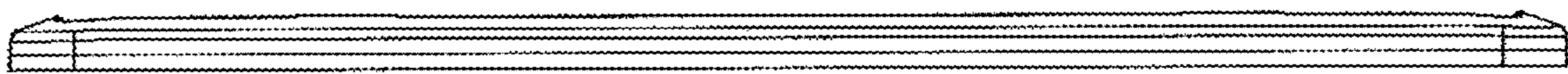


Fig. 4

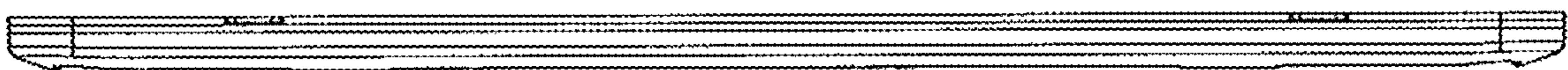


Fig. 5



Fig. 6



Fig. 7