



US00D952532S

(12) **United States Design Patent** (10) **Patent No.:** **US D952,532 S**  
**Moon et al.** (45) **Date of Patent:** **\*\* \*May 24, 2022**

(54) **INSTRUMENT PANEL FOR AUTOMOBILE**

(71) Applicant: **Nissan Motor Co., Ltd.**, Kanagawa (JP)

(72) Inventors: **Kyusik Moon**, Kanagawa (JP); **Hideki Tago**, Kanagawa (JP)

(73) Assignee: **Nissan Motor Co., Ltd.**, Yokohama (JP)

(\*) Notice: This patent is subject to a terminal disclaimer.

(\*\*) Term: **15 Years**

(21) Appl. No.: **29/731,431**

(22) Filed: **Apr. 15, 2020**

(30) **Foreign Application Priority Data**

Oct. 16, 2019 (JP) ..... 2019-023121

(51) **LOC (13) Cl.** ..... **12-16**

(52) **U.S. Cl.**  
USPC ..... **D12/192**

(58) **Field of Classification Search**  
USPC ..... D12/191, 192, 190, 195, 345, 415-420,  
D12/400, 110, 114, 106, 96, 99;  
D14/157, 485, 489, 492, 488, 490;  
D15/17, 28

CPC ..... B60H 1/34; B60H 1/3407; B60H 1/3414;  
B60H 1/3421; B60H 1/3428; B60H  
1/3435; B60H 1/3442; B60H 1/345;  
B60H 1/3457; B60H 1/0055

See application file for complete search history.

(56) **References Cited**

**U.S. PATENT DOCUMENTS**

D826,122 S \* 8/2018 Yamamoto ..... D12/192  
D847,057 S \* 4/2019 Kono ..... D12/192

D863,167 S \* 10/2019 Moir ..... D12/192  
D872,683 S \* 1/2020 Motozaki ..... D12/415  
D877,012 S \* 3/2020 Ali ..... D12/192  
D878,988 S \* 3/2020 Ryou ..... D12/192  
D899,985 S \* 10/2020 Choi ..... D12/192  
D902,101 S \* 11/2020 Jacob ..... D12/192  
D903,560 S \* 12/2020 Takamura ..... D12/192  
D908,075 S \* 1/2021 Park ..... D12/415  
D909,940 S \* 2/2021 Roo-Clefas ..... D12/192  
D913,173 S \* 3/2021 Kim ..... D12/192

(Continued)

**FOREIGN PATENT DOCUMENTS**

JP D1265120 S 3/2006  
JP D1336615 S 7/2008  
JP D1396179 S 9/2010

(Continued)

*Primary Examiner* — Kevin K Rudzinski

*Assistant Examiner* — Jerry Shiuan-Hua Hsu

(74) *Attorney, Agent, or Firm* — Global IP Counselors, LLP

(57) **CLAIM**

The ornamental design for an instrument panel for automobile, as shown and described.

**DESCRIPTION**

FIG. 1 is a front, top, right side perspective view of an instrument panel for automobile, in accordance with our new design, a mirror image of the instrument panel is claimed but not shown;

FIG. 2 is a front, top, left side perspective view thereof;

FIG. 3 is a front elevational view thereof;

FIG. 4 is a top plan view thereof;

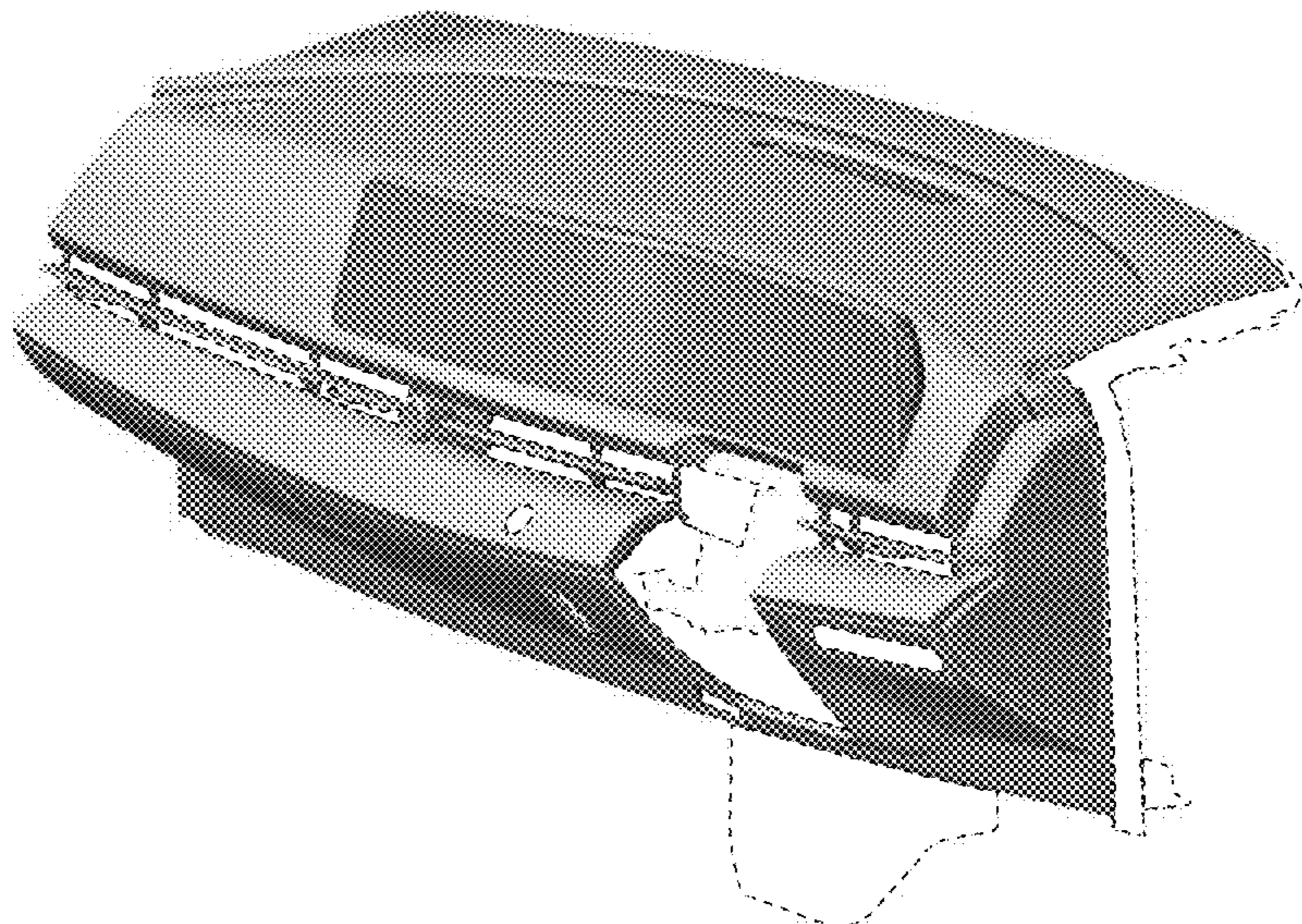
FIG. 5 is a bottom plan view thereof;

FIG. 6 is a right side elevational view thereof; and,

FIG. 7 is a left side elevational view thereof.

The broken lines illustrate portions of the instrument panel for automobile that form no part of the claimed design.

**1 Claim, 7 Drawing Sheets**



(56)

**References Cited**

U.S. PATENT DOCUMENTS

D913,180 S \* 3/2021 Kim ..... D12/195

FOREIGN PATENT DOCUMENTS

|    |            |         |
|----|------------|---------|
| JP | D1408644 S | 3/2011  |
| JP | D1461471 S | 2/2013  |
| JP | D1516150 S | 1/2015  |
| JP | D1549346 S | 5/2016  |
| JP | D1551650 S | 6/2016  |
| JP | D1556043 S | 7/2017  |
| JP | D1588695 S | 10/2017 |
| JP | D1603782 S | 5/2018  |
| JP | D1604095 S | 5/2018  |
| JP | D1572972 S | 9/2018  |
| JP | D1615995 S | 10/2018 |
| JP | D1616279 S | 10/2018 |
| JP | D1616938 S | 11/2018 |
| JP | D1617171 S | 11/2018 |
| JP | D1617172 S | 11/2018 |
| JP | D1630249 S | 5/2019  |
| JP | D1630250 S | 5/2019  |
| JP | D1644220 S | 10/2019 |
| JP | D1644347 S | 10/2019 |
| JP | D1629779 S | 2/2020  |
| JP | D1661415 S | 6/2020  |
| JP | D1657228 S | 1/2021  |

\* cited by examiner

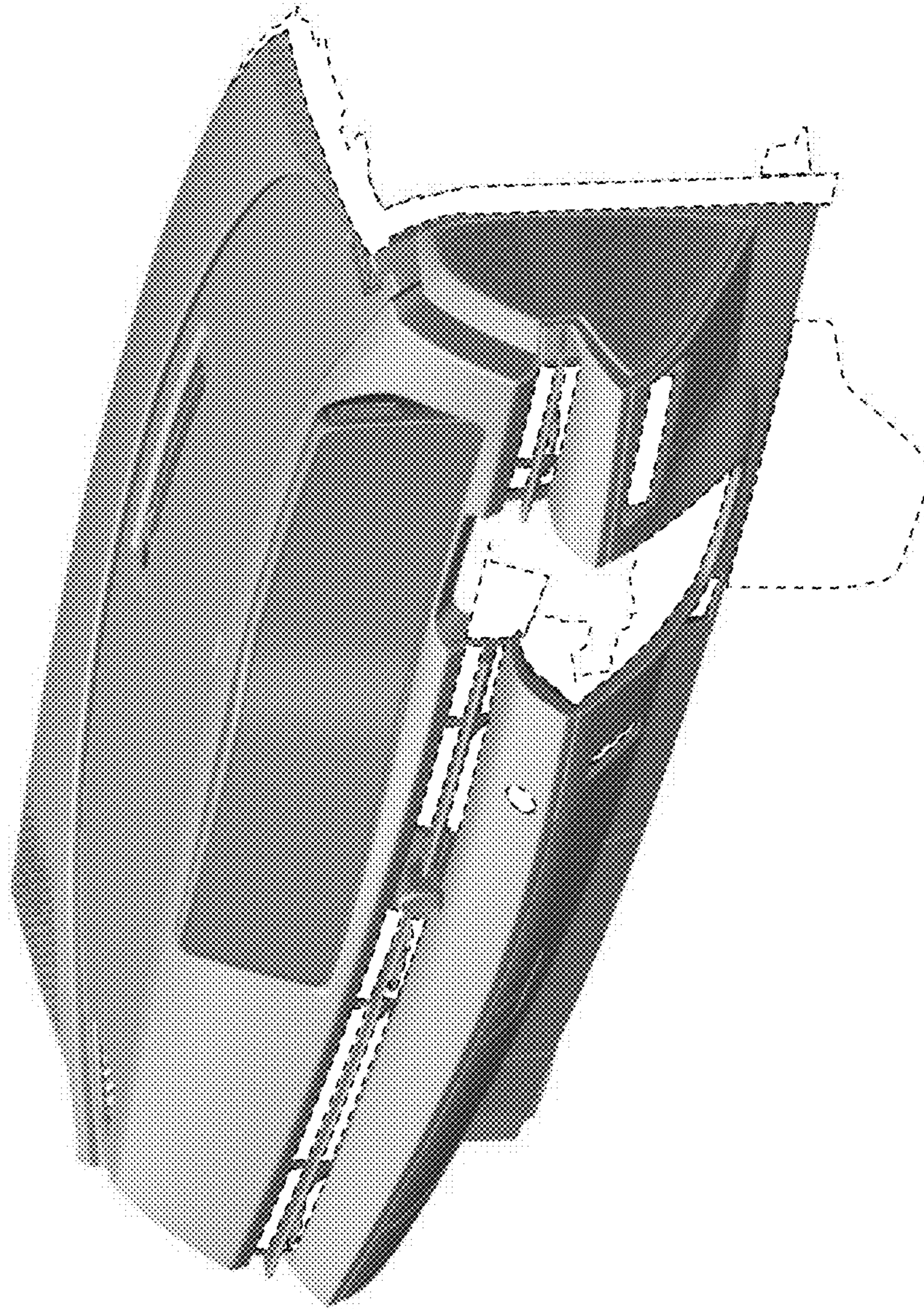


FIG. 1

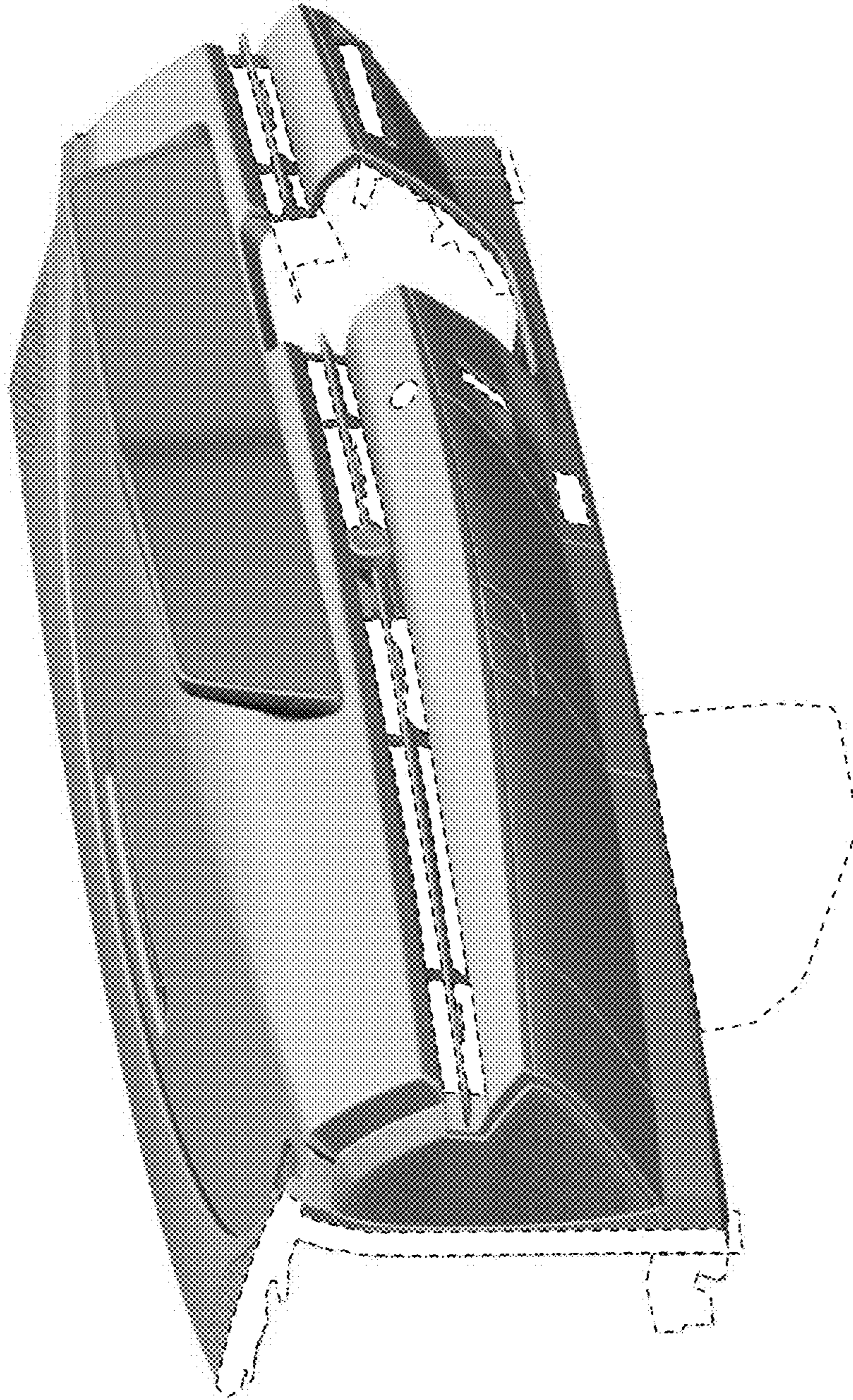


FIG. 2

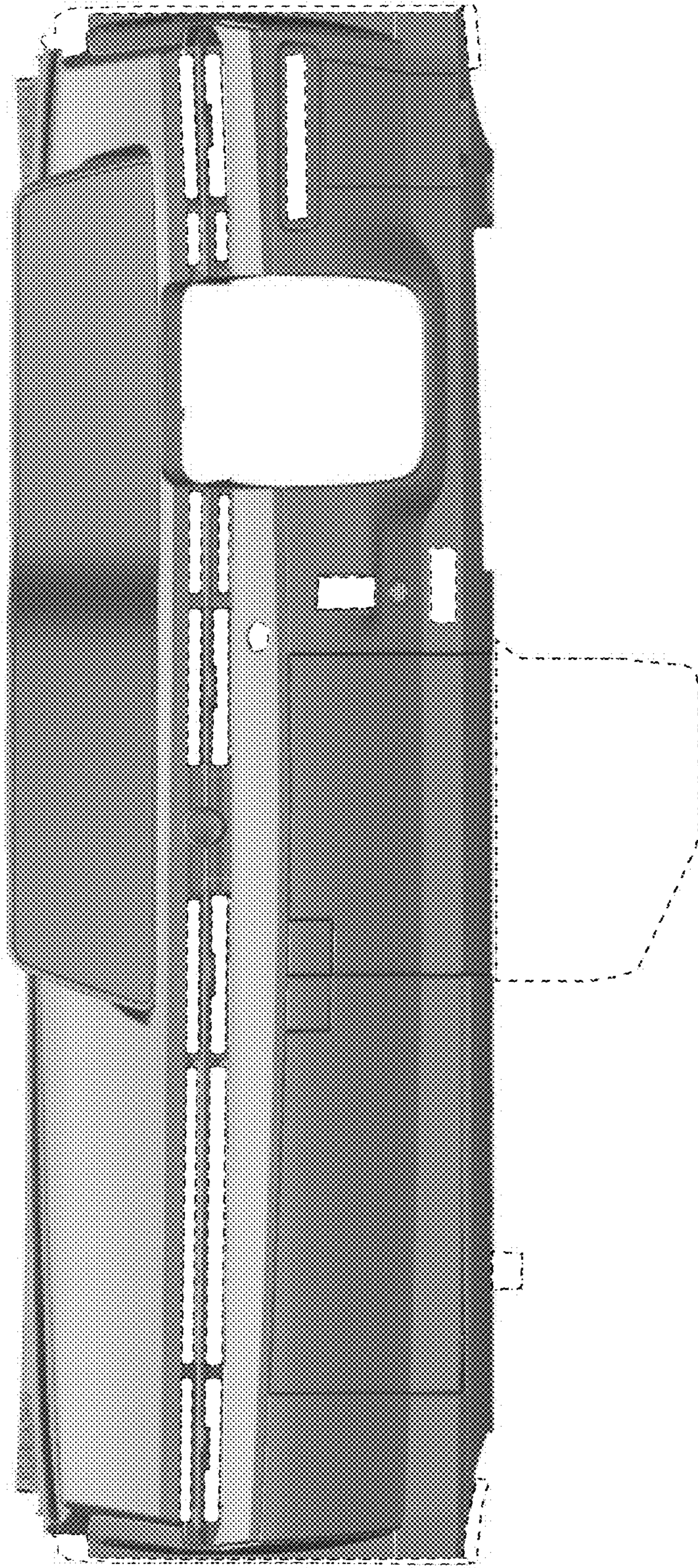


FIG. 3

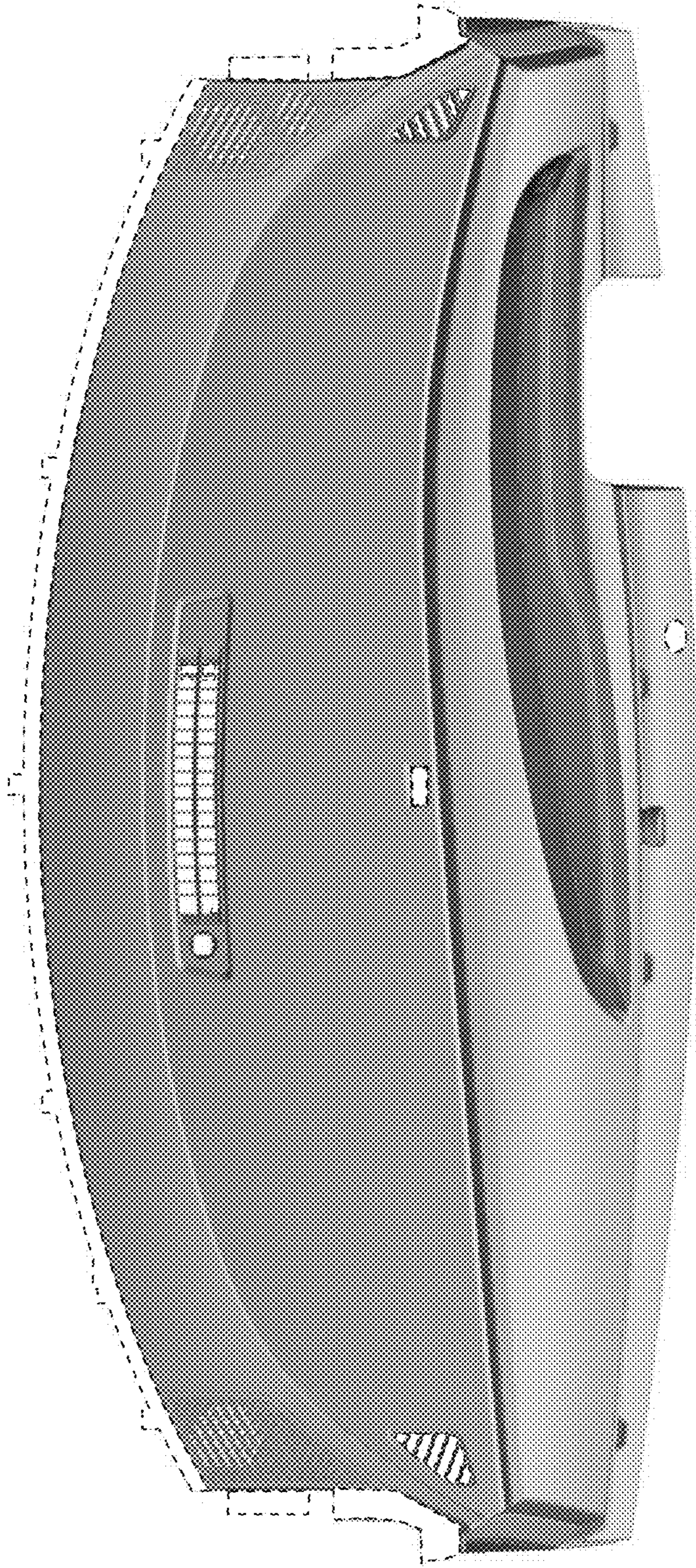


FIG. 4

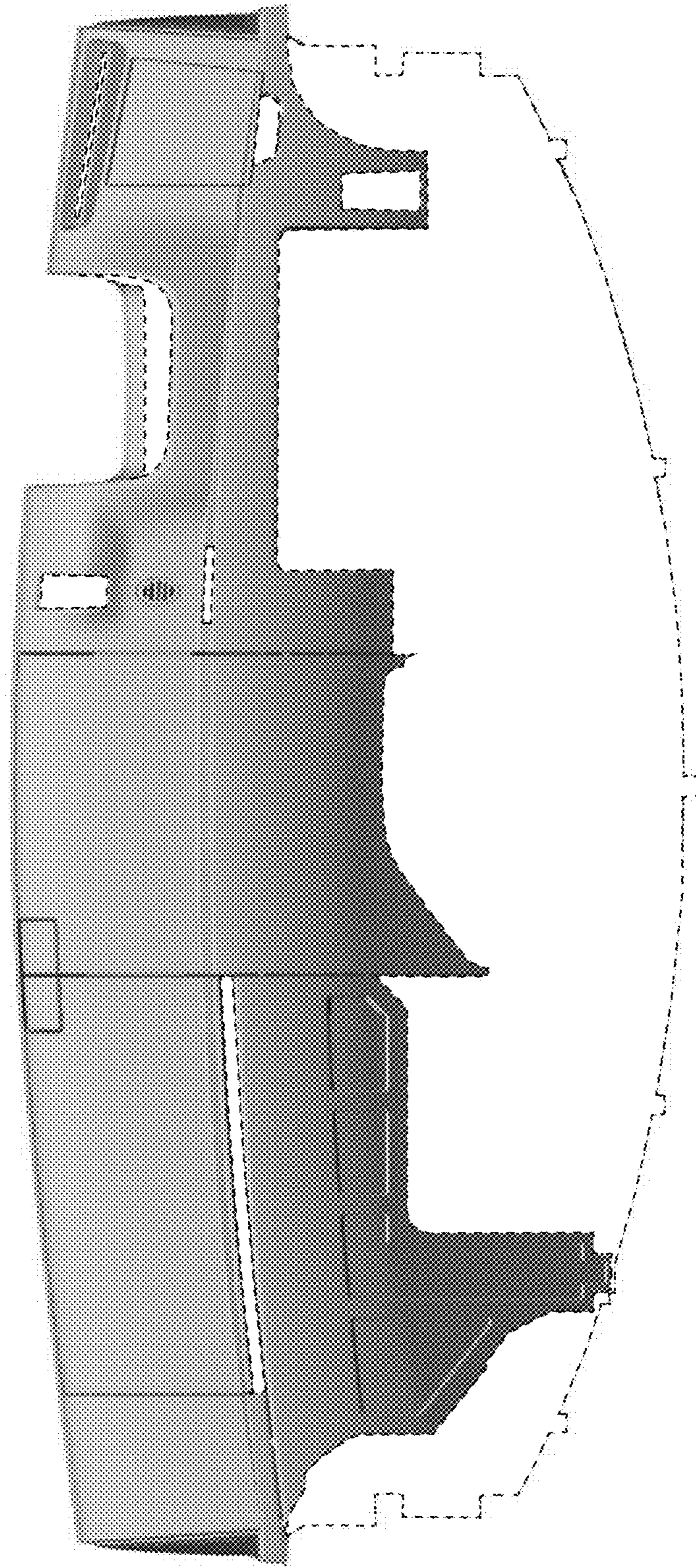


FIG. 5

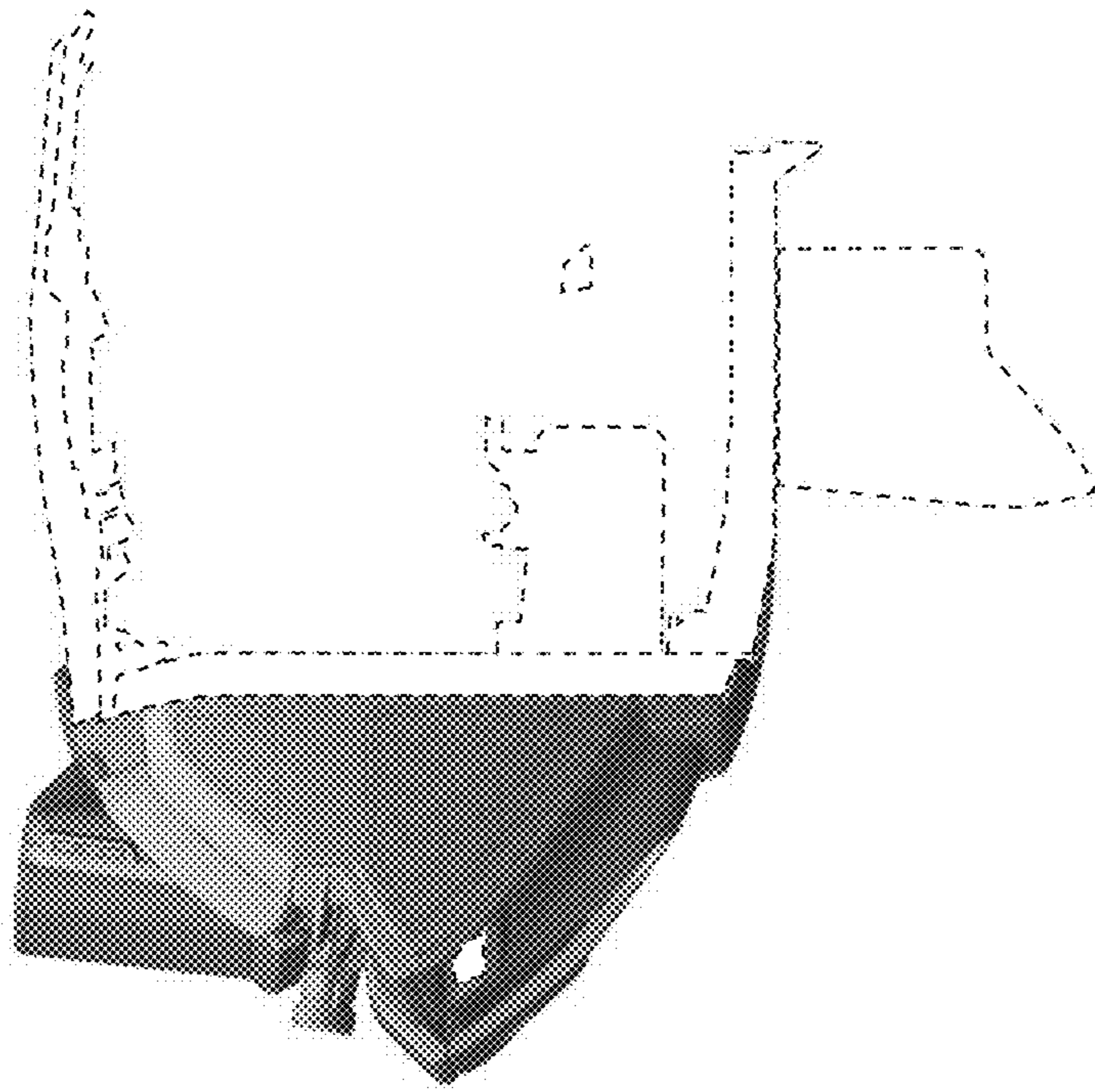
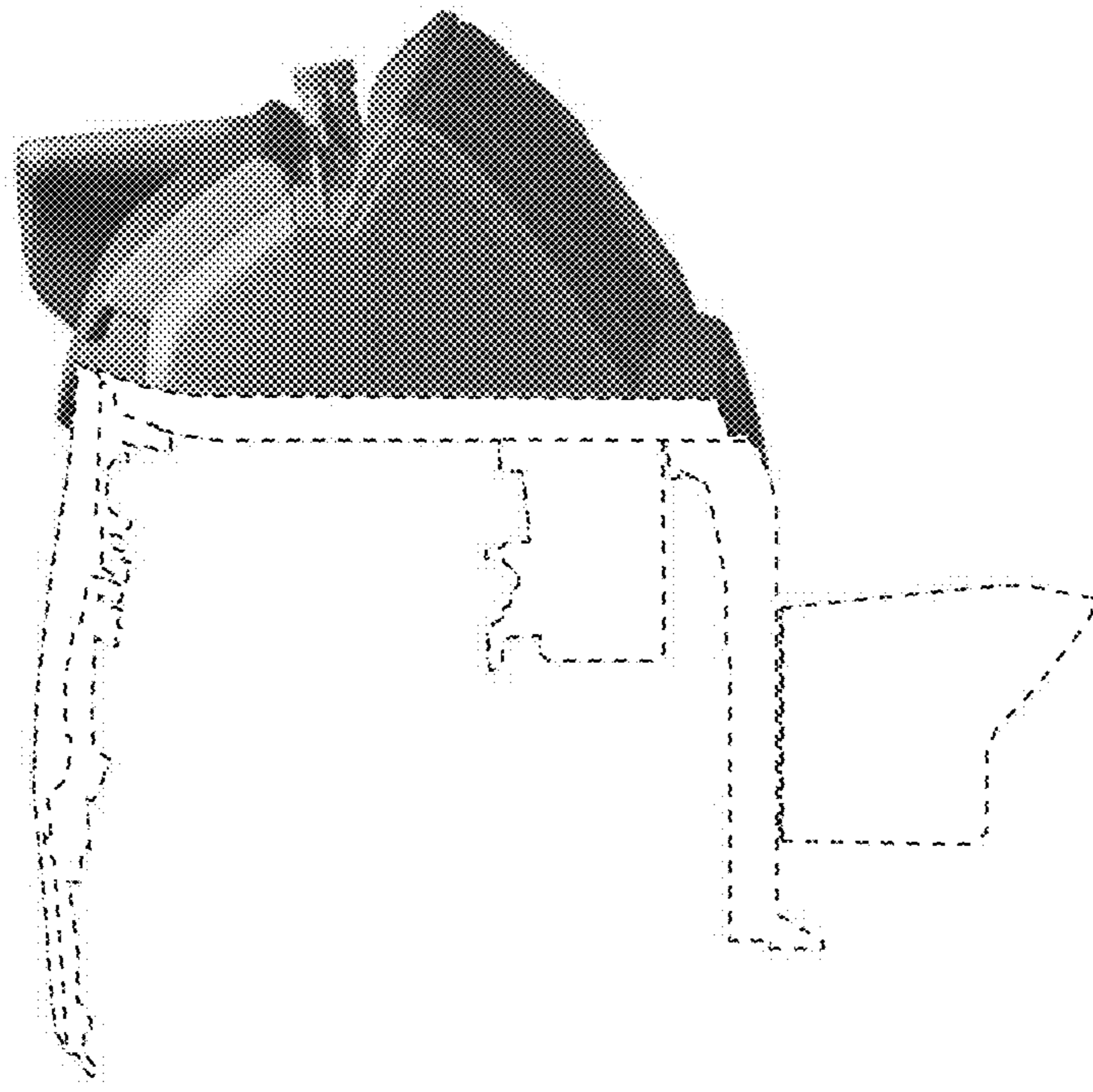


FIG. 6





**FIG. 7**