



US00D952531S

(12) **United States Design Patent** (10) **Patent No.:** **US D952,531 S**
Moon et al. (45) **Date of Patent:** **** *May 24, 2022**

(54) **INSTRUMENT PANEL FOR AUTOMOBILE**

(71) Applicant: **Nissan Motor Co., Ltd.**, Kanagawa (JP)

(72) Inventors: **Kyusik Moon**, Kanagawa (JP); **Hideki Tago**, Kanagawa (JP)

(73) Assignee: **Nissan Motor Co., Ltd.**, Yokohama (JP)

(*) Notice: This patent is subject to a terminal disclaimer.

(**) Term: **15 Years**

(21) Appl. No.: **29/731,430**

(22) Filed: **Apr. 15, 2020**

(30) **Foreign Application Priority Data**

Oct. 16, 2019 (JP) 2019-023119

(51) **LOC (13) Cl.** **12-16**

(52) **U.S. Cl.**
USPC **D12/192**

(58) **Field of Classification Search**
USPC D12/191, 192, 190, 195, 345, 415-420,
D12/400, 110, 114, 106, 96, 99;
D14/157, 485, 489, 492, 488, 490;
D15/17, 28

CPC B60H 1/34; B60H 1/3407; B60H 1/3414;
B60H 1/3421; B60H 1/3428; B60H
1/3435; B60H 1/3442; B60H 1/345;
B60H 1/3457; B60H 1/0055

See application file for complete search history.

(56) **References Cited**

U.S. PATENT DOCUMENTS

D826,122 S * 8/2018 Yamamoto D12/192
D847,057 S * 4/2019 Kono D12/192

D863,167 S * 10/2019 Moir D12/192
D872,683 S * 1/2020 Motozaki D12/415
D877,012 S * 3/2020 Ali D12/192
D878,988 S * 3/2020 Ryou D12/192
D899,985 S * 10/2020 Choi D12/192
D902,101 S * 11/2020 Jacob D12/192
D903,560 S * 12/2020 Takamura D12/192
D908,075 S * 1/2021 Park D12/415
D909,940 S * 2/2021 Roo-Clefas D12/192
D913,173 S * 3/2021 Kim D12/192

(Continued)

FOREIGN PATENT DOCUMENTS

JP D1265120 S 3/2006
JP D1336615 S 7/2008
JP D1396179 S 9/2010

(Continued)

Primary Examiner — Kevin K Rudzinski

Assistant Examiner — Jerry Shiuan-Hua Hsu

(74) *Attorney, Agent, or Firm* — Global IP Counselors, LLP

(57) **CLAIM**

The ornamental design for an instrument panel for automobile, as shown and described.

DESCRIPTION

FIG. 1 is a front, top, right side perspective view of an instrument panel for automobile, in accordance with our new design, a mirror image of the instrument panel is claimed but not shown;

FIG. 2 is a front, top, left side perspective view thereof;

FIG. 3 is a front elevational view thereof;

FIG. 4 is a top plan view thereof;

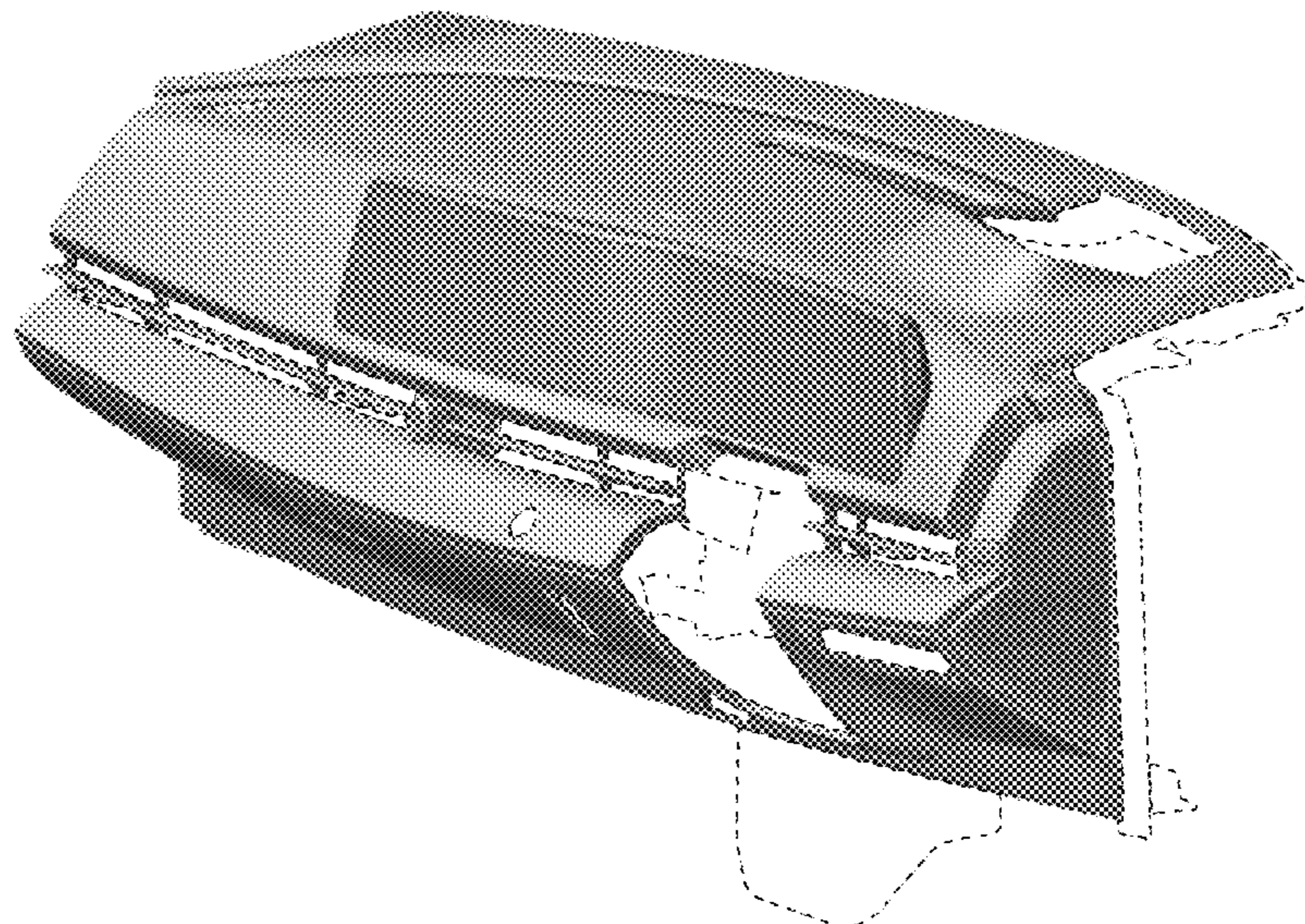
FIG. 5 is a bottom plan view thereof;

FIG. 6 is a right side elevational view thereof; and,

FIG. 7 is a left side elevational view thereof.

The broken lines illustrate portions of the instrument panel for automobile that form no part of the claimed design.

1 Claim, 7 Drawing Sheets



(56)

References Cited

U.S. PATENT DOCUMENTS

D913,180 S * 3/2021 Kim D12/195

FOREIGN PATENT DOCUMENTS

JP	D1408644 S	3/2011
JP	D1461471 S	2/2013
JP	D1516150 S	1/2015
JP	D1549346 S	5/2016
JP	D1551650 S	6/2016
JP	D1556043 S	7/2017
JP	D1588695 S	10/2017
JP	D1603782 S	5/2018
JP	D1604095 S	5/2018
JP	D1572972 S	9/2018
JP	D1615995 S	10/2018
JP	D1616279 S	10/2018
JP	D1616938 S	11/2018
JP	D1617171 S	11/2018
JP	D1617172 S	11/2018
JP	D1630249 S	5/2019
JP	D1630250 S	5/2019
JP	D1644220 S	10/2019
JP	D1644347 S	10/2019
JP	D1629779 S	2/2020
JP	D1661415 S	6/2020
JP	D1657228 S	1/2021

* cited by examiner

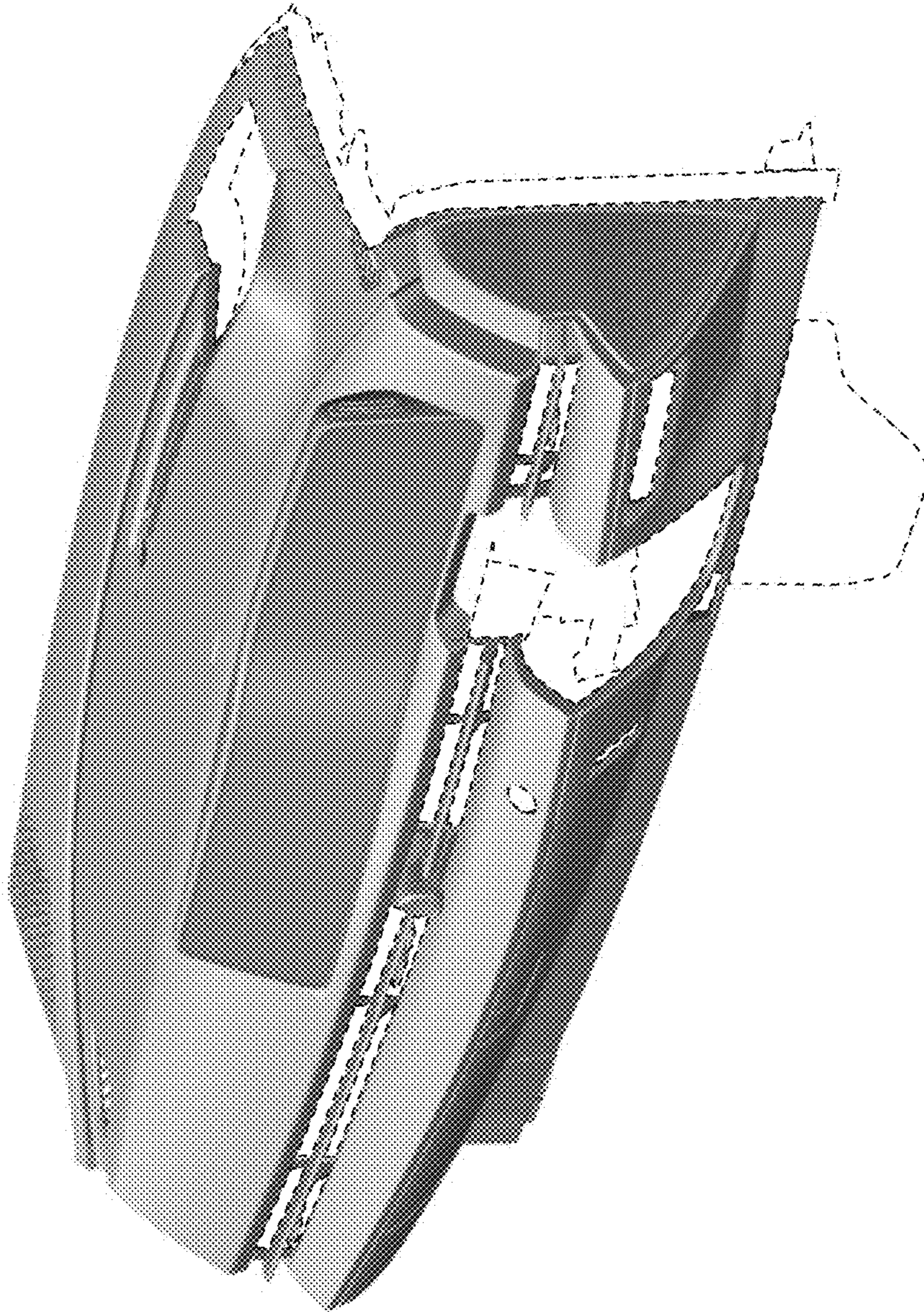


FIG. 1

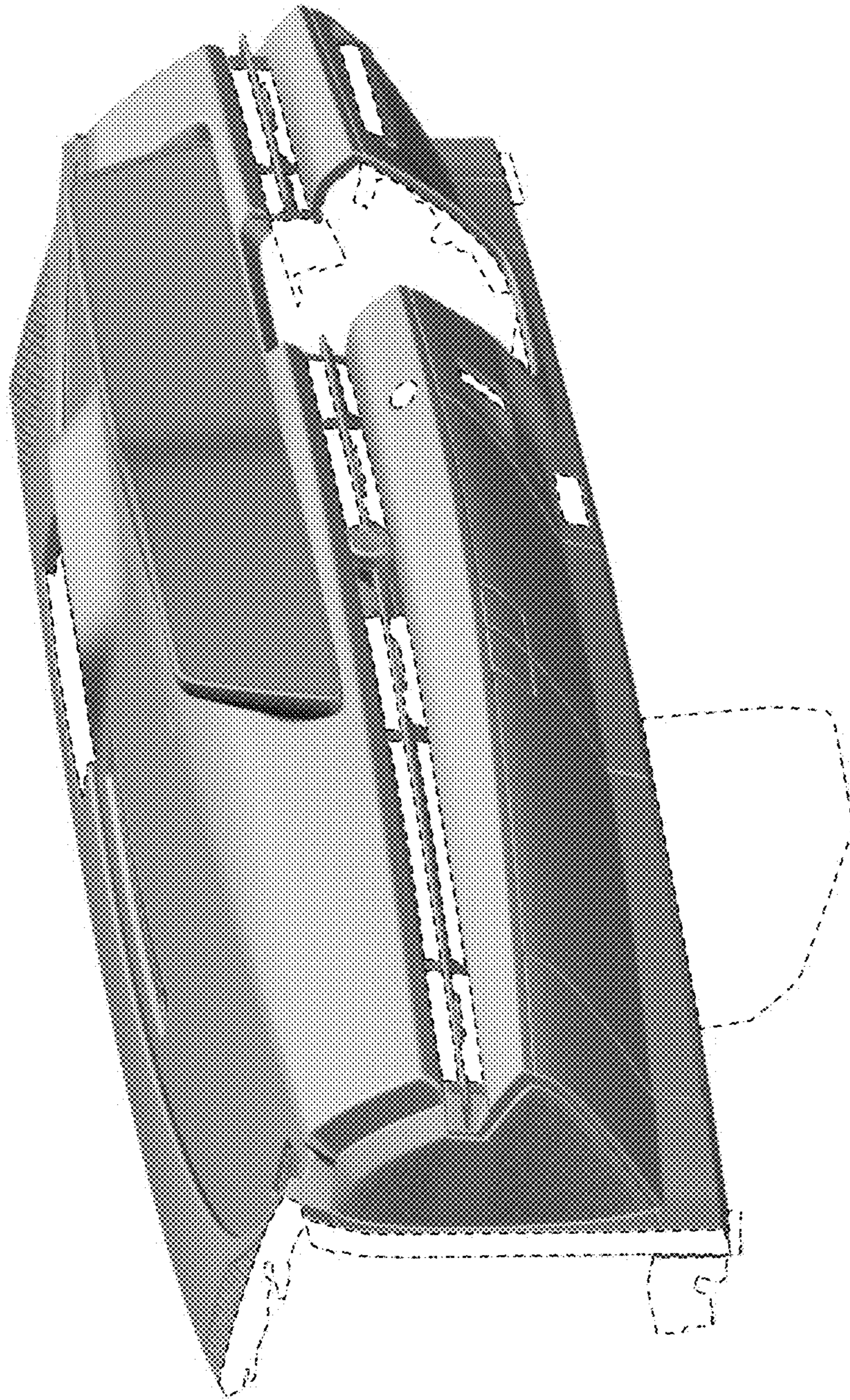


FIG. 2

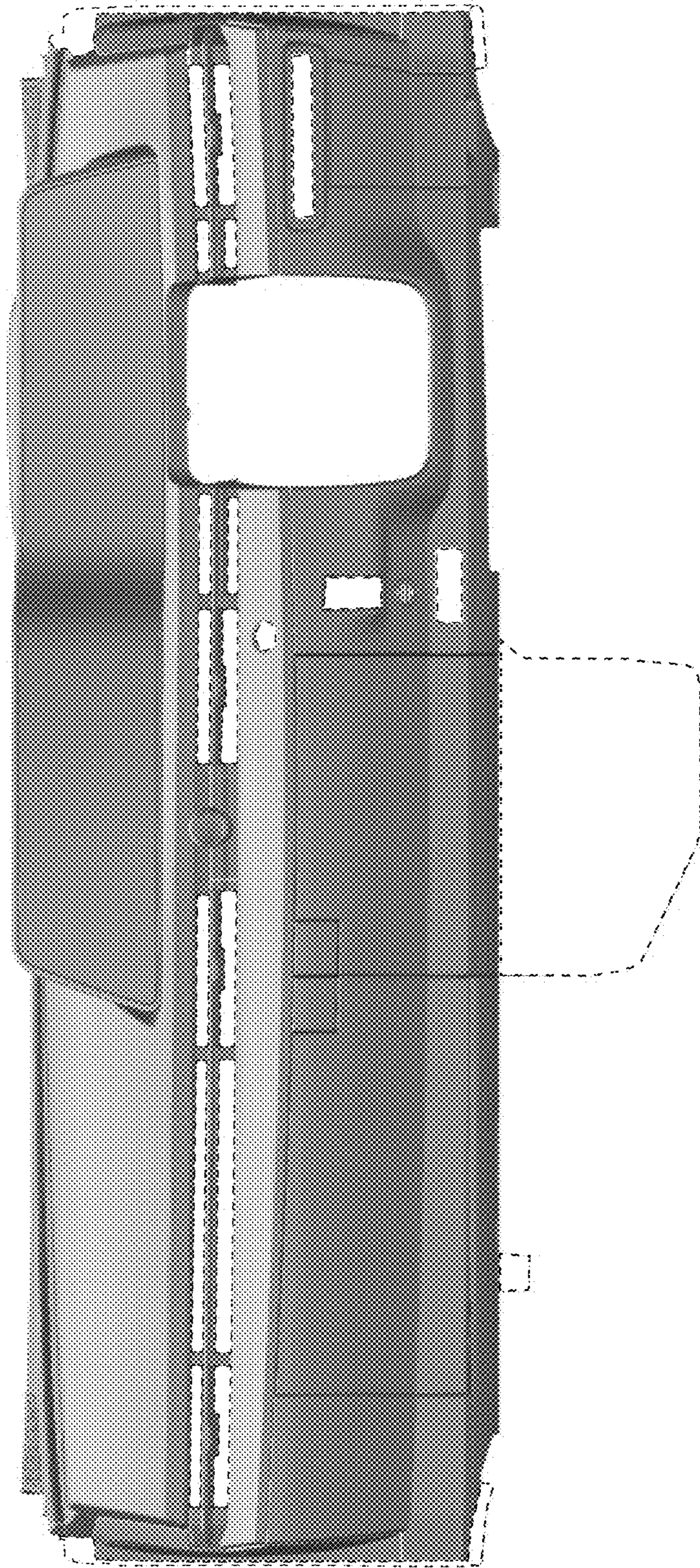


FIG. 3



FIG. 4

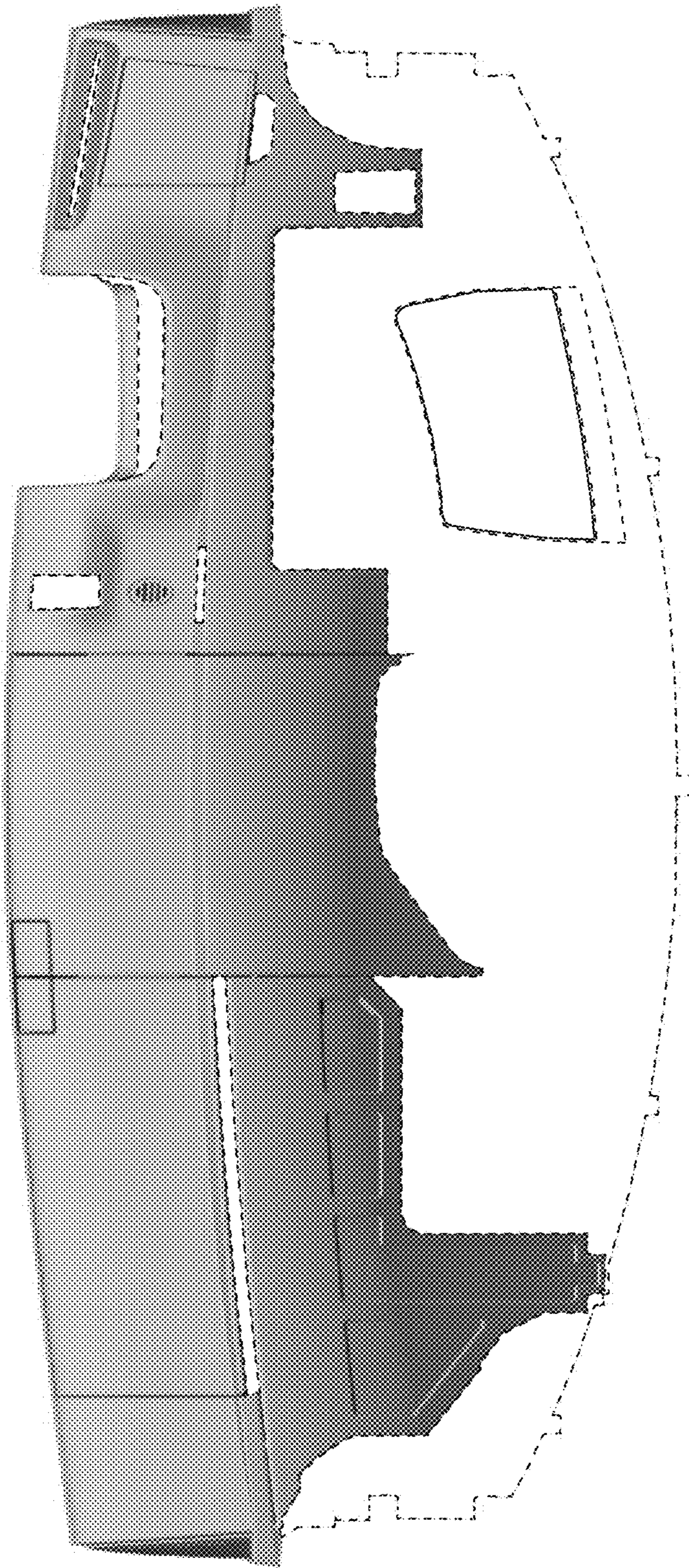


FIG. 5

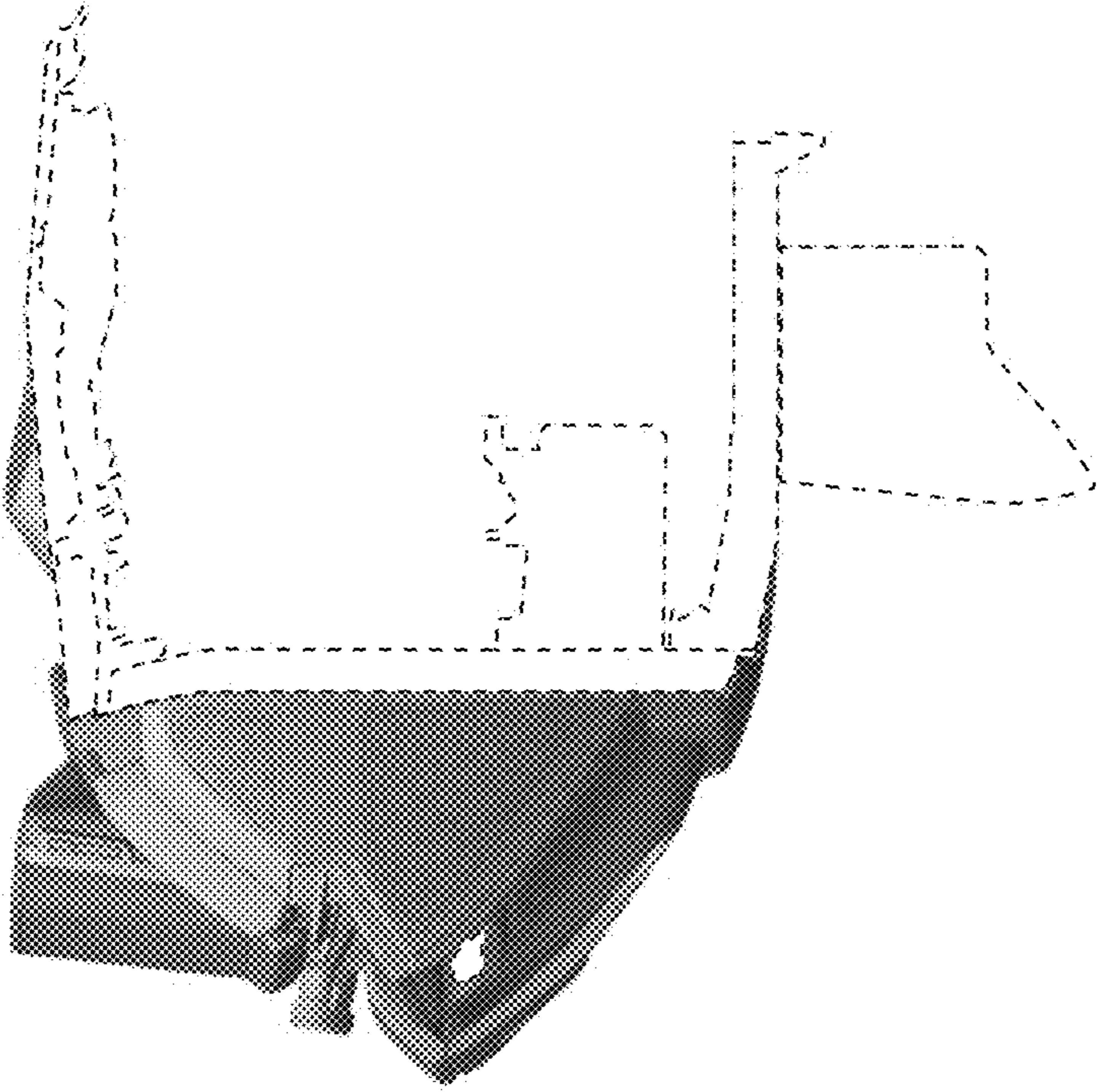


FIG. 6

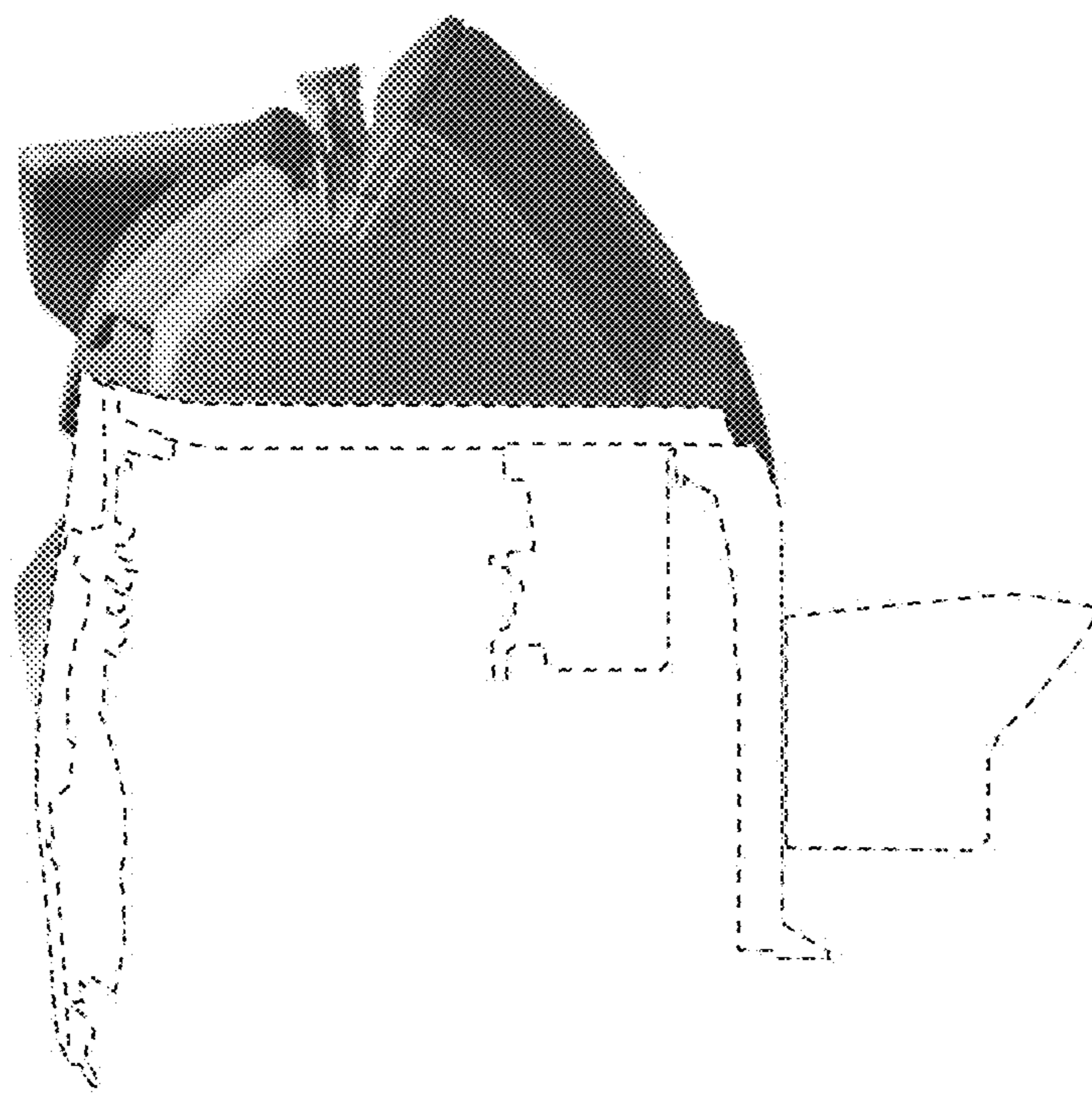


FIG. 7