



US00D952528S

(12) **United States Design Patent**  
**Zheng**

(10) **Patent No.:** **US D952,528 S**

(45) **Date of Patent:** **\*\* May 24, 2022**

(54) **CAR FRONT SPLITTER**

(71) Applicant: **Xiaojuan Zeng**, Fuzhou (CN)

(72) Inventor: **Shuangquan Zheng**, Putian (CN)

(\*\*) Term: **15 Years**

(21) Appl. No.: **29/787,111**

(22) Filed: **Jun. 4, 2021**

(51) **LOC (13) Cl.** ..... **12-16**

(52) **U.S. Cl.**  
USPC ..... **D12/169**

(58) **Field of Classification Search**  
USPC ..... D12/86, 90, 91, 92, 163, 164, 167, 169,  
D12/171, 172, 196, 216  
CPC ..... B60R 19/02; B60R 19/18; B60R 19/24;  
B60R 19/56; B60R 2019/007  
See application file for complete search history.

(56) **References Cited**

U.S. PATENT DOCUMENTS

D601,063 S *	9/2009	Lamm	.....	D12/169
D603,765 S *	11/2009	Youn	.....	D12/169
D607,384 S *	1/2010	Krauss	.....	D12/181
8,210,600 B1 *	7/2012	Verhee	.....	B62D 35/005 296/180.1
D699,168 S *	2/2014	Osborne	.....	D12/169
D711,298 S *	8/2014	Jamieson	.....	D12/181
D813,747 S *	3/2018	Behmer	.....	D12/169
D822,557 S *	7/2018	DiCanzio	.....	D12/169
D848,321 S *	5/2019	Lu	.....	D12/181
D864,063 S *	10/2019	DiCanzio	.....	D12/181
D876,300 S	2/2020	Chiang	.....	
D877,010 S *	3/2020	Morgan	.....	D12/169
D879,683 S *	3/2020	Endo	.....	D12/169
D944,701 S *	3/2022	Piaskowski	.....	D12/196
2012/0292943 A1 *	11/2012	Danev	.....	B62D 35/005 296/180.1

2015/0175222 A1 *	6/2015	Reuvekamp	.....	B62D 35/005 296/180.1
2020/0324833 A1 *	10/2020	Danev	.....	B62D 35/005
2021/0070379 A1 *	3/2021	Mao	.....	H02K 7/003

OTHER PUBLICATIONS

“JDM 3 Pieces Style Glossy Black Front Bumper Lip Spoiler Splitter Compatible With 2018-2020 Toyota Camry SE XSE.” Amazon., Sep. 29, 2016 [online], [retrieved on Mar. 25, 2022]. Retrieved from the Internet <URL: <https://www.amazon.com/Pieces-Spoiler-Splitter-Compatible-2018-2020/dp/B07L6Q174V>>.\*

“Don’t Buy A Carbon Fiber Front Bumper Spoiler Lip Until You Read This!” All-Fit Automotive., Feb. 12, 2020 [online], [retrieved on Mar. 25, 2022]. Retrieved from the Internet <URL: <https://allfitautomotive.com/blog/carbon-fiber-front-bumper-need-to-know/>>.\*

Zac Ludicrous. “7 Tesla Model 3 Front Lip Spoilers That Increase Range & Look Slick (Buying Guide).” Tune Up., Jan. 2, 2022 [online], [retrieved on Mar. 25, 2022]. Retrieved from the Internet <URL: <https://teslatuneup.com/tesla-model-3-front-lip-spoiler/>>.\*

\* cited by examiner

*Primary Examiner* — Darlington Ly

(74) *Attorney, Agent, or Firm* — Rumit Ranjit Kanakia

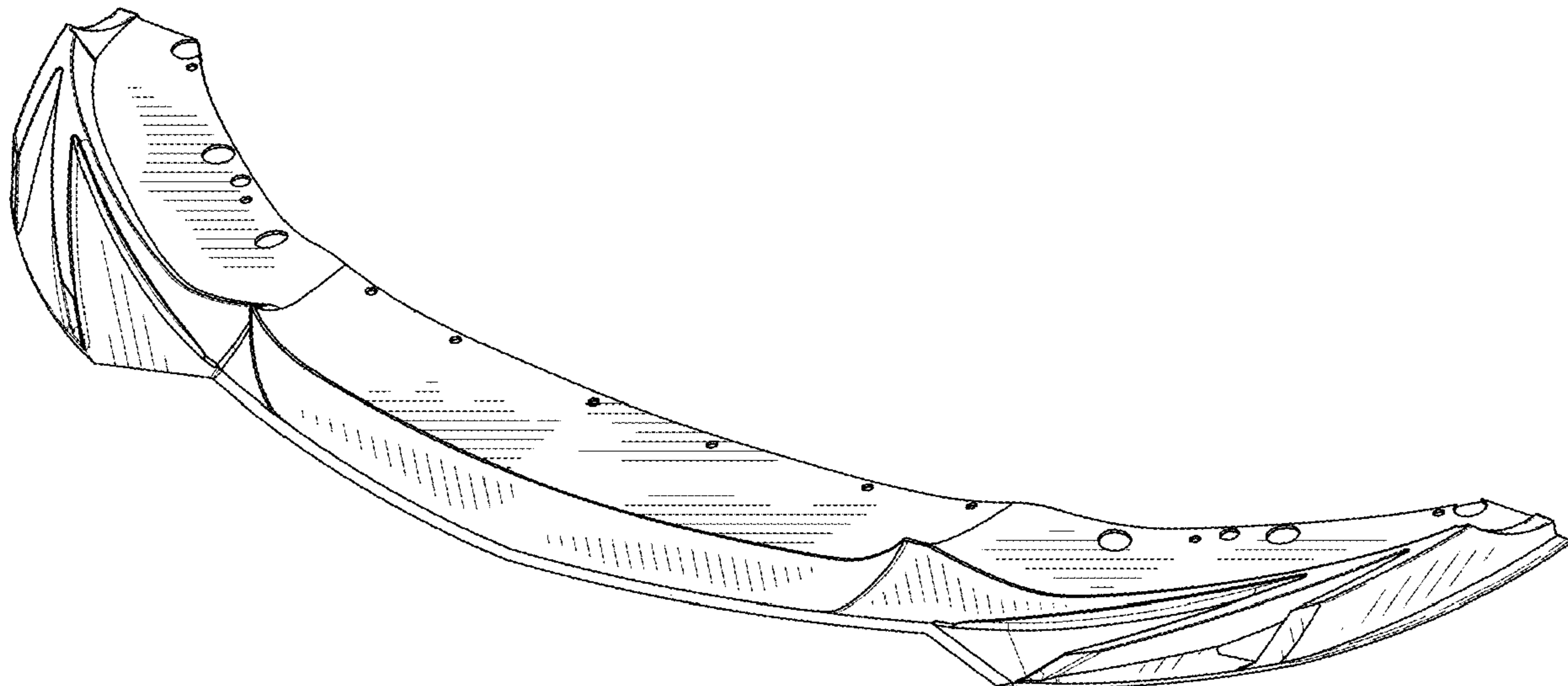
(57) **CLAIM**

I claim the ornamental design for a car front splitter, as shown and described.

**DESCRIPTION**

FIG. 1 is a top, front, and left side perspective view of a car front splitter embodying my new design;  
 FIG. 2 is a front elevation view thereof;  
 FIG. 3 is a rear elevation view thereof;  
 FIG. 4 is a left side elevation view thereof;  
 FIG. 5 is a right side elevation view thereof;  
 FIG. 6 is a top plan view thereof; and,  
 FIG. 7 is a bottom plan view thereof.

**1 Claim, 6 Drawing Sheets**



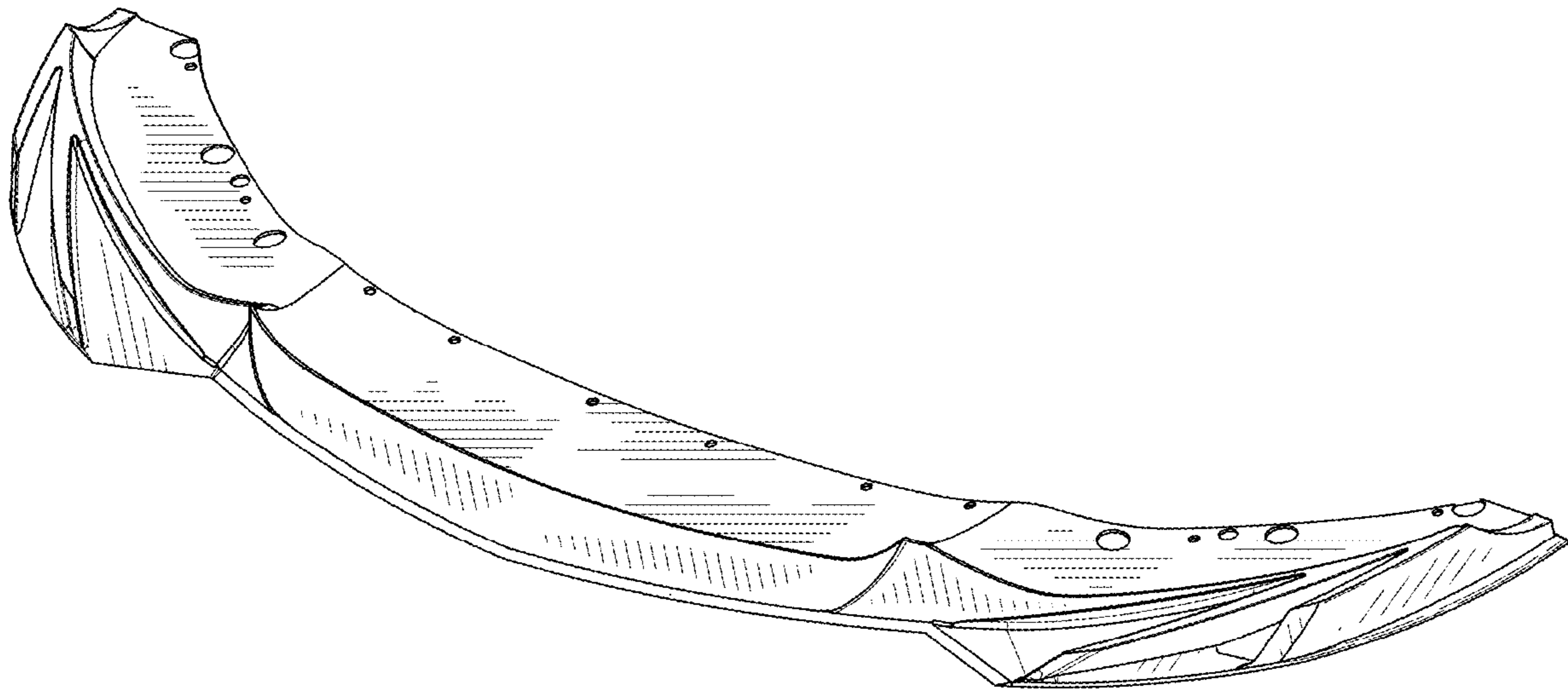


FIG. 1

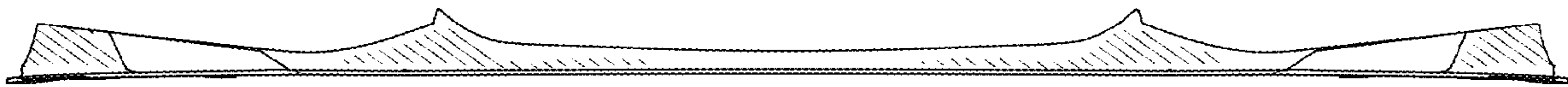


FIG. 2

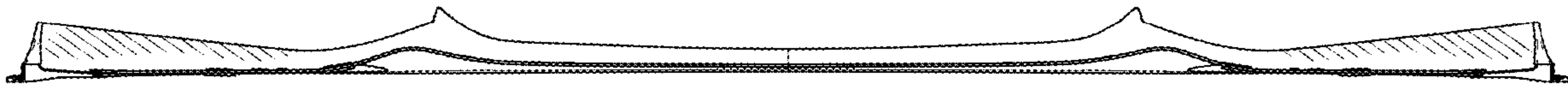


FIG. 3



FIG. 4



FIG. 5

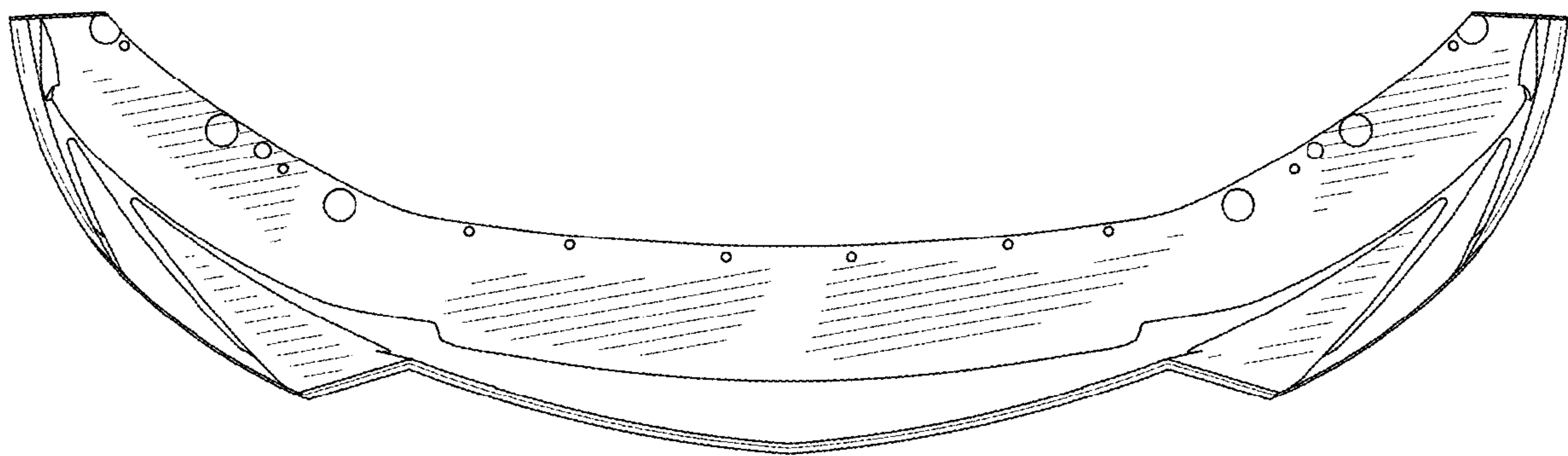


FIG. 6

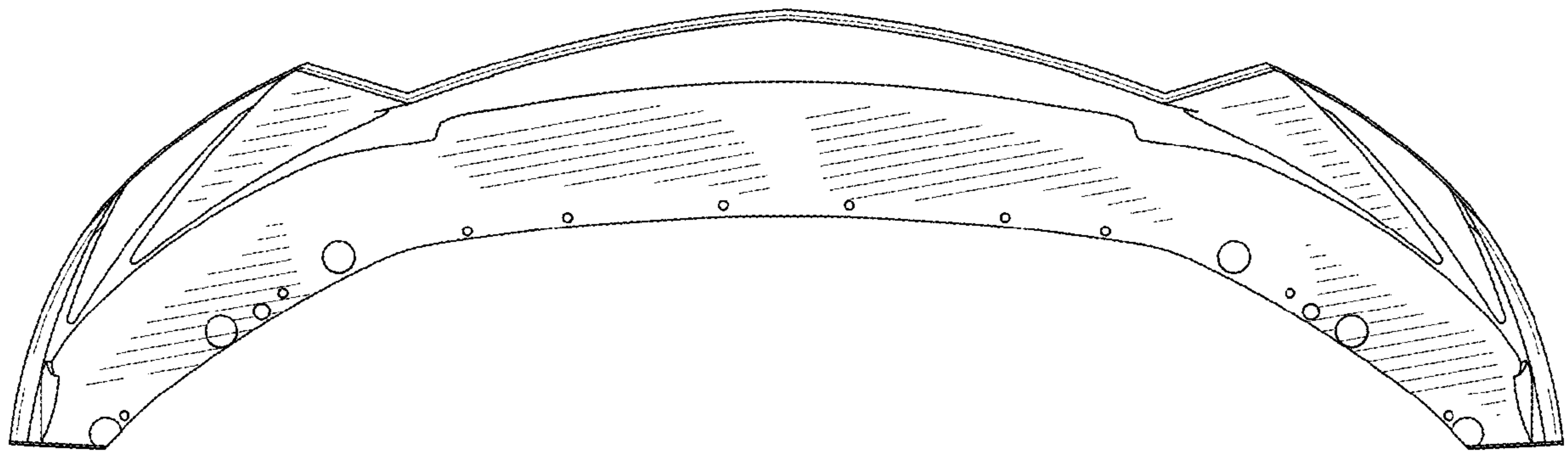


FIG. 7