



US00D952525S

(12) **United States Design Patent** (10) **Patent No.:** **US D952,525 S**
He (45) **Date of Patent:** **** May 24, 2022**

(54) **CAR GRILLE**

(71) Applicant: **Danyang Weisheng Automobile Technology Co., Ltd., Danyang (CN)**

(72) Inventor: **Guoqing He, Danyang (CN)**

(73) Assignee: **Danyang Weisheng Automobile Technology Co., Ltd.**

(**) Term: **15 Years**

(21) Appl. No.: **29/772,239**

(22) Filed: **Feb. 28, 2021**

(30) **Foreign Application Priority Data**

Sep. 1, 2020 (CN) 202030510539.8

(51) **LOC (13) Cl.** **12-16**

(52) **U.S. Cl.**
USPC **D12/163**

(58) **Field of Classification Search**
USPC D12/82, 85, 86, 88, 89, 90, 91, 92, 93,
D12/94, 96, 98, 99, 163, 164, 165, 166,
D12/167, 169, 170, 171, 172, 173, 181,
D12/190, 192, 196, 223, 400; D21/533,
D21/548, 552, 561

CPC B60R 19/00; B60R 19/02; B60R 19/04;
B60R 19/16; B60R 19/18; B60R 19/24;
B60R 19/26; B60R 19/44; B60R 19/48;
B60R 19/52; B60R 19/56; B60R
2019/007; B60R 2019/026; B60R
2019/522; B60R 2019/525; B60R
2019/527; B60R 2019/1813; B60R
2019/1833; B60R 2019/1886; B62D
25/02; B62D 25/08; B62D 25/16; B60K
11/08; B60K 11/085

See application file for complete search history.

(56) **References Cited**

U.S. PATENT DOCUMENTS

| | | | | | | |
|------------|----|---|---------|-------------|-------|------------|
| D906,188 | S | * | 12/2020 | Wraith | | D12/163 |
| D906,189 | S | * | 12/2020 | Wraith | | D12/163 |
| D906,190 | S | * | 12/2020 | Wraith | | D12/163 |
| D907,538 | S | * | 1/2021 | Gittin, Jr. | | D12/163 |
| D919,494 | S | * | 5/2021 | Wraith | | D12/163 |
| D919,495 | S | * | 5/2021 | Wraith | | D12/163 |
| 11,034,317 | B2 | * | 6/2021 | Salter | | F21S 41/24 |
| D925,409 | S | * | 7/2021 | Sahara | | D12/163 |
| D929,274 | S | * | 8/2021 | Piaskowski | | D12/163 |
| 11,077,811 | B2 | * | 8/2021 | Shenaq | | B60R 21/34 |
| D931,154 | S | * | 9/2021 | Park Cheng | | D12/163 |
| D933,548 | S | * | 10/2021 | Willing | | D12/163 |
| D941,197 | S | * | 1/2022 | Wraith | | D12/163 |

OTHER PUBLICATIONS

Grilles. (Design—© Questel) orbit.com. [Online PDF compilation of references] 43 pgs. Print Dates Range Jul. 31, 2021-Apr. 2, 2021 [Retrieved Jan. 26, 2022].*

(Continued)

Primary Examiner — Manpreet S Matharu

Assistant Examiner — Suzanne E Tisdell

(74) *Attorney, Agent, or Firm* — Timothy T. Wang; Ni, Wang & Massand, PLLC

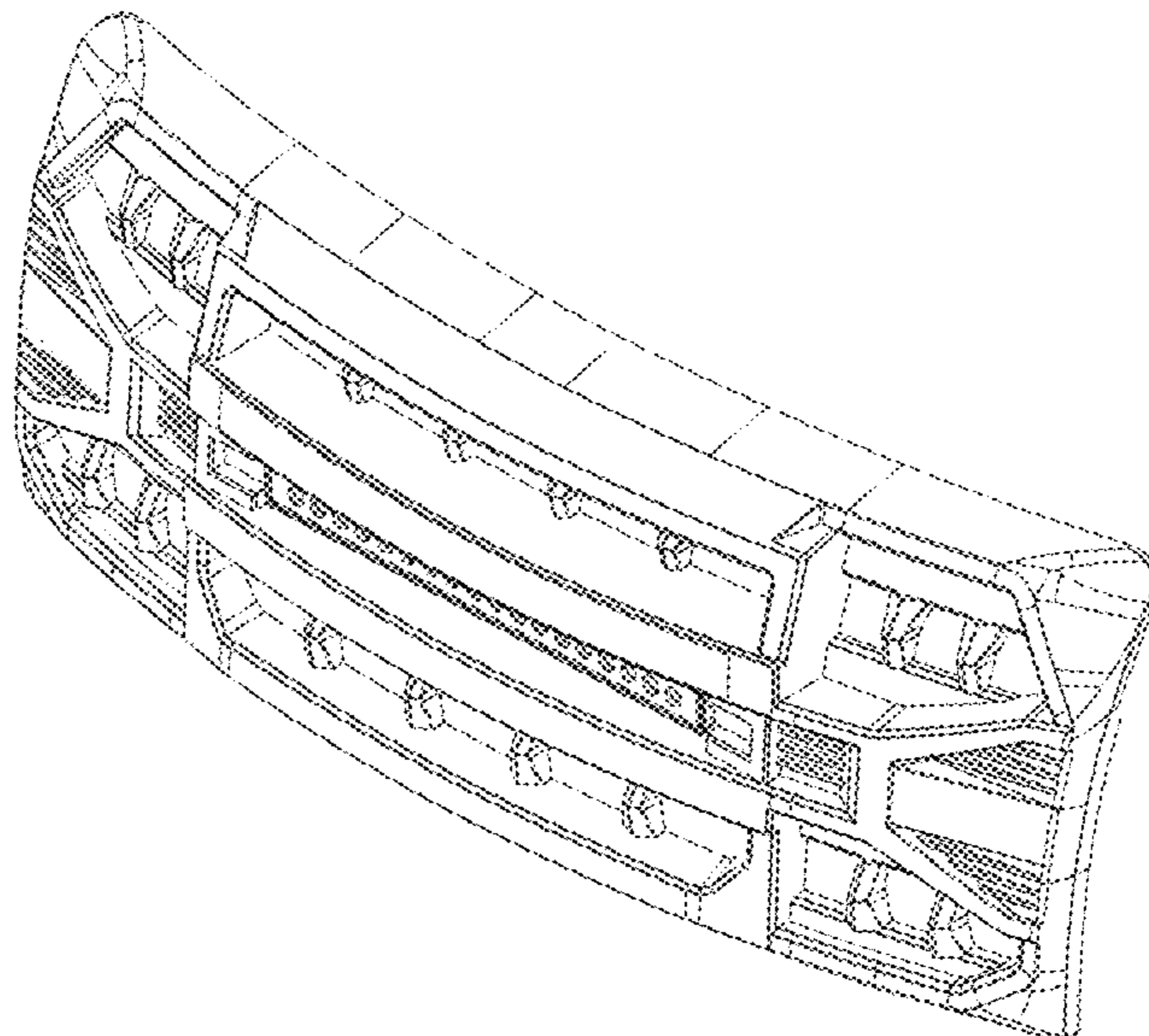
(57) **CLAIM**

The ornamental design for a car grille, as shown and described.

DESCRIPTION

FIG. 1 is a front perspective view of a car grille showing my new design;
FIG. 2 is a front elevational view thereof;
FIG. 3 is a back elevational view thereof;
FIG. 4 is a left-side elevational view thereof;
FIG. 5 is a right-side elevational view thereof;
FIG. 6 is a top plan view thereof; and,
FIG. 7 is a bottom plan view thereof.

1 Claim, 6 Drawing Sheets



(56)

References Cited

OTHER PUBLICATIONS

Rough Country Mesh LED Grille Insert. Jan. 22, 2019. Amazon. <https://www.amazon.com/Rough-Country-Laser-Cut-Grille-30-inch/dp/B073L8HW7F>.*

2018-2019 Ford F-150 T Rex Torch AL Grille. Feb. 15, 2018. Youtube. <https://www.youtube.com/watch?v=W-9FmYfcyqg>.*

T-Rex ZRoadz Grille. Before Nov. 22, 2016. Real Truck. <https://realtruck.com/p/t-rex-zroadz-grille/>.*

* cited by examiner

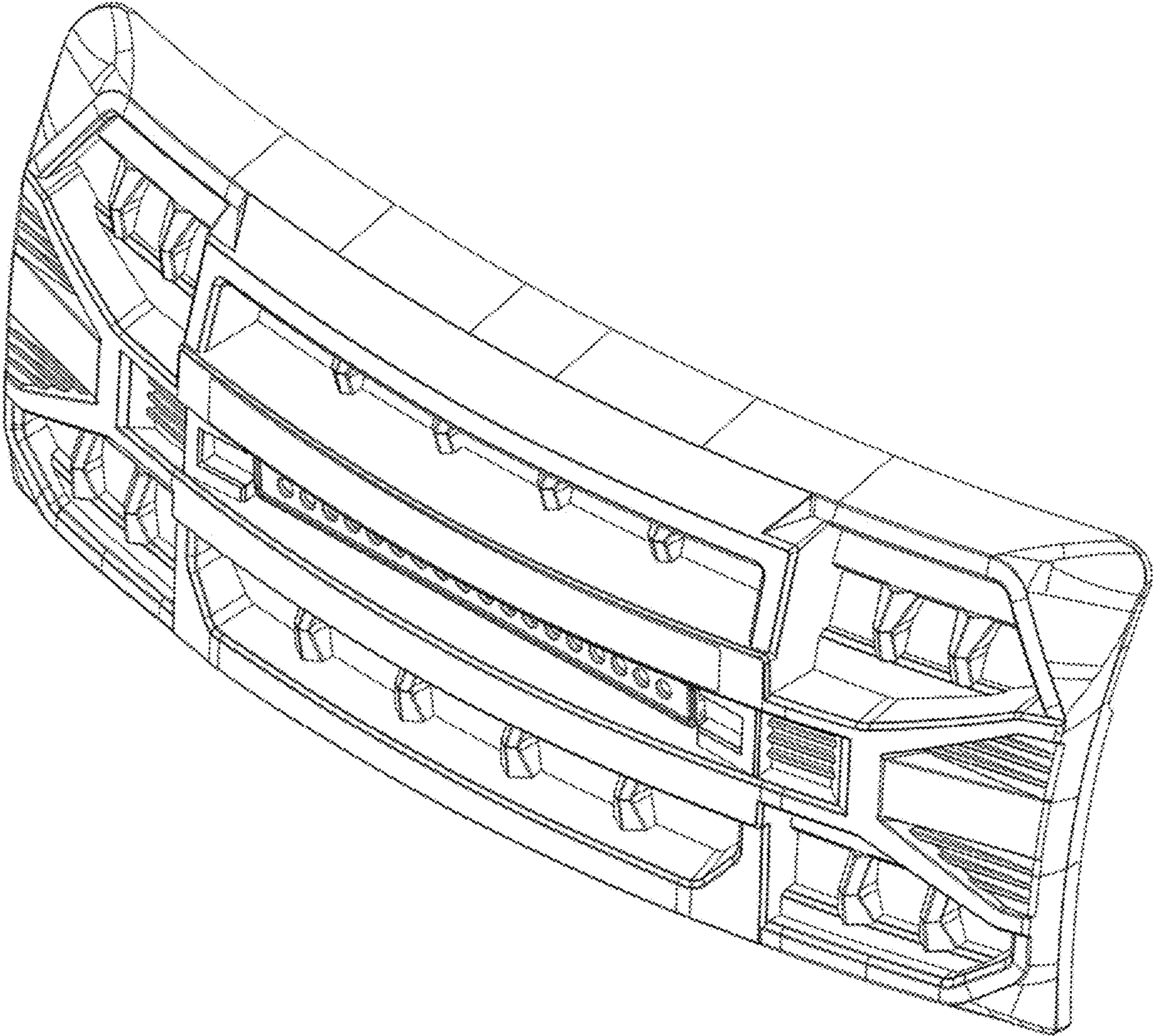


Fig. 1

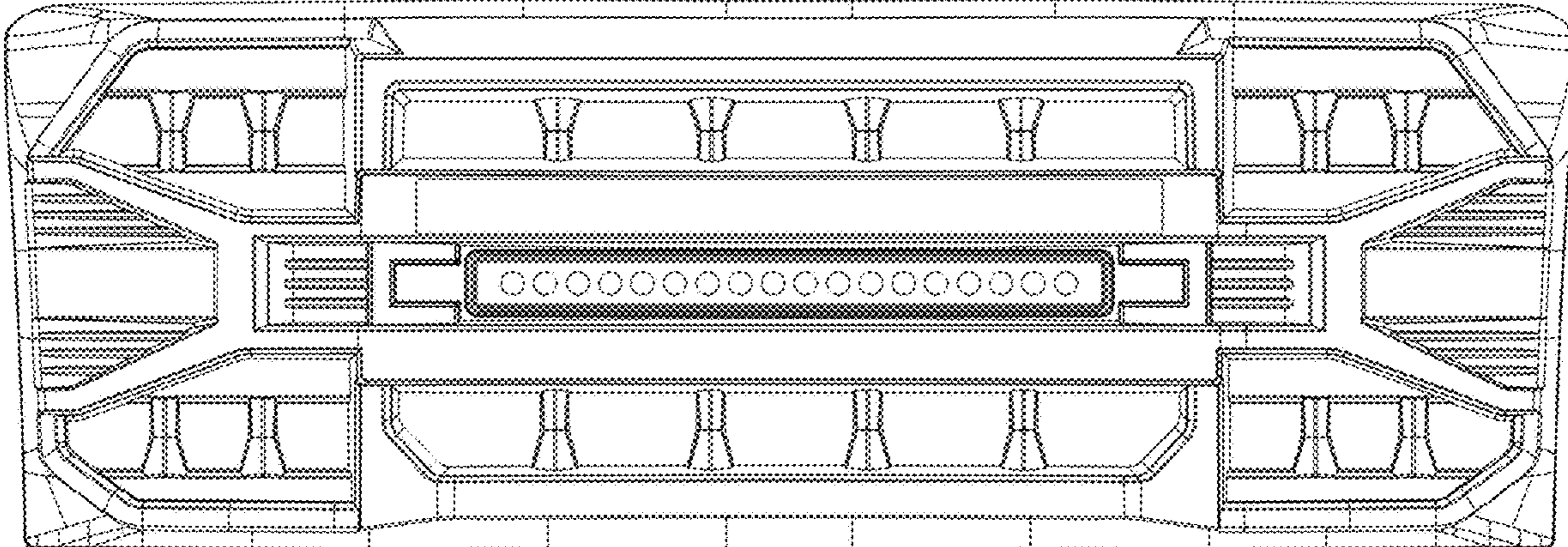


Fig. 2

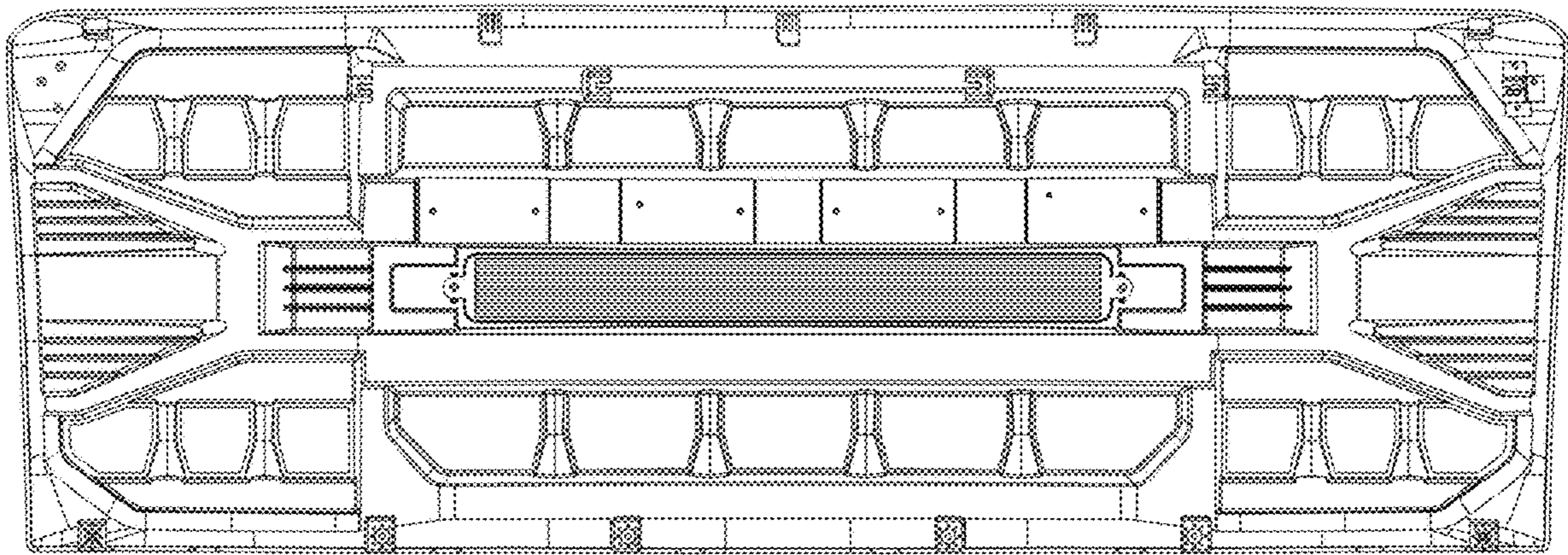


Fig. 3

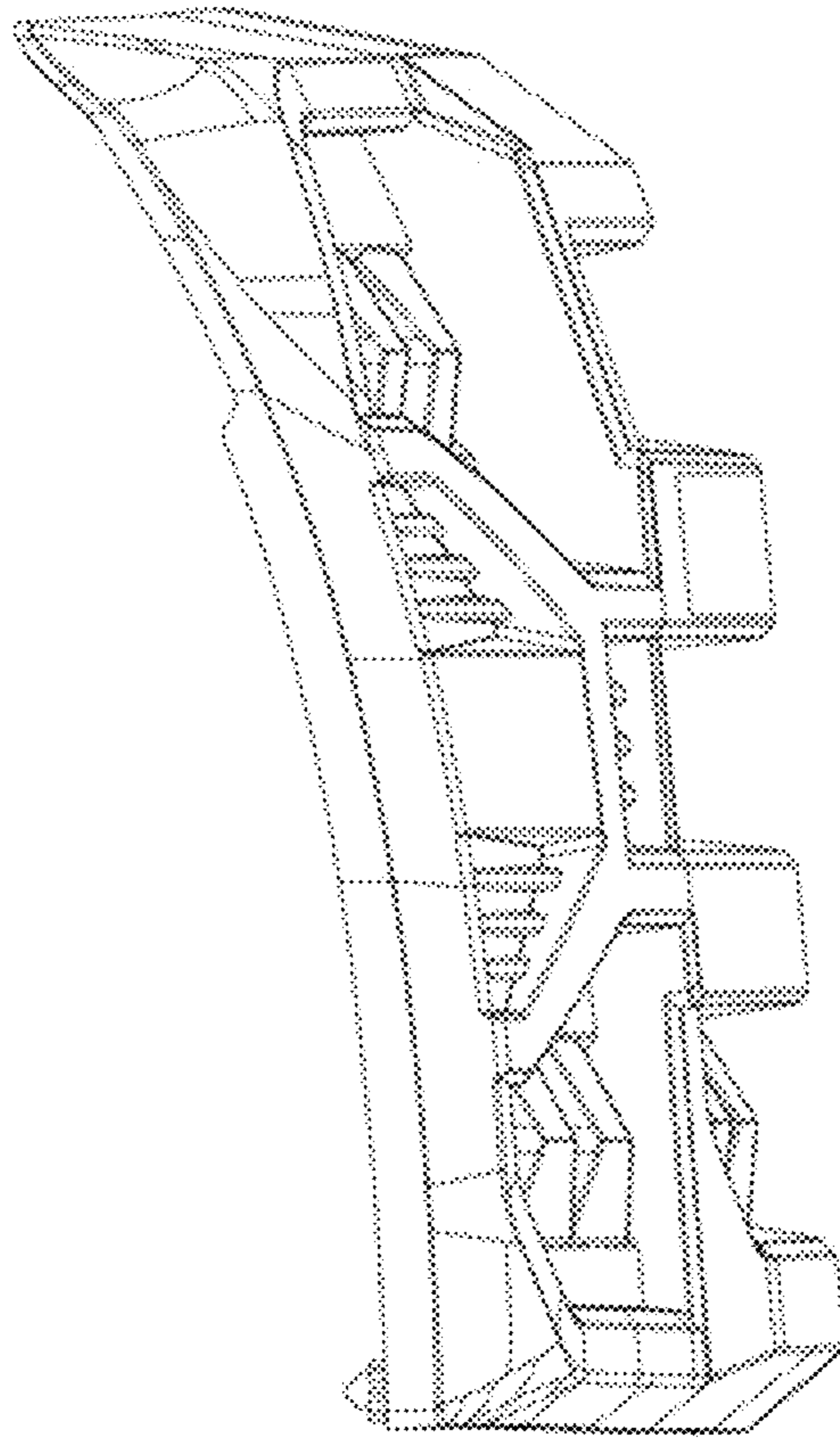


Fig. 4

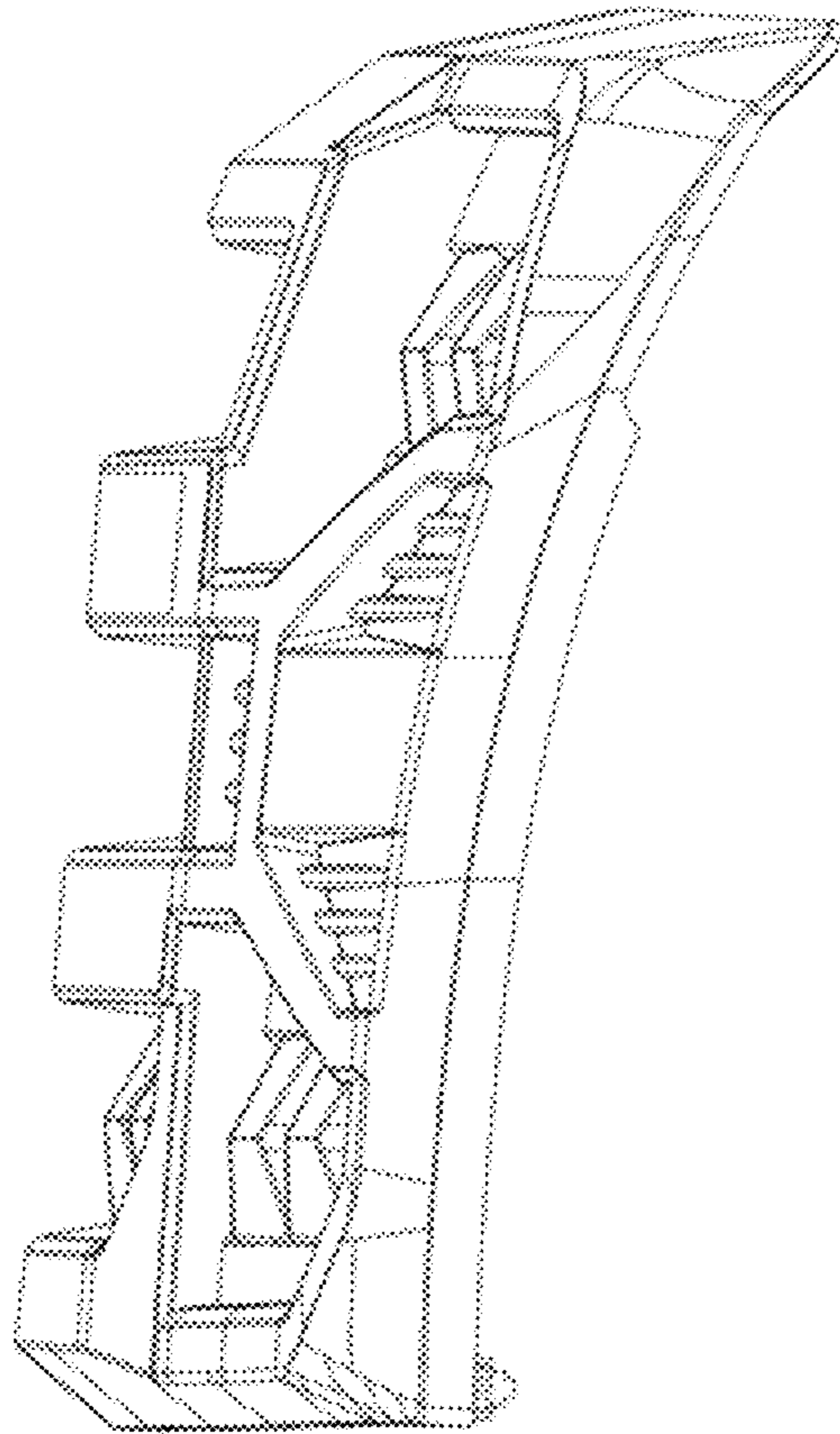


Fig. 5

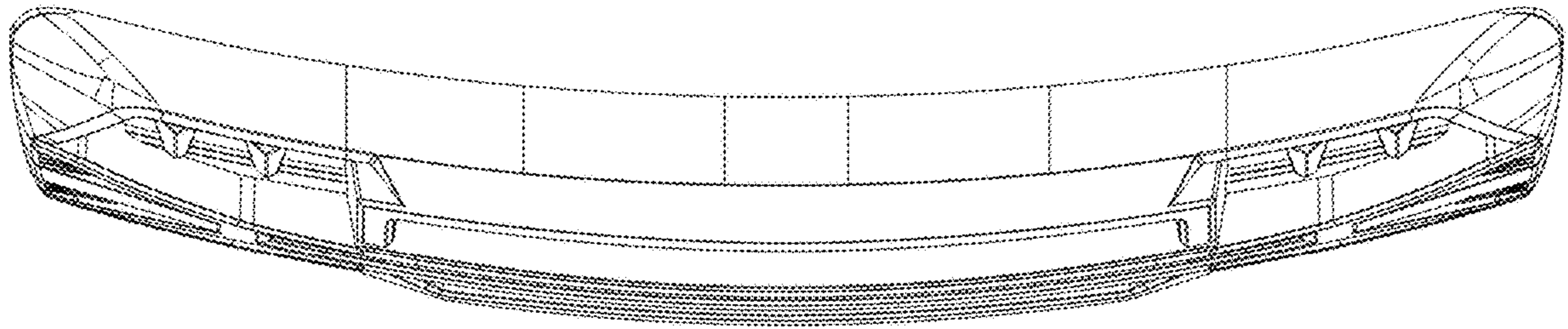


Fig. 6

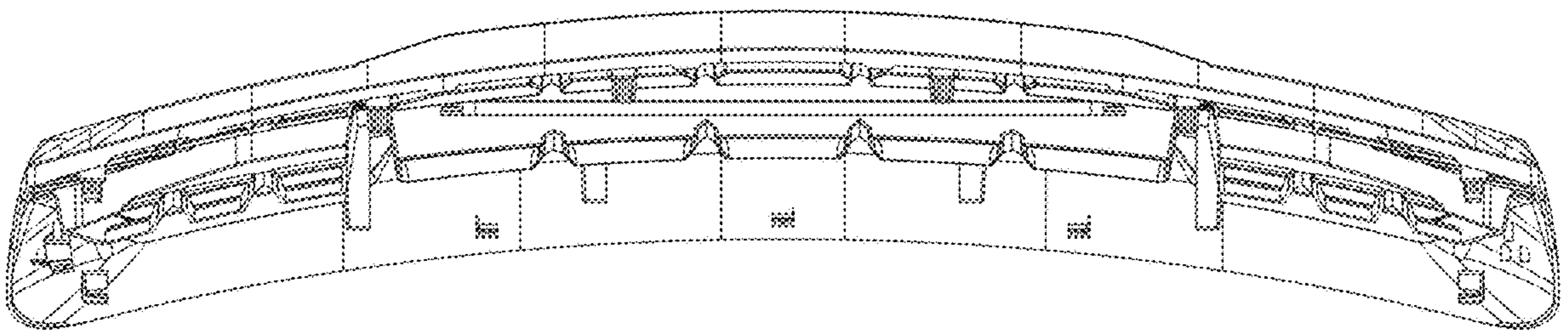


Fig. 7