



US00D952522S

(12) **United States Design Patent** (10) **Patent No.:** **US D952,522 S**
Wu (45) **Date of Patent:** **** May 24, 2022**

(54) **LINK PLATE**
(71) Applicant: **KMC CHAIN INDUSTRIAL CO., LTD.**, Tainan (TW)
(72) Inventor: **Daniel Wu**, Tainan (TW)
(73) Assignee: **KMC CHAIN INDUSTRIAL CO., LTD.**, Tainan (TW)

D929,307 S * 8/2021 Brown D12/414
D941,227 S * 1/2022 Spencer D12/345
2017/0251806 A1 * 9/2017 Newman A47B 9/20
2021/0300225 A1 * 9/2021 Hwang B60N 2/12
2021/0300226 A1 * 9/2021 Burggraf B61D 37/00
2021/0321765 A1 * 10/2021 Kwon A63G 13/04
2021/0380148 A1 * 12/2021 Pinzauti B60N 3/001
2022/0063458 A1 * 3/2022 Lee B60J 5/10

(**) Term: **15 Years**
(21) Appl. No.: **29/766,076**
(22) Filed: **Jan. 13, 2021**

(30) **Foreign Application Priority Data**

Aug. 31, 2020 (TW) 109304949

(51) **LOC (13) Cl.** **12-11**
(52) **U.S. Cl.**
USPC **D12/114**
(58) **Field of Classification Search**
USPC D12/114, 124, 608; D8/400-499
CPC F16G 13/02; F16G 13/06; F16G 13/04
See application file for complete search history.

(56) **References Cited**

U.S. PATENT DOCUMENTS

5,957,062 A * 9/1999 Cox A47B 3/0815
108/133
D415,995 S * 11/1999 Kanehl, Jr. D12/419
D782,957 S * 4/2017 Dall’Era D12/416
D801,256 S * 10/2017 Kasparian D12/425
D825,238 S * 8/2018 Tsukii D6/699
D879,267 S * 3/2020 Terrill D23/308
D889,384 S * 7/2020 Cantrell D12/426.1
D912,606 S * 3/2021 Chen D12/412
D919,553 S * 5/2021 Pribicevich D12/425

OTHER PUBLICATIONS

“JOVITEC 3 Pairs Bicycle Missing Link” JOVITEC., Jun. 16, 2018 [online], [retrieved on Mar. 9, 2022]. Retrieved from the Internet <URL: <https://www.amazon.com/Jovitec-Bicycle-Missing-Reusable-Silver/dp/B07FNHWQSL>> (Year: 2018).*
“Hotop 8 Pairs Bicycle Missing Link” Hotop., Apr. 12, 2018 [online], [retrieved on Mar. 9, 2022]. Retrieved from the Internet <URL: <https://www.amazon.com/Hotop-Bicycle-Missing-Silver-Reusable/dp/B07SJKZ3BW>> (Year: 2018).*

(Continued)

Primary Examiner — Darlington Ly
Assistant Examiner — Nasim Abdulaziz Ali

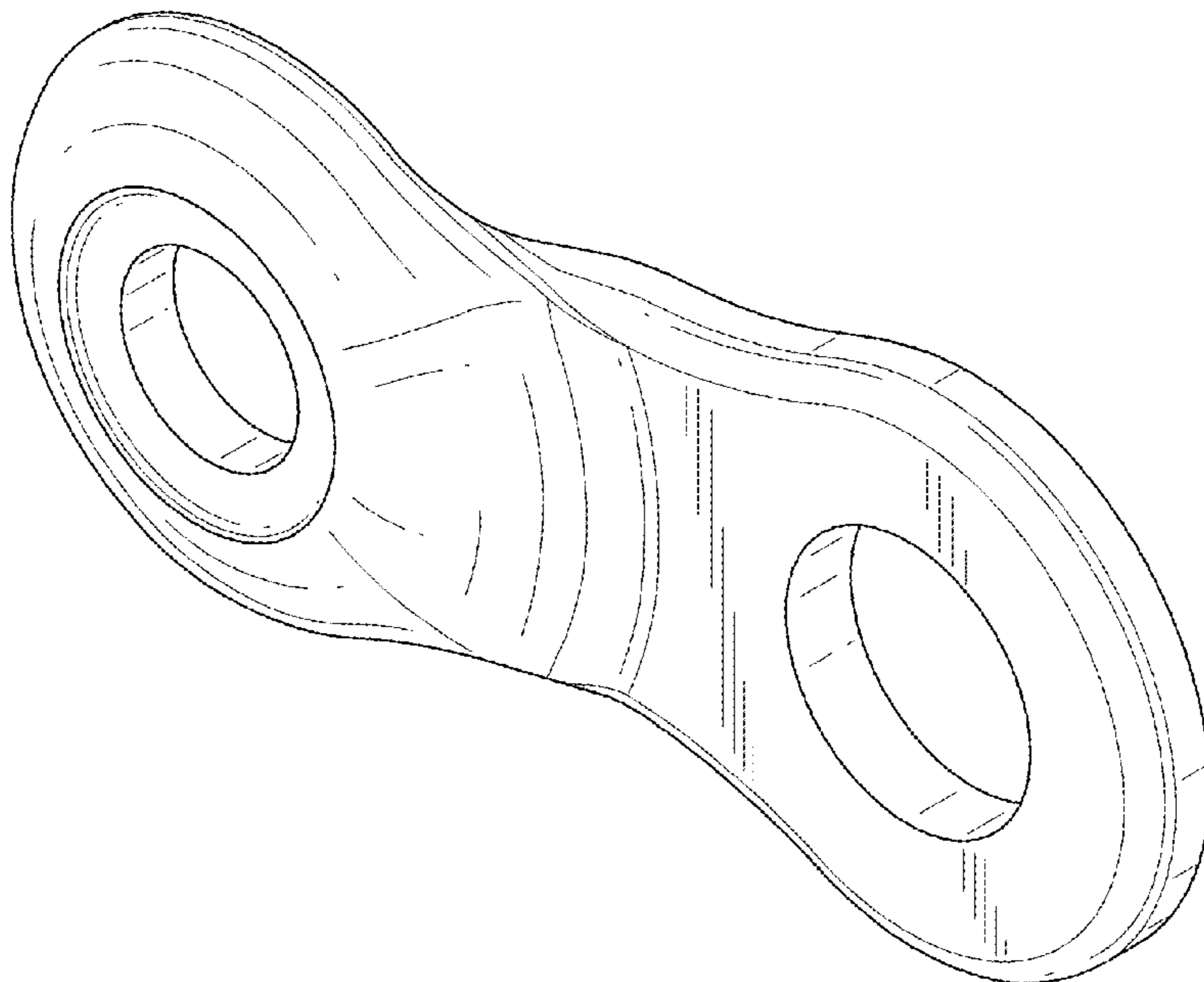
(57) **CLAIM**

The ornamental design for a link plate, as shown and described.

DESCRIPTION

FIG. 1 is a front right perspective view of a link plate showing my new design;
FIG. 2 is a rear right perspective view thereof;
FIG. 3 is a front elevational view thereof;
FIG. 4 is a rear elevational view thereof;
FIG. 5 is a left side elevational view thereof;
FIG. 6 is a right side elevational view thereof;
FIG. 7 is a top plan view thereof; and,
FIG. 8 is a bottom plan view thereof.

1 Claim, 5 Drawing Sheets



(56)

References Cited

OTHER PUBLICATIONS

“Shimano 11 Speed Quick-Link Connector” Shimano., Mar. 7, 2018 [online], [retrieved on Mar. 9, 2022]. Retrieved from the Internet <URL: <https://www.amazon.com/Shimano-Quick-Link-Connector-SM-CN900-Silver/dp/B07B9QLL1Q>> (Year: 2018).*

* cited by examiner

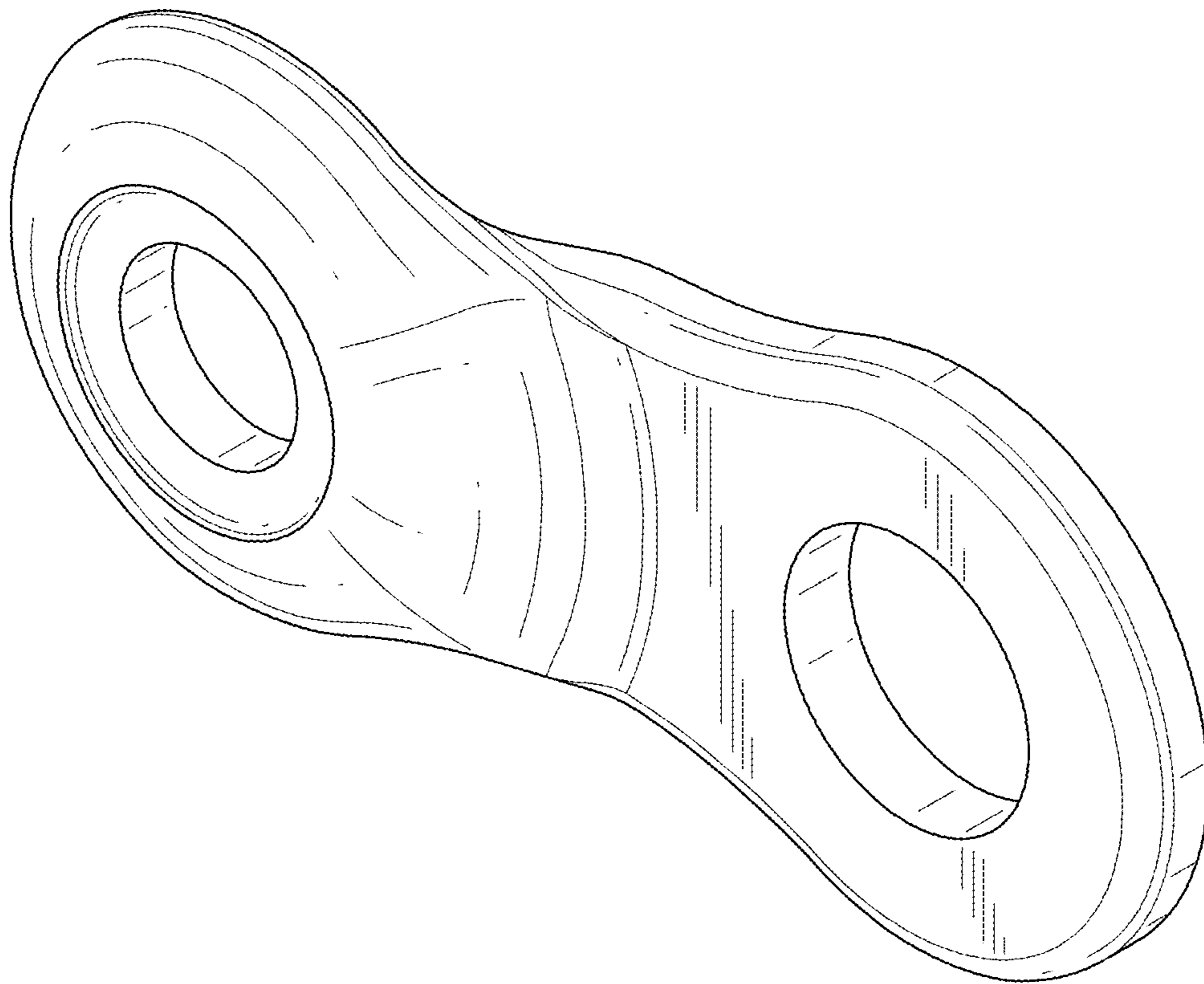


FIG. 1

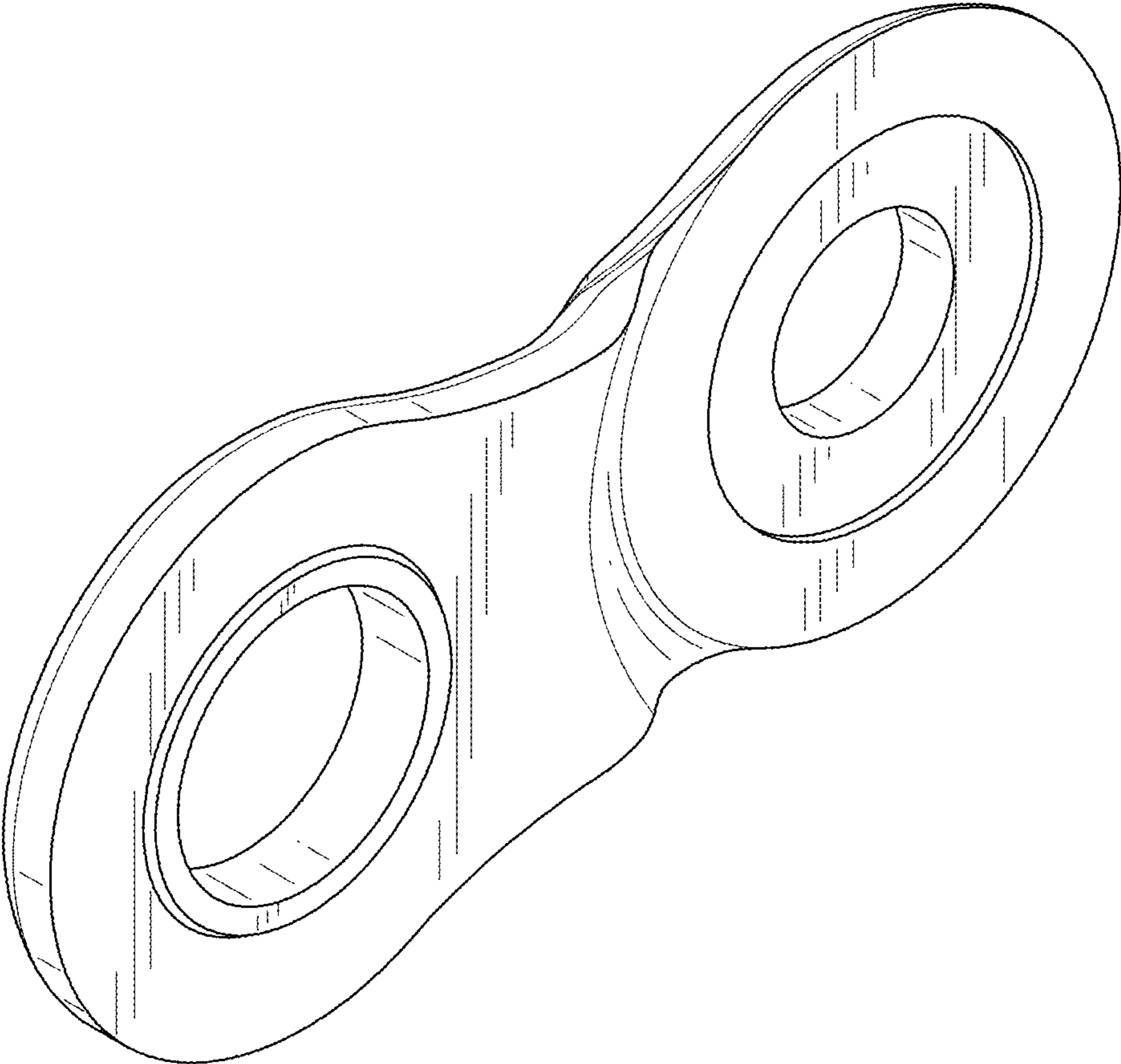


FIG.2

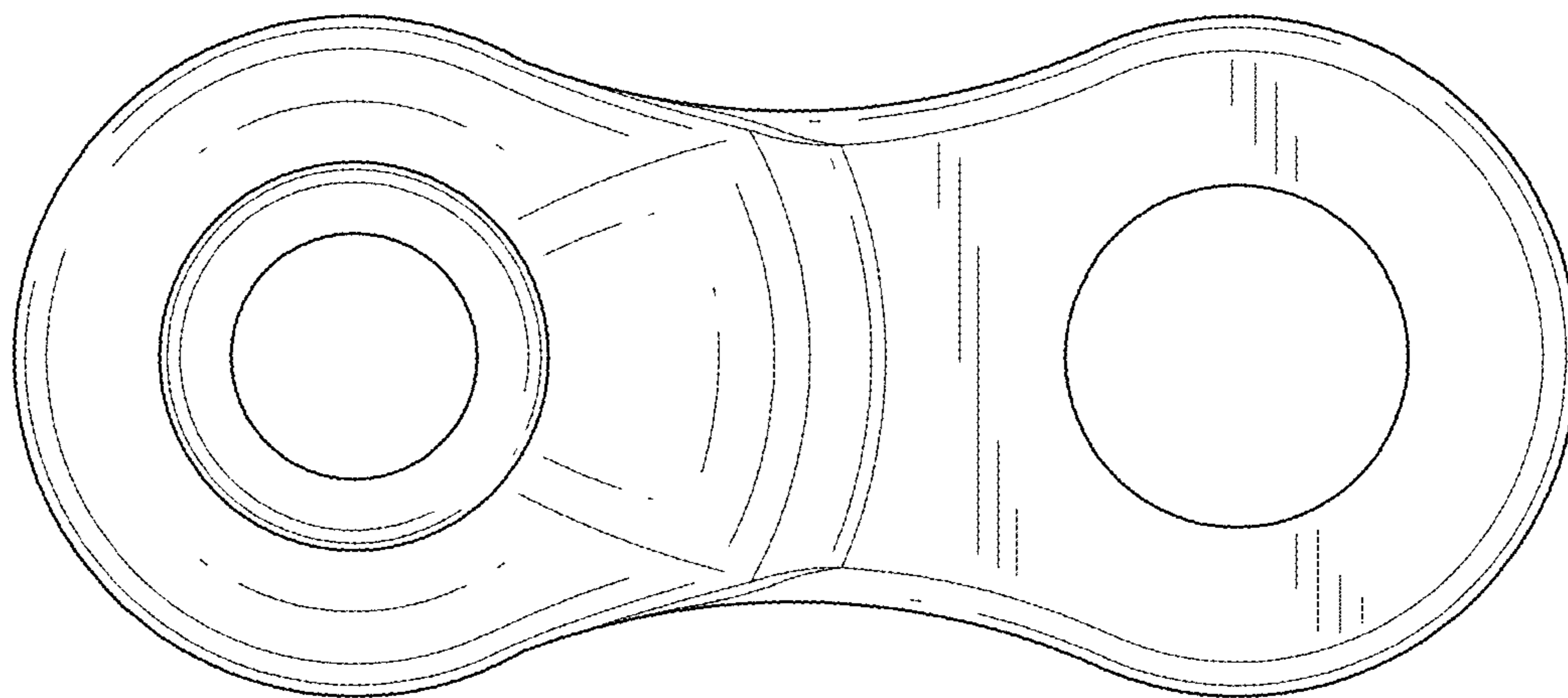


FIG.3

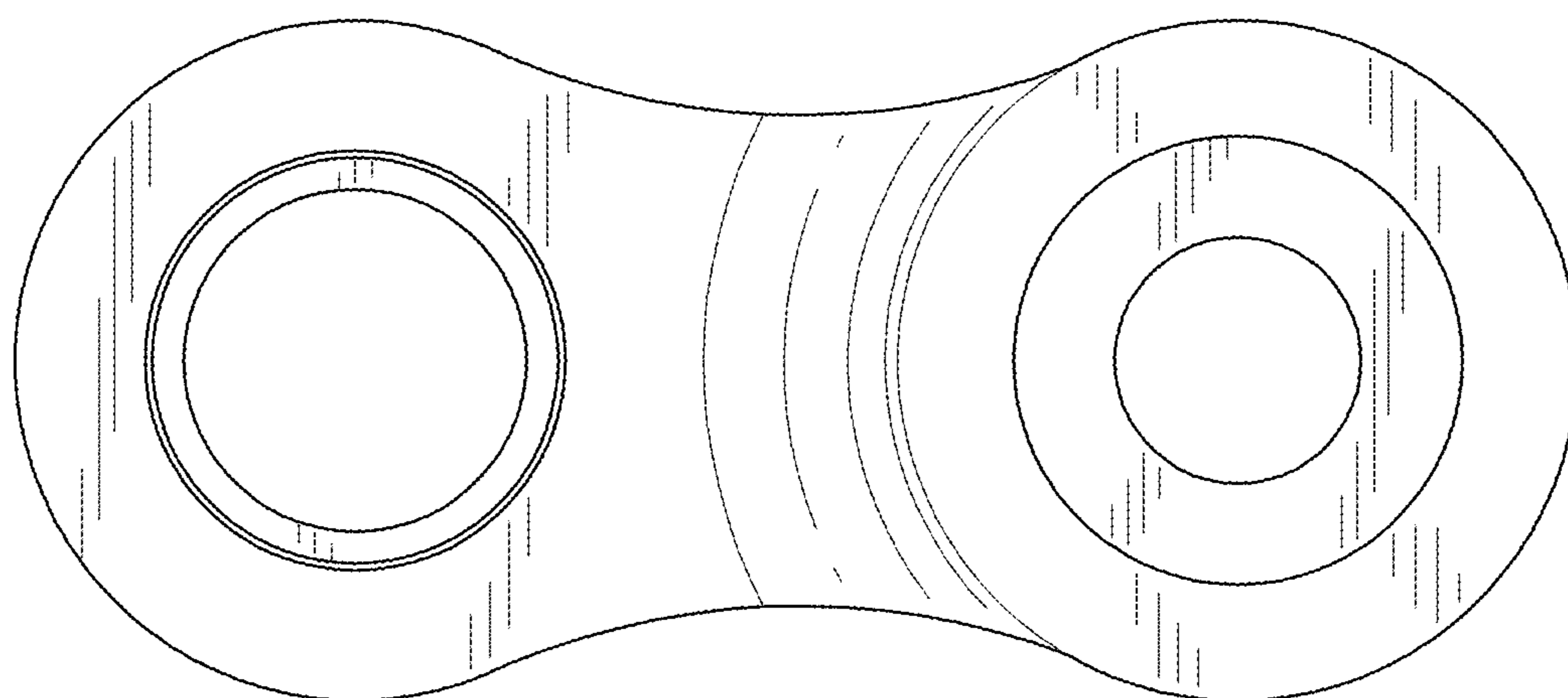


FIG.4

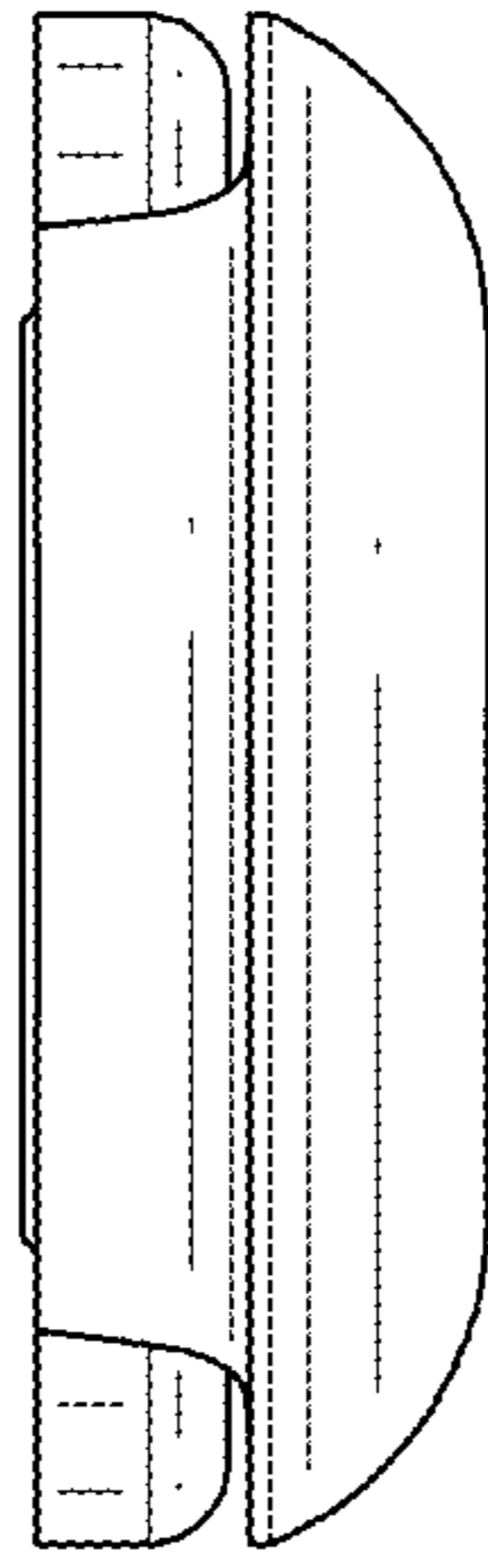


FIG. 5

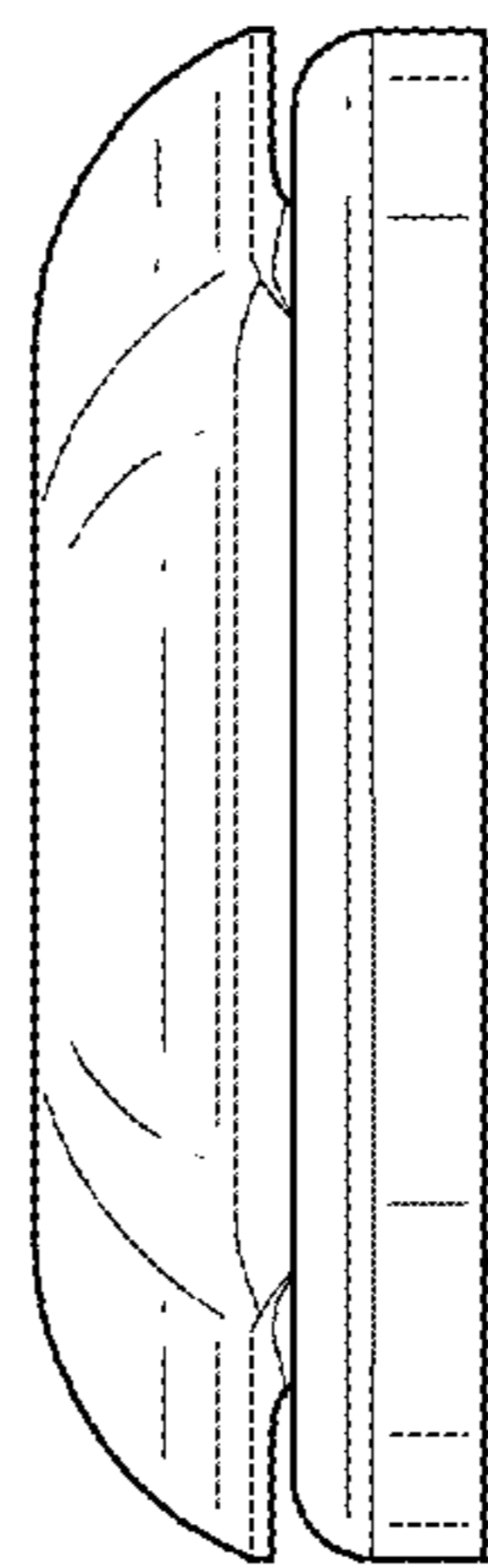


FIG. 6

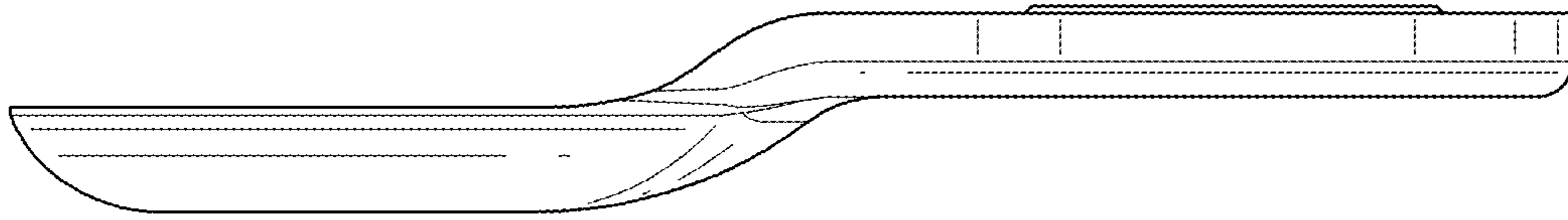


FIG. 7

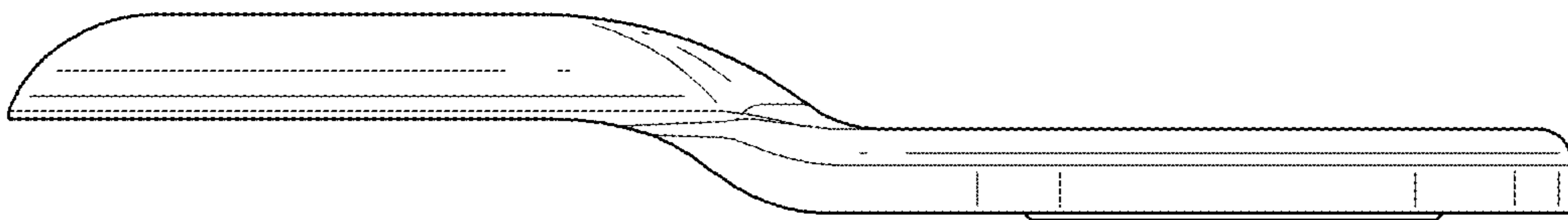


FIG. 8