



US00D952521S

(12) **United States Design Patent**
Wang

(10) **Patent No.:** **US D952,521 S**

(45) **Date of Patent:** **** May 24, 2022**

(54) **ELECTRIC BICYCLE**

(71) Applicant: **G-Force Inc**, Denver, CO (US)

(72) Inventor: **Xin Wang**, Xuzhou (CN)

(73) Assignee: **G-Force Inc**, Denver, CO (US)

(**) Term: **15 Years**

(21) Appl. No.: **29/787,430**

(22) Filed: **Jun. 7, 2021**

(30) **Foreign Application Priority Data**

May 11, 2021 (CN) 202130278373.6

(51) **LOC (13) Cl.** **12-11**

(52) **U.S. Cl.**
USPC **D12/111**

(58) **Field of Classification Search**
USPC D12/111, 117; D21/412, 414, 419,
D21/423-428, 431-435
CPC B62K 3/00; B62K 3/02; B62K 3/06
See application file for complete search history.

(56) **References Cited**

U.S. PATENT DOCUMENTS

- 5,836,602 A * 11/1998 Wang B62K 15/008
280/287
- 6,267,401 B1 * 7/2001 De Jong B62K 15/008
280/287
- D487,234 S * 3/2004 Chen D12/111
- 7,156,409 B2 * 1/2007 Chuang B62K 15/006
280/278
- D617,687 S * 6/2010 Brady D12/111
- D730,781 S 6/2015 Arbour et al.
- 9,205,889 B2 * 12/2015 Paick B62M 6/45
- D756,264 S * 5/2016 Thompson D12/11
- 9,359,036 B2 * 6/2016 Thompson B62K 15/008
- D774,972 S 12/2016 Lambri et al.
- 9,573,646 B2 * 2/2017 Lloyd B62M 7/06

- D795,747 S * 8/2017 Bailie D12/111
- D807,232 S * 1/2018 Bailie D12/111
- D807,233 S * 1/2018 Zhang D12/111
- D814,361 S * 4/2018 Shi D12/111
- D828,231 S * 9/2018 Yan D12/111
- D833,333 S * 11/2018 Yu D12/111
- D833,916 S * 11/2018 Yu D12/111
- 10,152,875 B2 * 12/2018 Khaligh B62M 6/55
- 10,183,591 B2 * 1/2019 Shieh B60L 50/64
- 10,207,758 B2 * 2/2019 Steinhauser B62H 1/06
- D843,269 S * 3/2019 Shi D12/111
- D850,982 S * 6/2019 Zhu D12/111
- 10,336,395 B2 * 7/2019 Li B62K 21/26
- D890,633 S * 7/2020 Zhou D12/111

(Continued)

OTHER PUBLICATIONS

“G-force Bike User Manual.” G-force., May 28, 2021 [online], [retrieved on Feb. 25, 2022]. Retrieved from the Internet <URL: <https://www.g-forcebike.com/pub/media/doc/Ebike-T41-user-manual.pdf>>.*

(Continued)

Primary Examiner — Darlington Ly

(74) *Attorney, Agent, or Firm* — Georgi Korobanov

(57) **CLAIM**

The ornamental design for an electric bicycle, as shown and described.

DESCRIPTION

FIG. 1 is a perspective view of an electric bicycle embodying my new design;
FIG. 2 is a left side elevation view thereof;
FIG. 3 is a right side elevation view thereof;
FIG. 4 is a front elevation view thereof;
FIG. 5 is a rear elevation view thereof;
FIG. 6 is a top plan view thereof; and,
FIG. 7 is a bottom plan view thereof.

1 Claim, 7 Drawing Sheets



(56)

References Cited

U.S. PATENT DOCUMENTS

D897,242 S * 9/2020 Yap D12/111
D898,625 S * 10/2020 Lin D12/111

OTHER PUBLICATIONS

“G-Force T42 Folding Electric Bike Review and Video.” Folding Wheels., Jul. 28, 2021 [online], [retrieved on Feb. 4, 2022]. Retrieved from the Internet <URL: <https://www.foldingwheels.com/g-force-t42-folding-e-bike-review-and-video/>.*

“Eahora Azarias 750W Folding Electric Bike Review and Video.” Folding Wheels., Nov. 23, 2021 [online], [retrieved on Feb. 4, 2022]. Retrieved from the Internet <URL: <https://www.foldingwheels.com/eahora-azarias-750w-folding-electric-bike-review/>.*

* cited by examiner



FIG.1



FIG.2



FIG.3



FIG.4



FIG.5

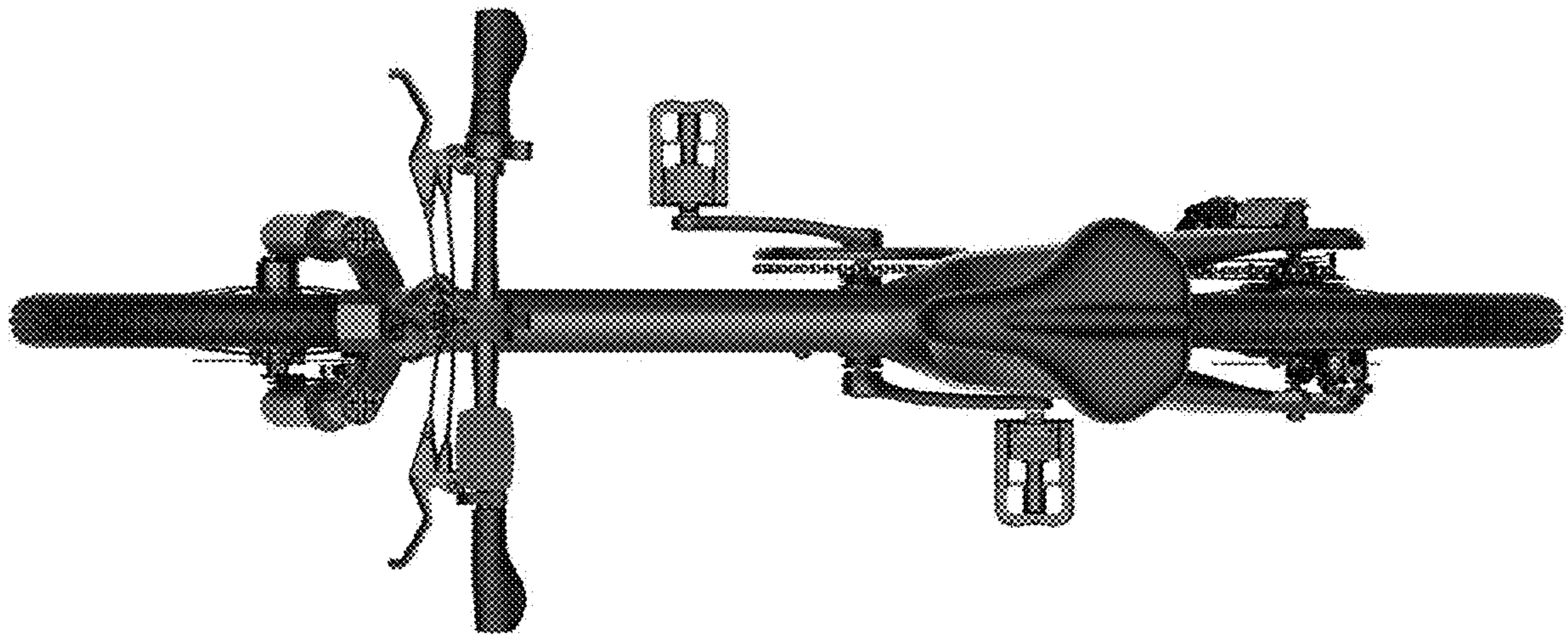


FIG.6

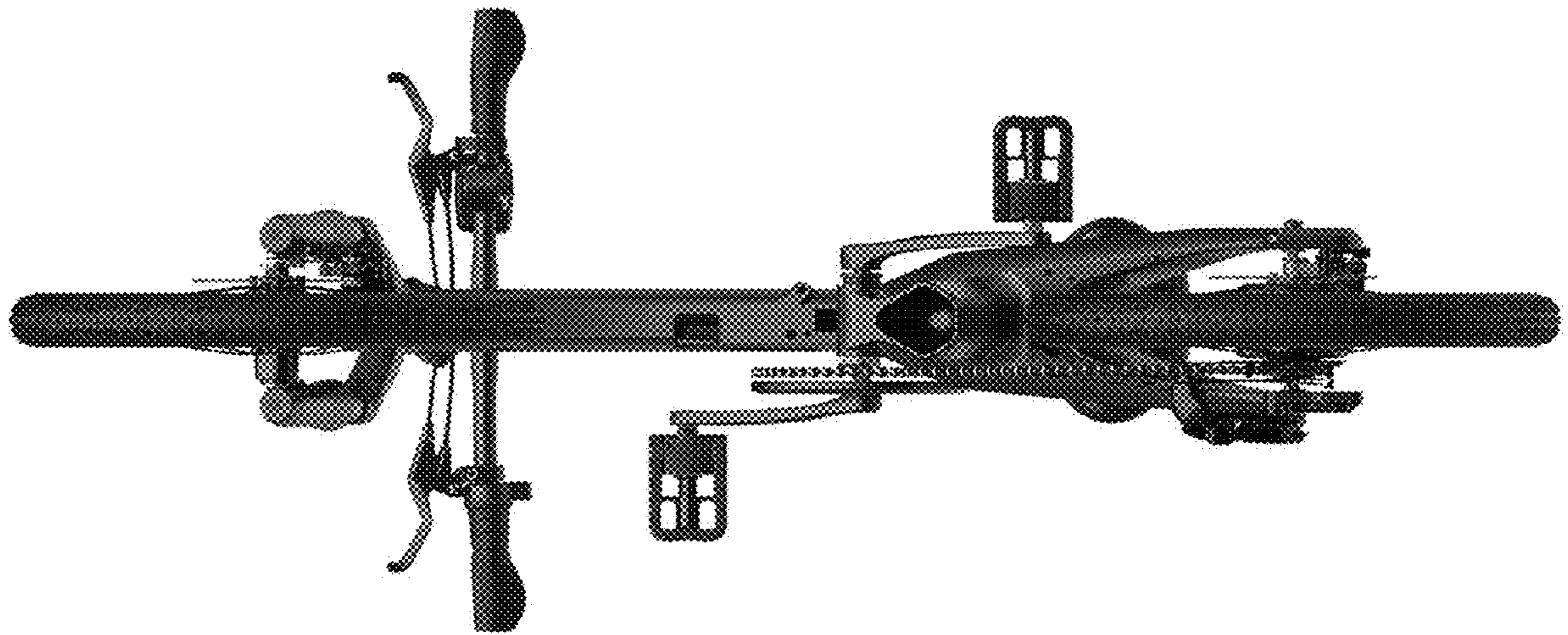


FIG.7