



US00D952520S

(12) **United States Design Patent** (10) **Patent No.:** **US D952,520 S**
Liu (45) **Date of Patent:** **** May 24, 2022**

(54) **BICYCLE**

(71) Applicant: **Huiben Liu**, Shanghai (CN)

(72) Inventor: **Huiben Liu**, Shanghai (CN)

(**) Term: **15 Years**

(21) Appl. No.: **29/740,109**

(22) Filed: **Jul. 1, 2020**

(51) **LOC (13) Cl.** **12-11**

(52) **U.S. Cl.**
USPC **D12/111**

(58) **Field of Classification Search**

USPC D12/111, 117; D21/419-435
CPC B60K 5/12; B60K 13/04; B60K 17/354;
B60K 13/06; B60K 3/002; B60K 9/00;
B60K 13/00

See application file for complete search history.

(56) **References Cited**

U.S. PATENT DOCUMENTS

| | | | | |
|--------------|---------|--|-------|---------|
| D620,401 S * | 7/2010 | Haller | | D12/111 |
| D621,302 S * | 8/2010 | Tanaka | | D12/111 |
| D727,214 S * | 4/2015 | Yang | | D12/111 |
| D774,972 S * | 12/2016 | Lambri | | D12/111 |
| D789,836 S * | 6/2017 | Gouin | | D12/111 |
| D797,609 S * | 9/2017 | Gonzalez-Gancedo Carrillo- Albornoz | | D12/111 |
| D816,554 S * | 5/2018 | Wang | | D12/111 |
| D843,269 S * | 3/2019 | Shi | | D12/111 |
| D847,032 S * | 4/2019 | Yan | | D12/111 |
| D854,969 S * | 7/2019 | Gouin | | D12/111 |
| D863,114 S * | 10/2019 | Hu | | D12/111 |
| D902,084 S * | 11/2020 | Gauthier | | D12/111 |
| D903,532 S * | 12/2020 | Ma | | D12/111 |
| D915,243 S * | 4/2021 | Sun | | D12/111 |

OTHER PUBLICATIONS

“Blix Aveny Electric City Bike, Step-Through” Haveago., posted date Dec. 7, 2018 [online], [retrieved on Aug. 12, 2021]. Retrieved from the Internet <URL:https://haveago.city/product/blixaveny-electric-city-bike-step-through/> (Year: 2018).*

“Big Cat Long Beach XL 500 Step Thru Electric Fat Tire Cruiser Bike” UBD., posted date Feb. 19, 2020 [online], [retrieved on Aug. 12, 2021]. Retrieved from the Internet <URL:https://urbanbikesdirect.com/products/big-cat-long-beach-cruiser-xl-500/> (Year: 2020).*

“M2S All Terrain Scout Review” EBR., posted date Sep. 28, 2019 [online], [retrieved on Aug. 12, 2021]. Retrieved from the Internet <URL:https://electricbikereview.com/m2s-bikes/all-terrain-scout/> (Year: 2019).*

* cited by examiner

Primary Examiner — Darlington Ly

Assistant Examiner — Nasim Abdulaziz Ali

(74) *Attorney, Agent, or Firm* — Rumit Ranjit Kanakia

(57) **CLAIM**

I claim the ornamental design for a bicycle, as shown and described.

DESCRIPTION

FIG. 1 is a front and left side perspective view of a bicycle showing my new design;

FIG. 2 is a front elevation view thereof;

FIG. 3 is a rear elevation view thereof;

FIG. 4 is a left side elevation view thereof;

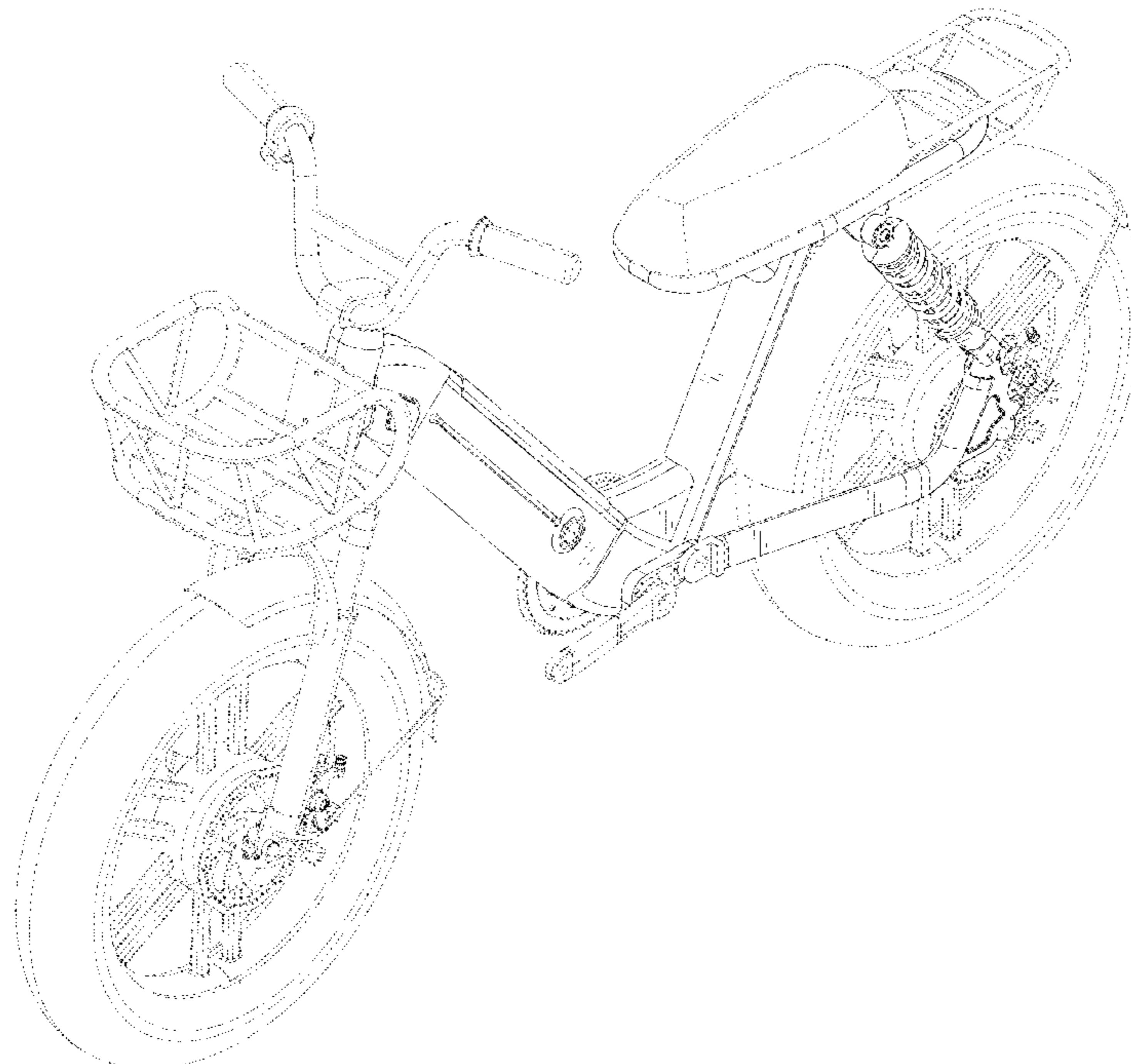
FIG. 5 is a right side elevation view thereof;

FIG. 6 is a top plan view thereof; and,

FIG. 7 is a bottom plan view thereof.

The broken lines in the drawings illustrate portions of the bicycle that form no part of the claimed design.

1 Claim, 7 Drawing Sheets



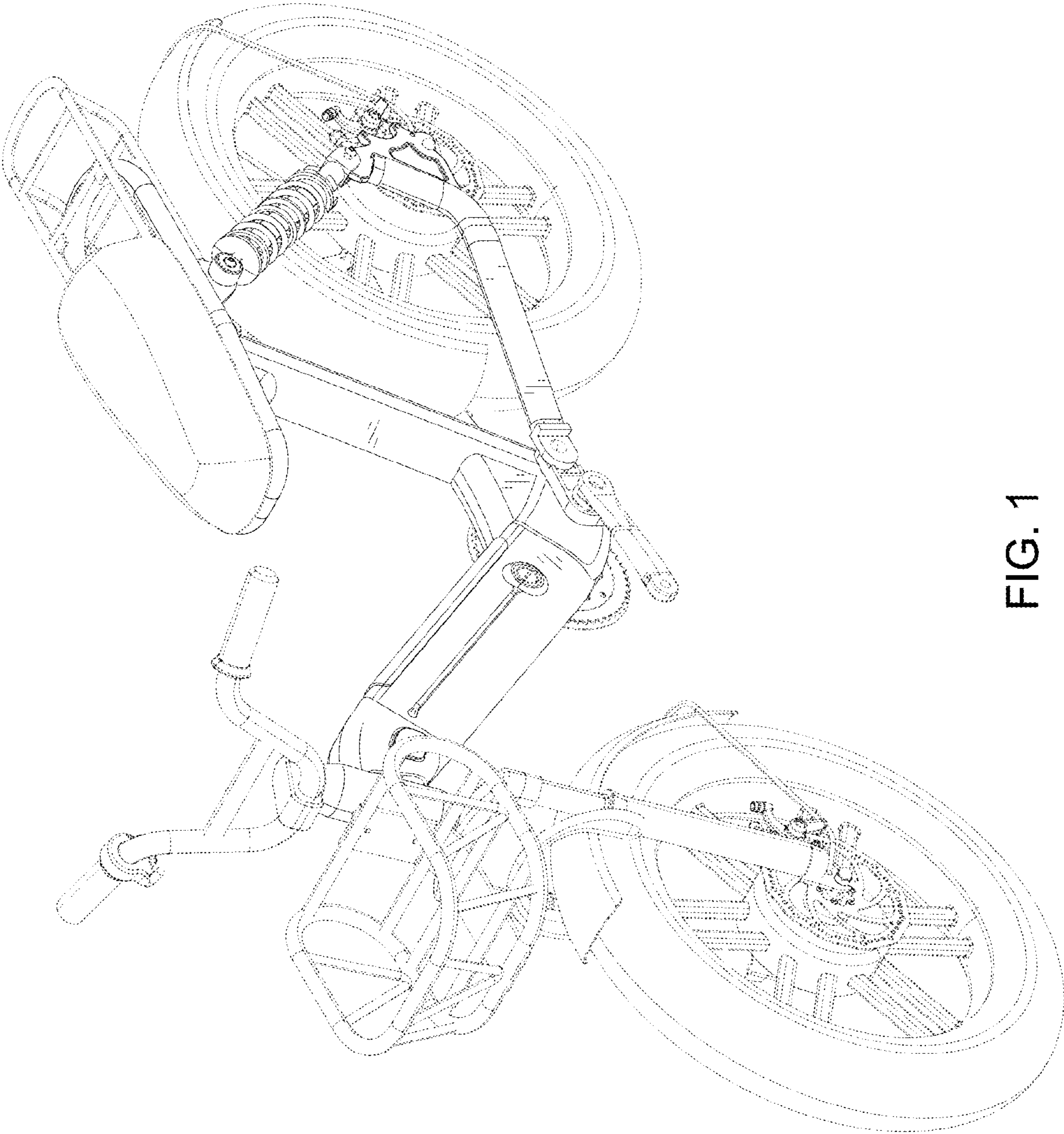


FIG. 1

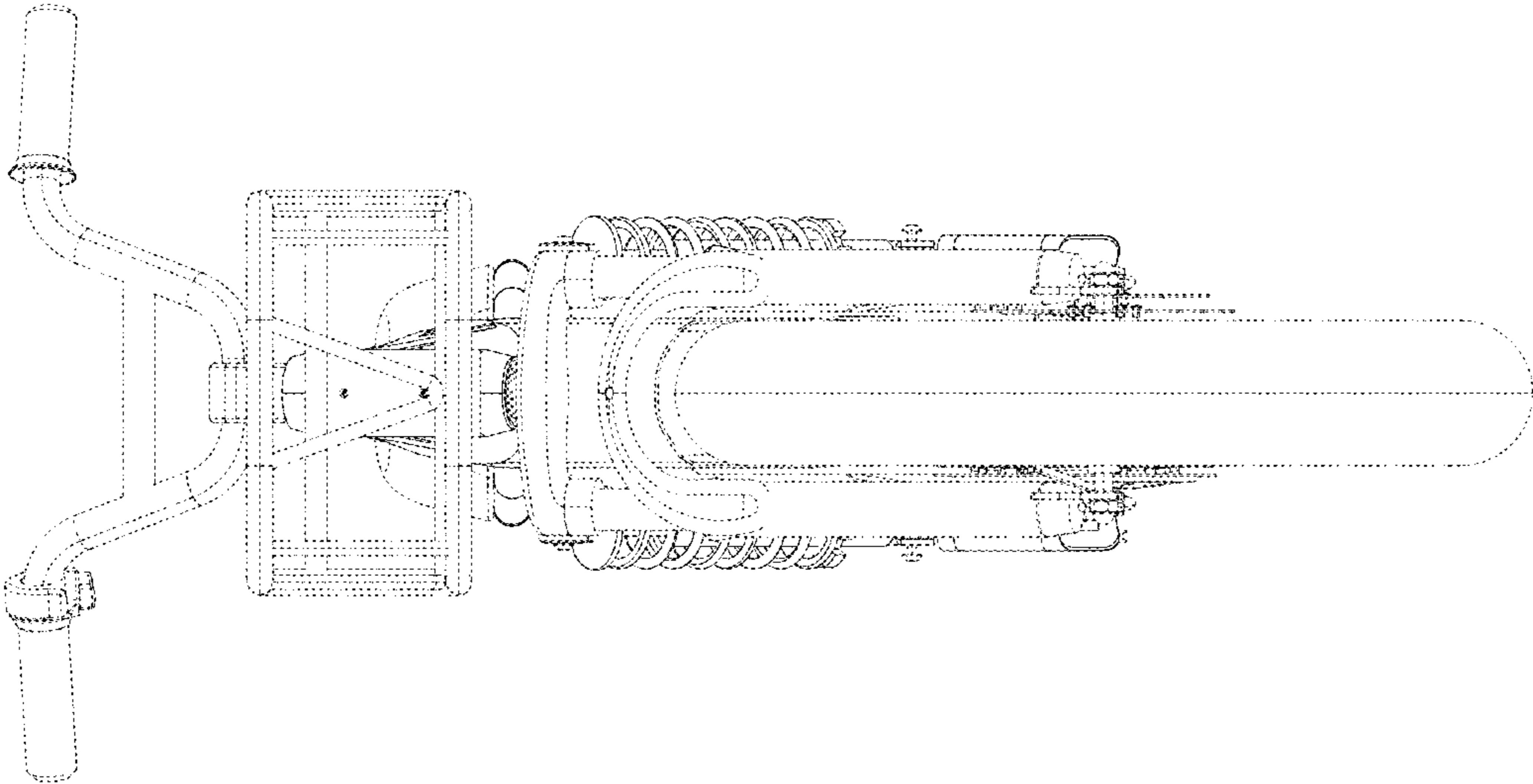


FIG. 2

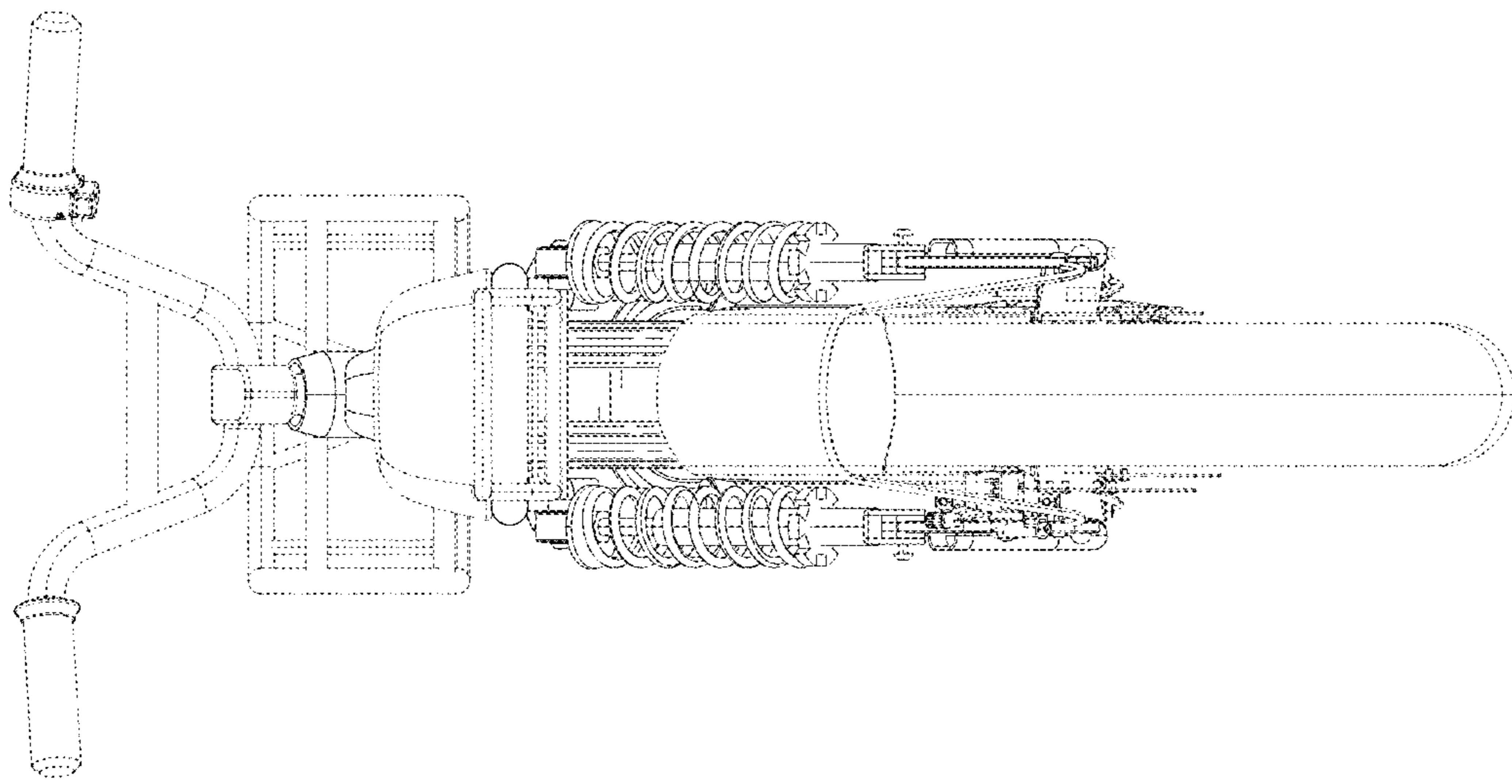


FIG. 3

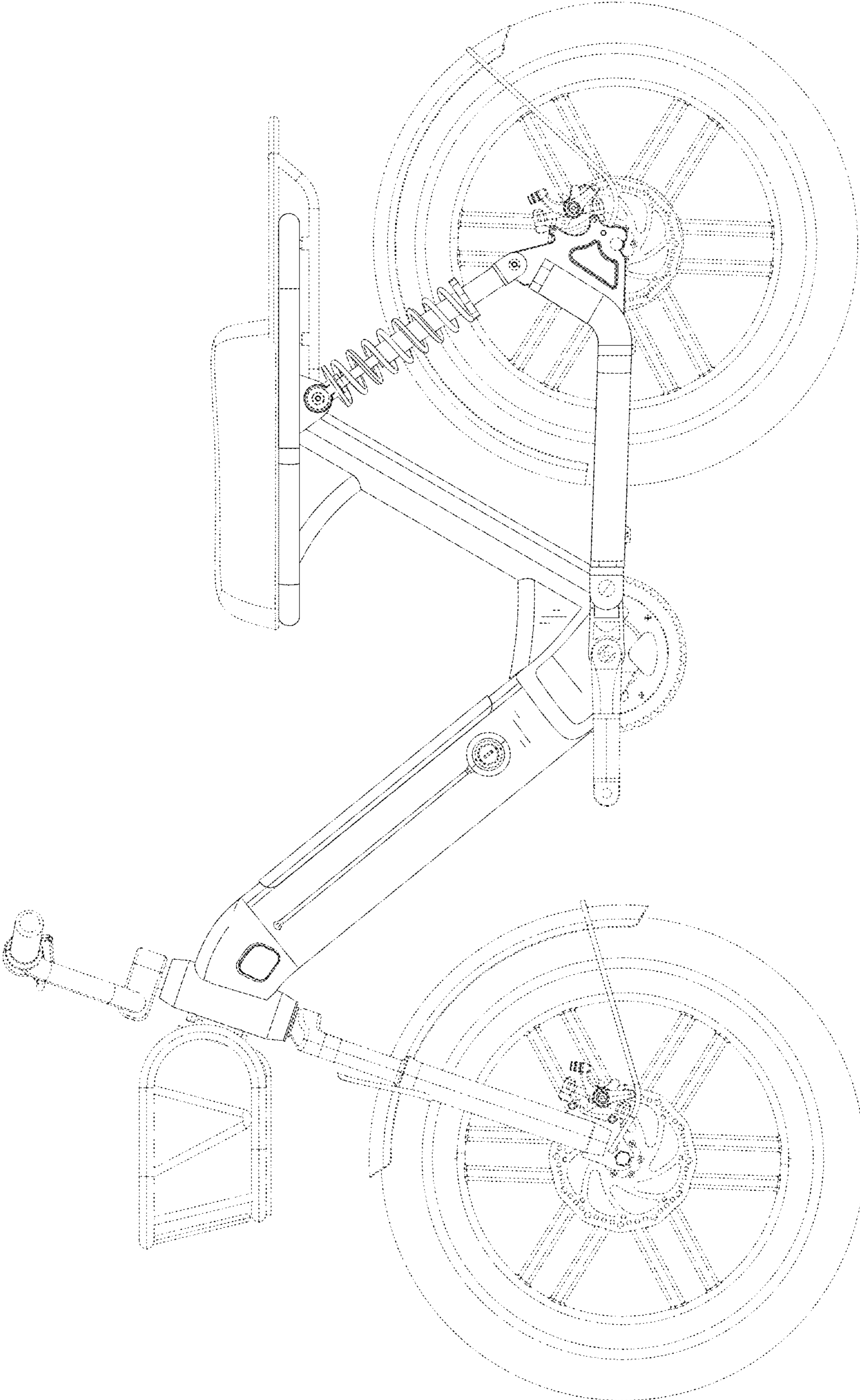


FIG. 4

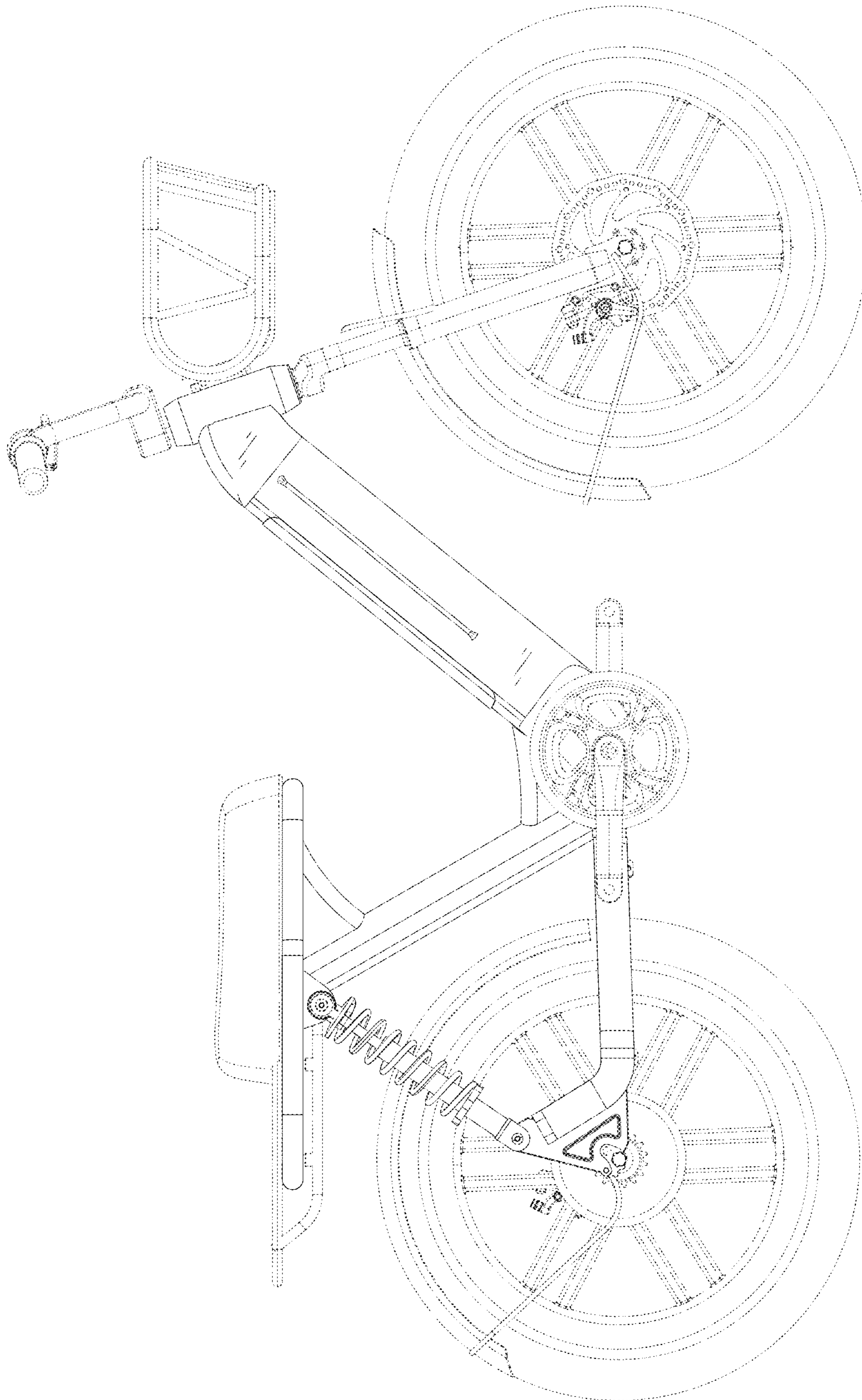


FIG. 5

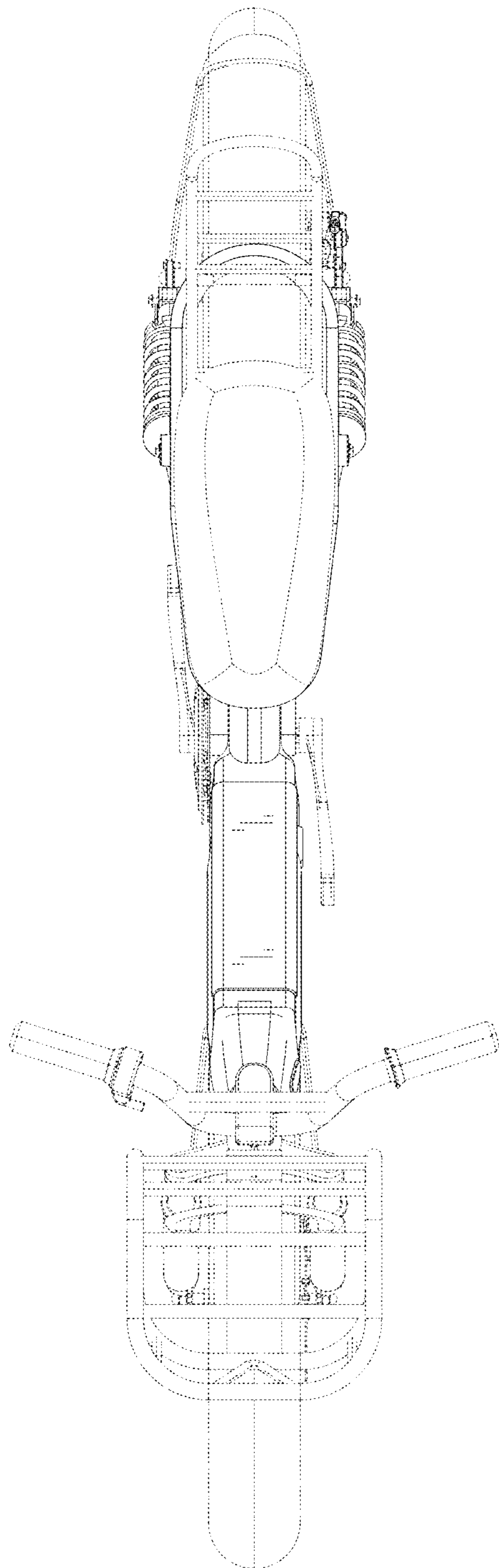


FIG. 6

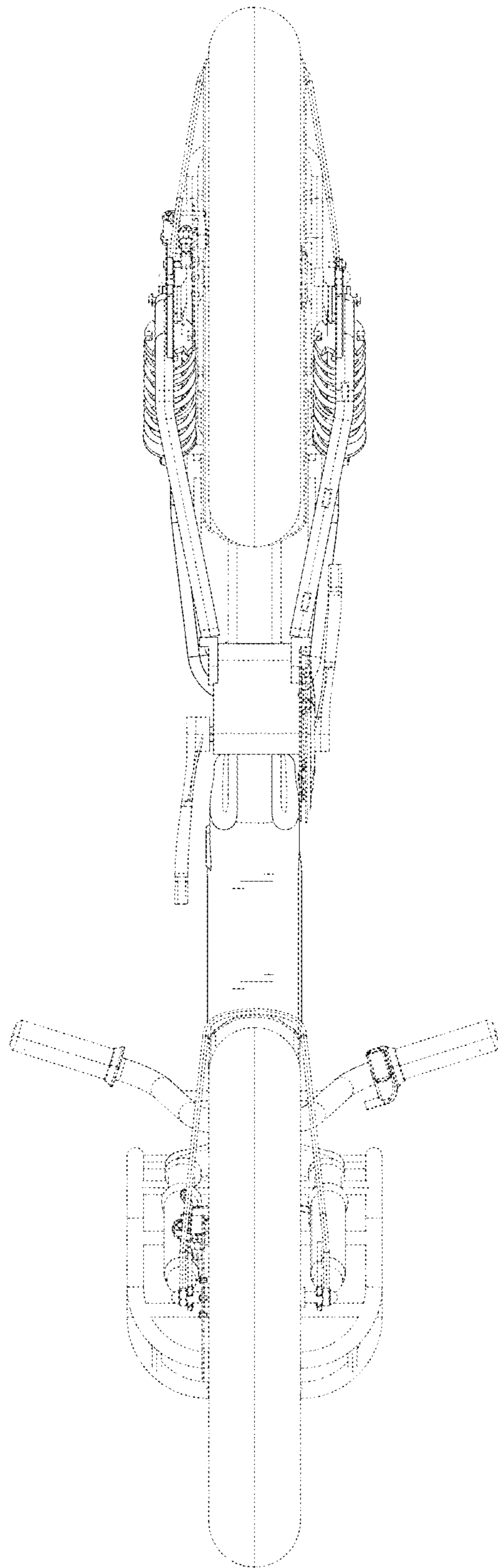


FIG. 7