

US00D952515S

(12) **United States Design Patent**  
**Lai et al.**

(10) **Patent No.:** **US D952,515 S**

(45) **Date of Patent:** **\*\* May 24, 2022**

(54) **ALL-TERRAIN VEHICLE**

(71) Applicant: **Zhejiang CFMOTO Power Co., Ltd.**,  
Zhejiang (CN)

(72) Inventors: **Minjie Lai**, Zhejiang (CN); **Zhiyong Chen**, Zhejiang (CN); **Chengyao Liang**, Zhejiang (CN); **Weijin Lin**, Zhejiang (CN); **Weikang Mao**, Zhejiang (CN)

(73) Assignee: **Zhejiang CFMOTO Power Co., Ltd.**,  
Zhejiang (CN)

(\*\*) Term: **15 Years**

(21) Appl. No.: **29/755,944**

(22) Filed: **Oct. 23, 2020**

(30) **Foreign Application Priority Data**

Jun. 11, 2020 (CN) ..... 202030294874.9

(51) **LOC (13) Cl.** ..... **12-08**

(52) **U.S. Cl.**  
USPC ..... **D12/87**

(58) **Field of Classification Search**  
USPC ..... D12/3, 86, 87, 107, 110  
CPC ..... B60K 5/12; B60K 13/04; B60K 17/354  
See application file for complete search history.

(56) **References Cited**

**U.S. PATENT DOCUMENTS**

D555,036 S *	11/2007	Eck	.....	D12/87
D578,934 S *	10/2008	Tanaka	.....	D12/14
D586,694 S *	2/2009	Huang	.....	D12/14
D622,631 S *	8/2010	Lai	.....	D12/87
D631,395 S *	1/2011	Tandrup	.....	D12/14
D642,493 S *	8/2011	Goebert	.....	D12/87
D650,311 S *	12/2011	Bracy	.....	D12/87
D652,348 S *	1/2012	King	.....	D12/14
8,157,039 B2 *	4/2012	Melvin	.....	F16H 57/0489 180/68.2

D679,627 S *	4/2013	Li	.....	D12/14
D682,737 S *	5/2013	Li	.....	D12/14
D682,738 S *	5/2013	Li	.....	D12/14
D694,668 S *	12/2013	Li	.....	D12/14

(Continued)

**FOREIGN PATENT DOCUMENTS**

CN 304722591 S 7/2018

**OTHER PUBLICATIONS**

“2016 CFMOTO UFORCE 800 EPS.” Young Power Sports., Jun. 6, 2016 [online], [retrieved on Oct. 10, 2021]. Retrieved from the Internet <URL: <https://www.youngpowersportsogden.com/new-models/2016-cfmoto-uforce-800-eps-22974081b>>.\*

(Continued)

*Primary Examiner* — Darlington Ly

(74) *Attorney, Agent, or Firm* — Wolf, Greenfield & Sacks, P.C.

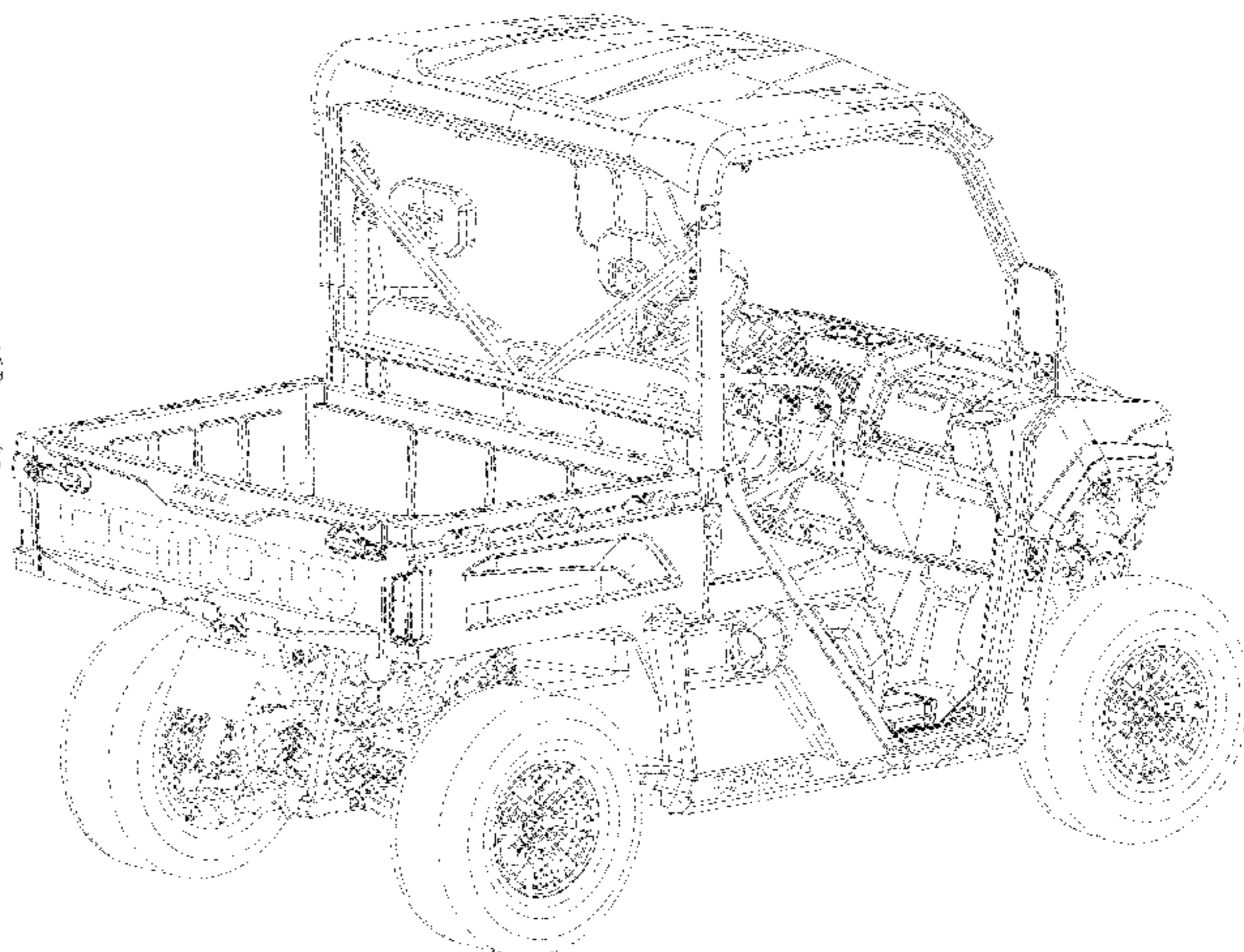
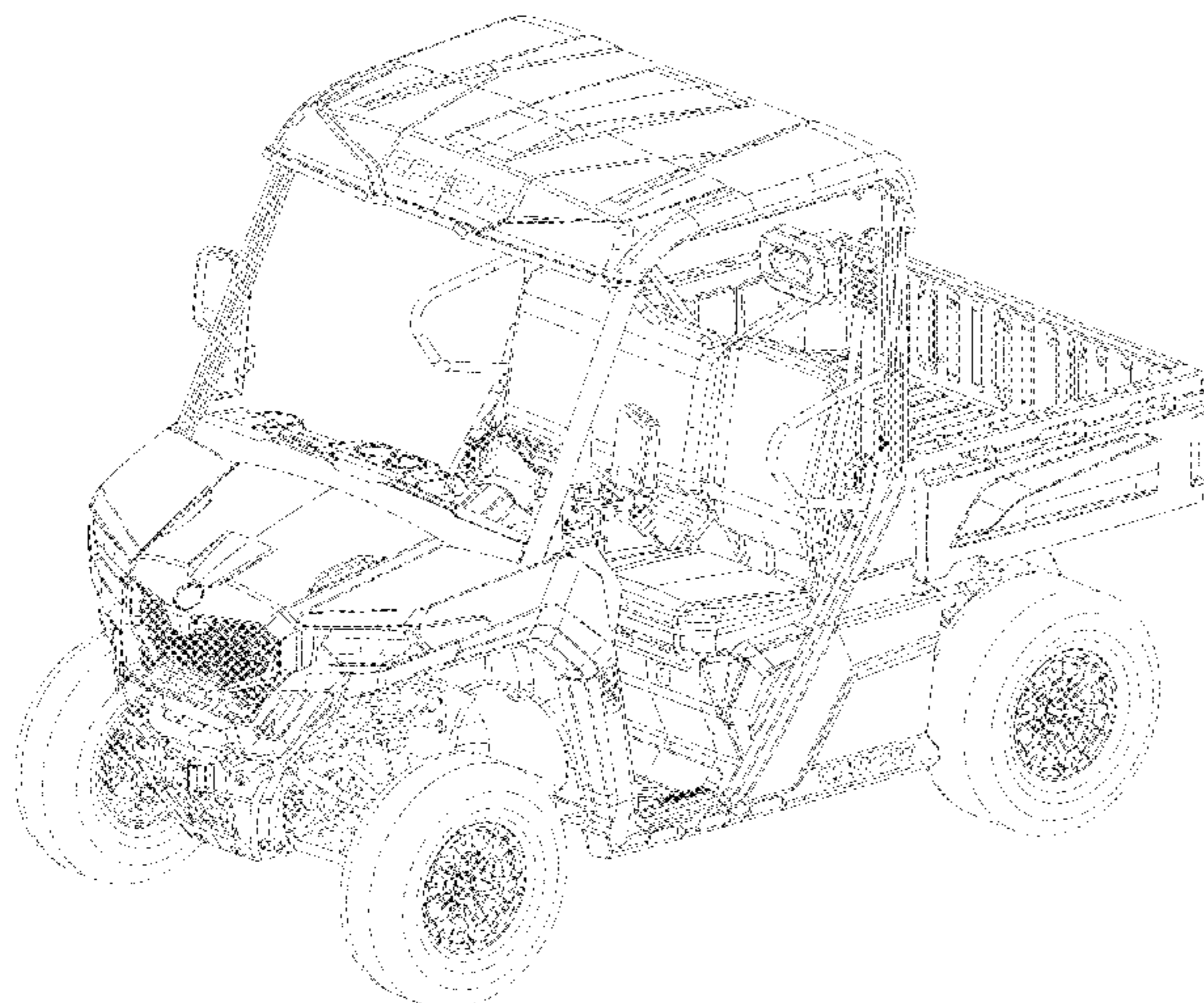
(57) **CLAIM**

The ornamental design for an all-terrain vehicle, as shown and described.

**DESCRIPTION**

FIG. 1 is a front elevation view of an all-terrain vehicle according to the present application, showing our new design;  
FIG. 2 is a rear elevation view thereof;  
FIG. 3 is a left side elevation view thereof;  
FIG. 4 is a right side elevation view thereof;  
FIG. 5 is a top plan view thereof;  
FIG. 6 is a top, front, and right side perspective view thereof; and,  
FIG. 7 is a top, rear, and left side perspective view thereof. The broken lines in the drawings depict portions of the product that form no part of the claimed design.

**1 Claim, 7 Drawing Sheets**



(56)

**References Cited**

U.S. PATENT DOCUMENTS

D699,627 S \* 2/2014 Tang ..... D12/14  
 D701,469 S \* 3/2014 Lai et al.  
 D703,102 S \* 4/2014 Eck ..... D12/87  
 D711,778 S \* 8/2014 Chun ..... D12/14  
 D712,309 S \* 9/2014 Wu ..... D12/14  
 D714,186 S \* 9/2014 Wu ..... D12/14  
 8,973,693 B2 \* 3/2015 Kinsman ..... B60K 15/04  
 180/89.1  
 8,997,908 B2 \* 4/2015 Kinsman ..... B60R 21/13  
 180/89.1  
 D735,077 S \* 7/2015 Sato ..... D12/87  
 D737,724 S \* 9/2015 Schroeder ..... D12/87  
 D756,845 S \* 5/2016 Flores ..... D12/87  
 D764,350 S \* 8/2016 Okuyama ..... D12/14  
 D764,974 S \* 8/2016 Mikhailov ..... D12/14  
 D785,502 S \* 5/2017 Dunshee ..... D12/14  
 9,725,023 B2 \* 8/2017 Miller ..... B62D 33/02  
 9,776,481 B2 \* 10/2017 Deckard ..... B60G 3/02  
 D852,674 S \* 7/2019 Wilcox ..... D12/87  
 10,399,435 B2 \* 9/2019 Bastien ..... B60K 15/03504

10,607,091 B2 \* 3/2020 Kawamoto ..... G06K 9/00791  
 D882,702 S \* 4/2020 Talios ..... D21/433  
 10,737,547 B2 \* 8/2020 Deckard ..... B62D 33/0625  
 D896,125 S \* 9/2020 Hashimoto ..... D12/14  
 D904,931 S \* 12/2020 Lai ..... D12/87  
 2017/0029036 A1 \* 2/2017 Proulx ..... B60R 11/00  
 2017/0174027 A1 \* 6/2017 Mailhot ..... B62D 3/12  
 2018/0178858 A1 \* 6/2018 Hollman ..... B60N 2/005  
 2018/0265062 A1 \* 9/2018 Bowers ..... B60G 7/008

OTHER PUBLICATIONS

“CFMOTO Experience More Together 2021.” CFMOTO Brochure., Dec. 28, 2020 [online], [retrieved on Oct. 10, 2021]. Retrieved from the Internet <URL: [https://cfmotousa.com/Portals/0/2021\\_brochure.pdf](https://cfmotousa.com/Portals/0/2021_brochure.pdf)>.\*  
 “CFMOTO 1000.” CFMOTO Brochure., Aug. 24, 2018 [online], [retrieved on Oct. 10, 2021]. Retrieved from the Internet <URL: [https://cfmotousa.com/Portals/0/CFMOTO\\_2019MY\\_SpecSheet\\_UFORCE1000.pdf](https://cfmotousa.com/Portals/0/CFMOTO_2019MY_SpecSheet_UFORCE1000.pdf)>.\*

\* cited by examiner

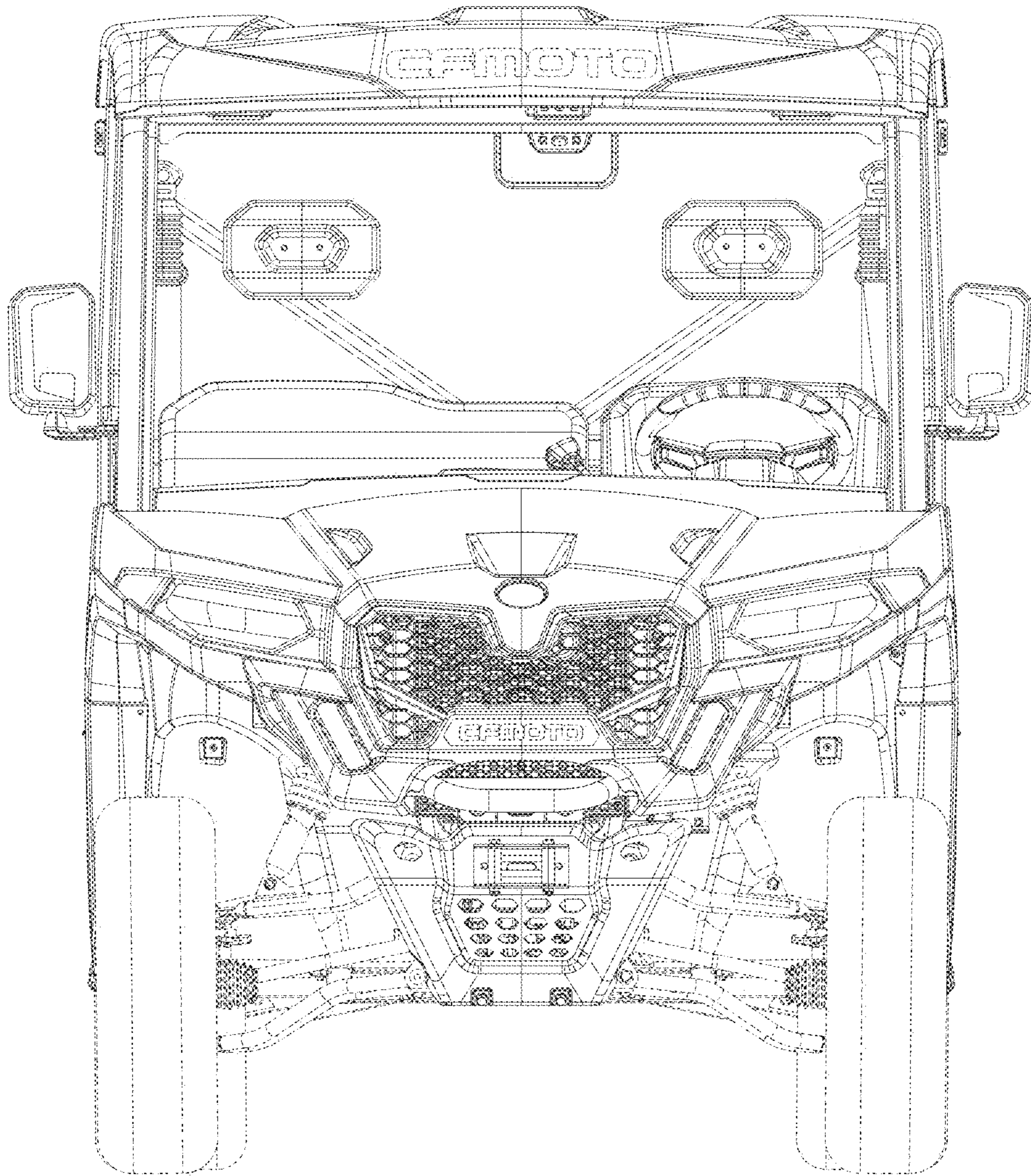


FIG. 1

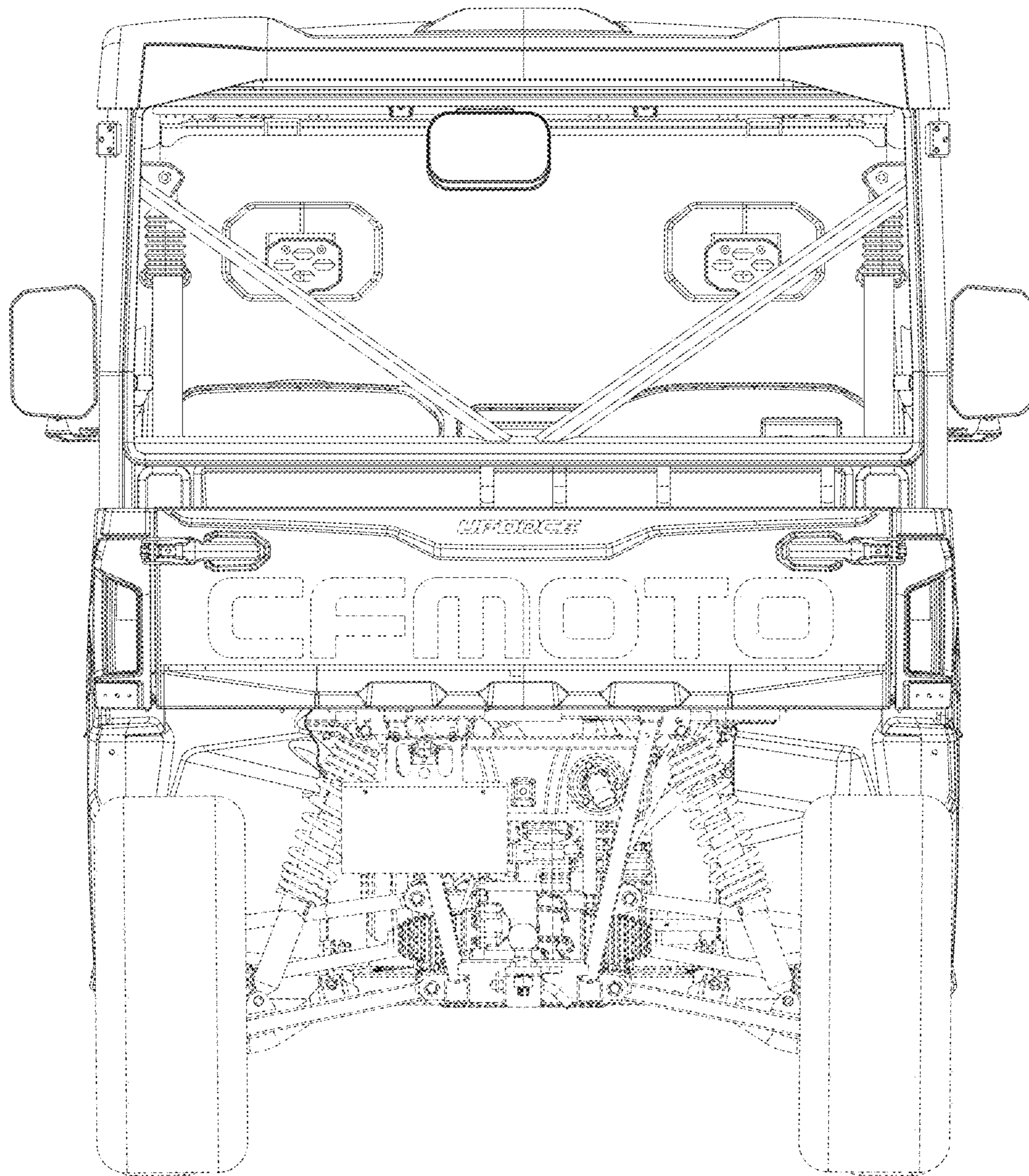


FIG. 2

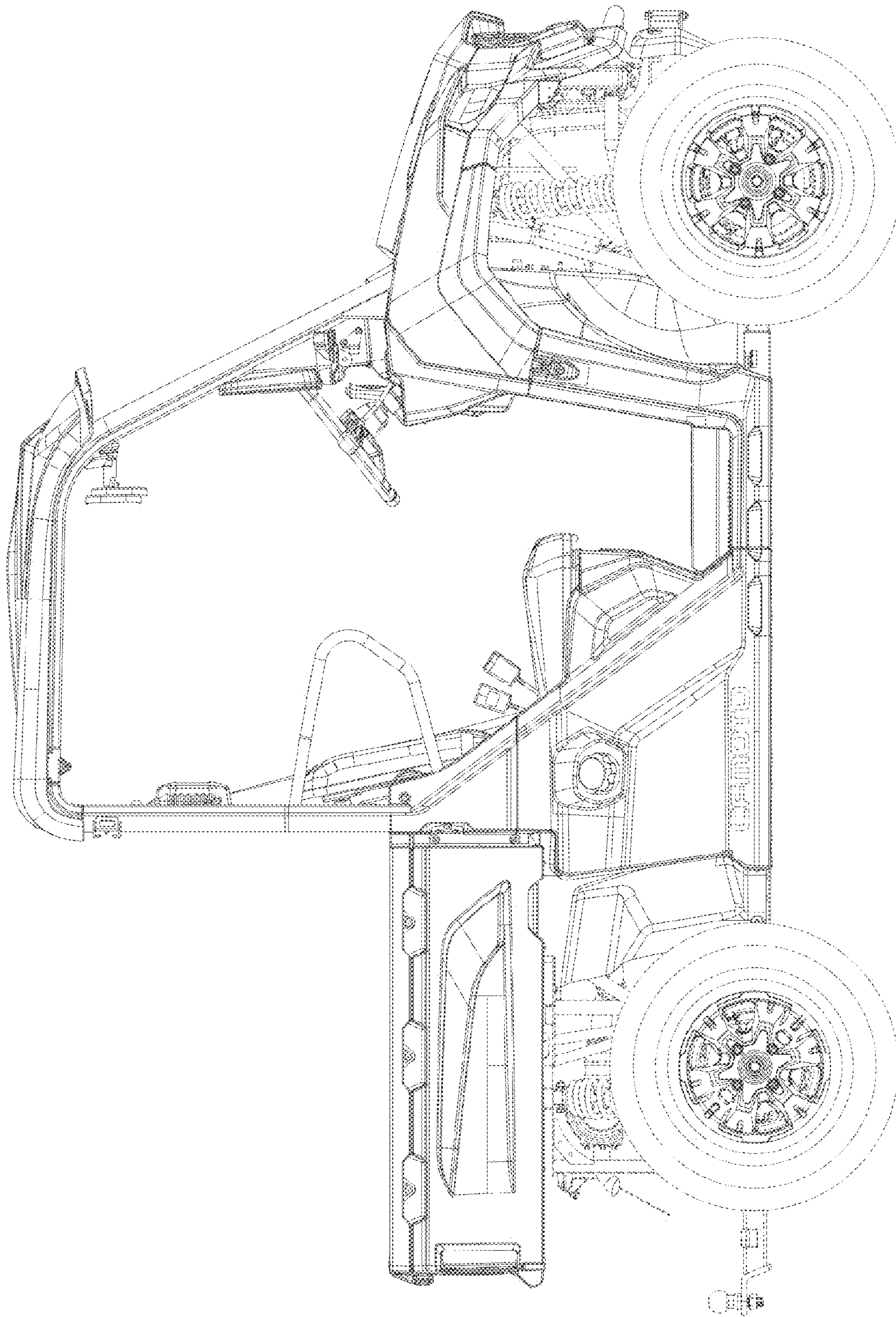


FIG. 3

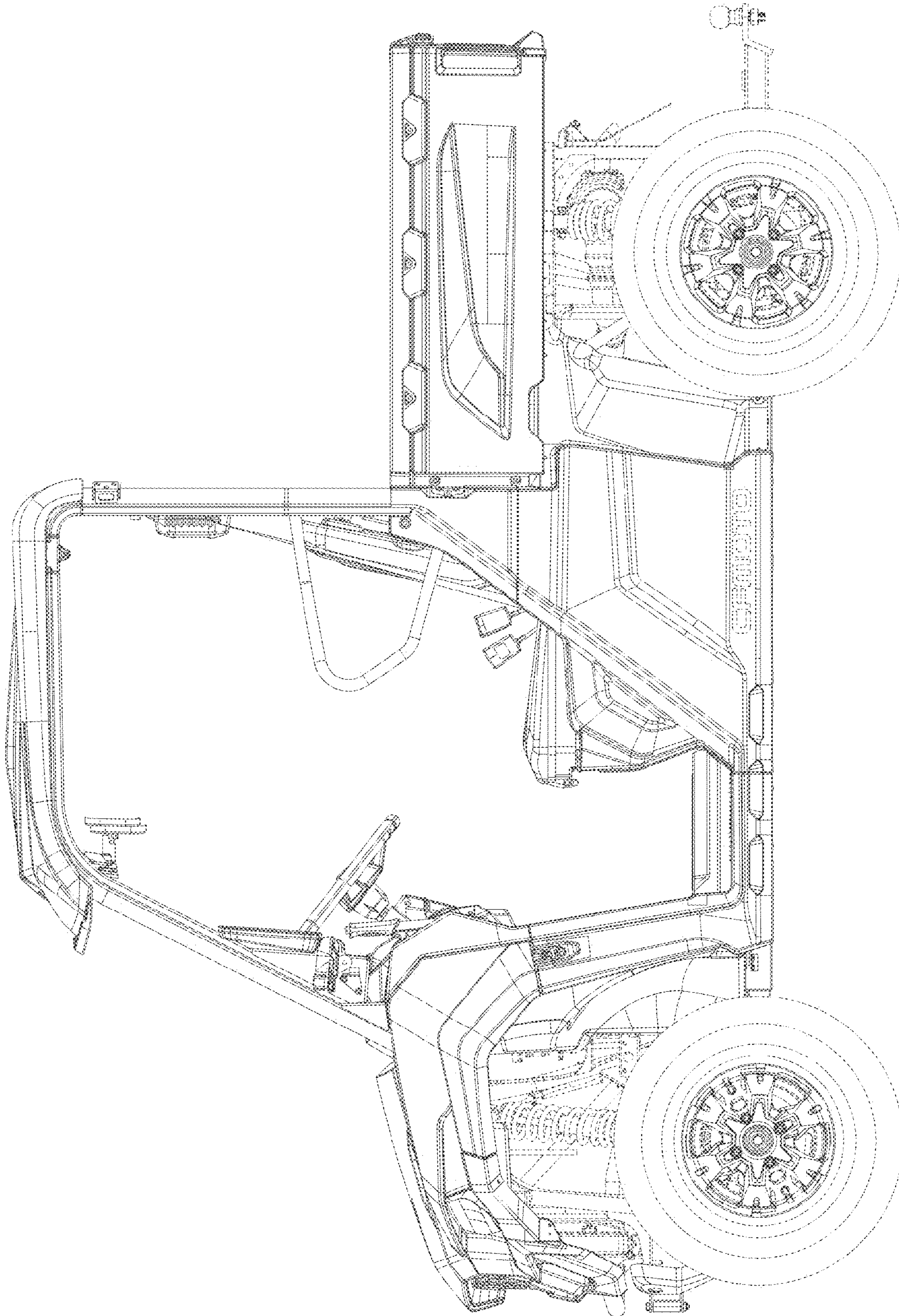


FIG. 4

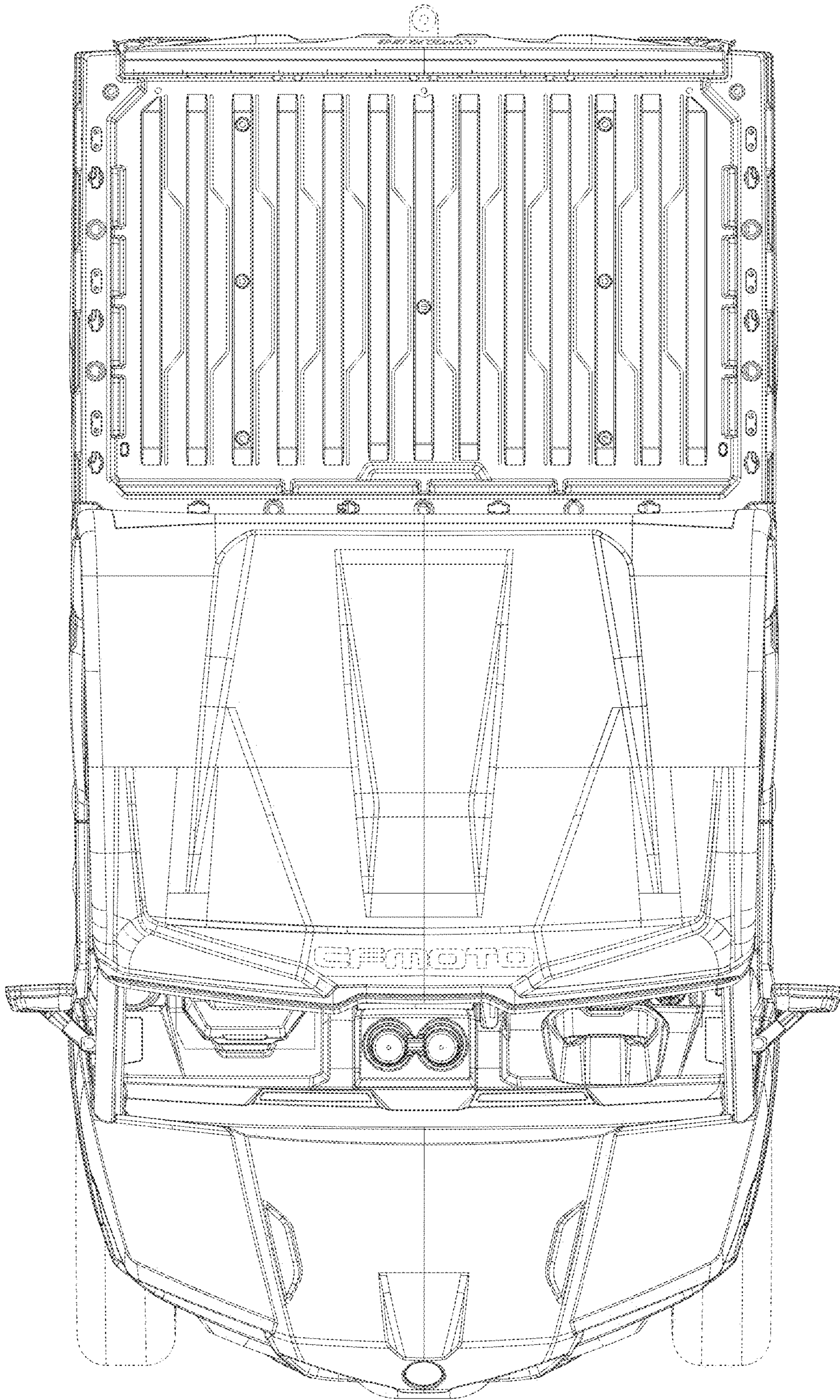


FIG. 5

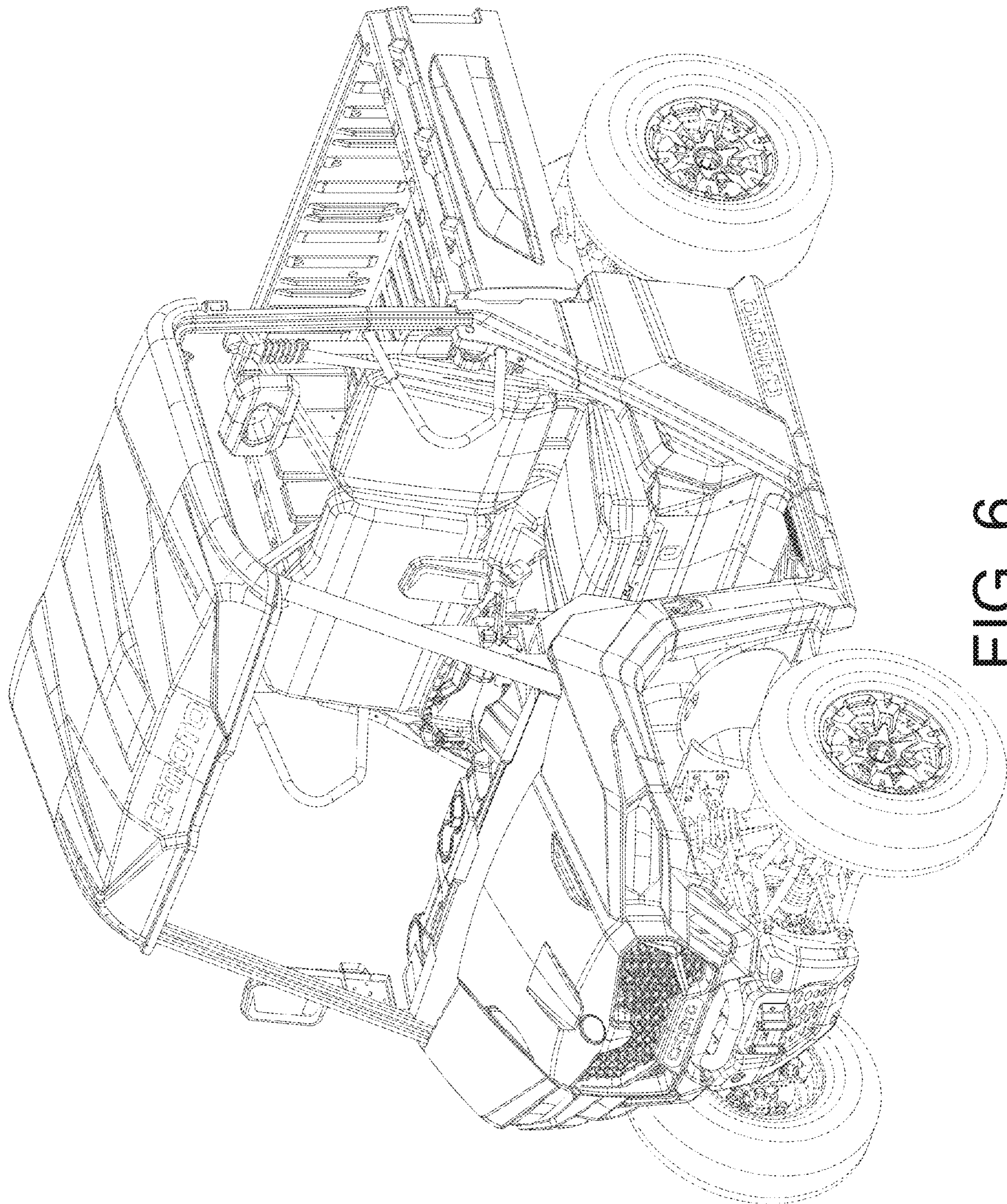


FIG. 6



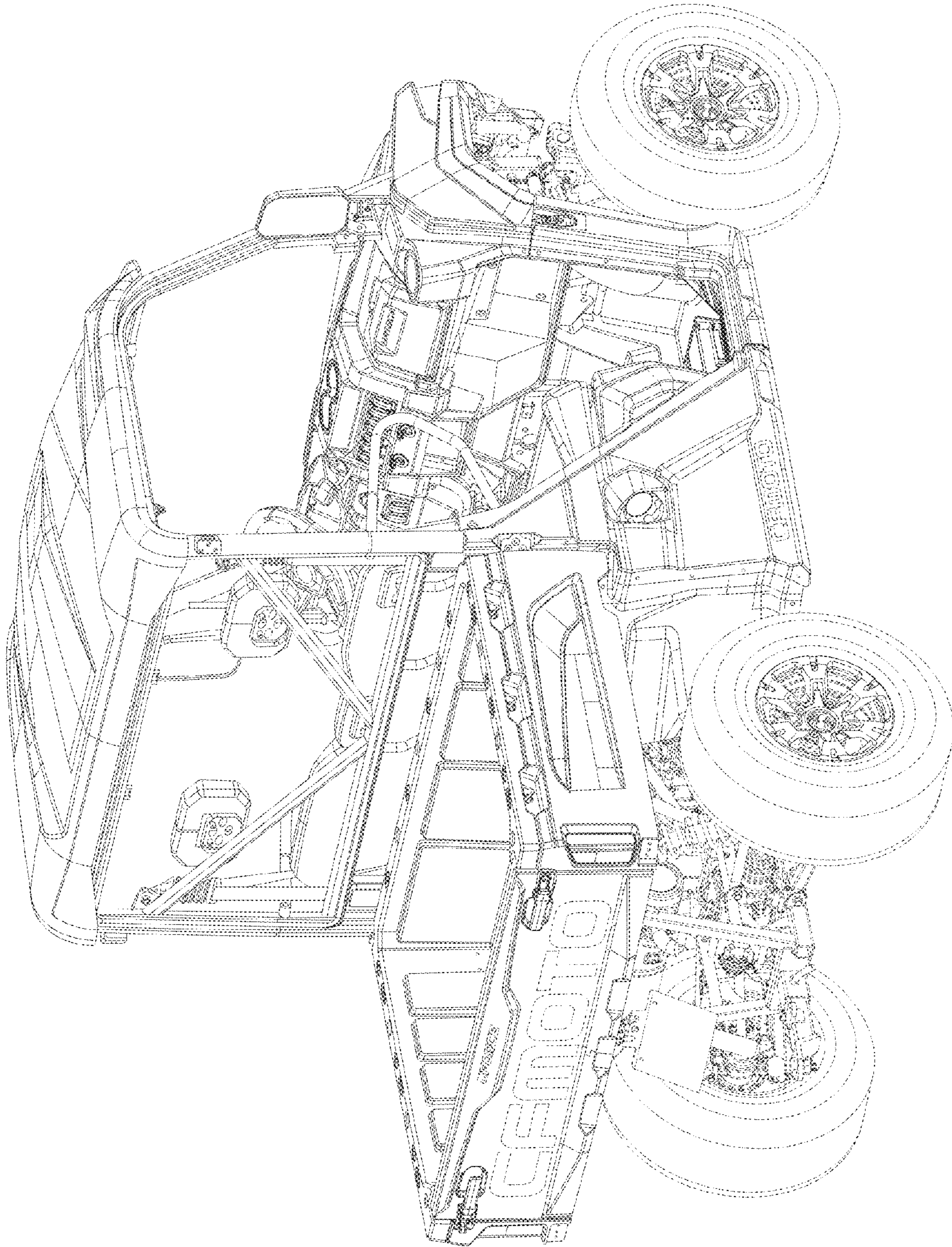


FIG. 7