



US00D952514S

(12) **United States Design Patent**  
**Tian**

(10) **Patent No.:** **US D952,514 S**

(45) **Date of Patent:** **\*\* \*May 24, 2022**

- (54) **FIXED-WING VTOL DRONE**
- (71) Applicant: **SHANGHAI AUTOFLIGHT CO., LTD.**, Shanghai (CN)
- (72) Inventor: **Yu Tian**, Hong Kong (CN)
- (73) Assignee: **SHANGHAI AUTOFLIGHT CO., LTD.**, Shanghai (CN)
- (\*) Notice: This patent is subject to a terminal disclaimer.
- (\*\*) Term: **15 Years**
- (21) Appl. No.: **29/658,786**
- (22) Filed: **Aug. 2, 2018**
- (51) **LOC (13) Cl.** ..... **12-07**
- (52) **U.S. Cl.**  
USPC ..... **D12/16.1**
- (58) **Field of Classification Search**  
USPC ..... D12/1-4, 16.1, 319-345; D21/436-454  
CPC ..... B64C 39/024; B64C 13/16; B64C 19/00;  
B64C 2201/021; B64C 2201/141; B60H  
1/3442  
See application file for complete search history.

10,081,436 B1 \* 9/2018 Tian ..... B64D 31/00  
 D832,154 S \* 10/2018 Tian ..... D12/161  
 D843,306 S \* 3/2019 Tzarnotzky ..... D12/329  
 D843,889 S \* 3/2019 Merrill ..... D12/16.1

(Continued)

**OTHER PUBLICATIONS**

AutoFlightX. by Kerry Lynch, dated Apr. 10, 2019. found online [Aug. 1, 2019] <https://www.ainonline.com/aviation-news/general-aviation/2019-04-10/autoflightx-takes-wraps-all-electric-demonstrator>.  
\*

*Primary Examiner* — Marissa J Cash

(74) *Attorney, Agent, or Firm* — WPAT Law, P.C.;  
Anthony King

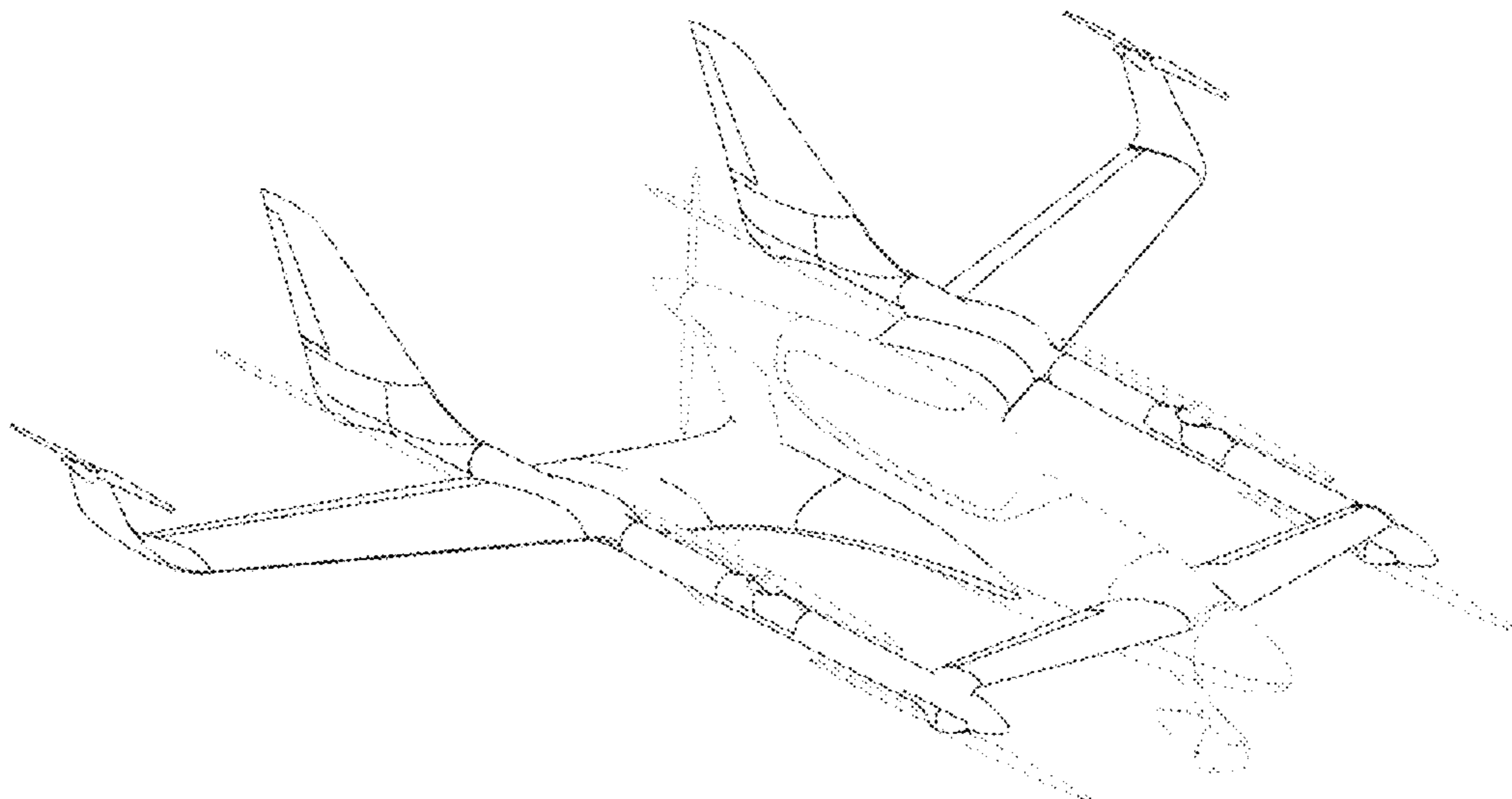
(57) **CLAIM**

The ornamental design for a fixed-wing VTOL drone, as shown and described.

**DESCRIPTION**

FIG. 1 is a perspective right top front side view of the fixed-wing VTOL drone, the perspective left top front side view being a mirror image thereof;  
 FIG. 2 is a top view of the fixed-wing VTOL drone of FIG. 1;  
 FIG. 3 is a bottom view of the fixed-wing VTOL drone of FIG. 1;  
 FIG. 4 is a front of the fixed-wing VTOL drone of FIG. 1;  
 FIG. 5 is a rear view of the fixed-wing VTOL drone of FIG. 1;  
 FIG. 6 is a left side view of the fixed-wing VTOL drone of FIG. 1, the right side view being a mirror image thereof; and,  
 FIG. 7 is a perspective right bottom front side view of the fixed-wing VTOL drone, the perspective left bottom front side view being a mirror image thereof.  
 The broken lines shown in all figures illustrate portions of the fixed-wing VTOL drone that form no part of the claimed design.

**1 Claim, 7 Drawing Sheets**



(56)

**References Cited**

U.S. PATENT DOCUMENTS

D843,919 S \* 3/2019 Tzarnotzky ..... D12/329  
10,259,563 B2 \* 4/2019 Long ..... B64C 11/02  
D852,092 S \* 6/2019 Woodworth ..... D12/16.1  
10,308,360 B2 \* 6/2019 Sopper ..... B65D 5/18  
10,322,814 B1 \* 6/2019 Tian ..... B64D 31/00  
D852,720 S \* 7/2019 Zeldin ..... D12/320  
D852,825 S \* 7/2019 Selwa ..... D14/485  
10,340,820 B2 \* 7/2019 Woodworth ..... B64C 39/024  
2014/0158815 A1 \* 6/2014 Renteria ..... B64C 29/0025  
244/12.1  
2016/0236774 A1 \* 8/2016 Niedzballa ..... B64C 27/30  
2017/0300067 A1 \* 10/2017 Douglas ..... B64C 29/0025  
2018/0290735 A1 \* 10/2018 Uptigrove ..... B64D 35/04  
2018/0297711 A1 \* 10/2018 Oldroyd ..... B64D 31/06

\* cited by examiner

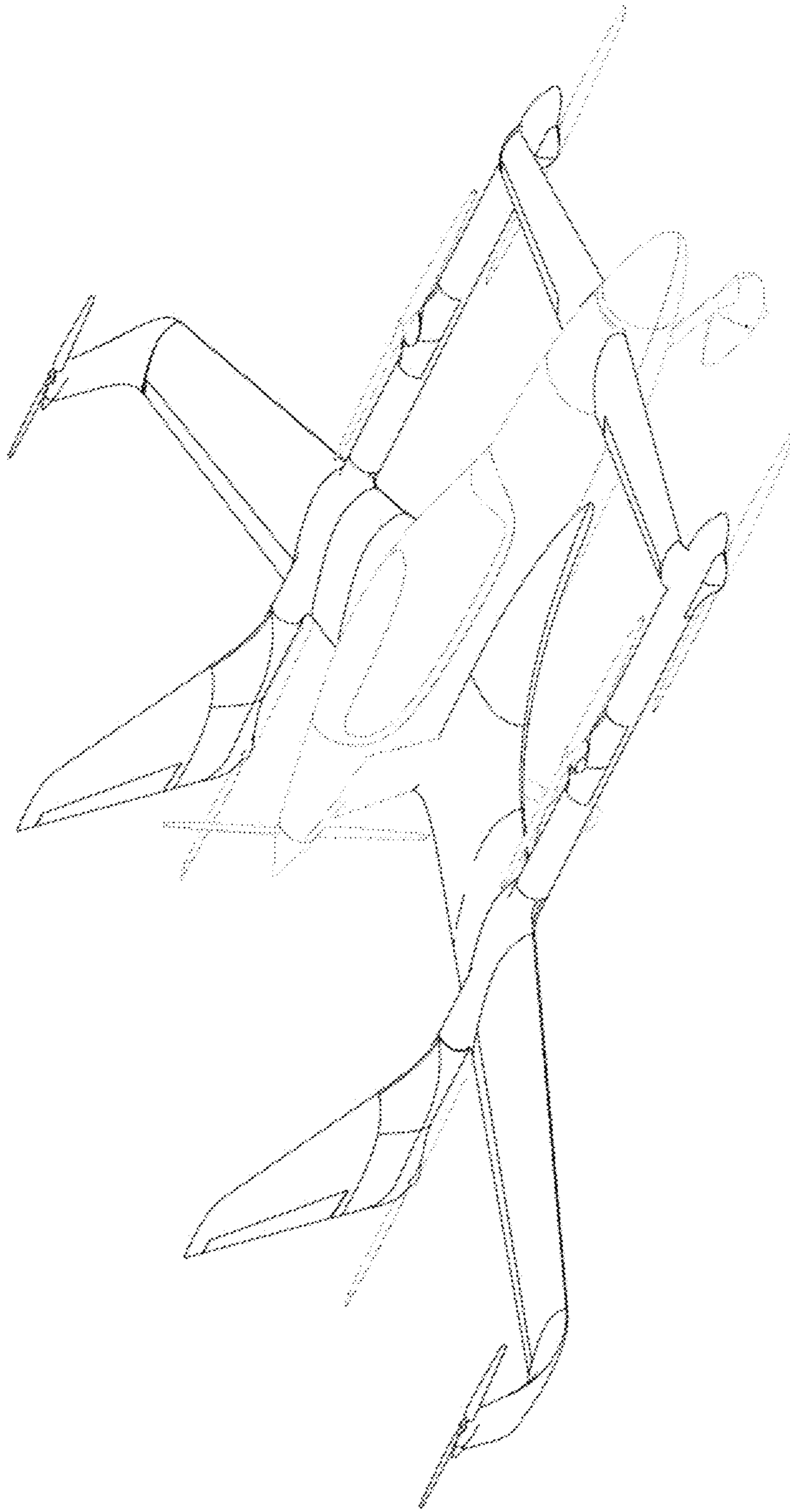


Fig. 1

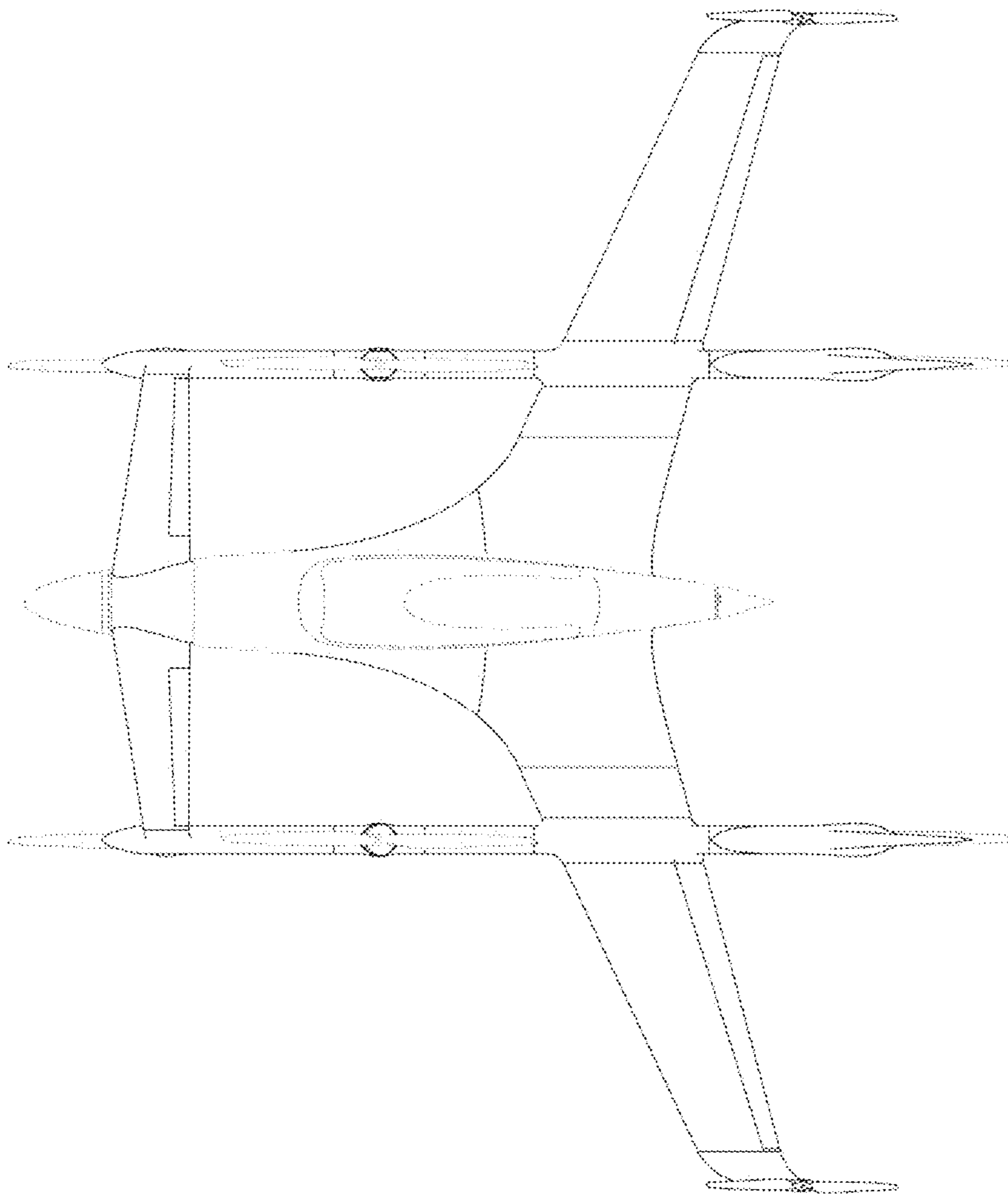


Fig. 2

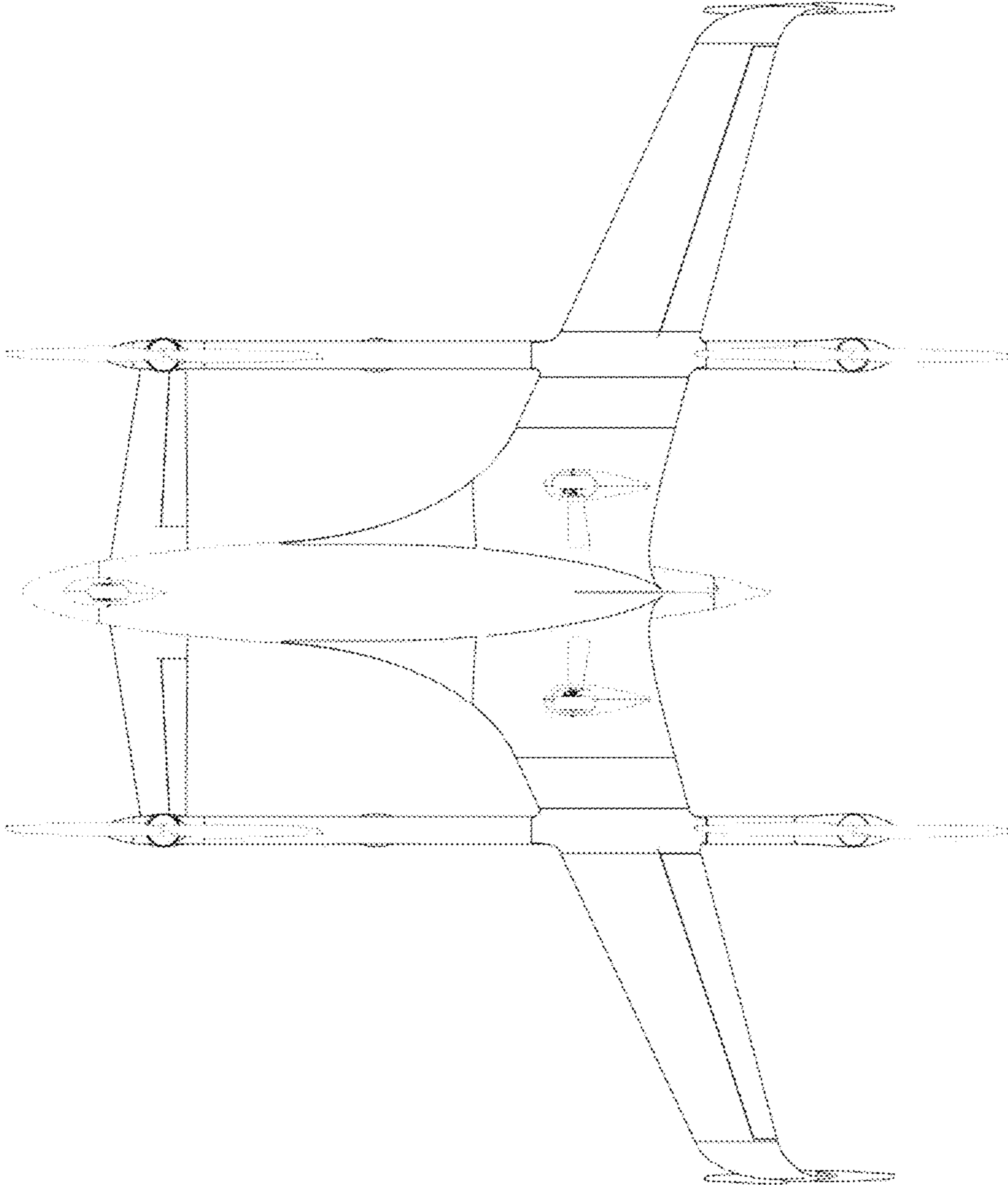


Fig. 3

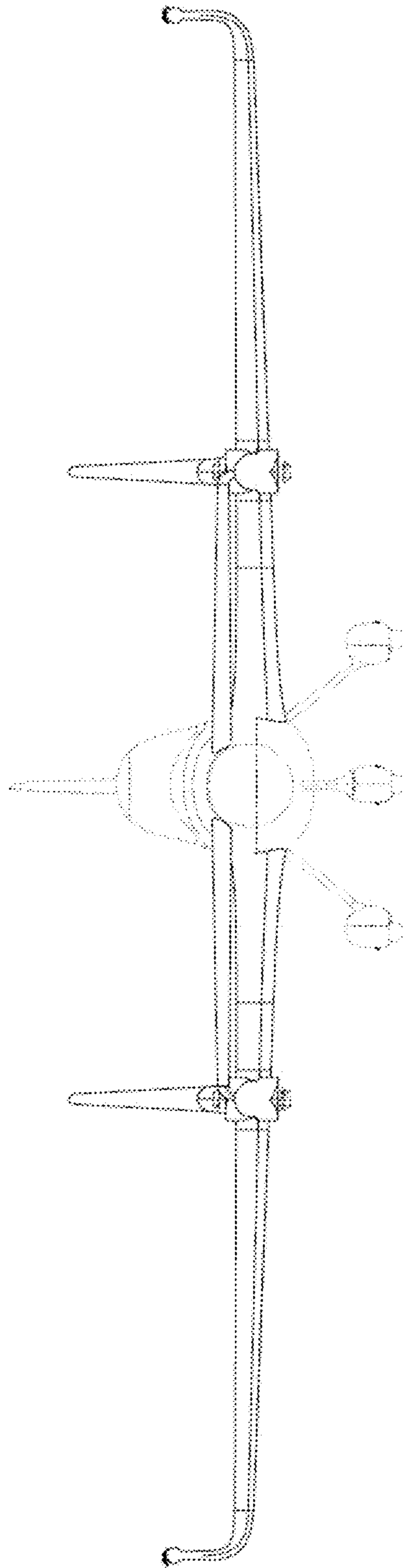


Fig. 4

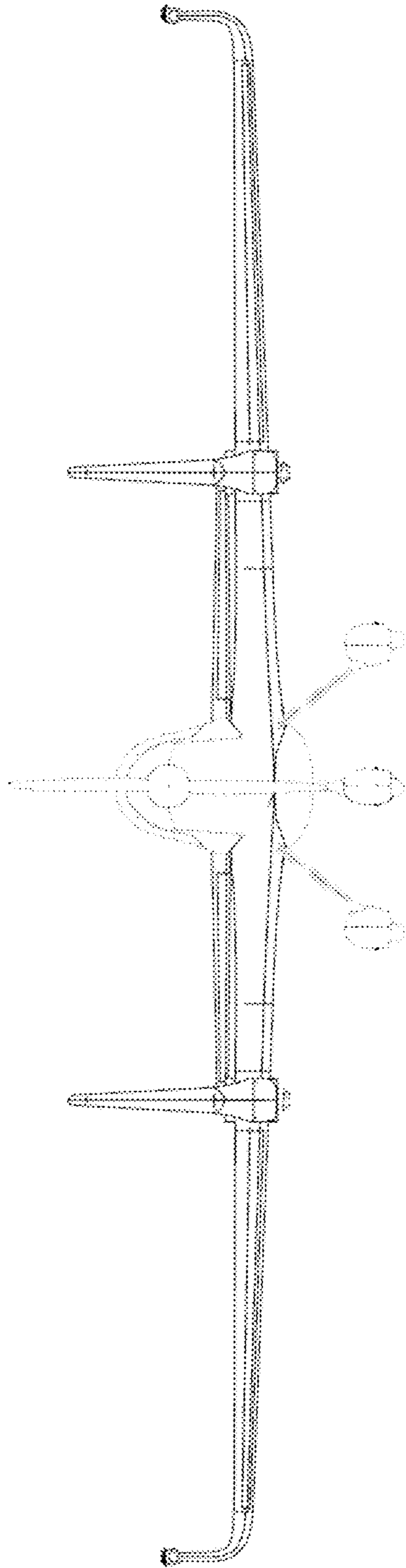


Fig. 5

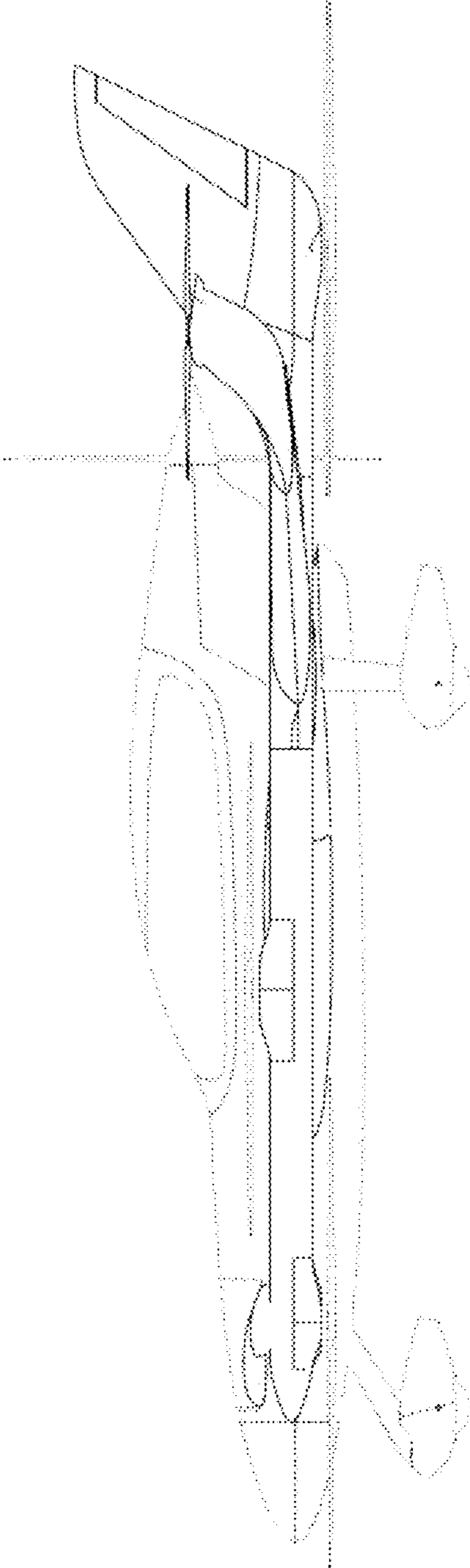


Fig. 6



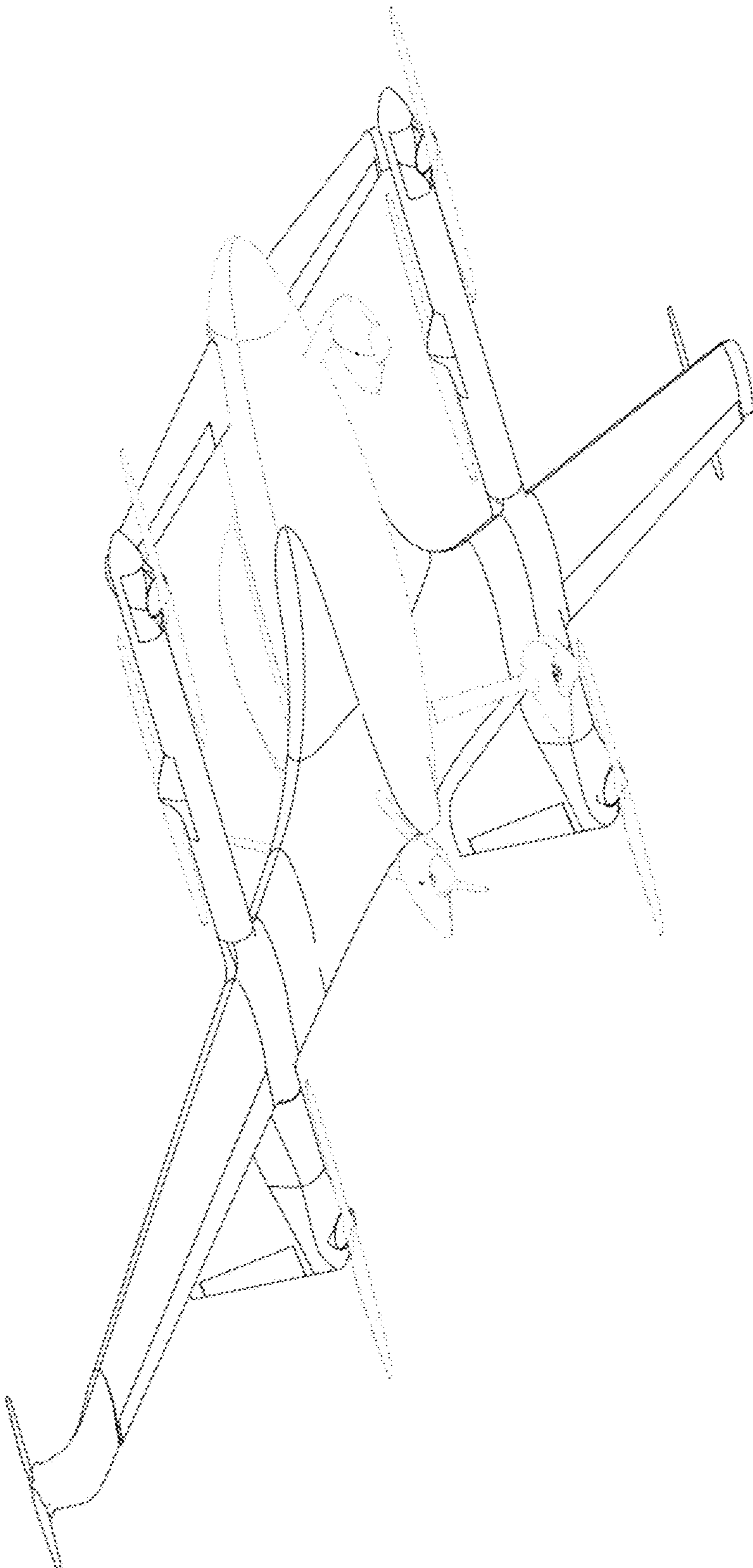


Fig. 7