



US00D952511S

(12) **United States Design Patent**
Wang

(10) **Patent No.:** **US D952,511 S**
(45) **Date of Patent:** **** May 24, 2022**

(54) **TREE STAND**
(71) Applicant: **CENTRESKY CRAFTS (SHANTOU) CO., LTD**, Shantou (CN)
(72) Inventor: **Ruisheng Wang**, Shantou (CN)

D397,061 S * 8/1998 Wright D11/130.1
D399,166 S * 10/1998 Wright D11/130.1
6,681,519 B2 * 1/2004 Cone A47G 33/1206
248/519
7,021,598 B2 * 4/2006 Kao A47F 5/025
248/519

(**) Term: **15 Years**

(Continued)

(21) Appl. No.: **29/736,614**

(22) Filed: **Jun. 2, 2020**

(30) **Foreign Application Priority Data**

May 27, 2020 (CN) 202030253715.4

(51) **LOC (13) Cl.** **06-99**

(52) **U.S. Cl.**
USPC **D11/130.1**

(58) **Field of Classification Search**
USPC ... D11/117, 121, 130, 130.1, 131, 143, 144,
D11/152, 153, 154; 428/7, 8, 9, 12, 15,
428/19, 20; 248/519, 523-526; 47/39,
47/40.5, 41.1, 41.11-41.15, 42, 43
CPC . E04H 12/2238; E04H 12/3346; A47G 33/12;
A47G 33/1206; A47G 33/1213; A47G
33/1226; A47G 33/1246; A47G 33/126
See application file for complete search history.

(56) **References Cited**

U.S. PATENT DOCUMENTS

1,481,015 A * 1/1924 Klein A47G 33/1206
248/524
D177,698 S * 5/1956 Scanland D11/130.1
2,904,291 A * 9/1959 Harbes A47G 33/12
248/515
2,908,461 A * 10/1959 Coffeen A47G 33/12
47/40.5
4,699,347 A * 10/1987 Kuhnley A47G 33/1213
248/230.8
D321,839 S * 11/1991 Rosato D11/130.1
D342,463 S * 12/1993 Brooks D11/130.1
D351,570 S * 10/1994 Fillipp D11/130.1
D364,831 S * 12/1995 Fillipp D11/130.1

OTHER PUBLICATIONS

Yard Butler Santa's Helper Christmas Tree Stand, 6'-11', Green,
[*Primary Examiner* — Elizabeth J Oswecki](https://www.amazon.com/Yard-Butler-Santas-Helper-Christmas/dp/B07FTV2WTZ/ref=asc_df_B07FTV2WTZ/?tag=hyprod-20&linkCode=df0&hvadid=295934635191&hvpos=&hvnetw=g&hvrand=16384391572698763187&hvpone=&hvpone=&hvptwo=&hvqmt=&hvd.Dec. 8, 2018. (Year: 2018).*</p></div>
<div data-bbox=)

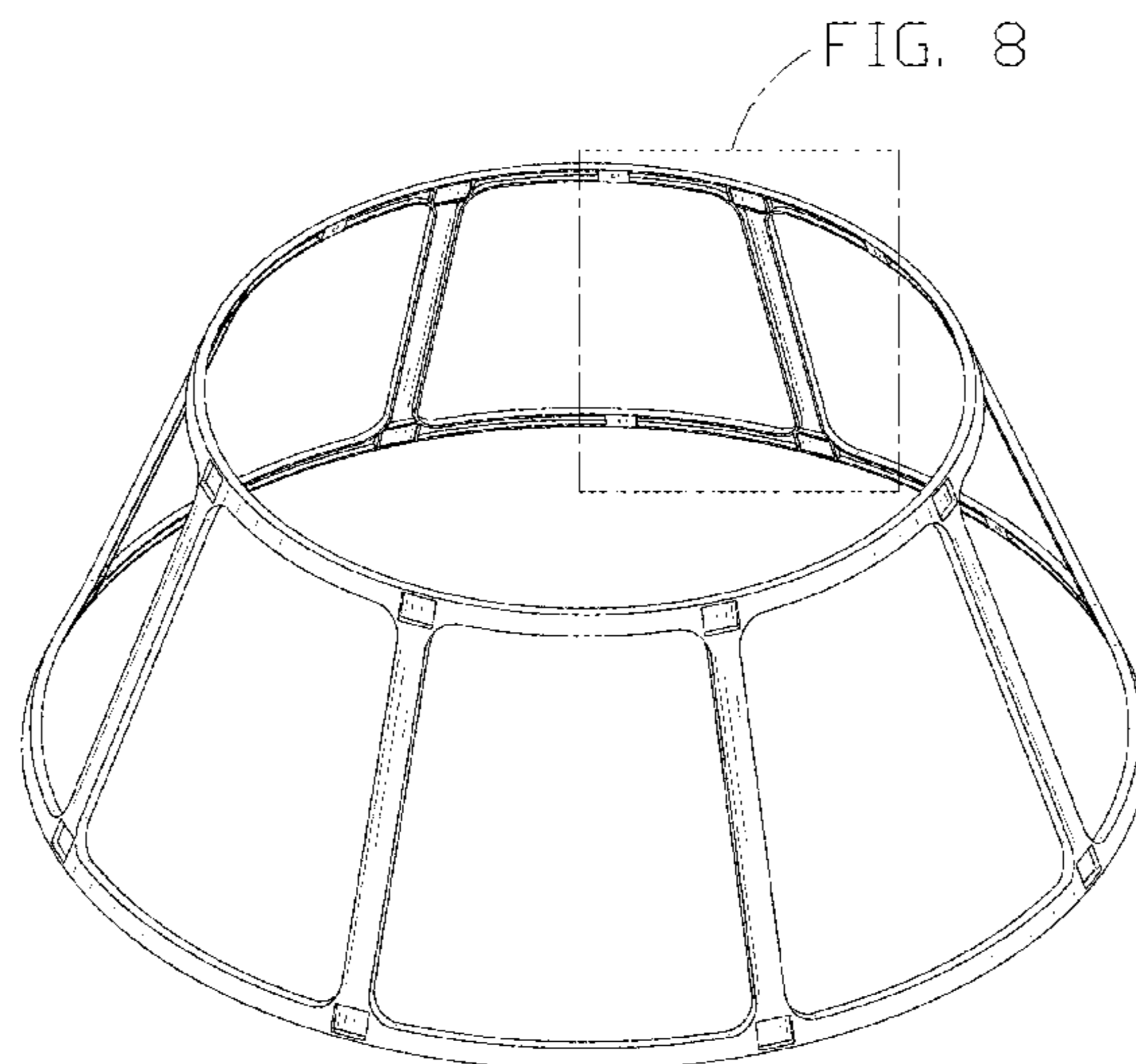
(57) **CLAIM**

The ornamental design for a tree stand, as shown and described.

DESCRIPTION

FIG. 1 is a perspective view of a tree stand showing my new design;
FIG. 2 is a front view thereof;
FIG. 3 is a back view thereof;
FIG. 4 is a left side view thereof;
FIG. 5 is a right side view thereof;
FIG. 6 is a top view thereof;
FIG. 7 is a bottom view thereof;
FIG. 8 is an enlarged portion view taken from encircled portion labeled FIG. 8 in FIG. 1; and,
FIG. 9 is an enlarged portion view taken from encircled portion labeled FIG. 9 in FIG. 7.
The broken lines shown in the drawings depict portions of the tree stand that form no part of the claimed design.
The dashed-dot lines in FIGS. 1 and 7 illustrate the boundary lines of the enlarged portion views shown in FIGS. 8 and 9 and form no part of the claimed design.

1 Claim, 9 Drawing Sheets



(56)

References Cited

U.S. PATENT DOCUMENTS

D676,353 S	*	2/2013	Bycraft	D11/130.1
D846,430 S	*	4/2019	Wach	D11/130.1
D911,870 S	*	3/2021	Wang	D11/130.1

* cited by examiner

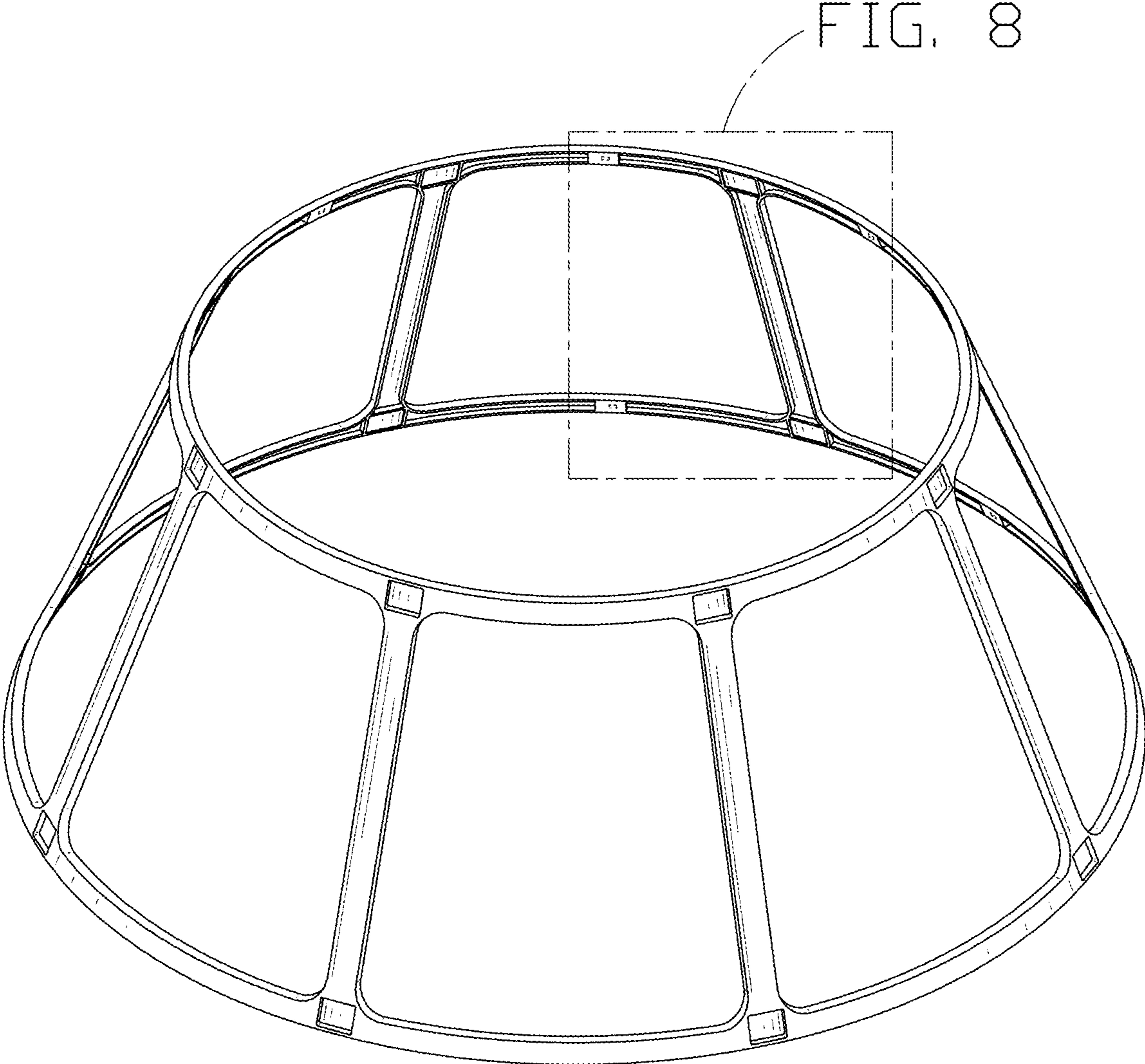


FIG. 1

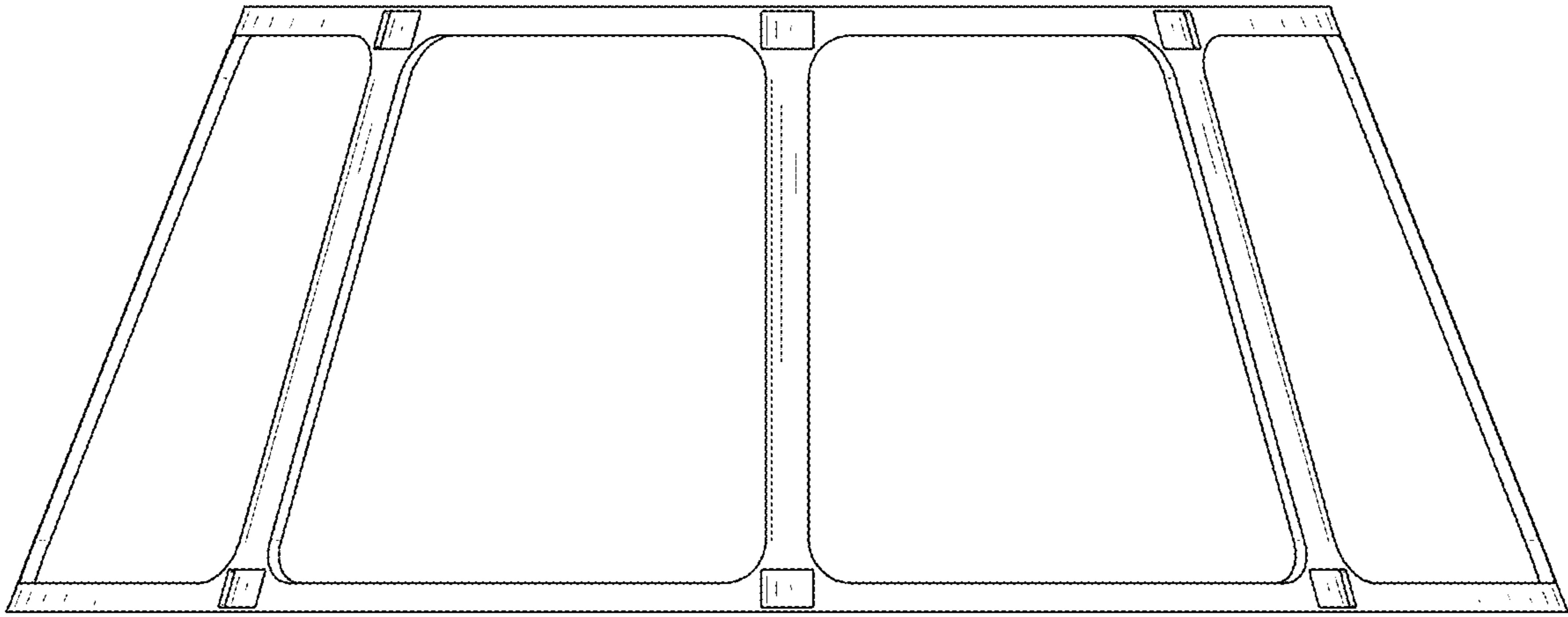


FIG. 2

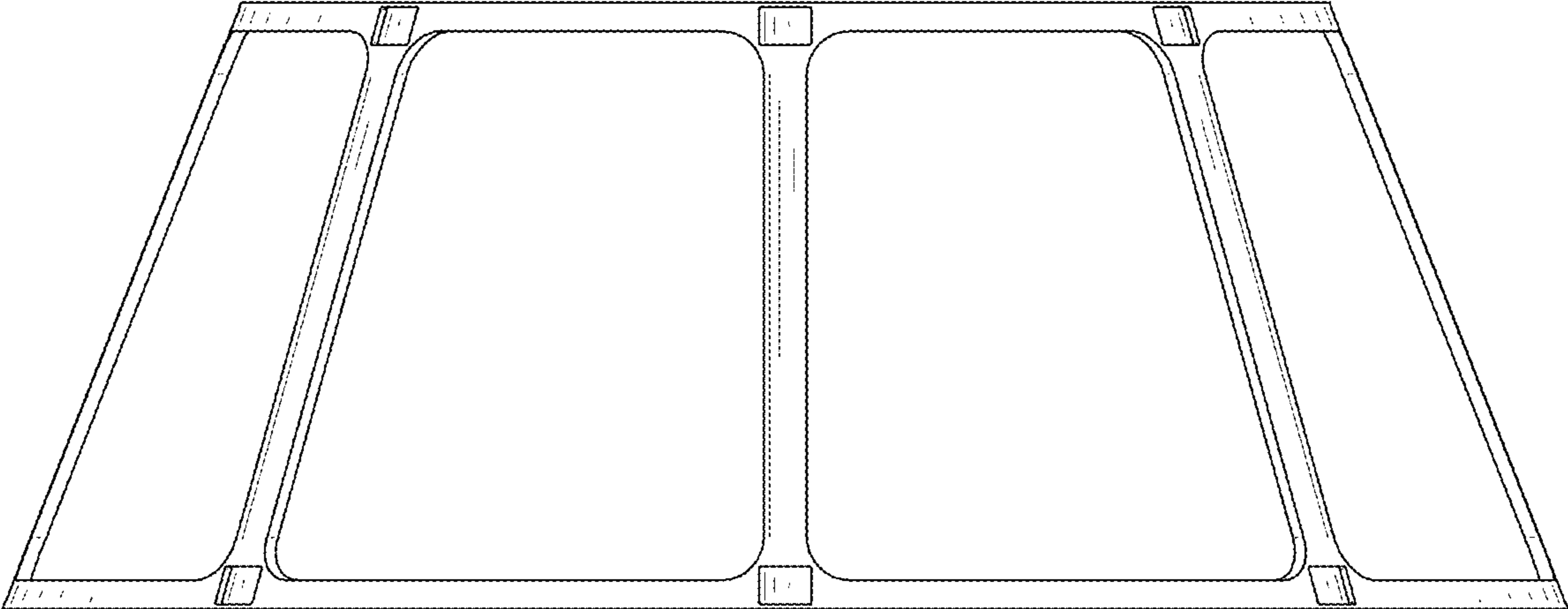


FIG. 3

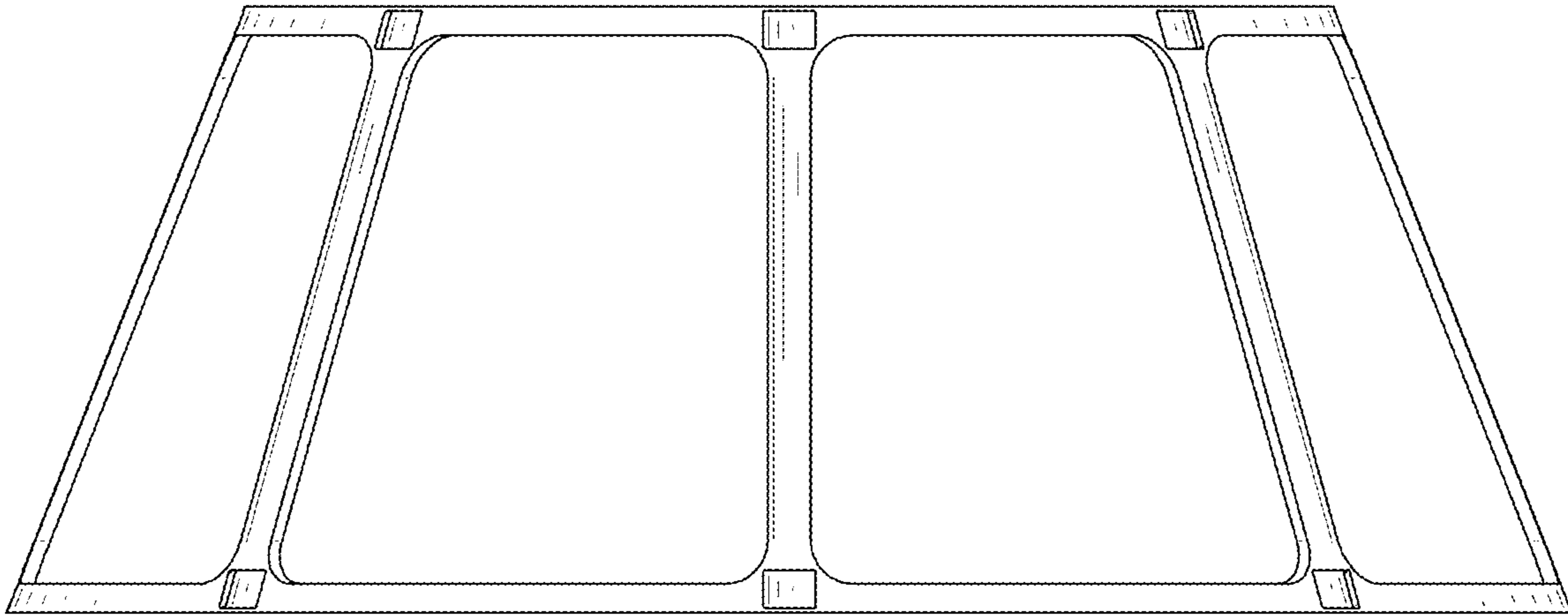


FIG. 4

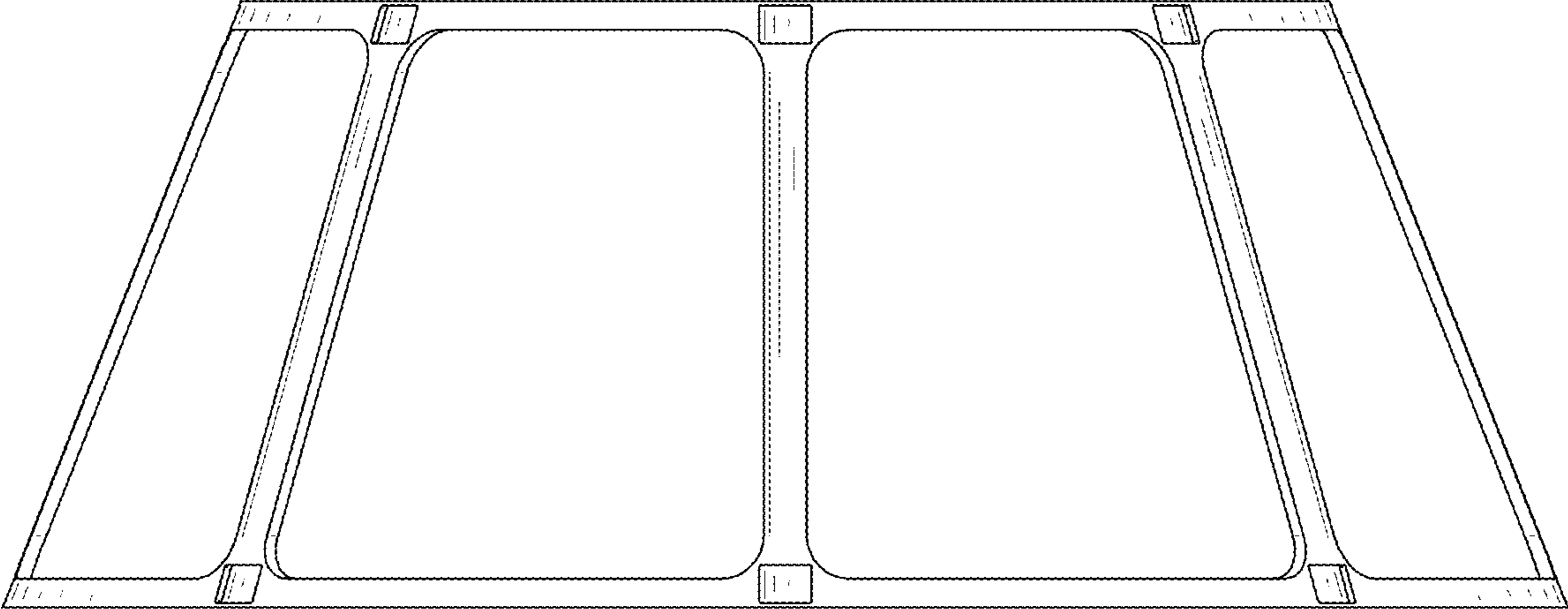


FIG. 5

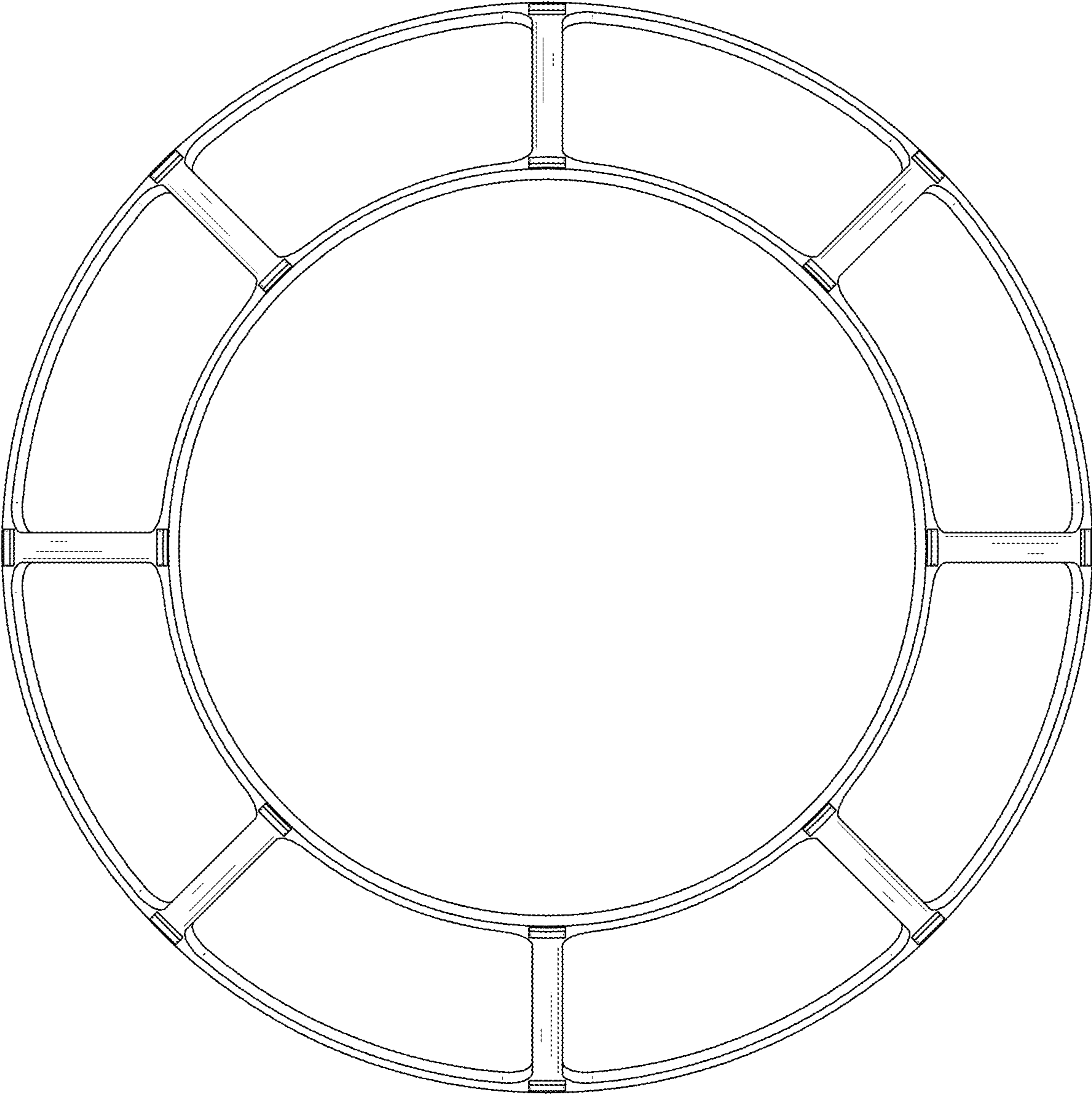


FIG. 6

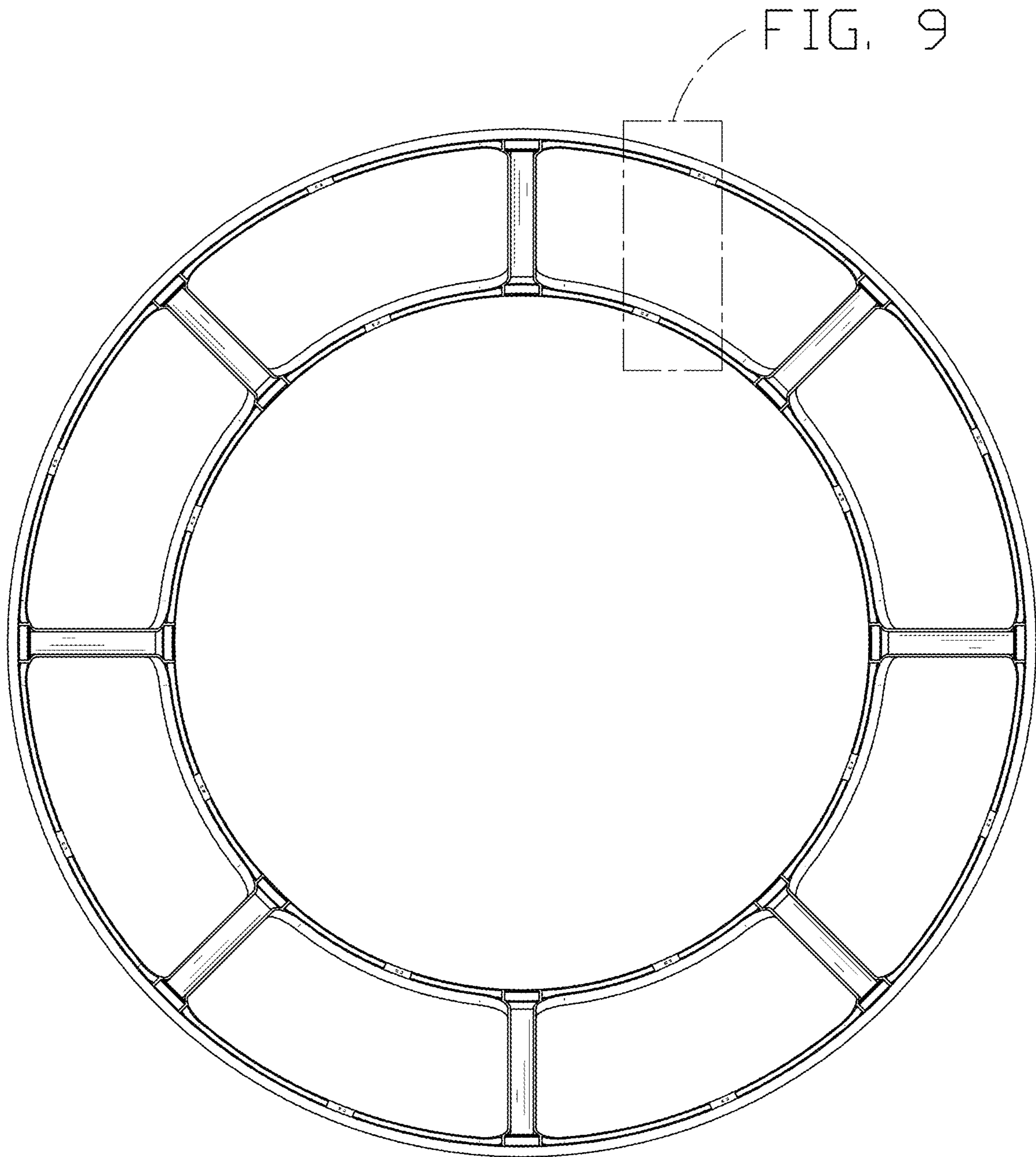


FIG. 7

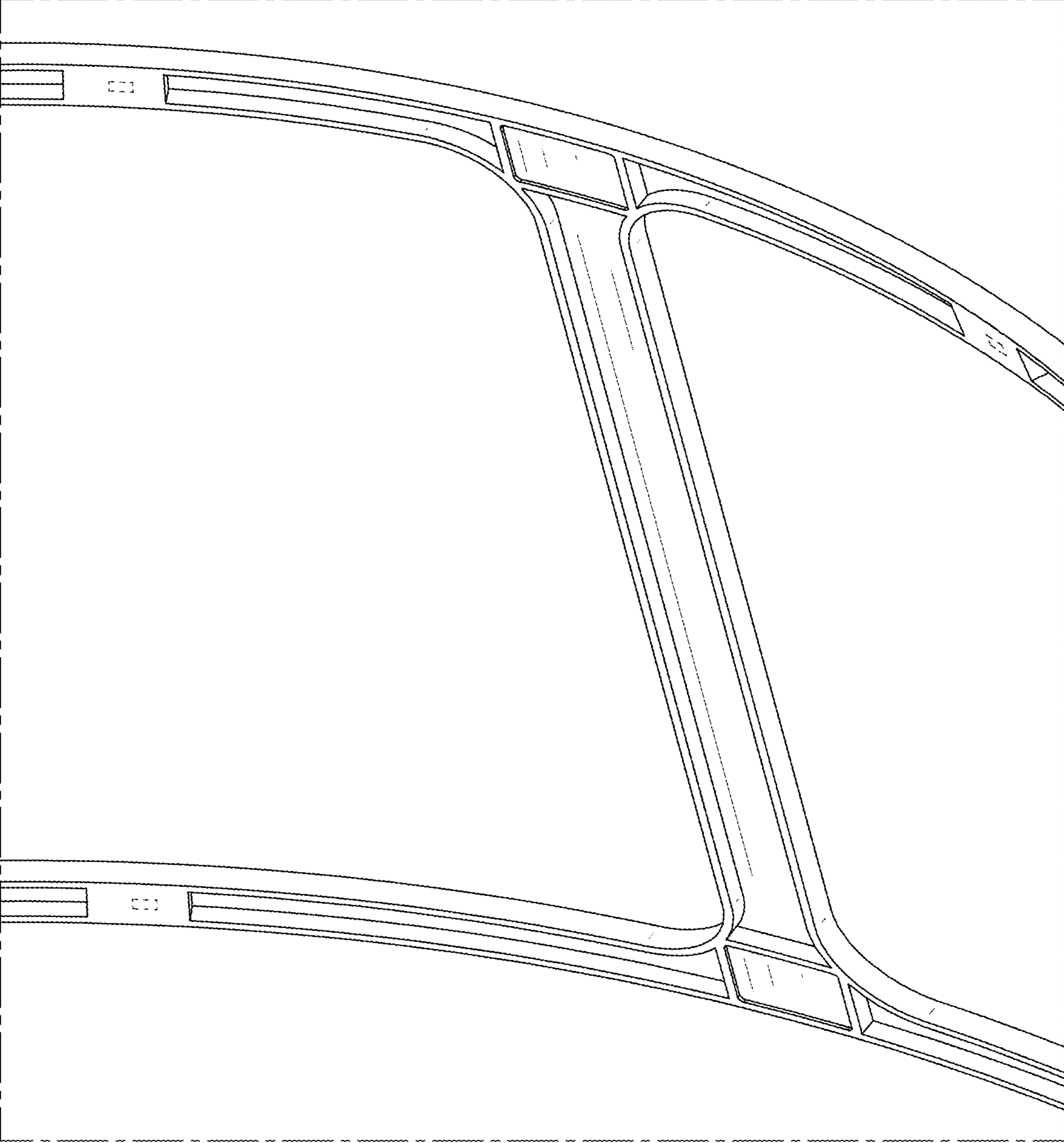


FIG. 8

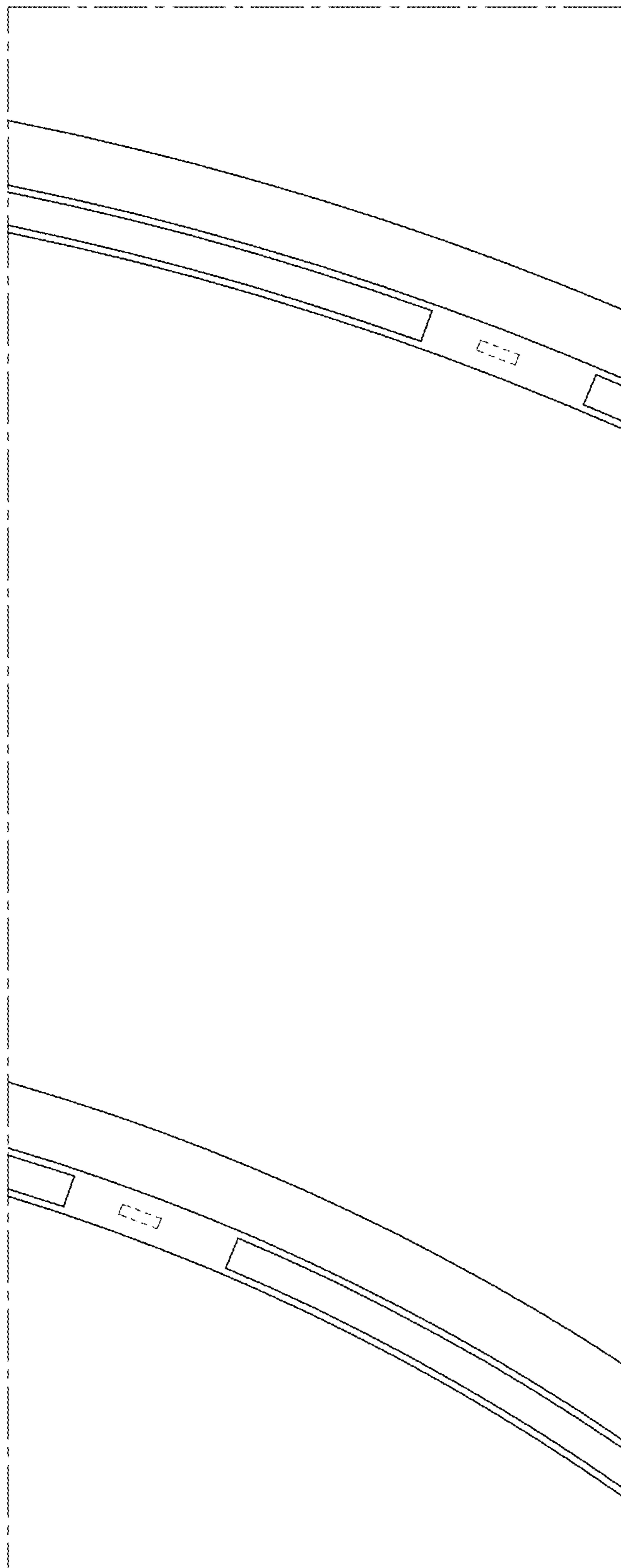


FIG. 9