



US00D952510S

(12) **United States Design Patent** (10) **Patent No.:** **US D952,510 S**
Padeh et al. (45) **Date of Patent:** **** May 24, 2022**

(54) **OVAL CUSHION STONE**

(71) Applicant: **Dov Padeh**, Cedarhurst, NY (US)
(72) Inventors: **Dov Padeh**, Cedarhurst, NY (US); **Wolf Gluck**, Monroe, NY (US)

(73) Assignee: **Dov Padeh**, Cedarhurst, NY (US)

(**) Term: **15 Years**

(21) Appl. No.: **29/764,238**

(22) Filed: **Dec. 29, 2020**

(51) **LOC (13) Cl.** **11-01**

(52) **U.S. Cl.**
USPC **D11/90**

(58) **Field of Classification Search**
USPC ... D11/1, 3, 7, 8, 26, 34-40, 42, 43, 79, 86,
D11/89-92, 16; D1/106, 127
CPC A44C 17/00; A44C 17/001; A44C 17/002;
A44C 17/003; A44C 17/005; A44C
17/006; A44C 17/007; A44C 17/008
See application file for complete search history.

(56) **References Cited**

U.S. PATENT DOCUMENTS

D506,698 S *	6/2005	Lax	A44C 17/001
				D11/90
D596,525 S *	7/2009	Peled	D11/90
D727,784 S *	4/2015	Siman-Tov	D11/90
D732,419 S *	6/2015	Wong	D11/86
D734,200 S *	7/2015	Rydlewicz	D11/90
D738,778 S *	9/2015	Rydlewicz	D11/90
D763,122 S *	8/2016	Rydlewicz	D11/90
D839,770 S *	2/2019	Rydlewicz	D11/90

(Continued)

FOREIGN PATENT DOCUMENTS

RU 00073300 * 12/2009

OTHER PUBLICATIONS

Tampopo, Marco Voltolini, Apr. 6, 2011, [online] [site visited Nov. 3, 2021]. Retrieved from url:https://www.gemologyproject.com/wiki/index.php?title=Voltolini_-_Tampopo (Year: 2011).*

(Continued)

Primary Examiner — Michelle E. Wilson

Assistant Examiner — Tracey J Bell

(74) *Attorney, Agent, or Firm* — Ostrager Chong Flaherty & Broitman P.C.

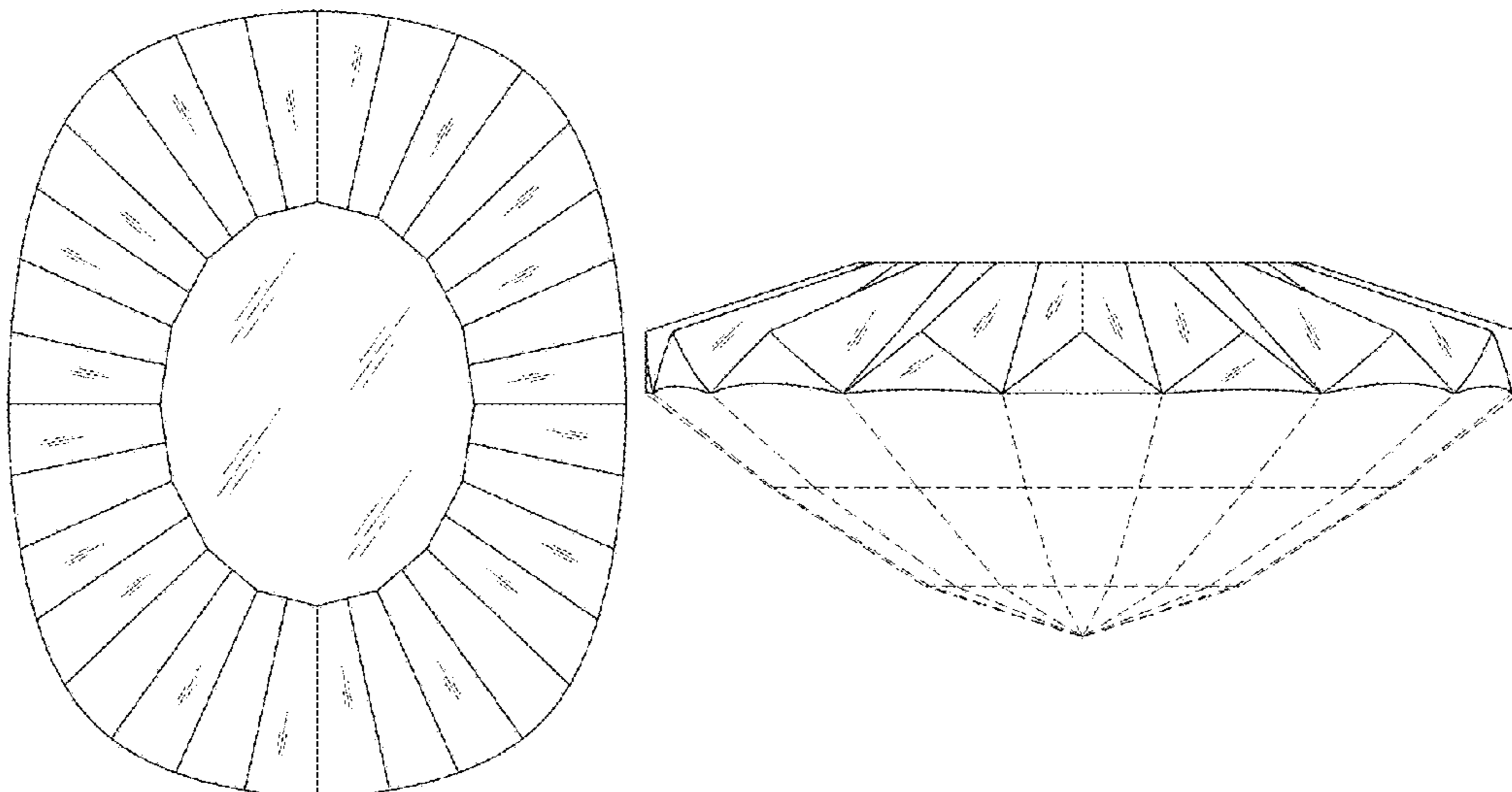
(57) **CLAIM**

We claim the ornamental design for an oval cushion stone, as shown and described.

DESCRIPTION

FIG. 1 is a top, front, and right side perspective view of an oval cushion stone;
FIG. 2 is a bottom, rear, and left side perspective view thereof;
FIG. 3 is a top view thereof;
FIG. 4 is a bottom view thereof; and
FIG. 5 is a left side view thereof, the right side view being a mirror image thereof;
FIG. 6 is a front side view thereof, the rear side view being a mirror image thereof;
FIG. 7 is a top, front, and right side perspective view of an alternative embodiment of an oval cushion stone;
FIG. 8 is a bottom, rear, and left side perspective view thereof;
FIG. 9 is a top view thereof;
FIG. 10 is a bottom view thereof; and
FIG. 11 is a left side view thereof, the right side view being a mirror image thereof; and,
FIG. 12 is a front side view thereof, the rear side view being a mirror image thereof.
The broken lines in FIGS. 1, 2, 4, 5, 6, 7, 8, 10, 11 and 12 depict portions of the oval cushion stone that form no part of the claimed design.

1 Claim, 6 Drawing Sheets



(56)

References Cited

U.S. PATENT DOCUMENTS

D839,779 S * 2/2019 Rydlewicz D11/90
D884,548 S * 5/2020 Kwiat D11/90
2011/0265514 A1* 11/2011 Fakier A44C 17/001
63/12

OTHER PUBLICATIONS

PC02-161A Modified Easy Way, Norman Steele, Nov. 1996, [online],
[site visited Nov. 5, 2021]. Retrieved from url: [http://www.
facetdiagrams.org/database/files/pc02161a.html](http://www.facetdiagrams.org/database/files/pc02161a.html) (Year: 1996).*

* cited by examiner

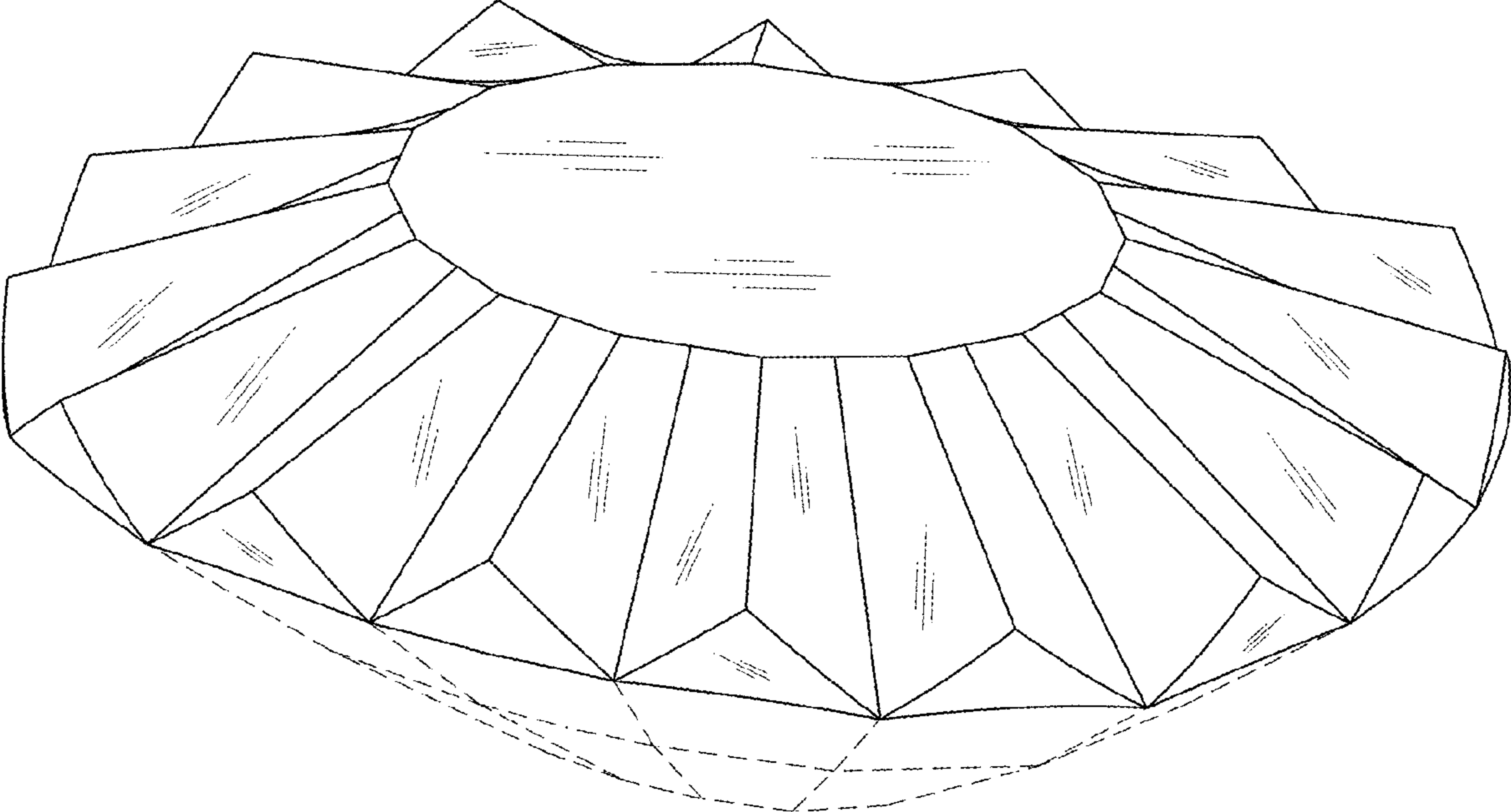


FIG. 1

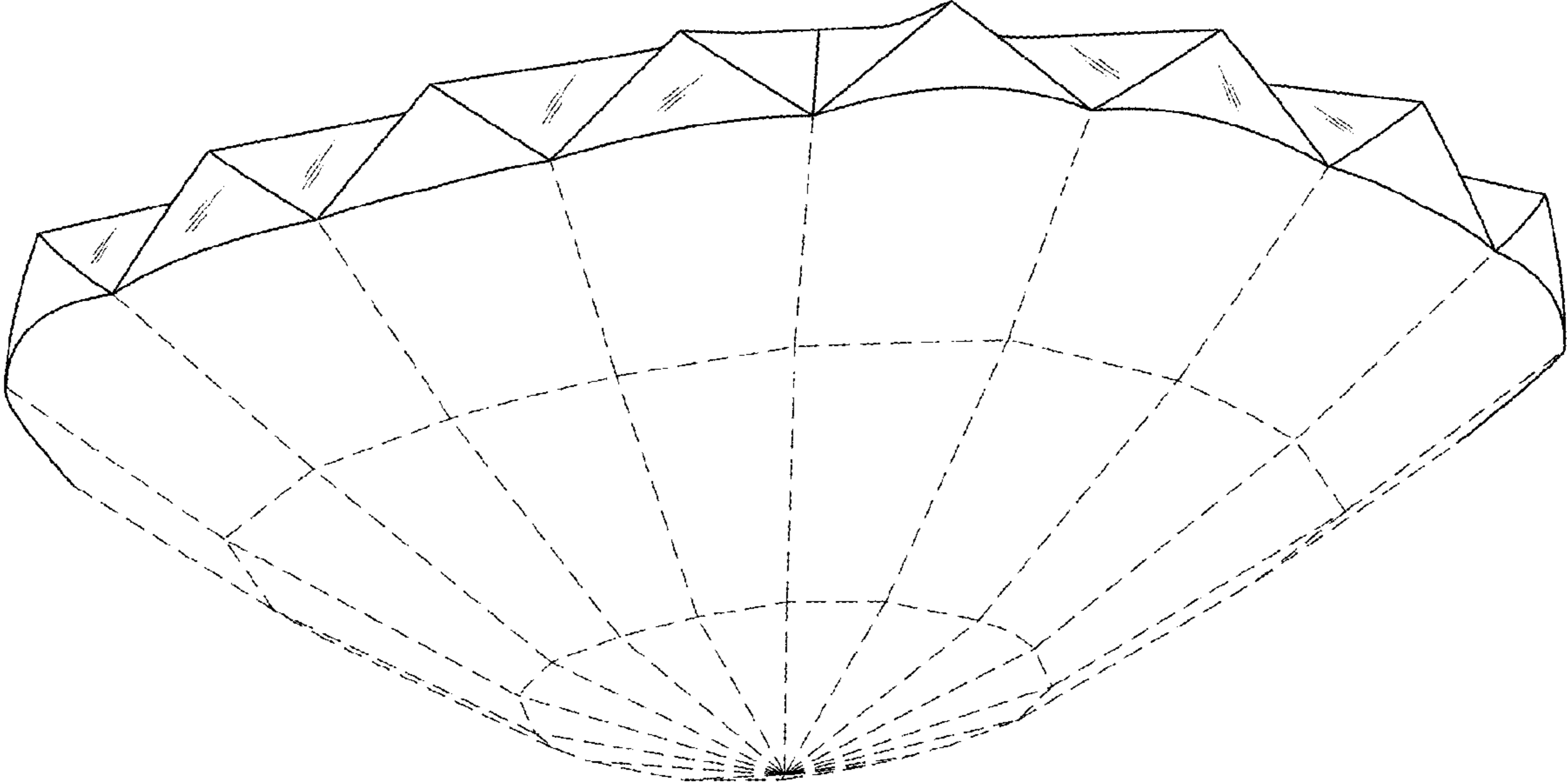


FIG. 2

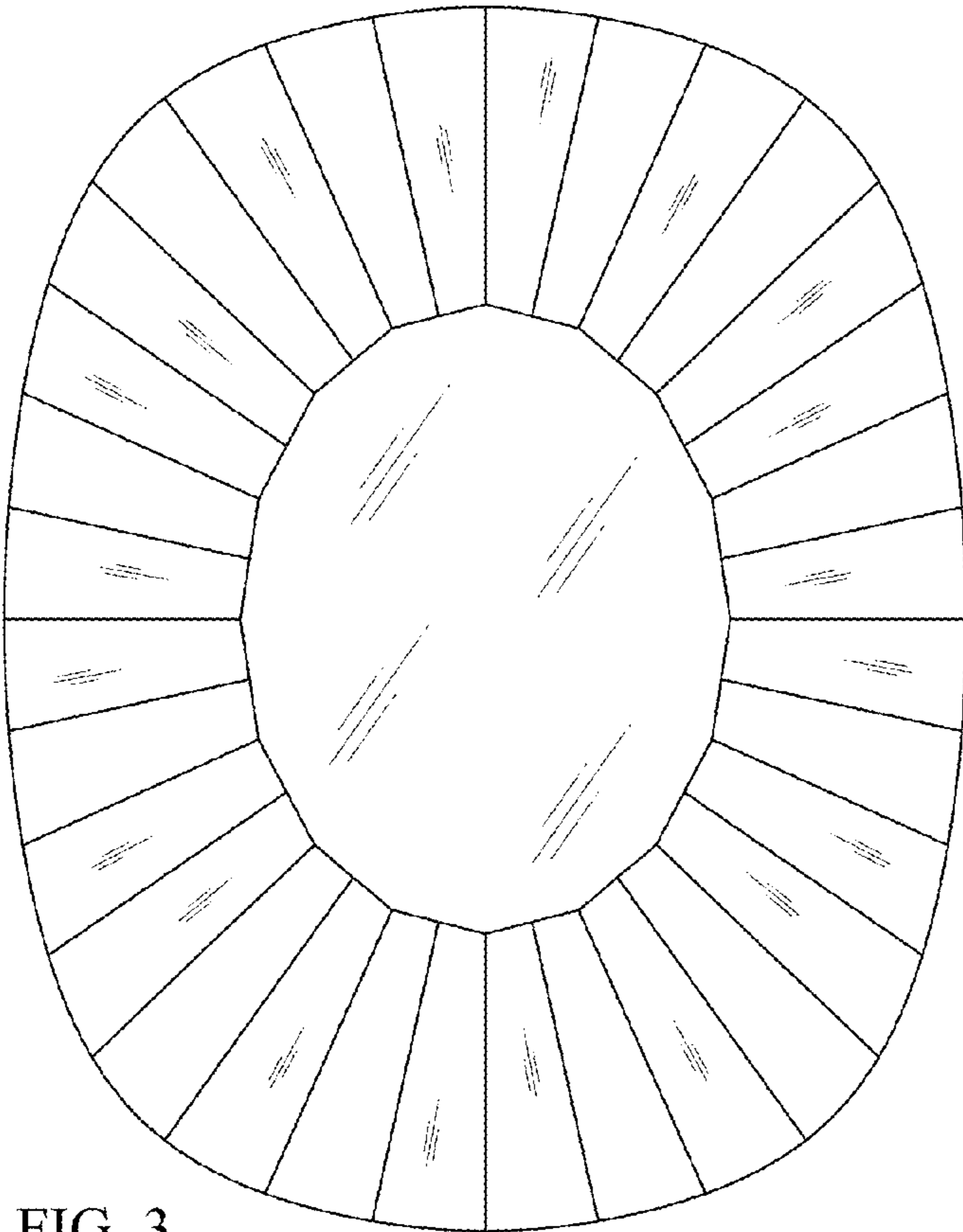


FIG. 3

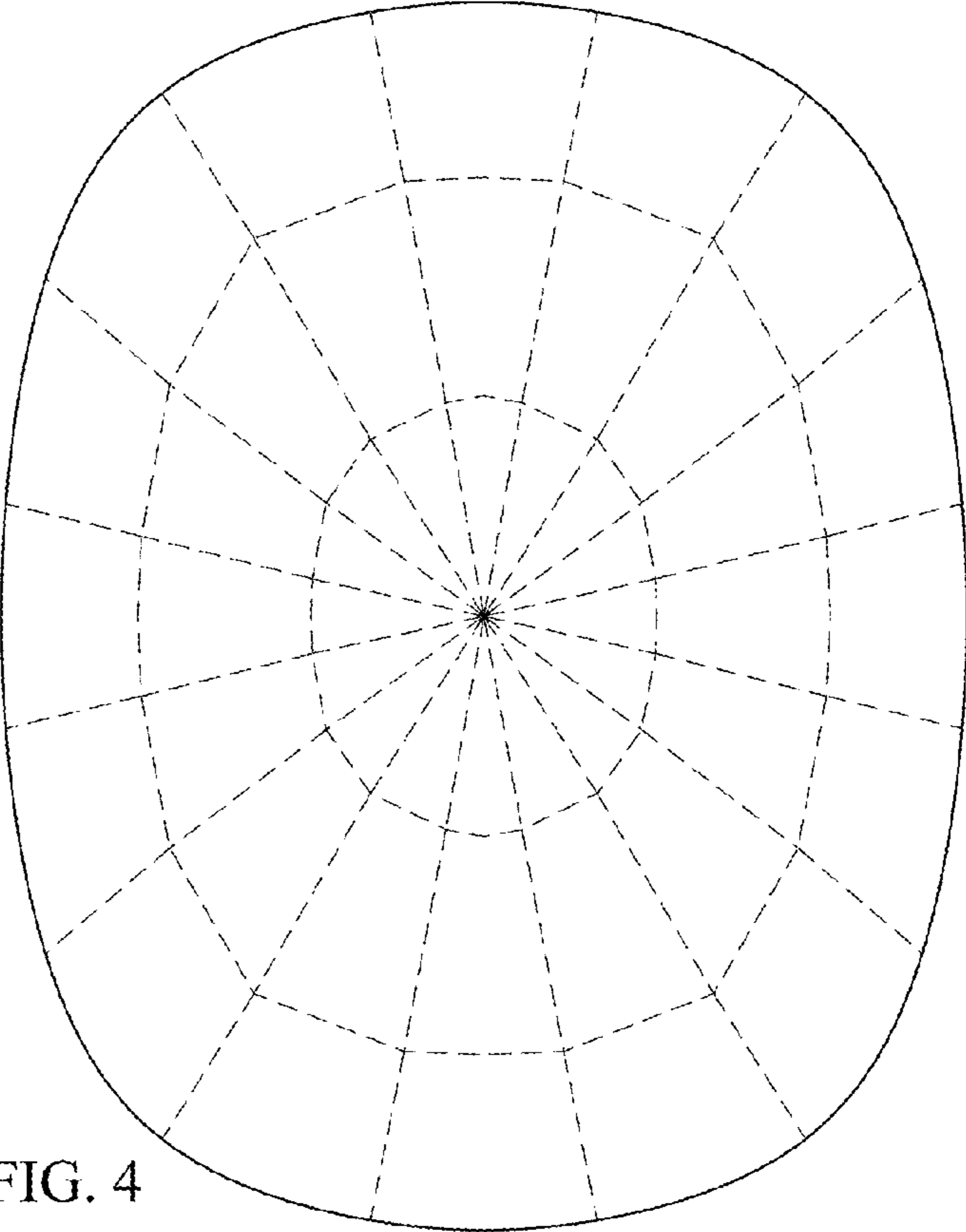


FIG. 4

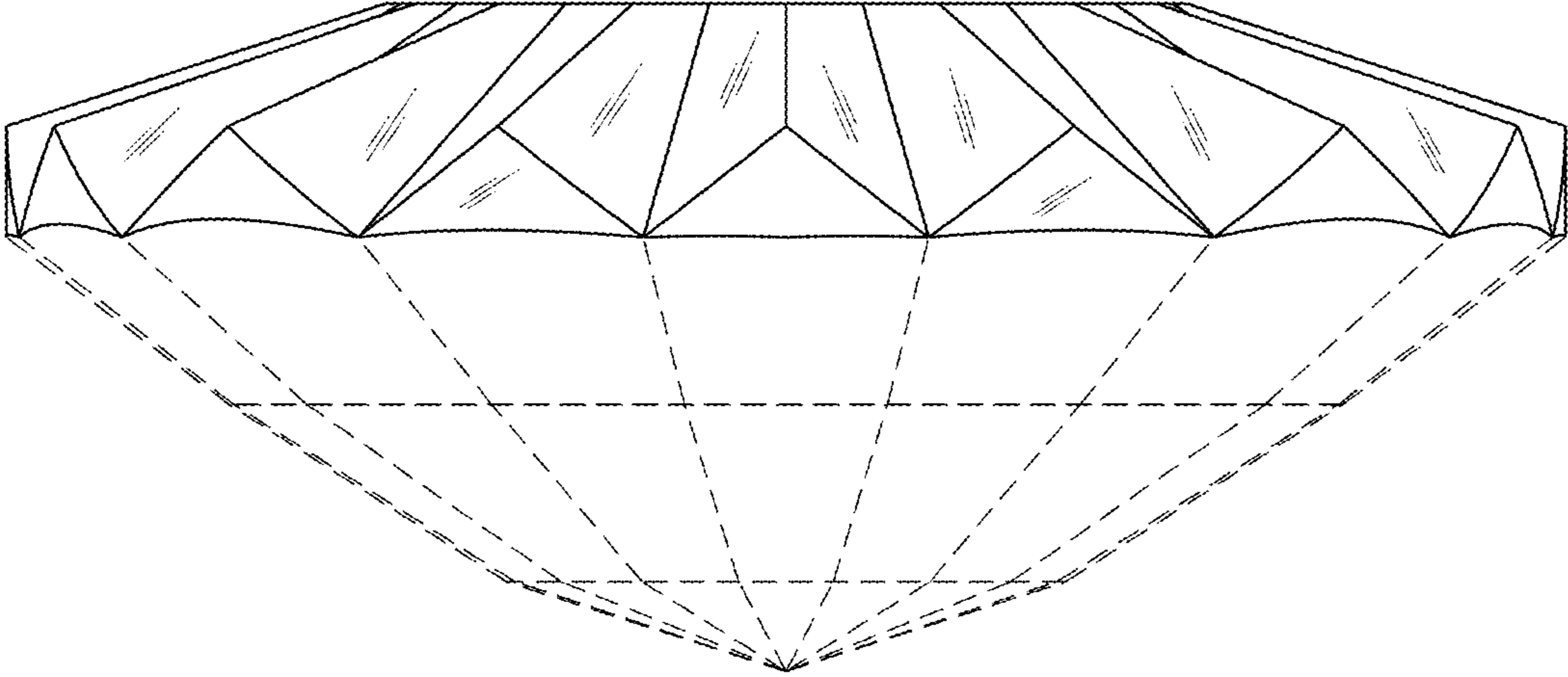


FIG. 5

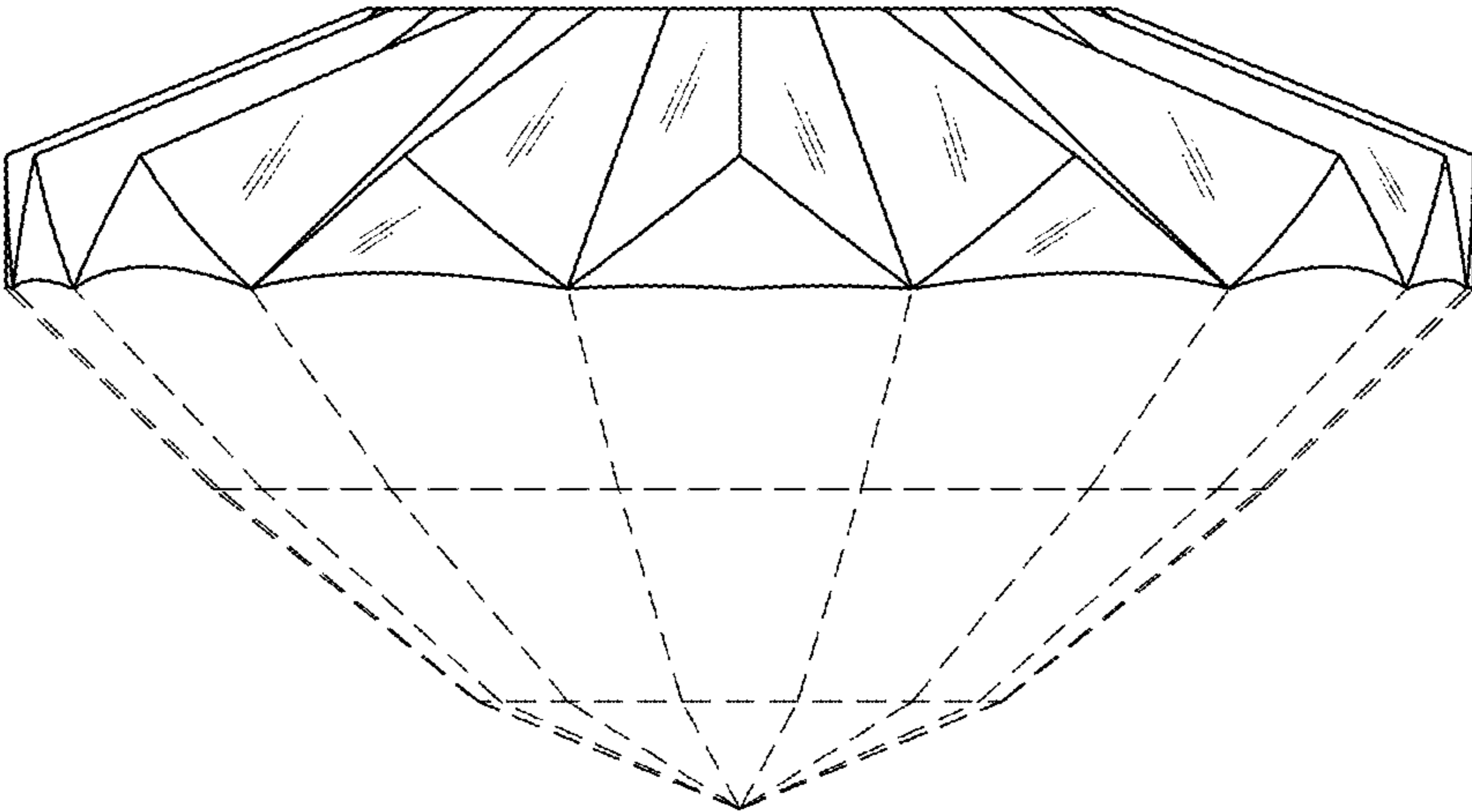


FIG. 6

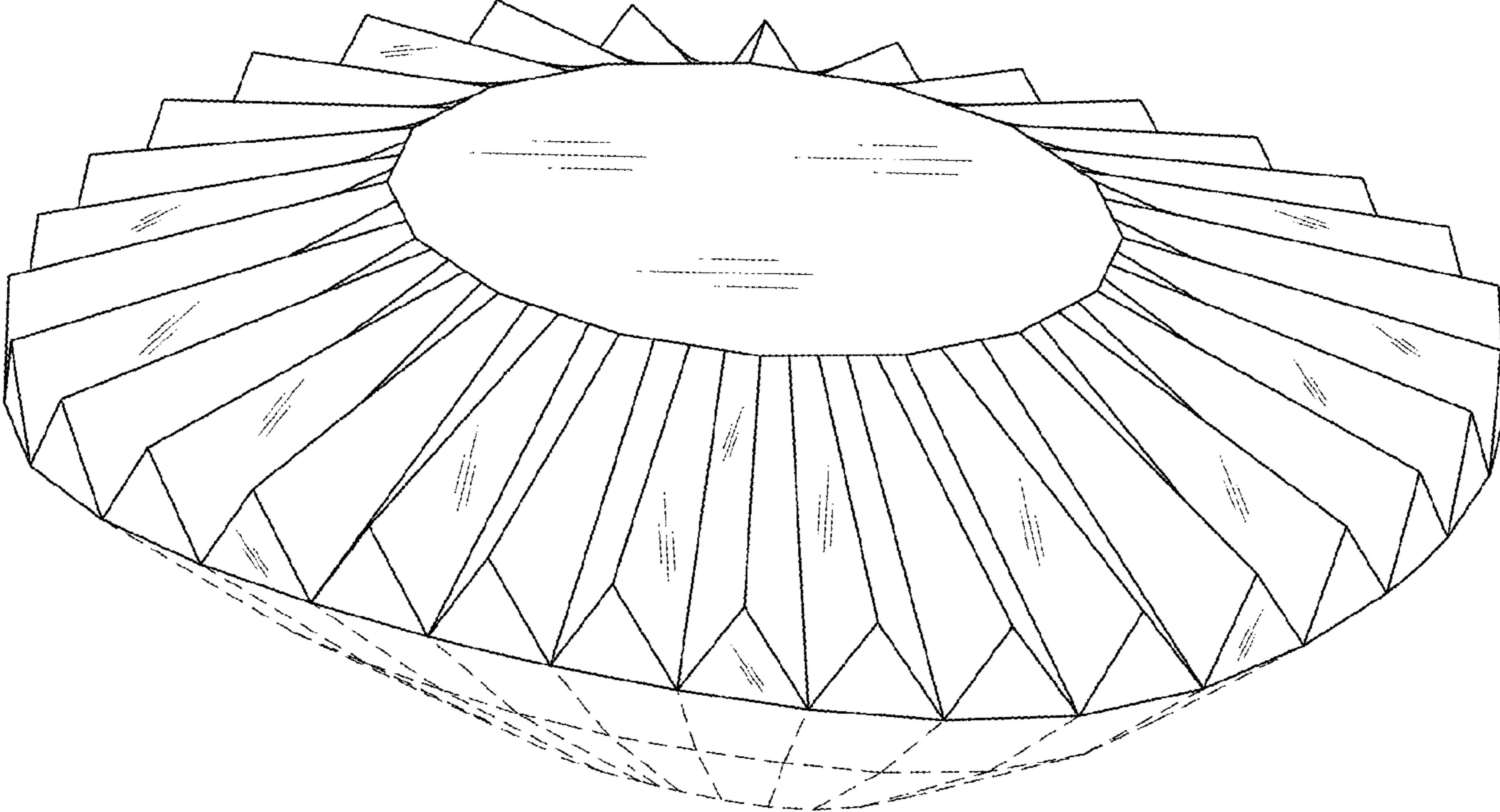


FIG. 7

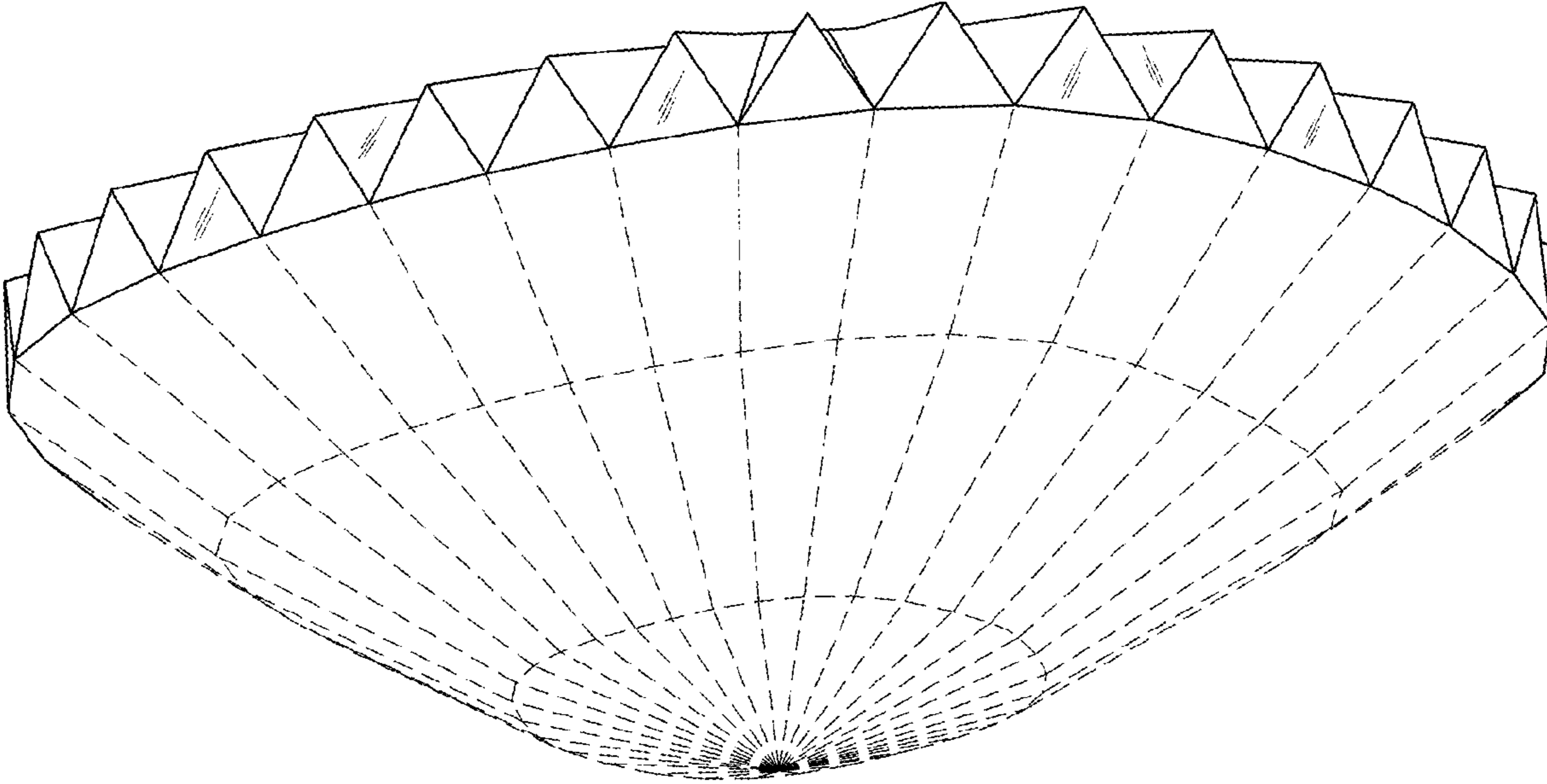


FIG. 8

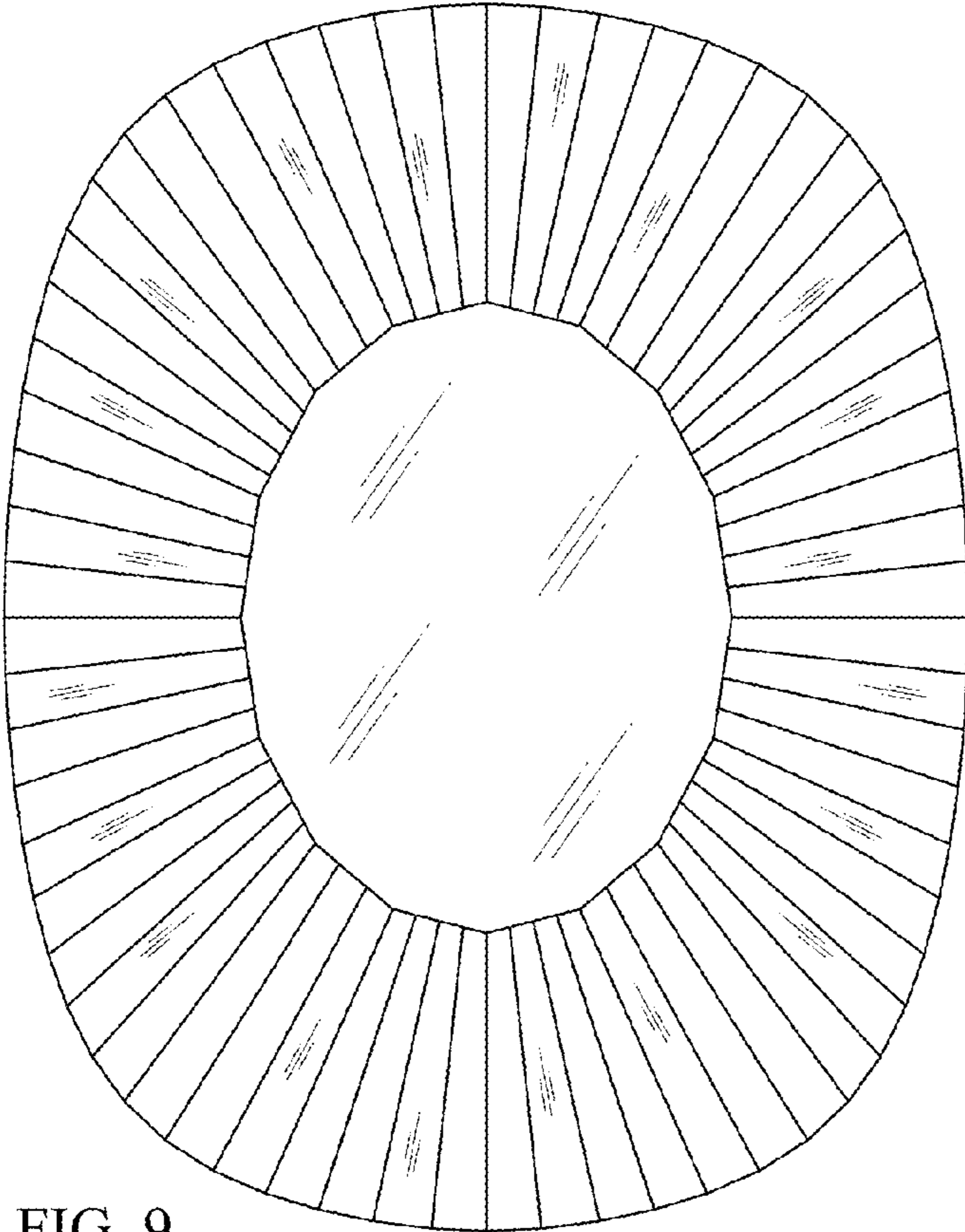


FIG. 9

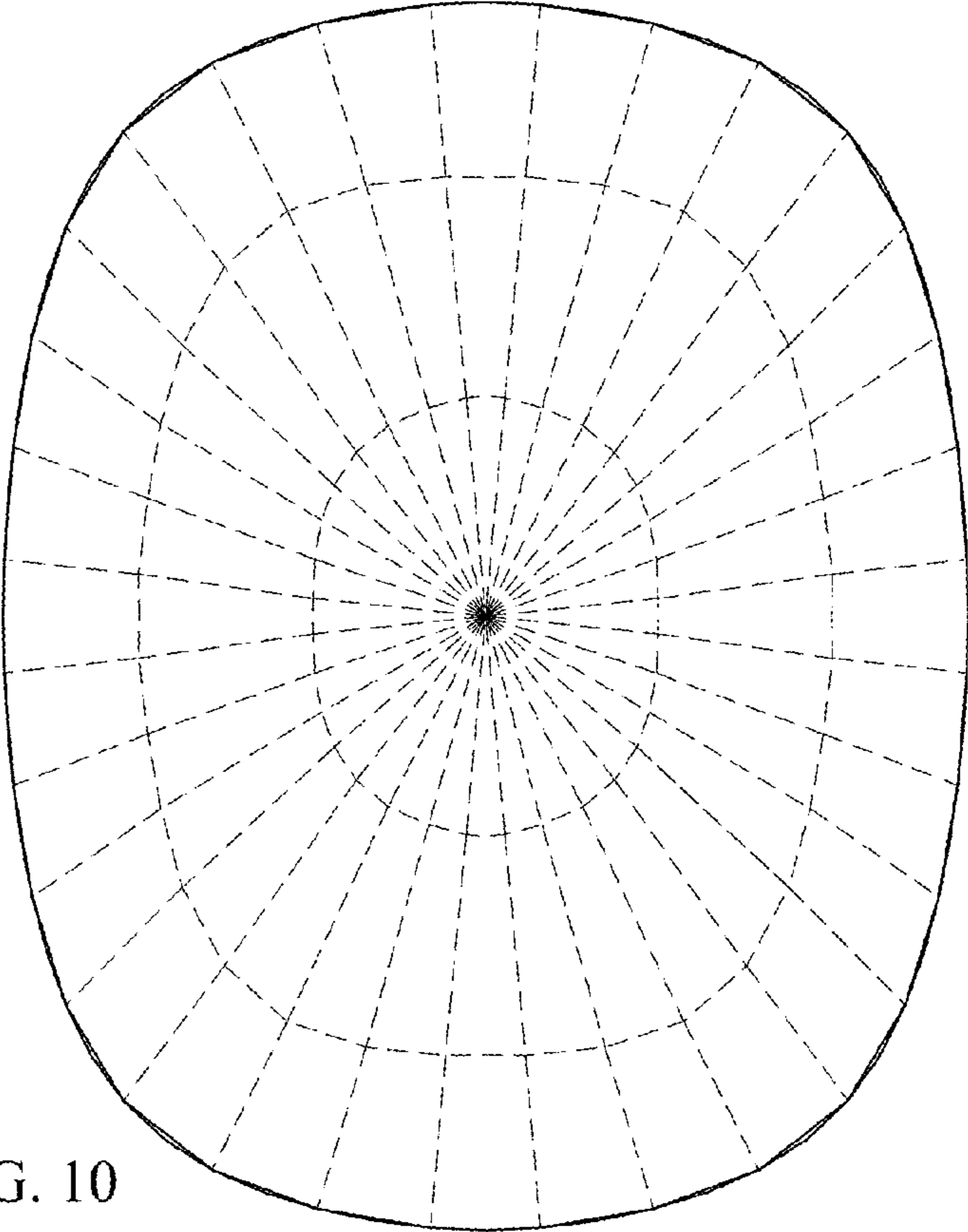


FIG. 10

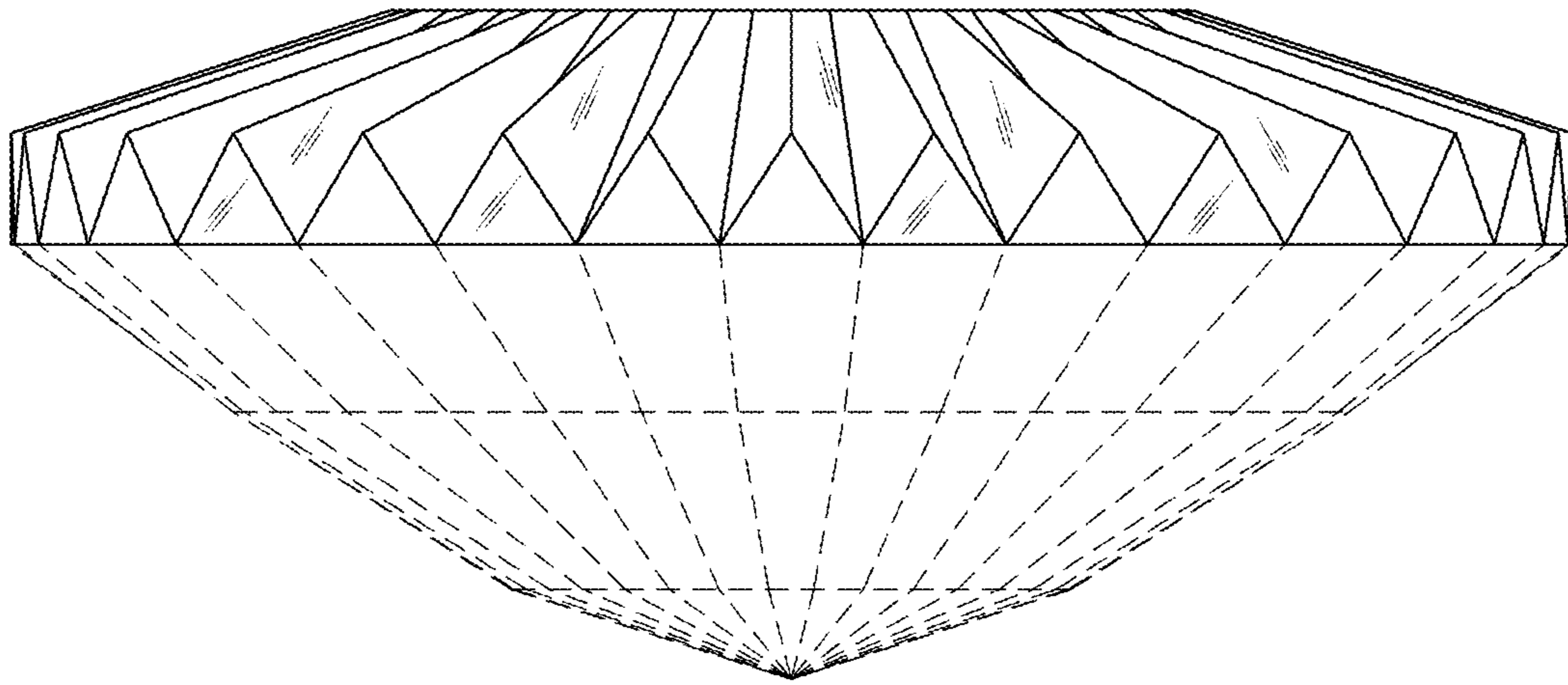


FIG. 11

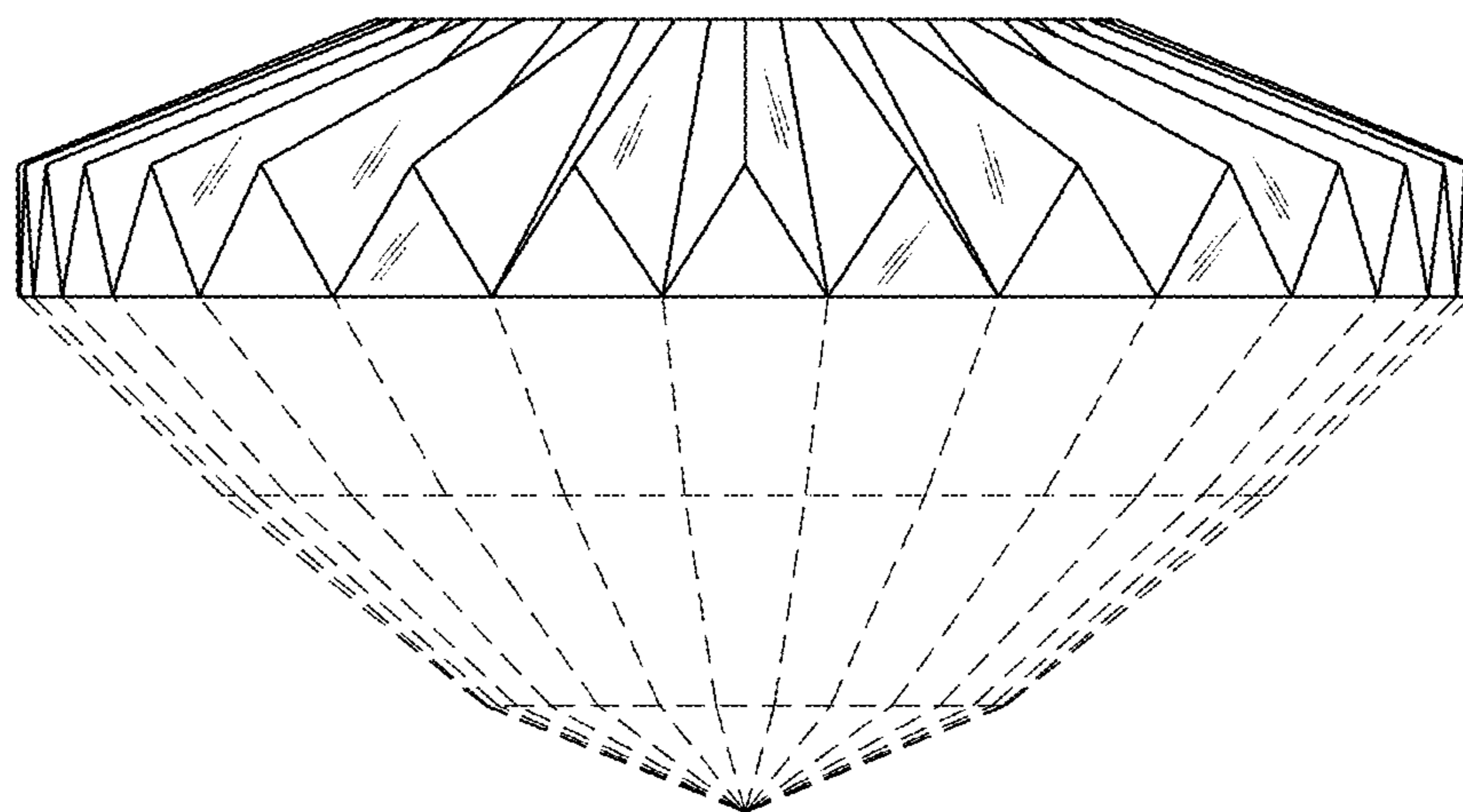


FIG. 12