



US00D952509S

(12) **United States Design Patent**
Padeh et al.

(10) **Patent No.: US D952,509 S**

(45) **Date of Patent: ** May 24, 2022**

(54) **SQUARE EMERALD CUT STONE**

FOREIGN PATENT DOCUMENTS

(71) Applicant: **Dov Padeh**, Cedarhurst, NY (US)

CN 300735534 * 1/2008

(72) Inventors: **Dov Padeh**, Cedarhurst, NY (US); **Wolf Gluck**, Monroe, NY (US)

OTHER PUBLICATIONS

(73) Assignee: **Dov Padeh**, Cedarhurst, NY (US)

Pc07132 Sun Square, Wolkonsky, Stonechat, Jul. 1997, [online], [site visited Nov. 19, 2021]. Retrieved from url:http://www.facetdiagrams.org/database/files/pc07132.html (Year: 1997).*

(**) Term: **15 Years**

* cited by examiner

(21) Appl. No.: **29/764,204**

Primary Examiner — Michelle E. Wilson

(22) Filed: **Dec. 29, 2020**

Assistant Examiner — Tracey J Bell

(51) **LOC (13) Cl.** **11-01**

(74) *Attorney, Agent, or Firm* — Ostrager Chong Flaherty & Broitman P.C.

(52) **U.S. Cl.**

USPC **D11/90**

(58) **Field of Classification Search**

USPC ... D11/1, 3, 7, 8, 26, 34-40, 42, 43, 79, 86, D11/89-92, 16; D1/106, 127

CPC A44C 17/00; A44C 17/001; A44C 17/002; A44C 17/003; A44C 17/005; A44C 17/006; A44C 17/007; A44C 17/008

See application file for complete search history.

(57) **CLAIM**

We claim the ornamental design for a square emerald cut stone, as shown and described.

DESCRIPTION

(56) **References Cited**

U.S. PATENT DOCUMENTS

D317,139 S *	5/1991	Chia	A44C 17/001
				D11/93
D500,961 S *	1/2005	Krochmal	D11/90
D524,687 S *	7/2006	Moller	D11/90
D547,230 S *	7/2007	Unterbrunner	D11/90
D550,115 S *	9/2007	Pandya	D11/90
D732,419 S *	6/2015	Wong	D11/86
D741,214 S *	10/2015	Mezhibovsky	D11/90
D746,169 S *	12/2015	Mezhibovsky	D11/90
D782,934 S *	4/2017	Riviere	D11/42
D851,534 S *	6/2019	Bhosale	D11/91
D875,593 S *	2/2020	Yatsugi-Kang	D11/42
D886,657 S *	6/2020	Yatsugi-Kang	D11/7
2011/0265514 A1 *	11/2011	Fakier	A44C 17/001
				63/12

FIG. 1 is a top, front, and right side perspective view of a square emerald cut stone;

FIG. 2 is a bottom, front, and left side perspective view thereof;

FIG. 3 is a top view thereof;

FIG. 4 is a bottom view thereof;

FIG. 5 is a side view thereof, all side views being the same;

FIG. 6 is a top, front, and right side perspective view of an alternative embodiment of a square emerald cut stone;

FIG. 7 is a bottom, front, and left side perspective view thereof;

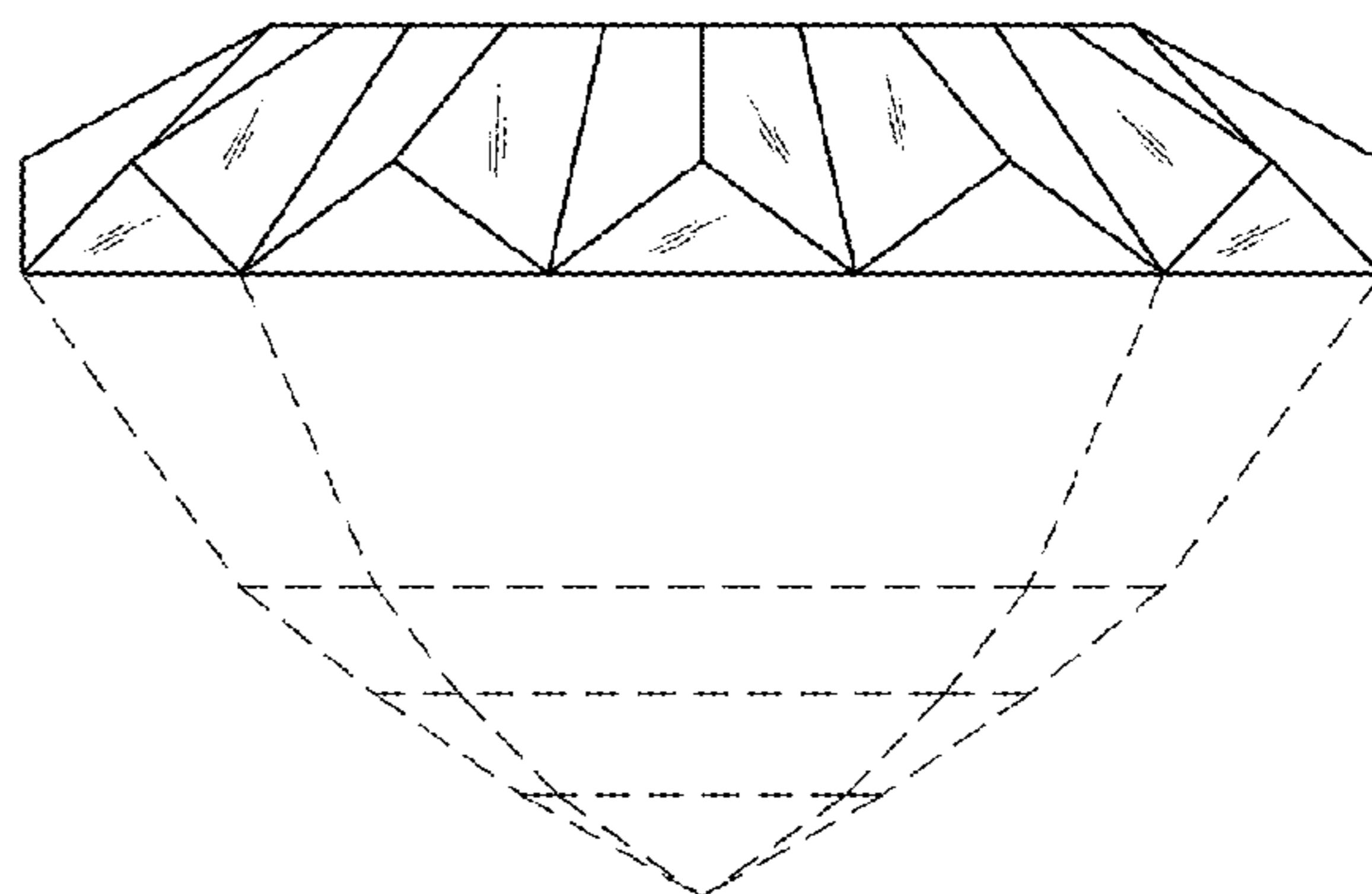
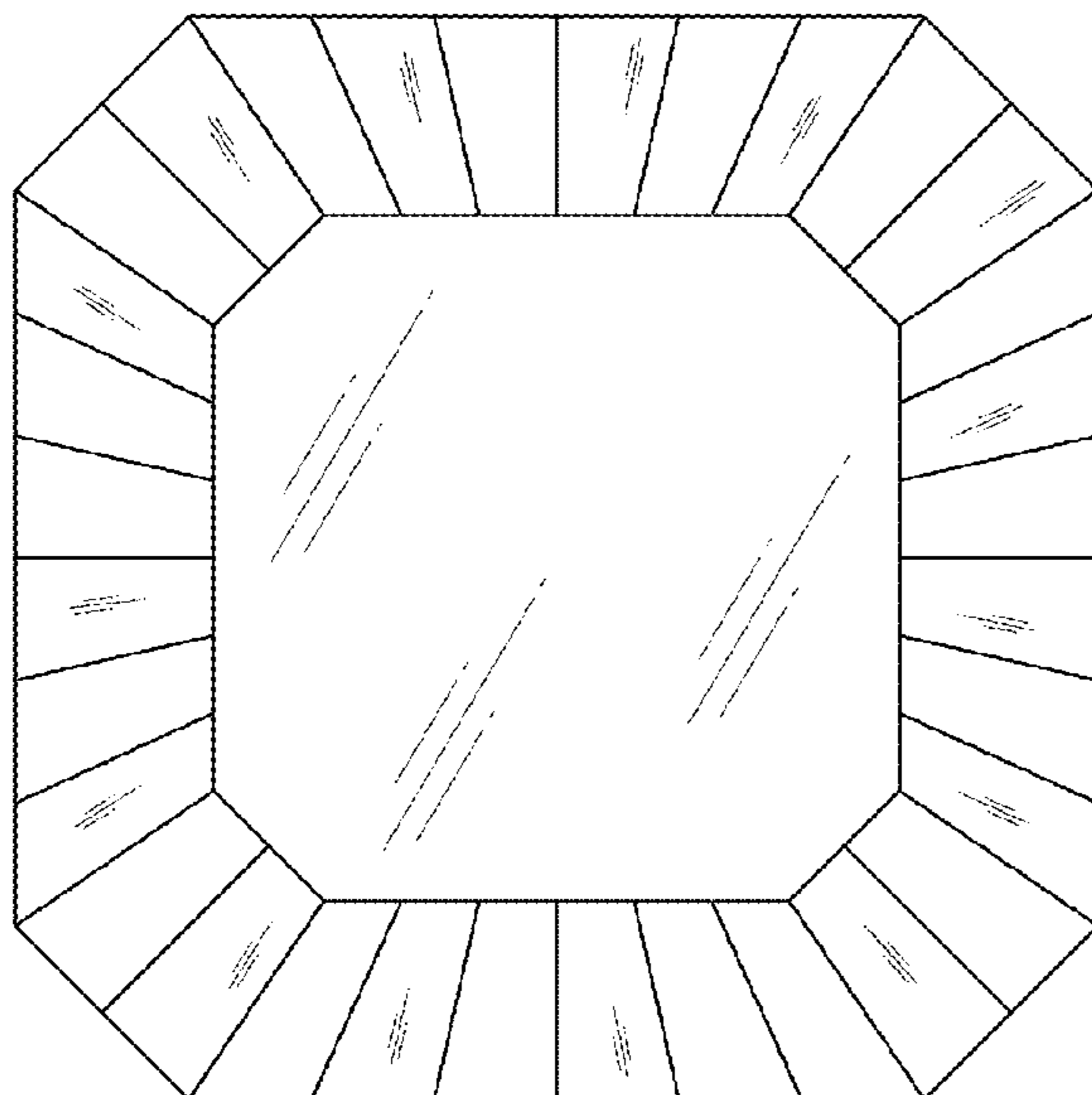
FIG. 8 is a top view thereof;

FIG. 9 is a bottom view thereof; and,

FIG. 10 is a side view thereof, all side views being the same.

The broken lines in FIGS. 1, 2, 4, 5, 6, 7, 9, and 10 depict portions of the square emerald cut stone that form no part of the claimed design.

1 Claim, 6 Drawing Sheets



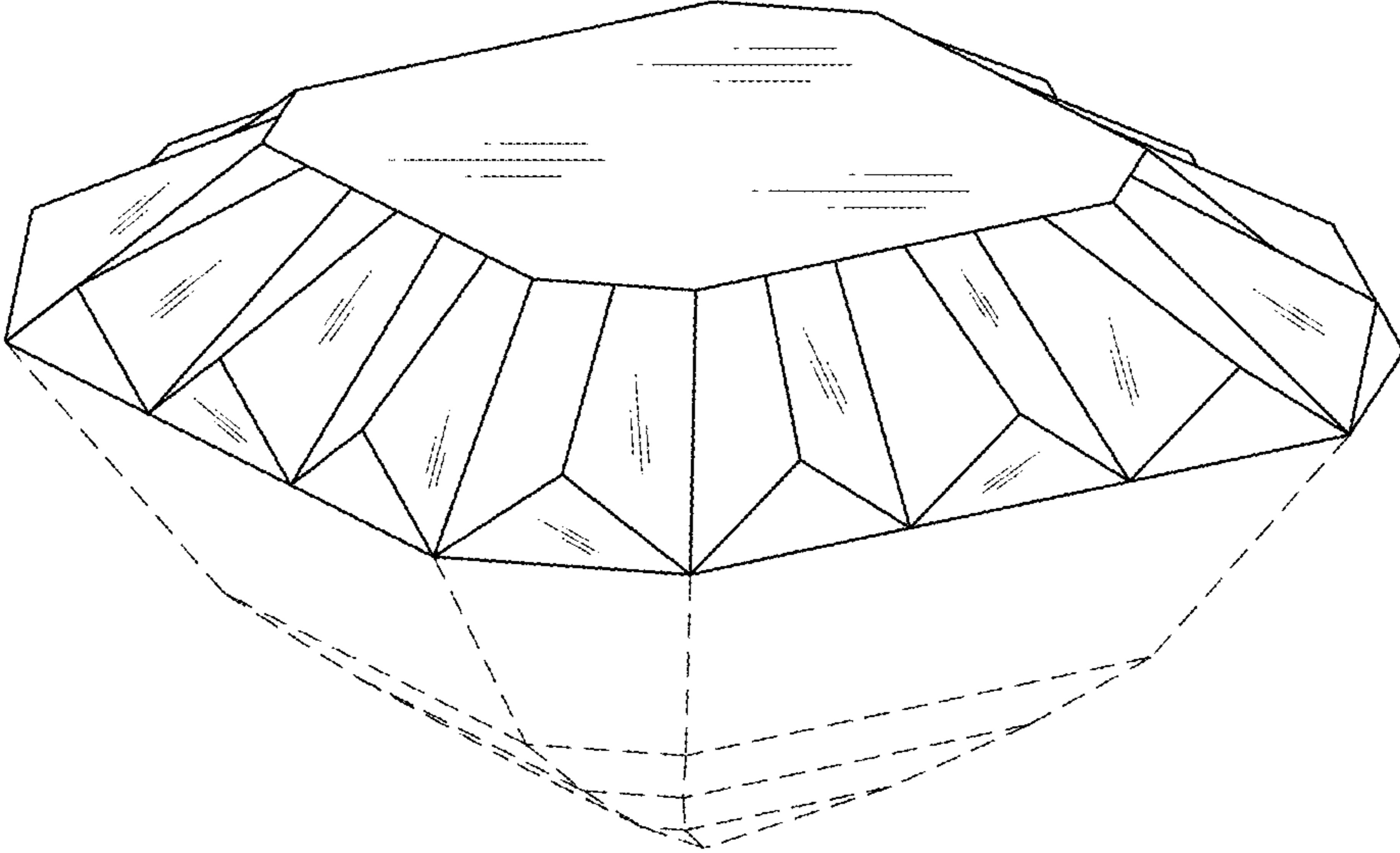


FIG. 1

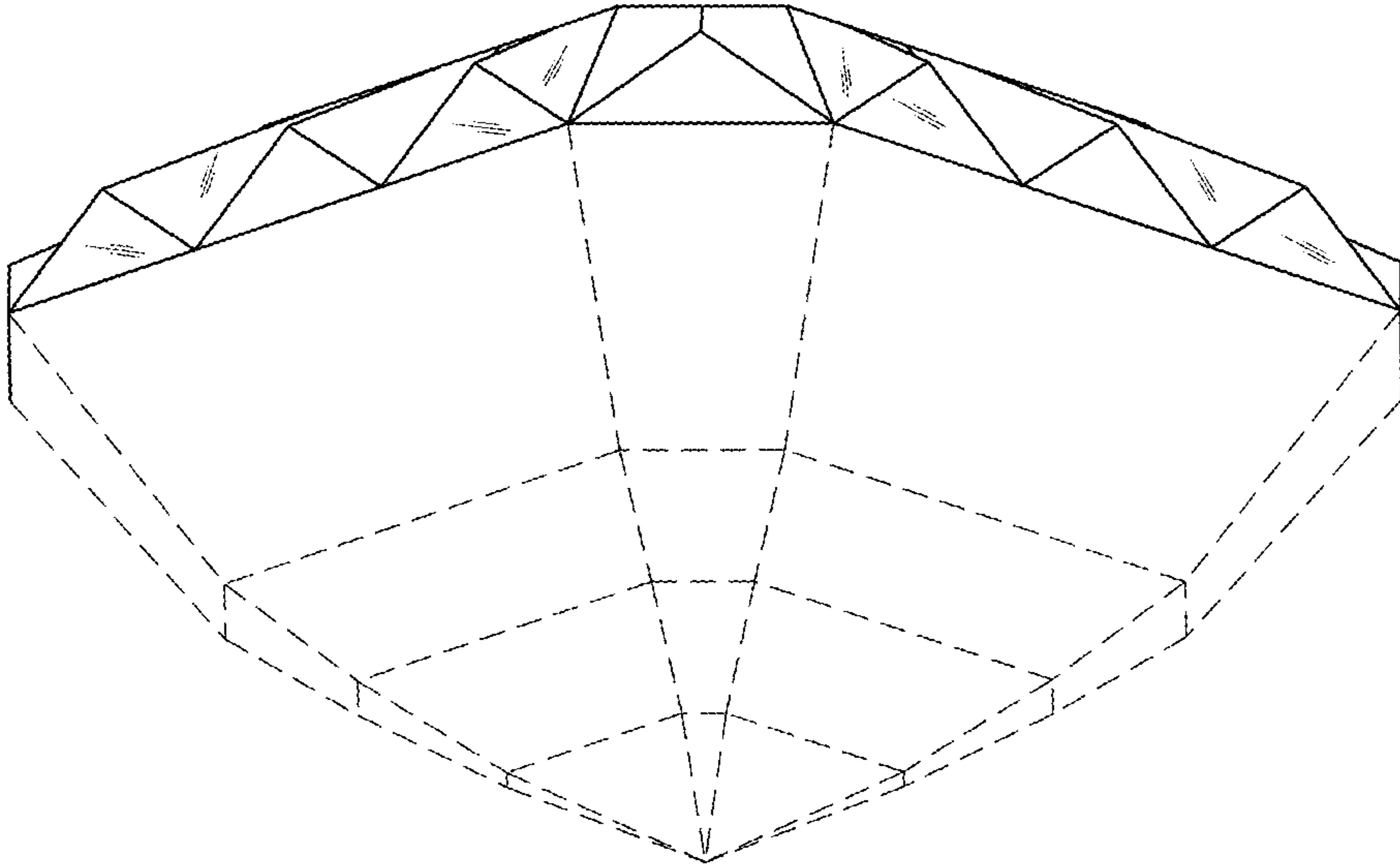


FIG. 2

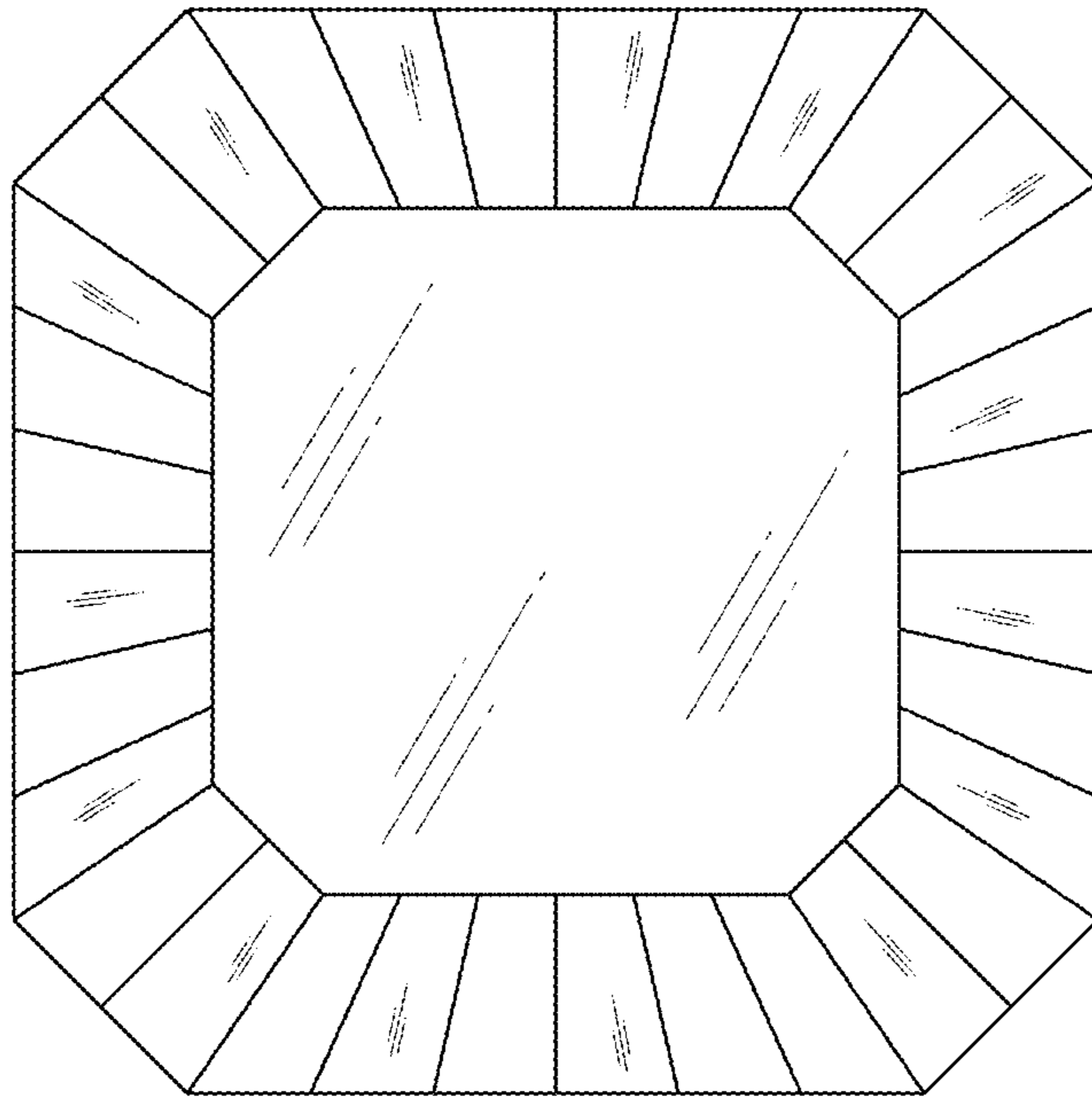


FIG. 3

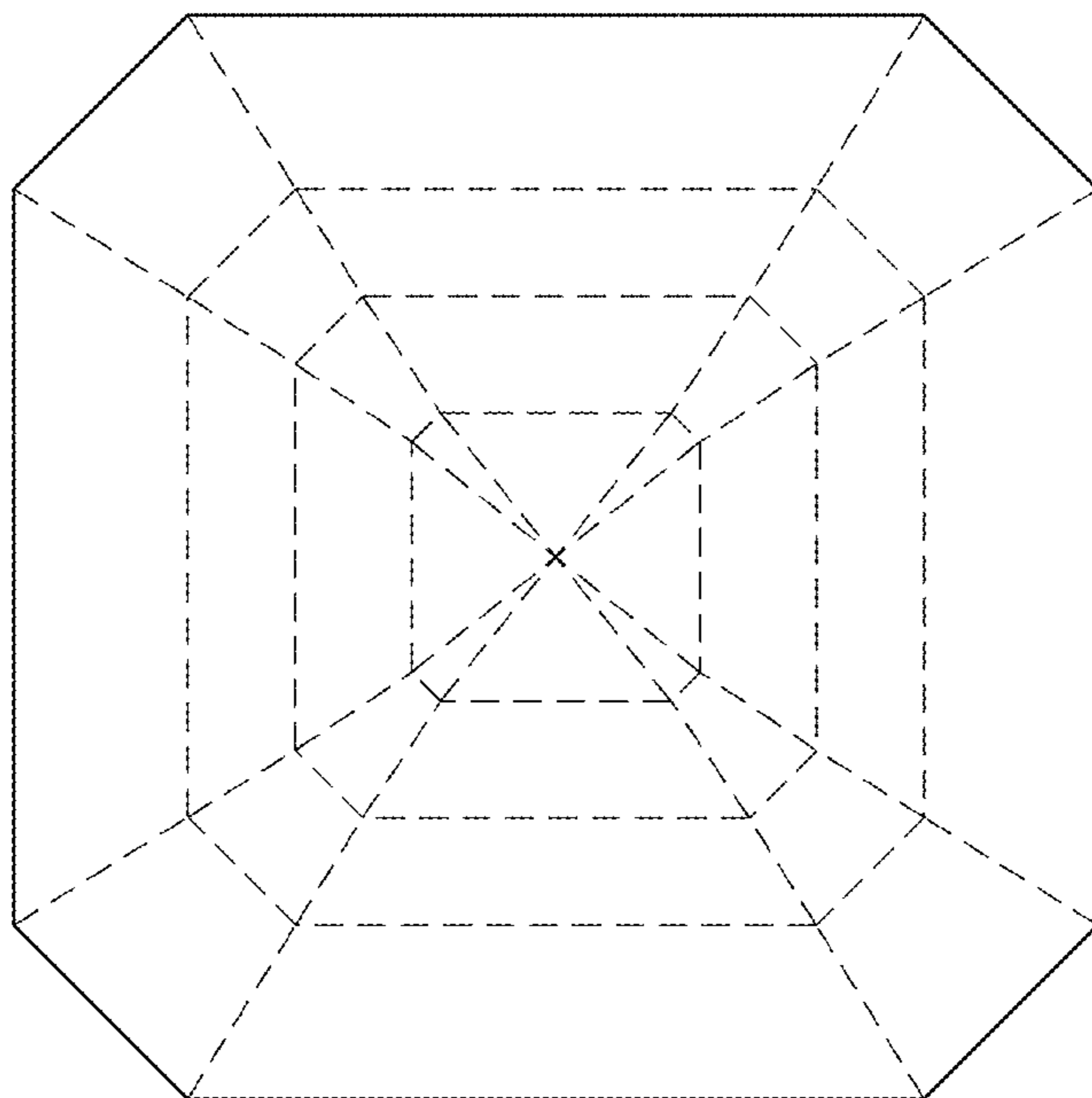


FIG. 4

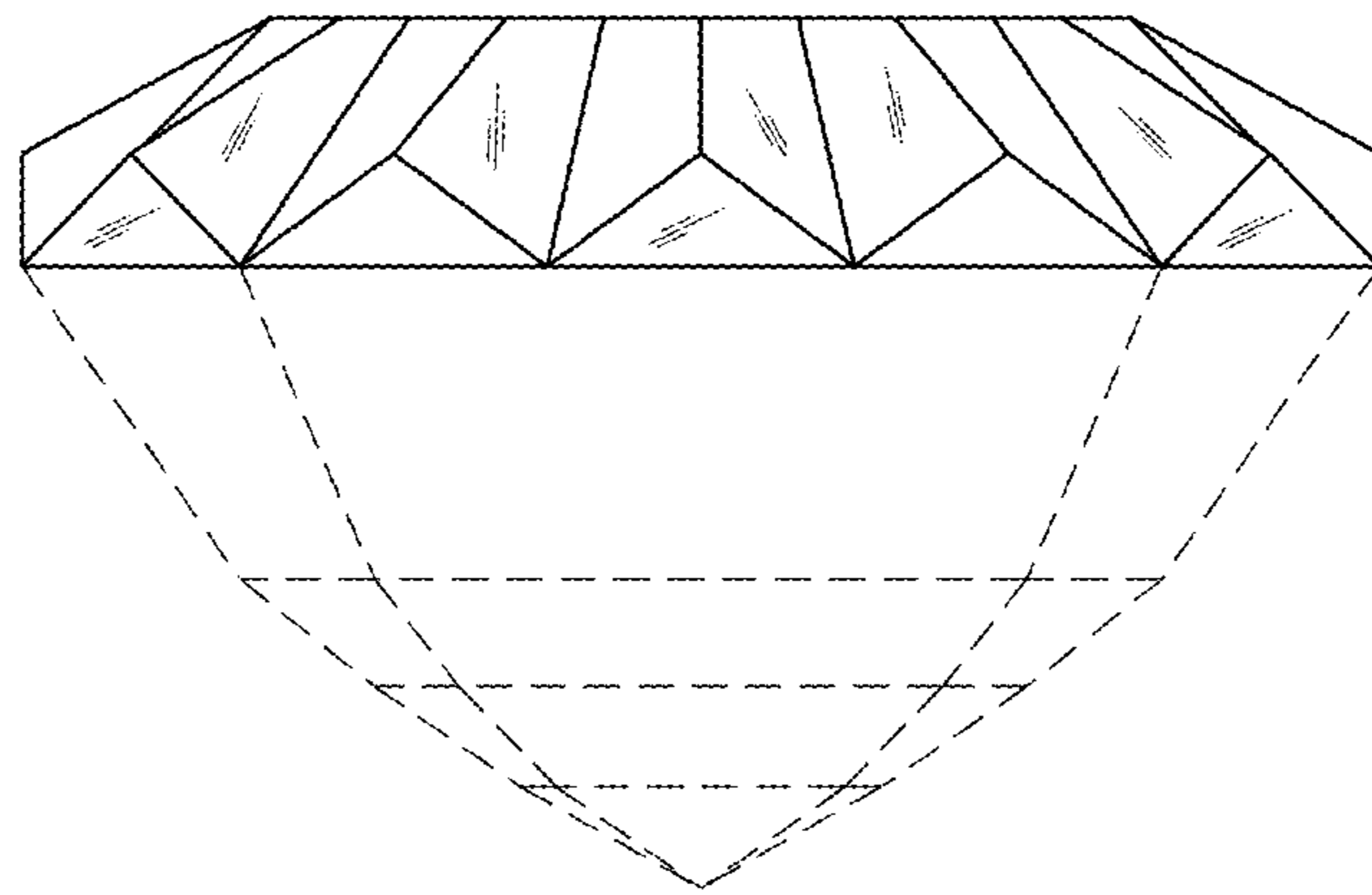


FIG. 5

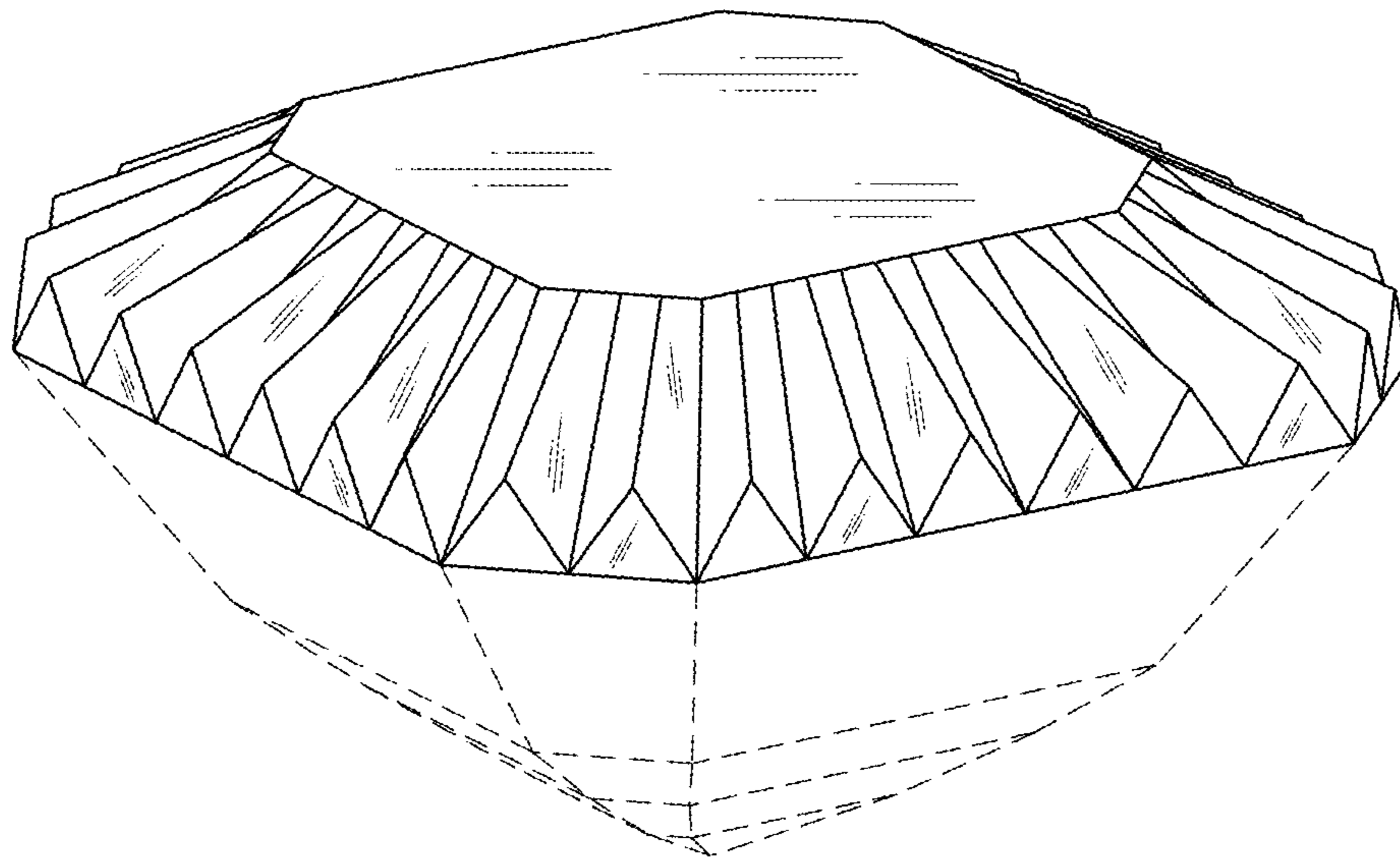


FIG. 6

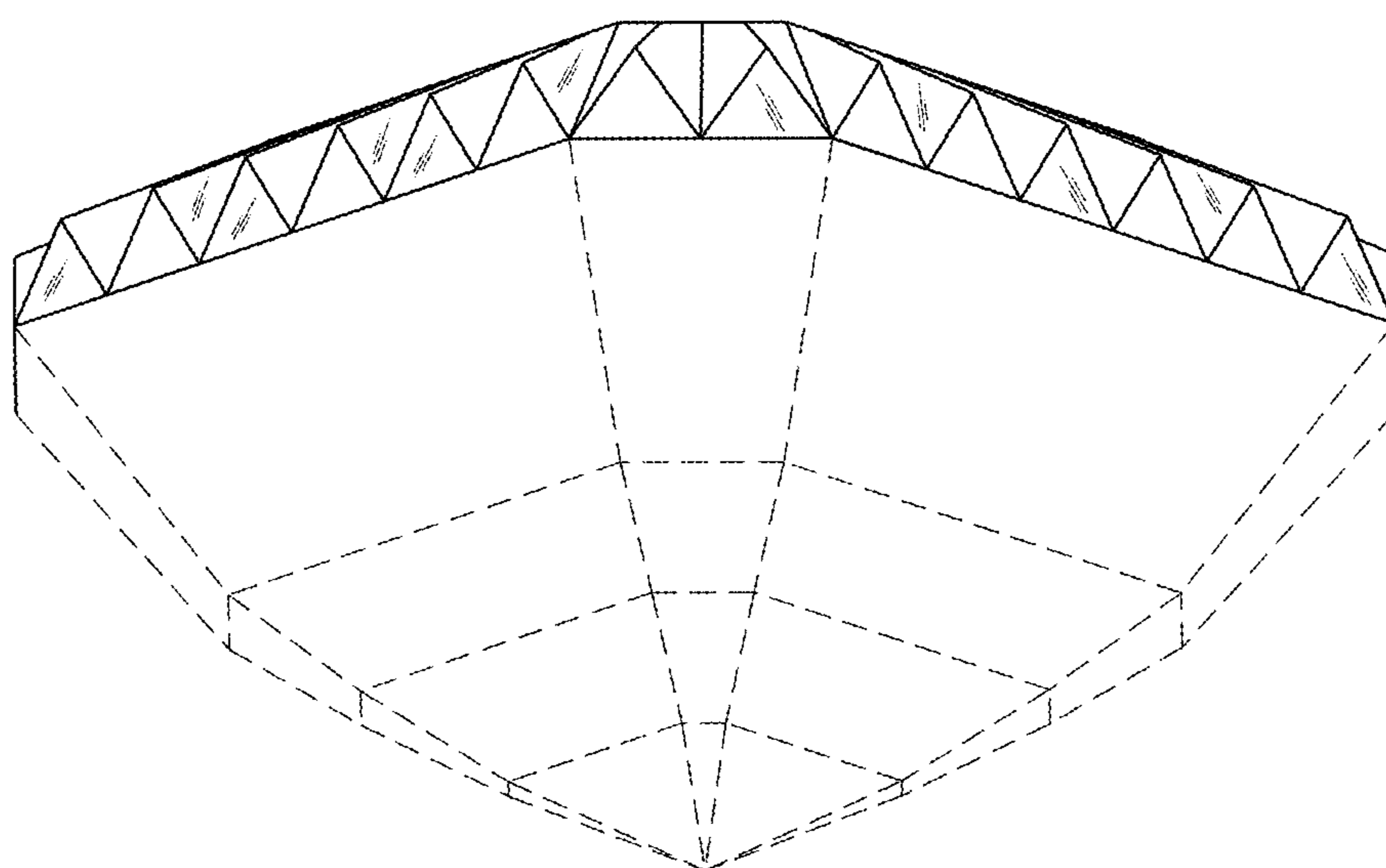


FIG. 7

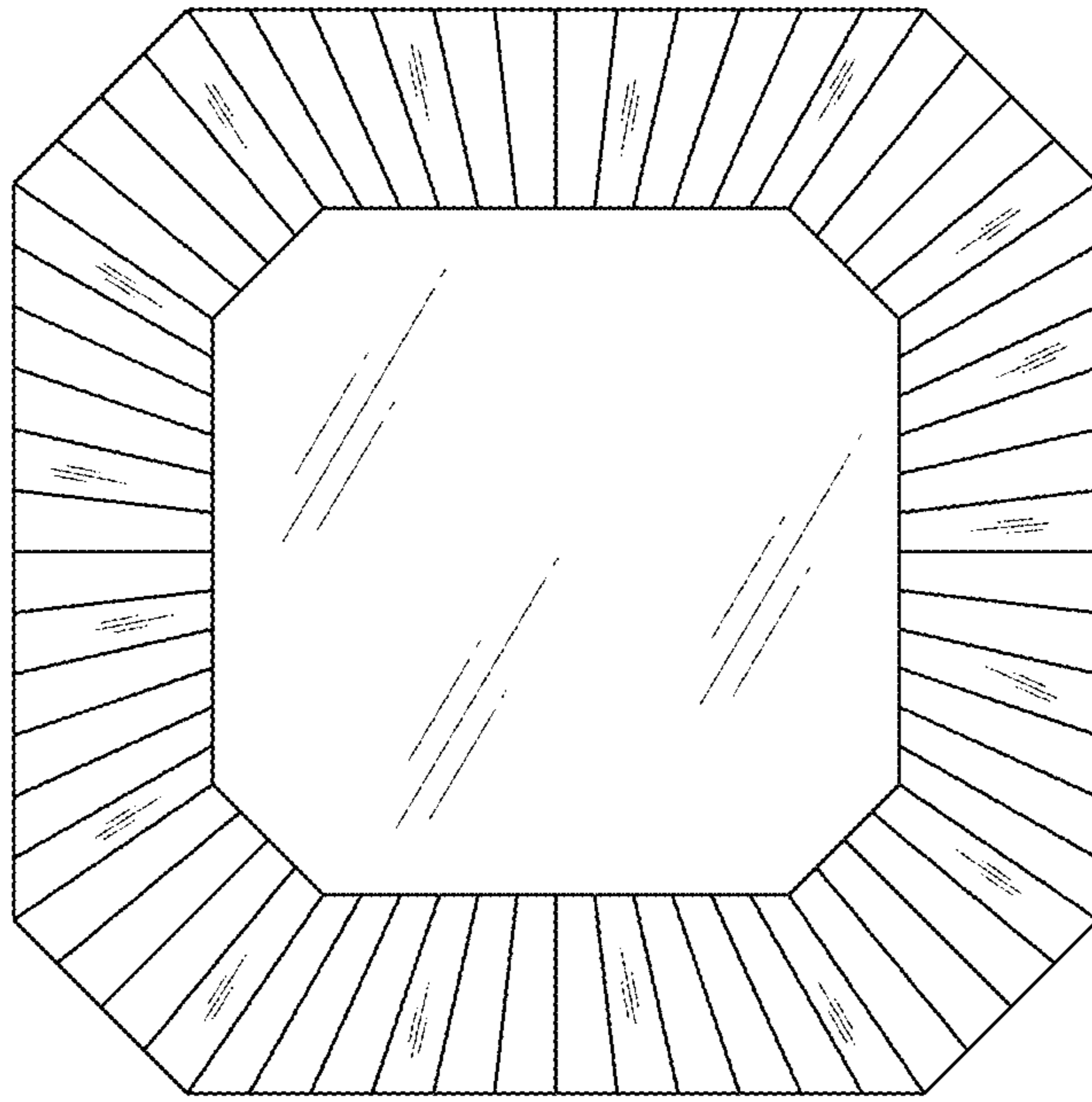


FIG. 8

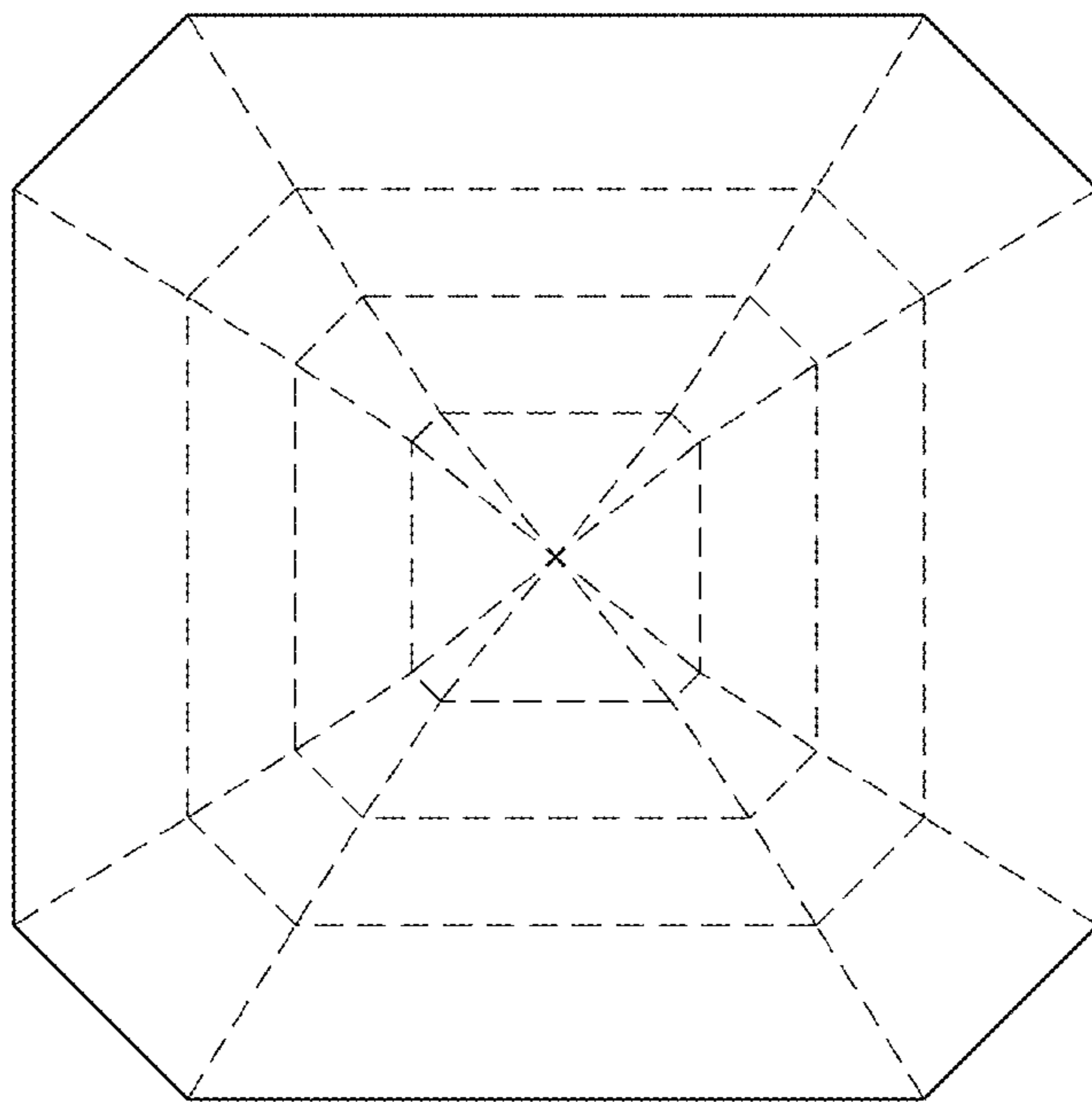


FIG. 9

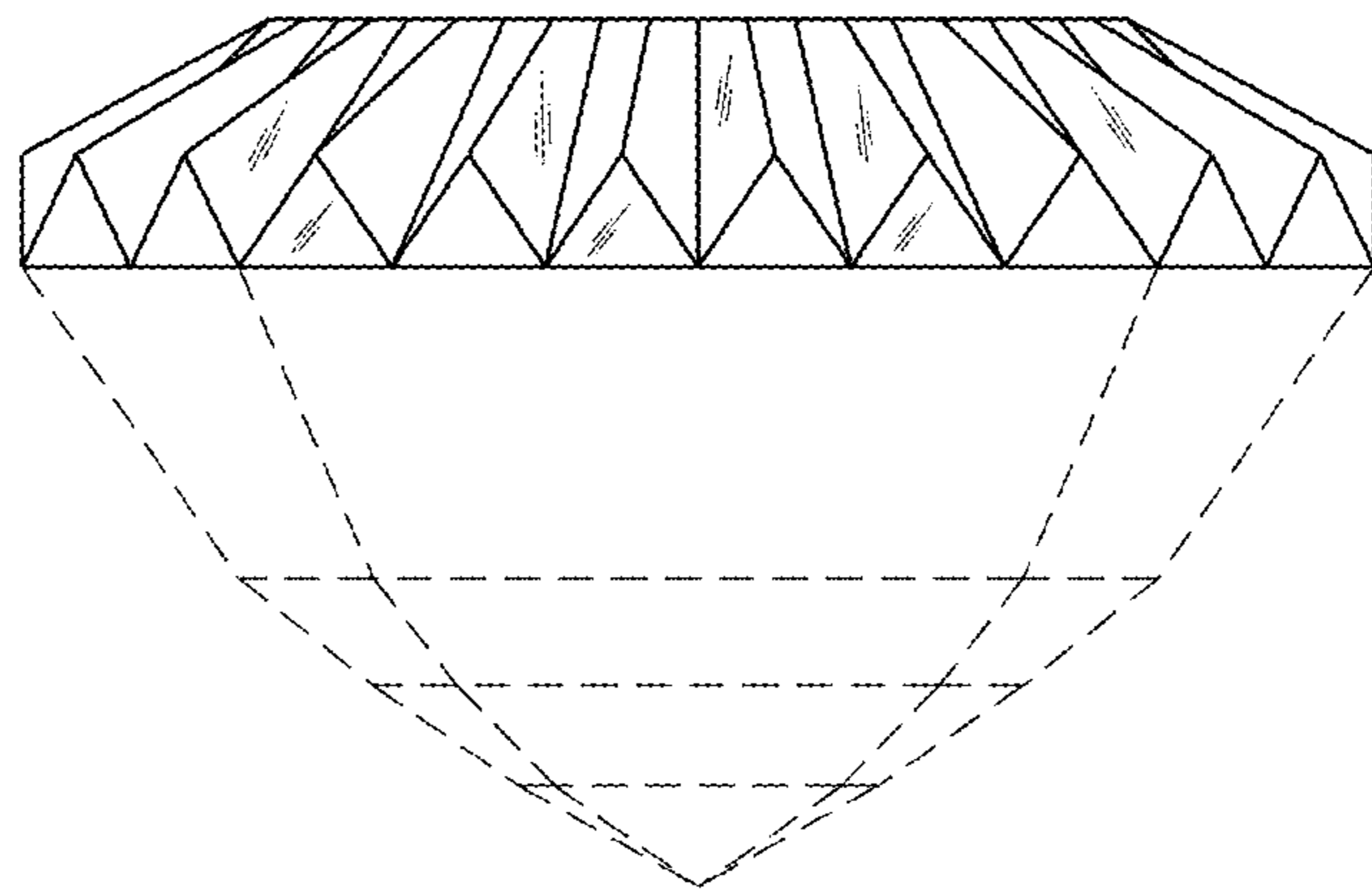


FIG. 10