



US00D952508S

(12) **United States Design Patent** (10) **Patent No.:** **US D952,508 S**
Shimansky (45) **Date of Patent:** **** *May 24, 2022**

(54) **GEMSTONE**
(71) Applicant: **Yair Shimansky**, Tenafly, NJ (US)
(72) Inventor: **Yair Shimansky**, Tenafly, NJ (US)

(*) Notice: This patent is subject to a terminal disclaimer.

(**) Term: **15 Years**

(21) Appl. No.: **29/710,163**

(22) Filed: **Oct. 21, 2019**

(30) **Foreign Application Priority Data**

Sep. 19, 2019 (ZA) A2019/01393

(51) **LOC (13) Cl.** **11-01**

(52) **U.S. Cl.**
USPC **D11/90**

(58) **Field of Classification Search**
USPC D11/1, 16, 26-29, 34, 35, 36, 86, 89-92;
D26/154

CPC A44C 17/00; A44C 17/001; A44C 17/002;
A44C 17/003; A44C 17/005; A44C
17/006; A44C 17/007; A44C 17/008

See application file for complete search history.

(56) **References Cited**

U.S. PATENT DOCUMENTS

D338,851 S *	8/1993	D'Haene	D11/89
D469,035 S *	1/2003	Yuan	D11/90
D490,741 S *	6/2004	Shimansky	D11/90
D496,516 S *	9/2004	Namdar	D11/90
D510,292 S *	10/2005	Sung	D11/90
D514,977 S *	2/2006	Mehta	D11/90
D624,844 S *	10/2010	So	D11/90
D633,818 S *	3/2011	So	D11/90
D643,770 S *	8/2011	Botha	D11/90
D644,142 S *	8/2011	Rydlwicz	D11/90
D688,971 S *	9/2013	Rydlwicz	D11/90
D785,494 S *	5/2017	Shimansky	D11/90

D934,732 S *	11/2021	Shimansky	D11/90
2003/0010058 A1 *	1/2003	Wueste	A44C 17/001 63/32
2009/0183525 A1 *	7/2009	Hasenfeld	A44C 17/001 63/32

(Continued)

FOREIGN PATENT DOCUMENTS

IL	33336	*	3/2002
IL	33337	*	3/2002

OTHER PUBLICATIONS

Facebook My Girl Diamond, Feb. 16, 2021, [online], [site visited Jun. 10, 2021]. Retrieved from url:https://www.facebook.com/ShimanskyNYC/photos/a.145830816065283/323848704930159/?type=3&theater (Year: 2019).*

(Continued)

Primary Examiner — Wendy L Arminio

Assistant Examiner — Tracey J Bell

(74) *Attorney, Agent, or Firm* — Foley Hoag LLP; Dana M. Gordon; Rajesh Vallabh

(57) **CLAIM**

The ornamental design for a gemstone, as shown and described.

DESCRIPTION

FIG. 1 is a first side view of a gemstone showing my new design;

FIG. 2 is a second side view thereof;

FIG. 3 is a third side view thereof;

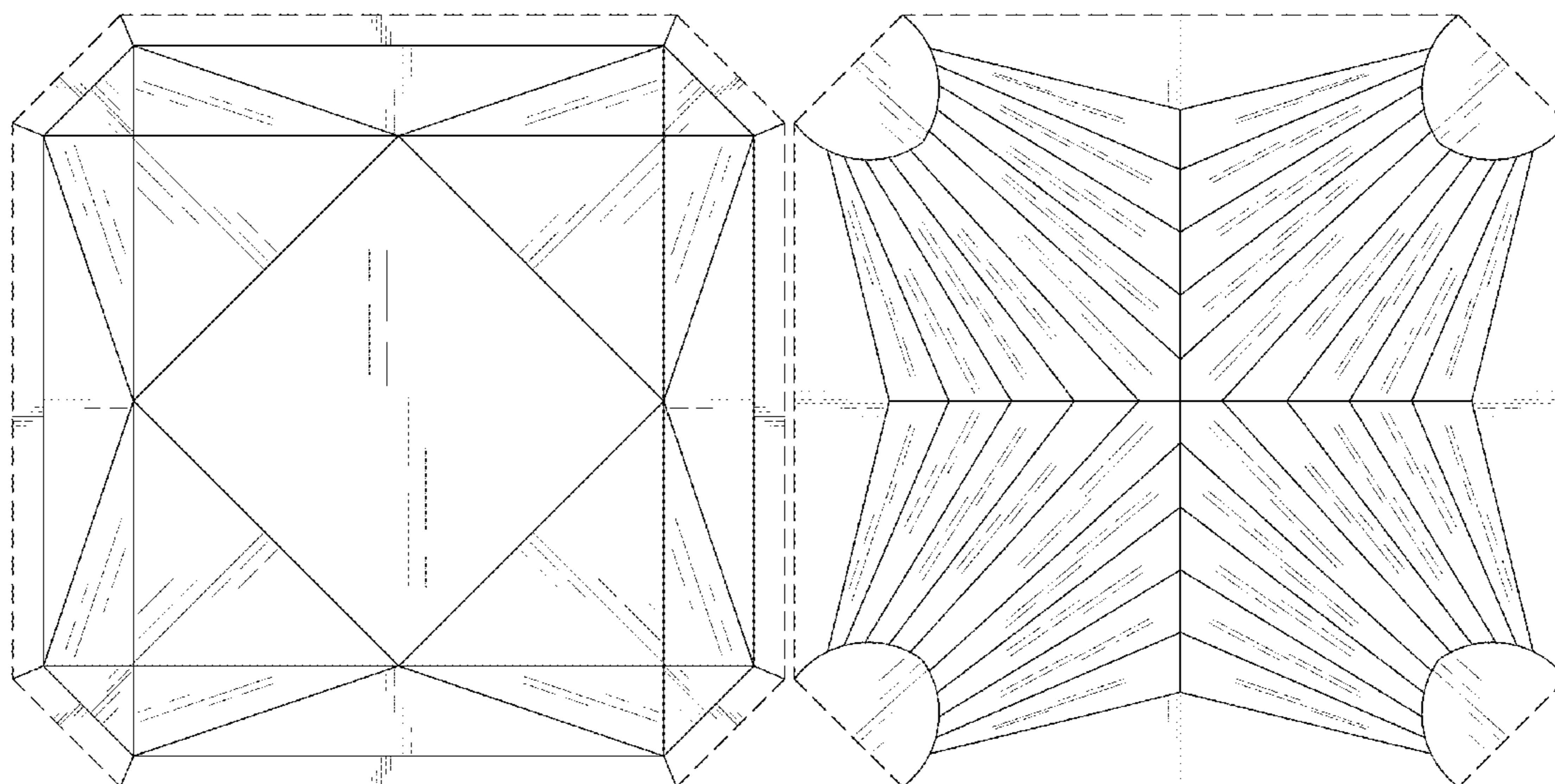
FIG. 4 is a fourth side view thereof;

FIG. 5 is a top view thereof; and,

FIG. 6 is a bottom view thereof.

The broken lines shown in the drawings depict unclaimed portions of the gemstone and form no part of the claimed design.

1 Claim, 6 Drawing Sheets



(56)

References Cited

U.S. PATENT DOCUMENTS

2013/0019636 A1* 1/2013 Rydlewicz A44C 17/001
63/32
2013/0291589 A1* 11/2013 Ritchie A44C 17/001
63/32
2016/0309860 A1* 10/2016 Ghassabian A44C 17/001

OTHER PUBLICATIONS

Shimansky Jewelry Diamond Shapes, as archived on Sep. 20, 2020, [online], [site visited Jun. 10, 2021]. Retrieved from url: <https://web.archive.org/web/20200919084009/https://shimansky.com/pages/diamond-shapes-and-cuts> (Year: 2020).*

* cited by examiner

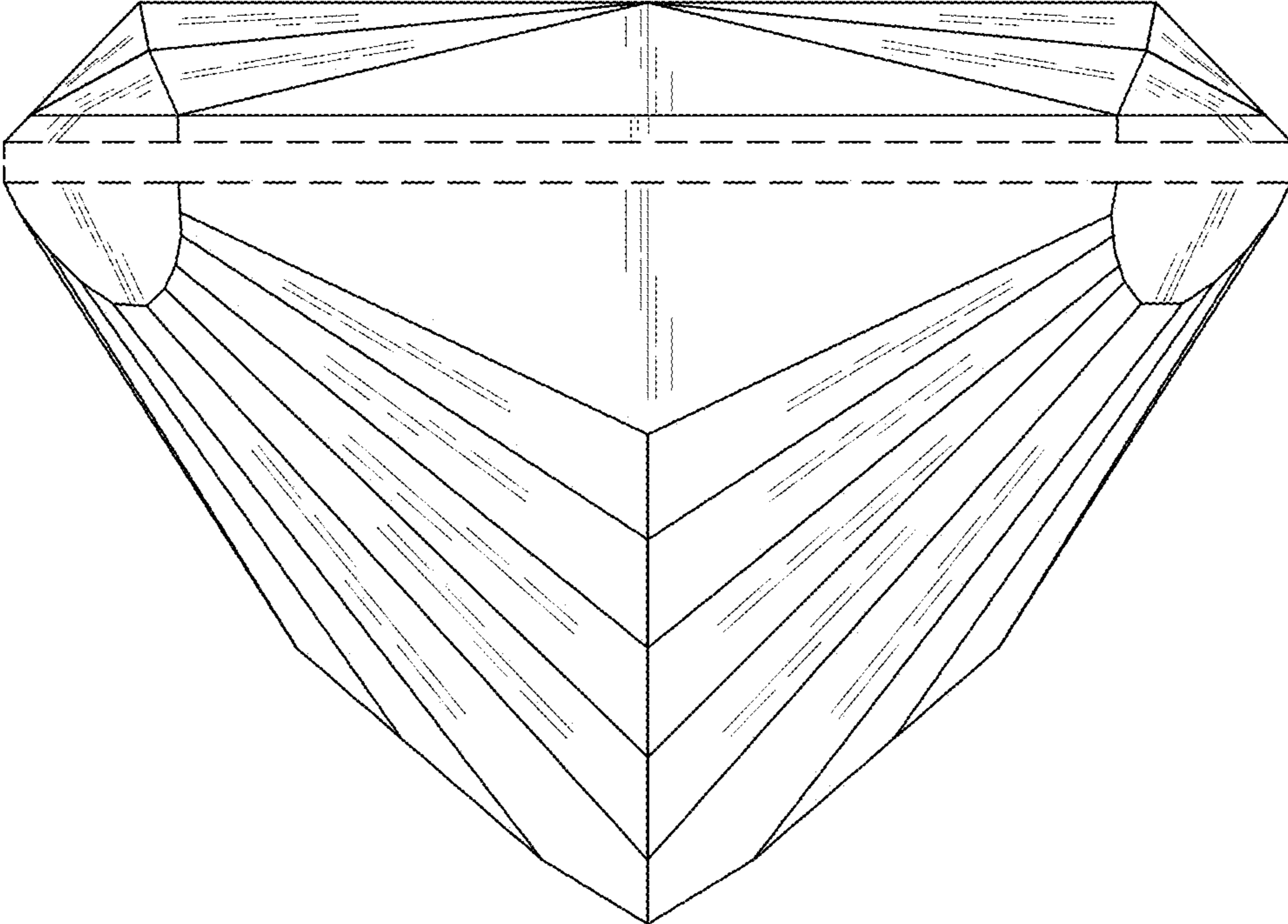


FIG. 1

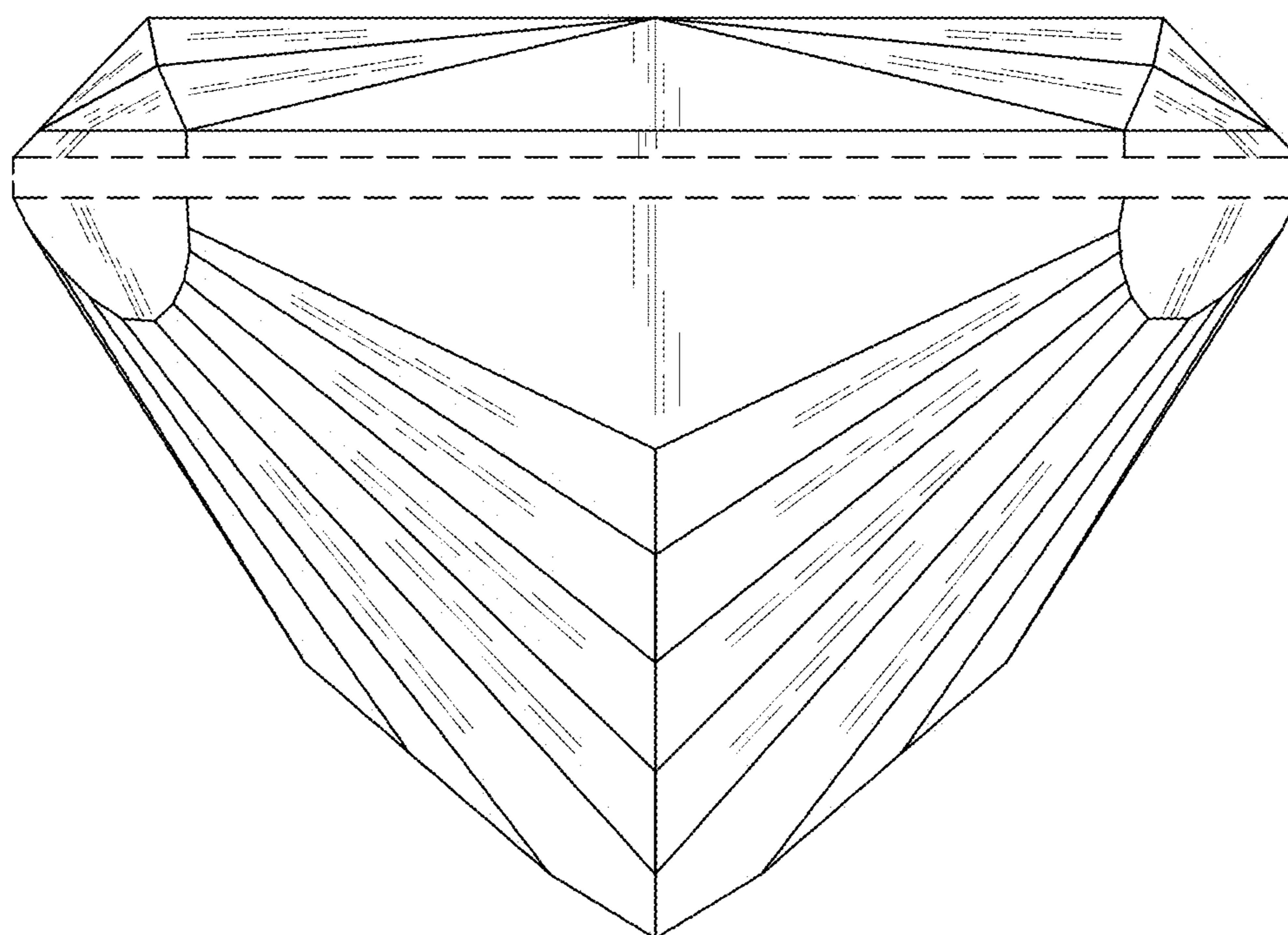


FIG. 2

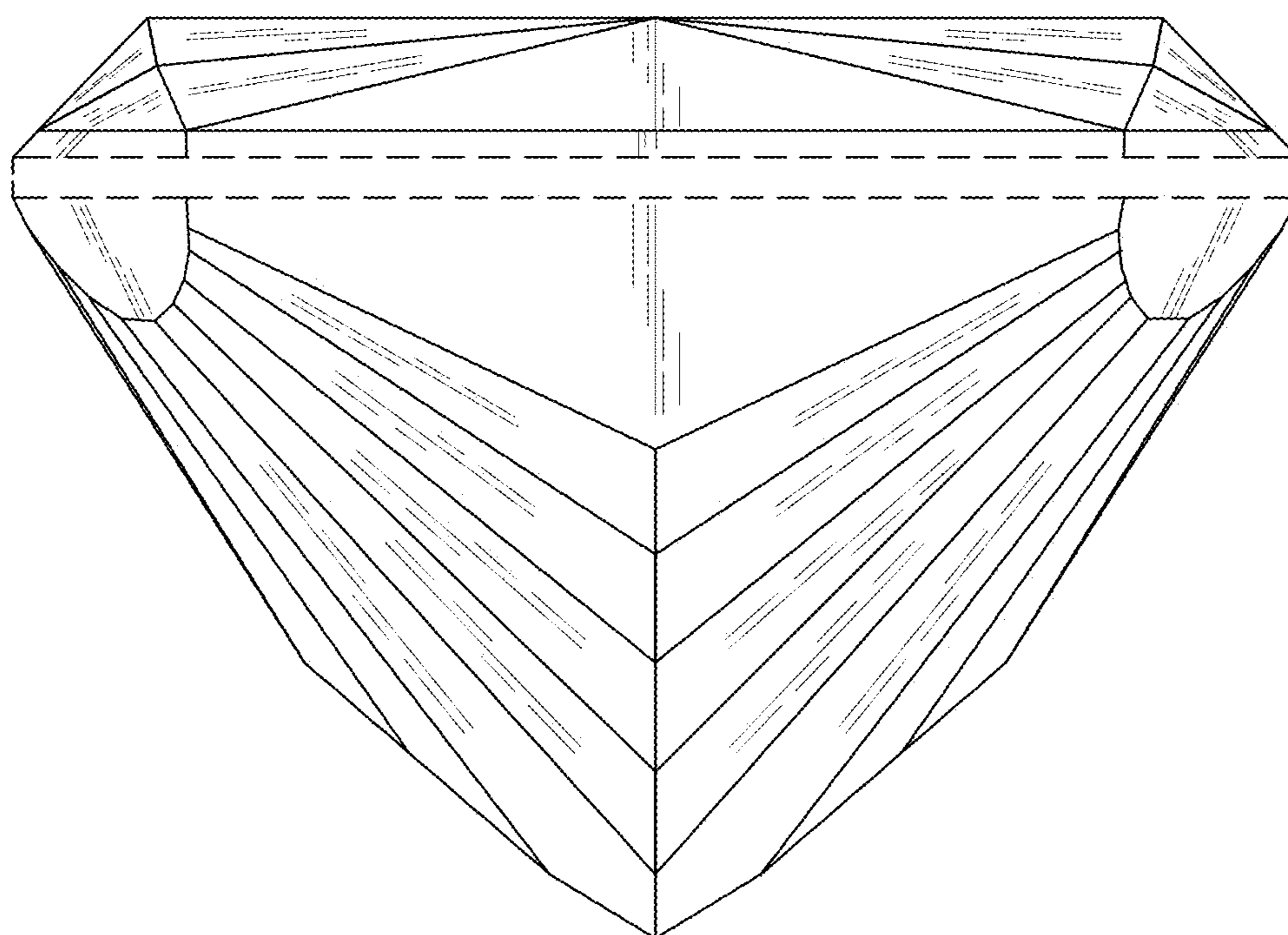


FIG. 3

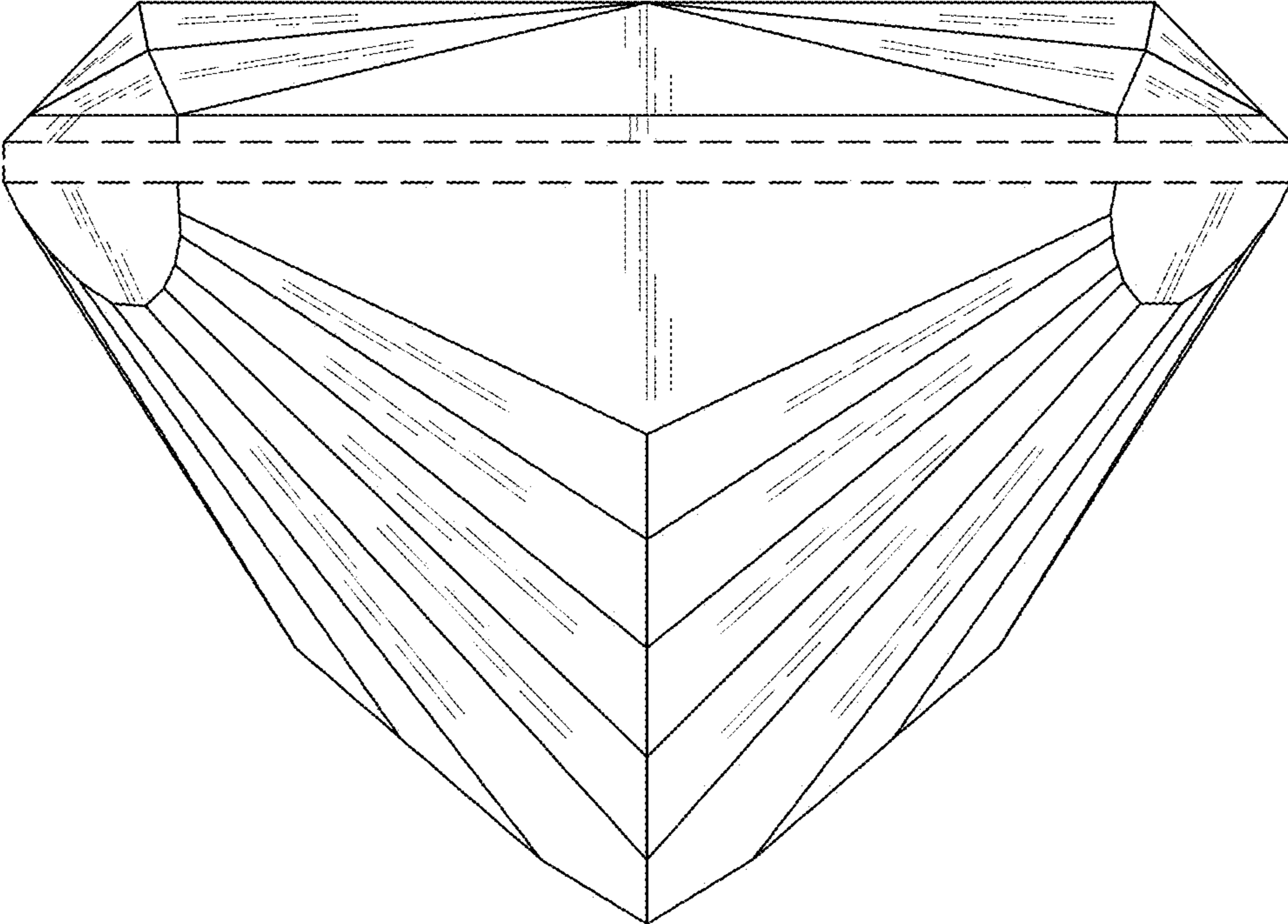


FIG. 4

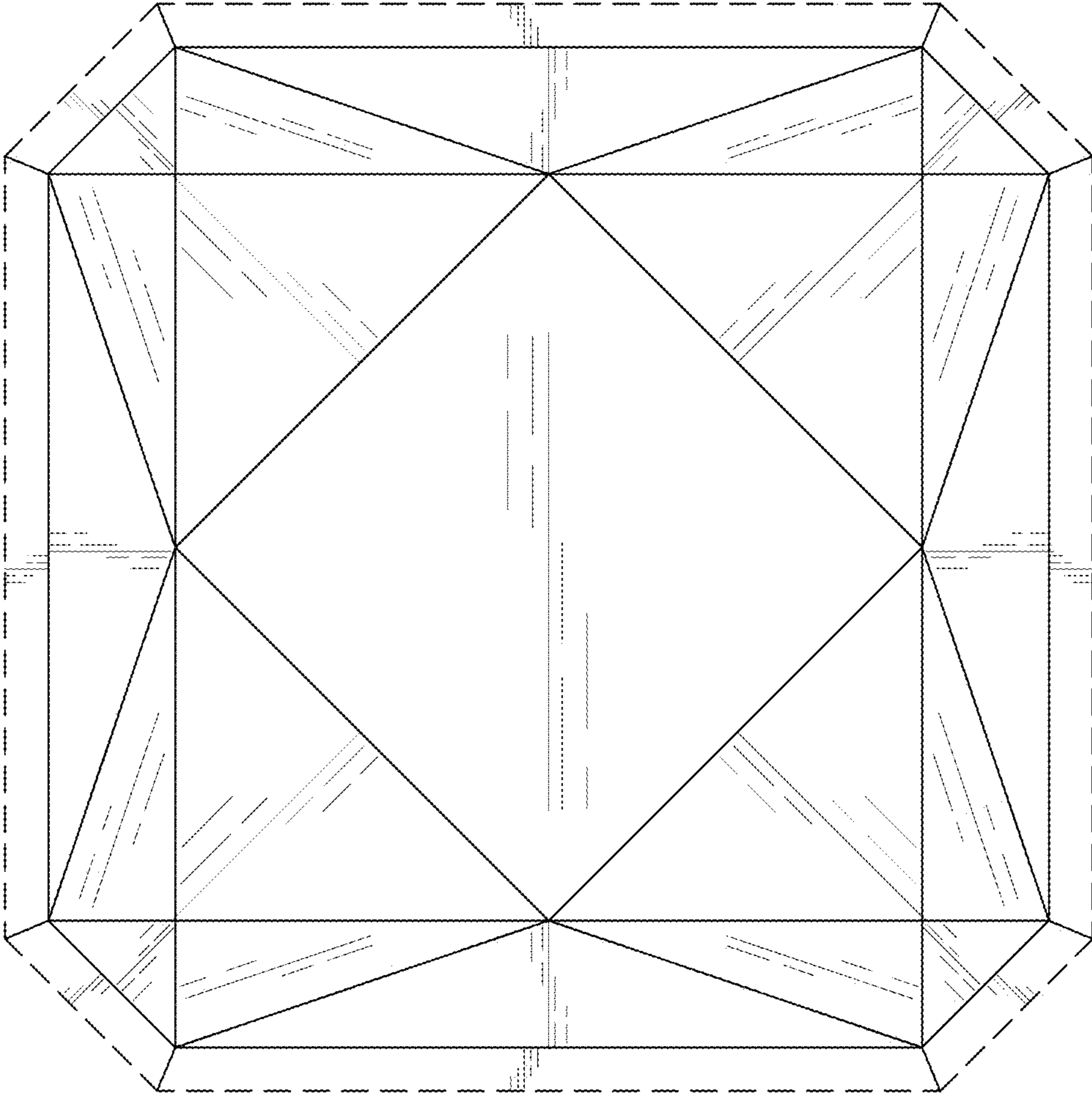


FIG. 5

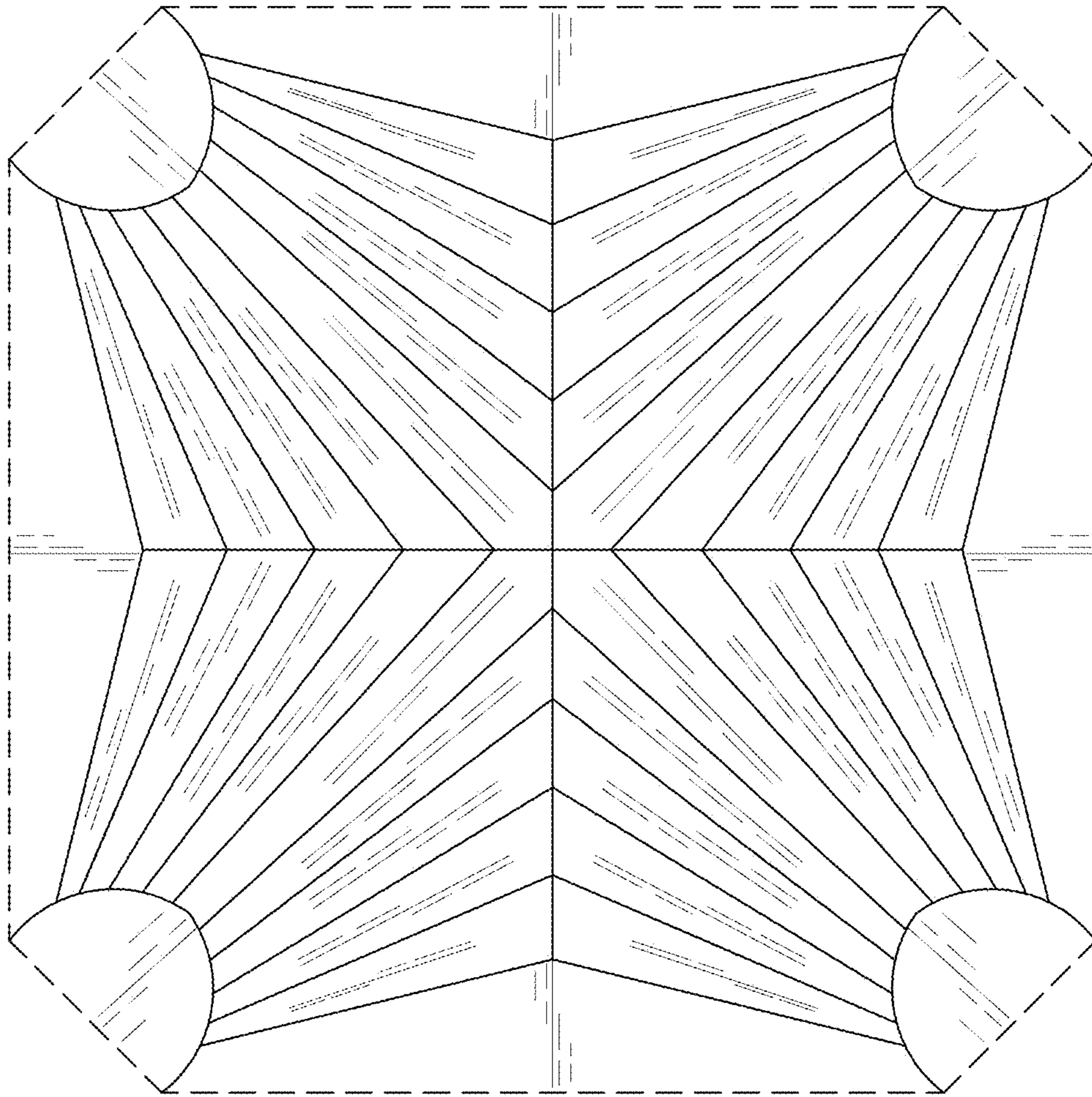


FIG. 6