



US00D952506S

(12) **United States Design Patent** (10) **Patent No.:** **US D952,506 S**  
**Sivriere** (45) **Date of Patent:** **\*\* May 24, 2022**

(54) **ARTICLE OF JEWELRY**  
(71) Applicant: **RICHEMONT INTERNATIONAL SA**, Villars-sur-Glâne (CH)

D588,488 S \* 3/2009 Ellia ..... D11/13  
D590,289 S \* 4/2009 Karpman ..... D11/7  
D631,374 S \* 1/2011 Hegi ..... D10/38  
(Continued)

(72) Inventor: **Stéphanie Sivriere**, Geneva (CH)  
(73) Assignee: **RICHEMONT INTERNATIONAL SA**, Villars-sur-Glâne (CH)

**FOREIGN PATENT DOCUMENTS**

CN 305522146 \* 12/2019  
CN 307093588 \* 2/2022  
WO D207322-006 \* 9/2020

(\*\*) Term: **15 Years**

**OTHER PUBLICATIONS**

(21) Appl. No.: **29/734,239**

Possession Pendant, available 2022, online, site visited Mar. 9, 2022. Available online, URL: <https://www.piaget.com/jewelry/possession/rose-gold-malachite-diamond-pendant-g33pd300> (Year: 2022).\*

(22) Filed: **May 11, 2020**

(Continued)

(30) **Foreign Application Priority Data**

Mar. 18, 2020 (WO) ..... WIPO93206

(51) **LOC (13) Cl.** ..... **11-01**

(52) **U.S. Cl.**  
USPC ..... **D11/79**

*Primary Examiner* — W. A. Teddy Falloway  
*Assistant Examiner* — Sarah J Ault  
(74) *Attorney, Agent, or Firm* — Oliff PLC

(58) **Field of Classification Search**  
USPC ..... D11/1-23, 43, 79, 93, 94, 24, 25  
CPC ..... A44C 5/00; A44C 5/0007; A44C 5/0069;  
A44C 5/0076; A44C 5/02; A44C 5/027;  
A44C 5/04; A44C 5/08

(57) **CLAIM**

The ornamental design for an article of jewelry, as shown and described.

See application file for complete search history.

**DESCRIPTION**

(56) **References Cited**

**U.S. PATENT DOCUMENTS**

1,059,536 A \* 4/1913 Gammelgaard ..... A44C 5/08  
63/26  
D97,535 S \* 11/1935 Mossman ..... D11/80  
D156,603 S \* 12/1949 Chernow ..... D11/18  
D169,677 S \* 5/1953 Katz ..... D11/79  
D172,032 S \* 4/1954 Katz ..... D11/18  
D178,242 S \* 7/1956 Katz ..... D11/18  
D247,846 S \* 5/1978 Kortick ..... D28/91.1  
5,979,184 A \* 11/1999 Razza ..... A44C 15/0045  
63/3  
D556,083 S \* 11/2007 Kothari ..... A44C 17/046  
D11/91

FIG. 1 is a front, right-side, top perspective view of the article of jewelry, showing the new design;  
FIG. 2 is a front elevational view thereof;  
FIG. 3 is a rear-elevational view thereof;  
FIG. 4 is a left-side elevational view thereof;  
FIG. 5 is a right-side elevational view thereof;  
FIG. 6 is a top plan view thereof;  
FIG. 7 is a bottom plan view thereof; and,  
FIG. 8 is a right-side elevational view showing an alternate state thereof.

The broken lines depict parts of the article of jewelry that form no part of the claimed design.

**1 Claim, 3 Drawing Sheets**



(56)

**References Cited**

U.S. PATENT DOCUMENTS

D631,780 S \* 2/2011 Levy ..... D11/87  
D633,085 S \* 2/2011 Chiu ..... D14/218  
D654,822 S \* 2/2012 Greppi ..... D11/86  
D695,643 S \* 12/2013 Wolff ..... D11/79  
D696,155 S \* 12/2013 Coratola ..... D11/221  
D712,298 S \* 9/2014 Taylor-Cattapan ..... D11/79  
D722,279 S \* 2/2015 Kirkham ..... D11/43  
D761,151 S \* 7/2016 Weems ..... D11/80  
9,756,909 B1 \* 9/2017 Bonner ..... A44C 25/001  
D896,683 S \* 9/2020 Subrin ..... D11/80  
D915,910 S \* 4/2021 Rowe ..... D10/39  
D927,345 S \* 8/2021 Sivriere ..... D11/43  
D927,346 S \* 8/2021 Sivriere ..... D11/43  
2019/0133267 A1 \* 5/2019 De Los Santos .... A44C 5/2014

OTHER PUBLICATIONS

Piaget's Possession Collection:Turn for the Extraordinary, available Feb. 5, 2021, online, site visited Mar. 9, 2022. Available online, URL: <https://luxferity.com/brand/piaget/news/piagets-possession-collection-turn-extraordinary> (Year: 2021).\*

\* cited by examiner



FIG. 1

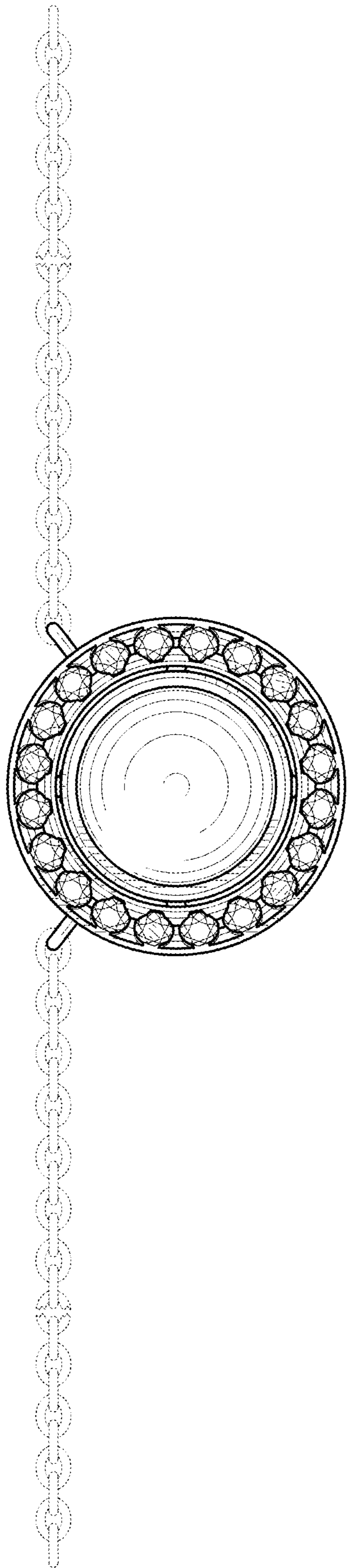


FIG. 2

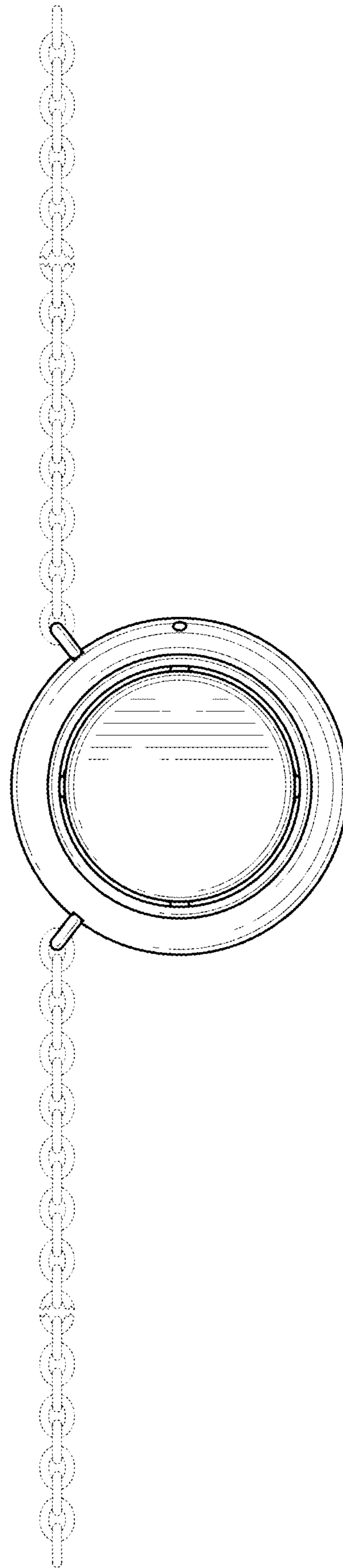


FIG. 3

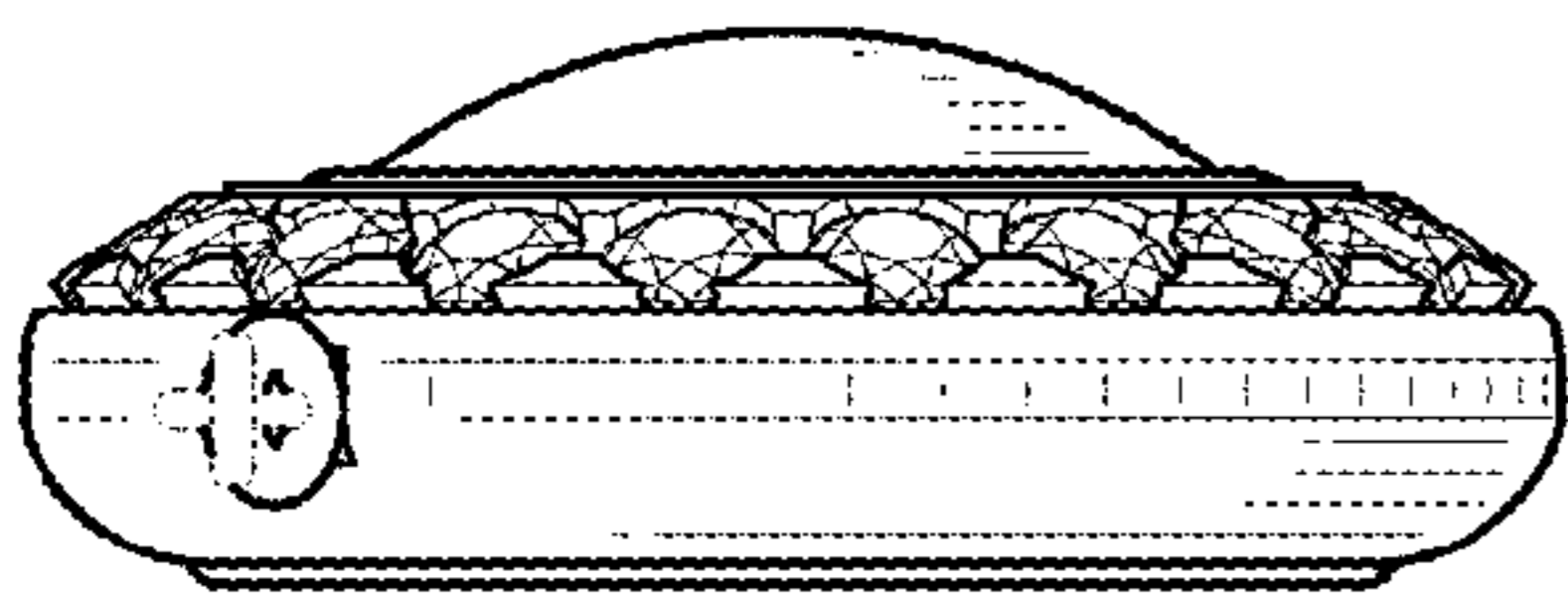


FIG. 4

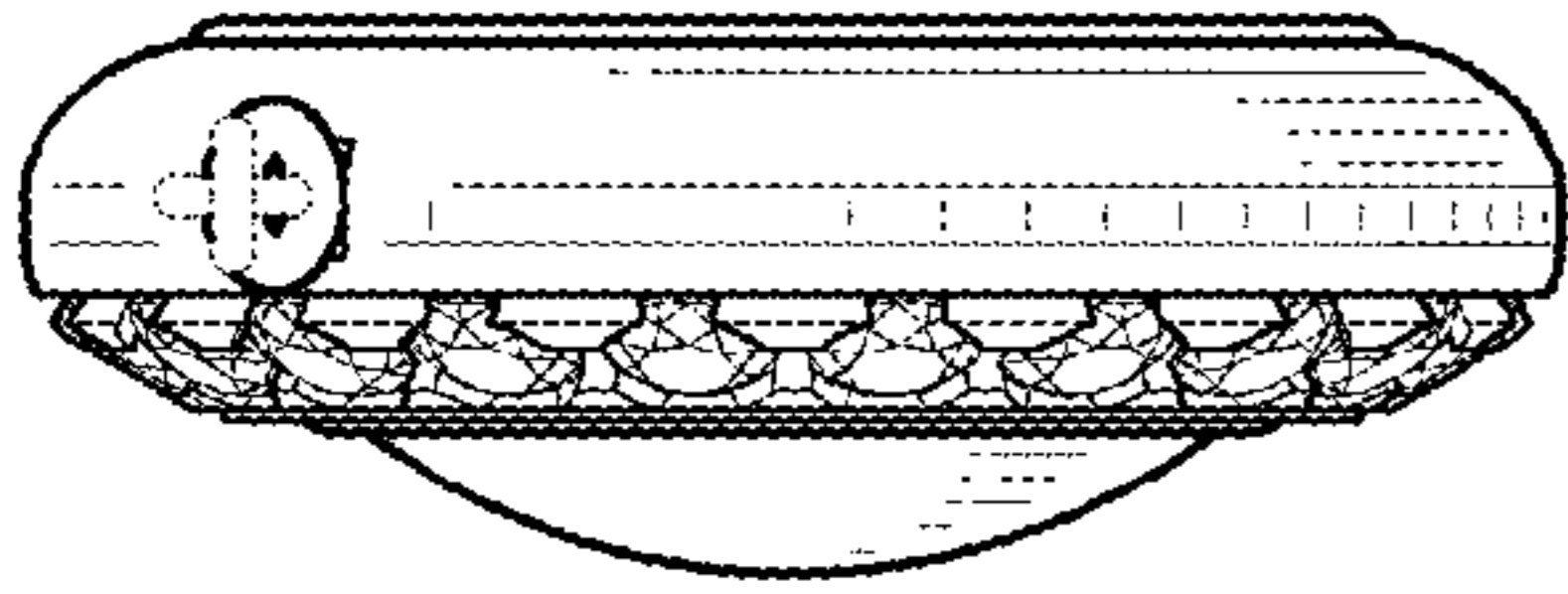


FIG. 5

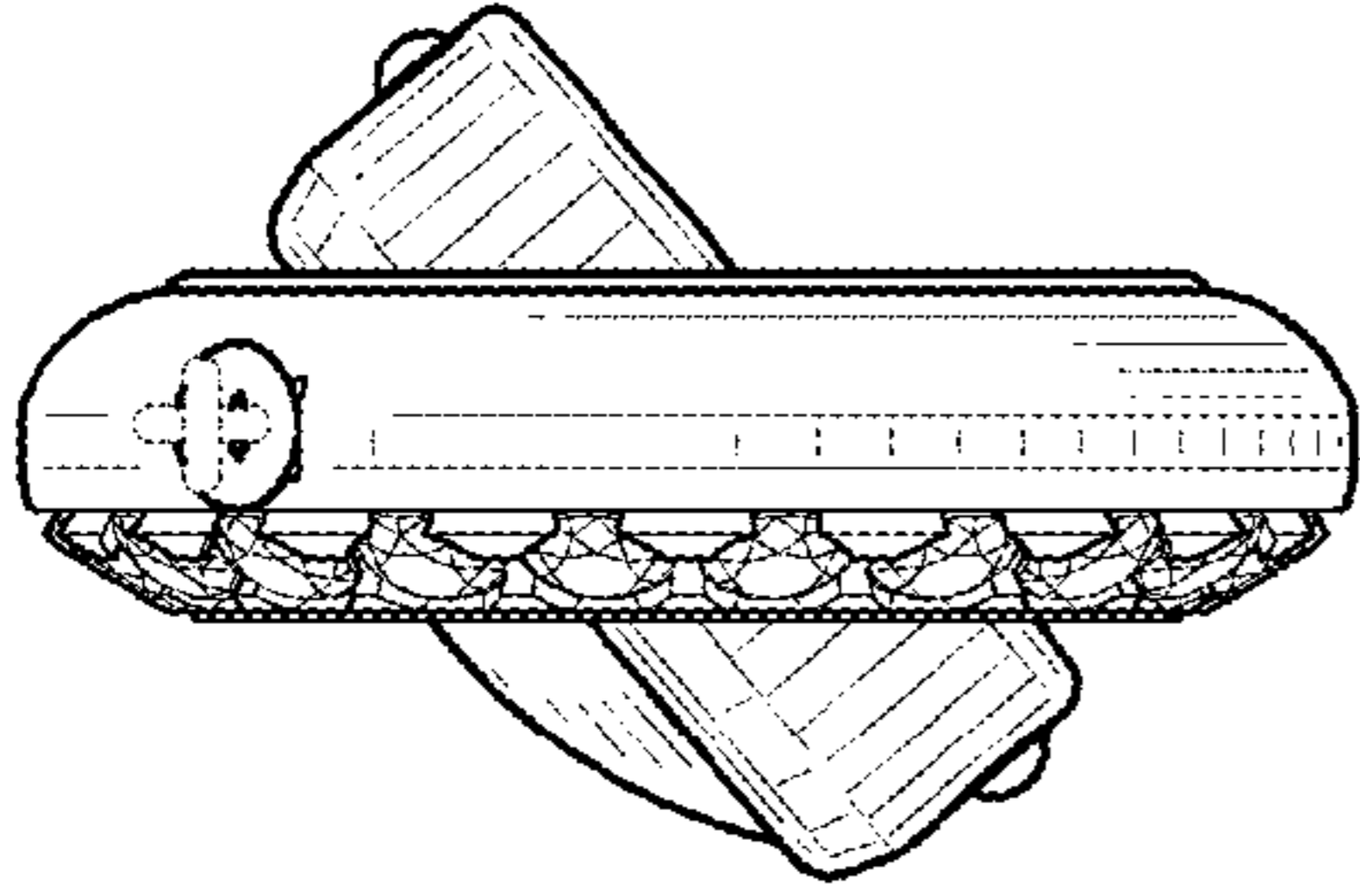


FIG. 8

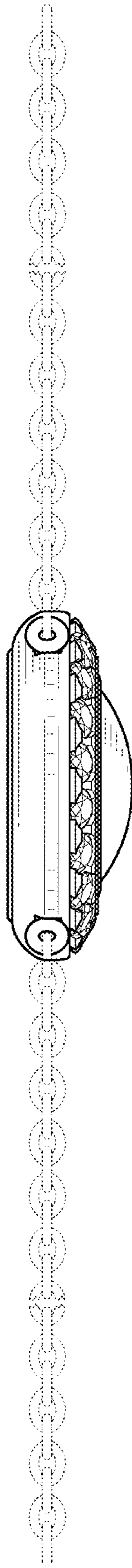


FIG. 6

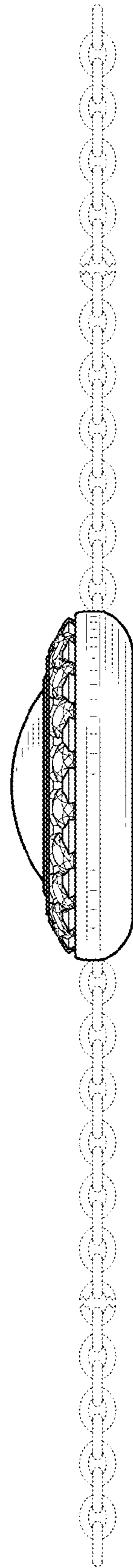


FIG. 7