



US00D952505S

(12) **United States Design Patent** (10) **Patent No.:** **US D952,505 S**
Spiers (45) **Date of Patent:** **** May 24, 2022**

(54) **ARTICLE OF JEWELRY**
(71) Applicant: **Jon Spiers**, Houston, TX (US)
(72) Inventor: **Jon Spiers**, Houston, TX (US)
(**) Term: **15 Years**
(21) Appl. No.: **29/718,299**
(22) Filed: **Dec. 23, 2019**
(51) **LOC (13) Cl.** **11-01**
(52) **U.S. Cl.**
USPC **D11/70**
(58) **Field of Classification Search**
USPC D11/1, 3, 6, 7, 8, 16, 17, 40, 42, 43, 44,
D11/46, 47, 48, 53, 63, 67, 70, 72, 75,
D11/76, 79, 81, 83, 84, 86, 97, 108, 112,
D11/101, 102, 115, 116, 178, 124, 125,
D11/222, 229, 223, 213, 78; D3/211
CPC A44C 1/00; A44C 5/00; A44C 5/02; A44C
5/10; A44C 5/102; A44C 5/105; A44C
5/18; A44C 7/00; A44C 7/002; A44C
7/003; A44C 7/004; A44C 7/005; A44C
7/006; A44C 7/007; A44C 7/008; A44C
11/00; A44C 11/002; A44C 11/007; A44C
15/0025; A44C 15/004; A44C 15/005;
A44C 15/0055; A44C 25/00; A44C
25/001; A44C 25/005; A44C 25/007;
A44C 25/008

See application file for complete search history.

(56) **References Cited**

U.S. PATENT DOCUMENTS

D53,738 S * 8/1919 Hoffbauer D11/70
D55,069 S * 5/1920 McKee D11/178
1,512,565 A * 10/1924 Ross A44B 1/24
123/169 EL
D113,244 S * 2/1939 Tomlinson D11/178
D134,251 S * 11/1942 Morrison D11/178

D135,666 S * 5/1943 Spilka D11/70
3,100,608 A * 8/1963 Goldfarb A45F 5/02
D11/201
D261,872 S * 11/1981 Fletcher D11/70
D271,678 S * 12/1983 Morrison D11/173
D278,419 S * 4/1985 Hill D11/117
D377,919 S * 2/1997 Singer D11/222
D418,080 S * 12/1999 Oak D11/40
D535,097 S * 1/2007 Thomson A63G 17/00
D3/243
D705,693 S * 5/2014 Thompson D11/41
D713,755 S * 9/2014 Thompson D11/43
D714,181 S * 9/2014 Thompson D11/43
D761,158 S * 7/2016 Riviere D11/222

(Continued)

OTHER PUBLICATIONS

Zazzle Texas Star Gold Finish, no date available, [online], [site visited Dec. 18, 2021]. Retrieved from url:https://www.zazzle.com/texas_star_gold_finish_lapel_pin-256058176593875798 (Year: 2021).*

(Continued)

Primary Examiner — Tracey J Bell
(74) *Attorney, Agent, or Firm* — Whittaker Law Firm;
Malcolm E. Whittaker

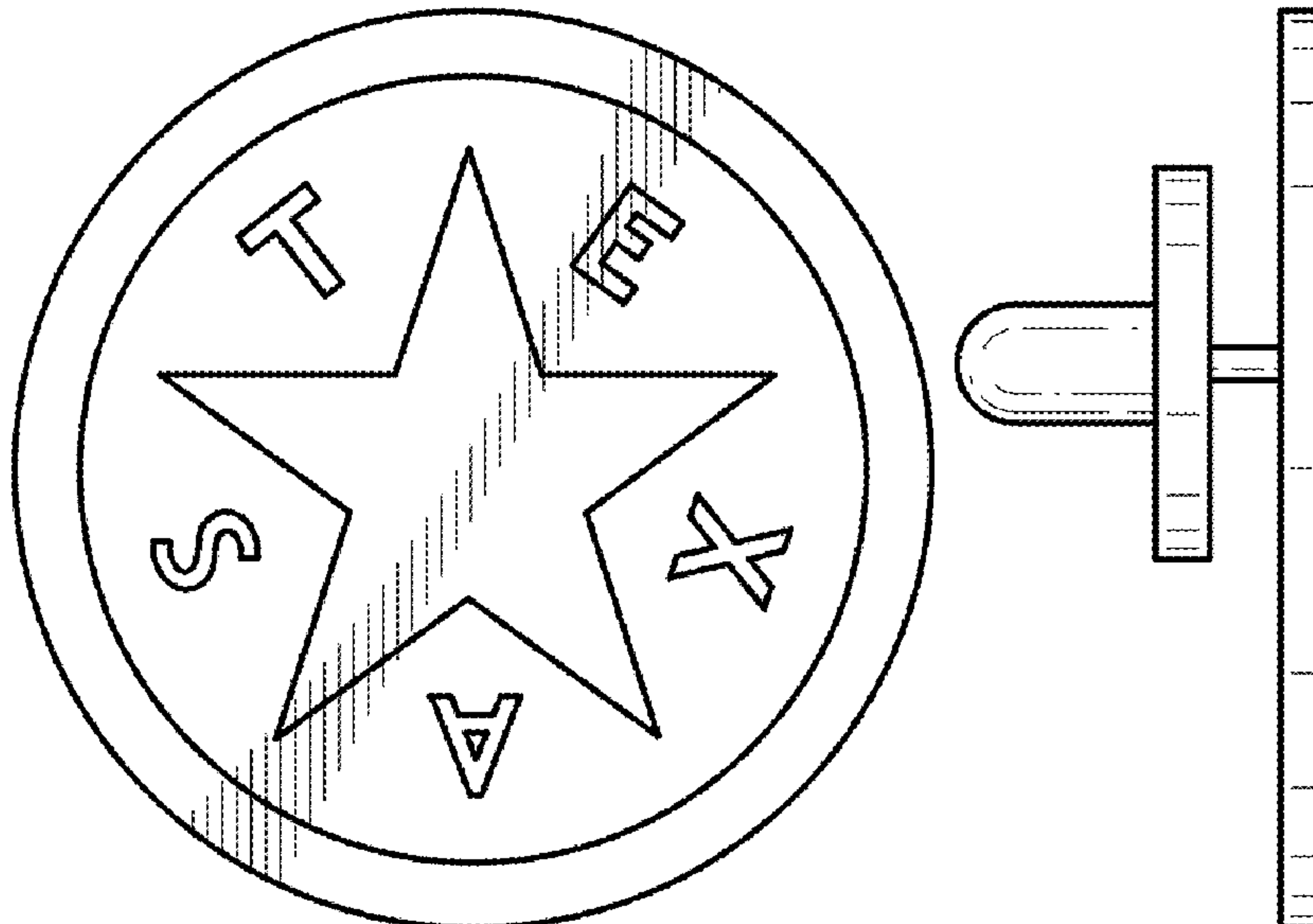
(57) **CLAIM**

The ornamental design for an article of jewelry, as shown and described.

DESCRIPTION

FIG. 1 is a front perspective view of an article of jewelry. FIG. 2 is a front side view of the article of jewelry. FIG. 3 is a top side view of the article of jewelry. The bottom view of the article of jewelry is a mirror image of FIG. 3. FIG. 4 is a left side view of the article of jewelry. The right side view of the article of jewelry is a mirror image of FIG. 4; and, FIG. 5 is a back side view of the article of jewelry.

1 Claim, 2 Drawing Sheets



(56)

References Cited

U.S. PATENT DOCUMENTS

D768,538 S * 10/2016 Chen D11/222
D792,282 S * 7/2017 Zander D11/223
D921,526 S * 6/2021 Krauss D11/100
2020/0094154 A1* 3/2020 Howard A63G 17/00

OTHER PUBLICATIONS

Texas de Zavala Flag Pen Pinback Button Zazzle, Jan. 24, 2013, [online], [site visited Dec. 18, 2021]. Retrieved from url: https://www.zazzle.com/texas_de_zavala_flag_pen_pinback_button-145440464540717831 (Year: 2013).*

Texas Uniques, no date available, [online], [site visited Dec. 18, 2021]. Retrieved from url: <https://www.texasuniques.com/lorenzo-de-zavala-flag-of-1836-ear-stud/> (Year: 2021).*

Wikimedia Commons File De Zavala Flag, Jul. 15, 2011, [online], [site visited Dec. 18, 2021]. Retrieved from url: https://commons.wikimedia.org/wiki/File:De_Zavala_Flag.svg (Year: 2011).*

* cited by examiner

FIG. 1

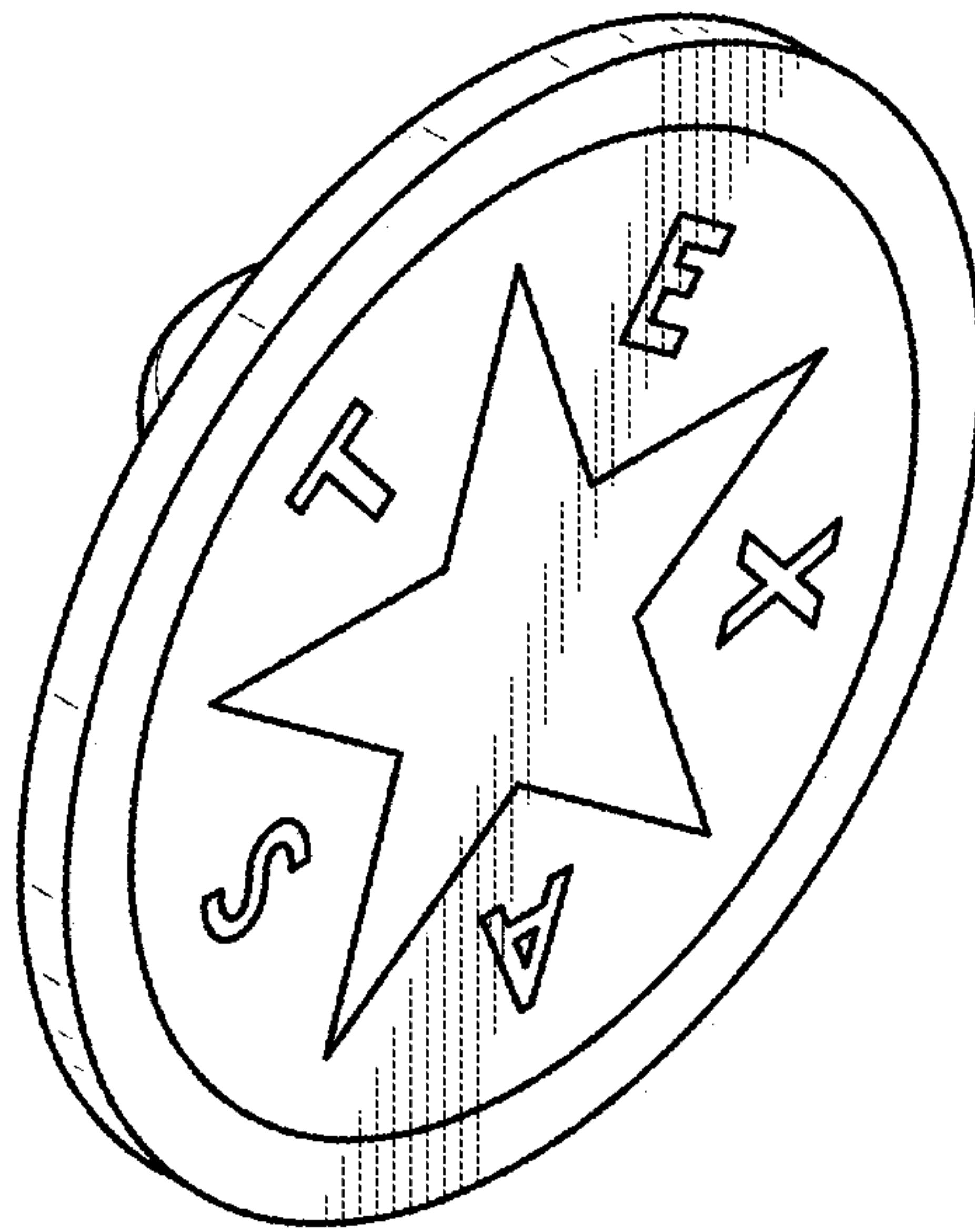


FIG. 2

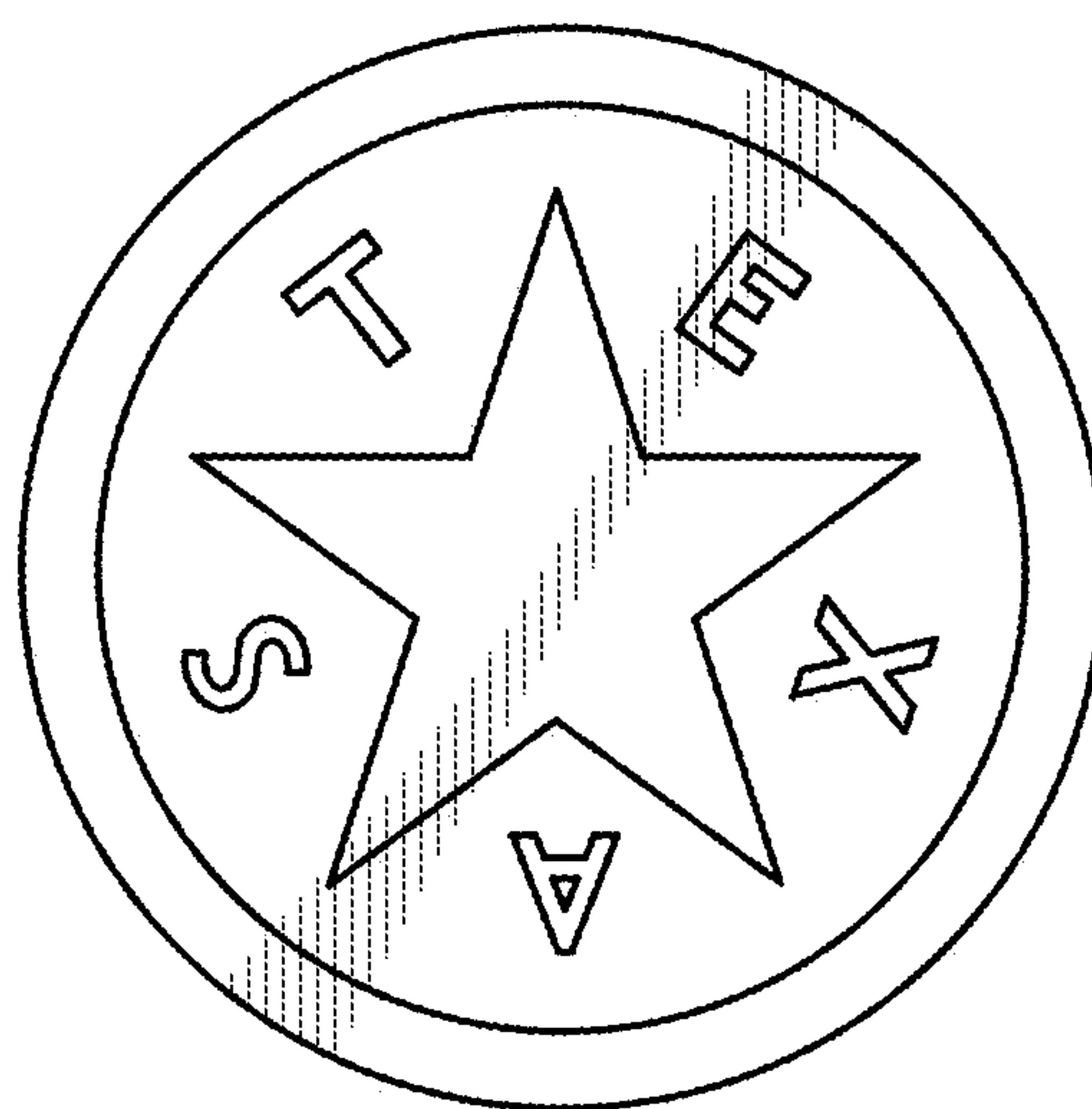


FIG. 3

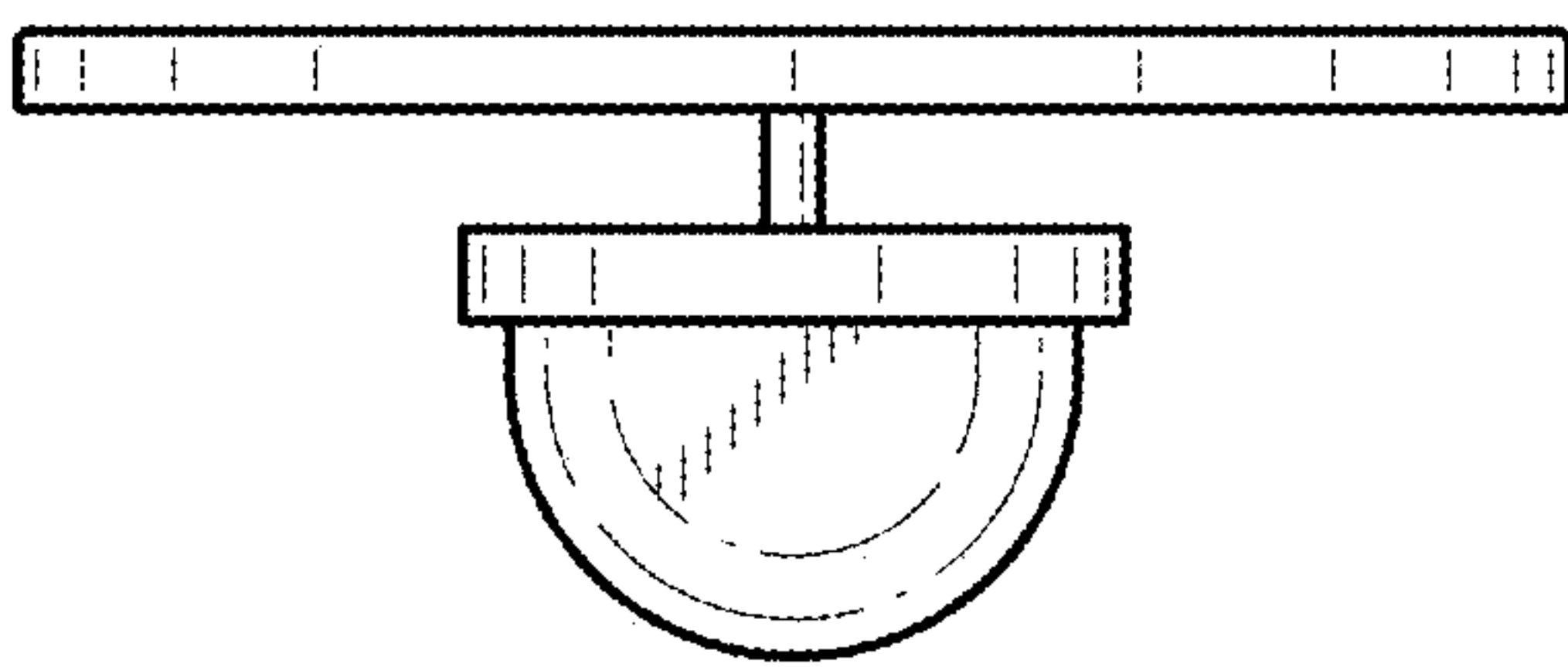


FIG. 4

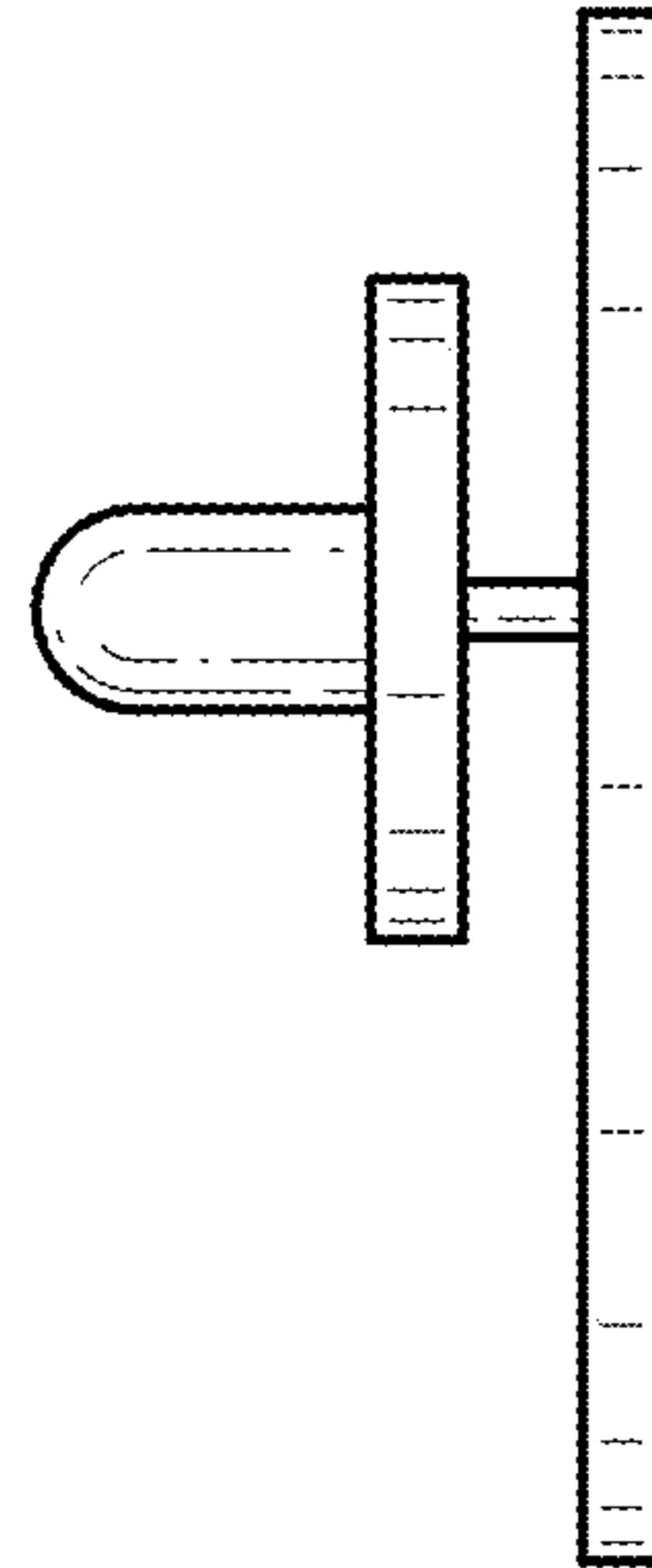


FIG. 5

