



US00D952504S

(12) **United States Design Patent** (10) **Patent No.:** **US D952,504 S**
Yang (45) **Date of Patent:** **** May 24, 2022**

(54) **NOSE RING SET**

(71) Applicant: **Yang Yang**, Hefei (CN)

(72) Inventor: **Yang Yang**, Hefei (CN)

(**) Term: **15 Years**

(21) Appl. No.: **29/795,894**

(22) Filed: **Jun. 21, 2021**

(51) **LOC (13) Cl.** **11-01**

(52) **U.S. Cl.**
USPC **D11/40**

(58) **Field of Classification Search**

USPC D11/1-44, 91, 92; D3/207-211
CPC A44C 7/00; A44C 7/002; A44C 7/003;
A44C 7/004; A44C 7/005; A44C 7/006;
A44C 7/007; A44C 7/008; A44C 7/009;
A44C 25/00; A44C 25/001; A44C
25/002; A44C 25/007; A44C 1/00; A44C
3/00; A44C 17/02; A44C 17/0208; A44C
17/0216; A44C 17/0225; A44C 17/0233;
A44C 17/0241; A44C 17/025; A44C
17/0258; A44C 17/0266; A44C 17/0275;
A44C 17/0283; A44C 17/0291; A44C
5/00; A44C 5/0007; A44C 9/00; A44C
9/0007; A44C 9/0015; A44C 9/0023;
A44C 9/003; A44C 9/0038; A44C
9/0046; A44C 9/0053; A44C 9/0061;
A44C 9/0076; A44C 9/0069; A44C
9/0084; A44C 9/0092; A44C 9/02
See application file for complete search history.

(56) **References Cited**

U.S. PATENT DOCUMENTS

D370,865 S	*	6/1996	Brisk	D11/40
D385,211 S	*	10/1997	Brisk	D11/40
D418,079 S	*	12/1999	Porcell	D11/40
D472,838 S	*	4/2003	Ziller	D11/40
D605,464 S	*	12/2009	McGuire	D9/434
D793,893 S	*	8/2017	Oliner-Katz	D11/42

D906,861 S	*	1/2021	Sivriere	D11/40
2019/0343245 A1	*	11/2019	Daga	A44C 25/007
2021/0345737 A1	*	11/2021	Trousdell	A44C 15/0035

OTHER PUBLICATIONS

[Online] https://m.media-amazon.com/images/I/61J5a3sCPSL._AC_UL480_FMwebp_QL65_.jpg.
[Online] https://m.media-amazon.com/images/I/614Z1OtXMKL._AC_UL480_QL65_.jpg.
[Online] https://www.amazon.com/ONESING-Magnetic-Piercing-Pierced-Stainless/dp/B0983556JV/ref=asc_df_B0983556JV?tag=bingshoppinga-20&linkCode=df0&hvadid=79989590442064&hvnetw=o&hvqmt=e&hvbmt=be&hvdev=c&hvllocint=&hvllocphy=&hvtargid=pla-4583589116278936&th=1. Retrieved Dec. 3, 2021.*

* cited by examiner

Primary Examiner — Melanie Pellegrini

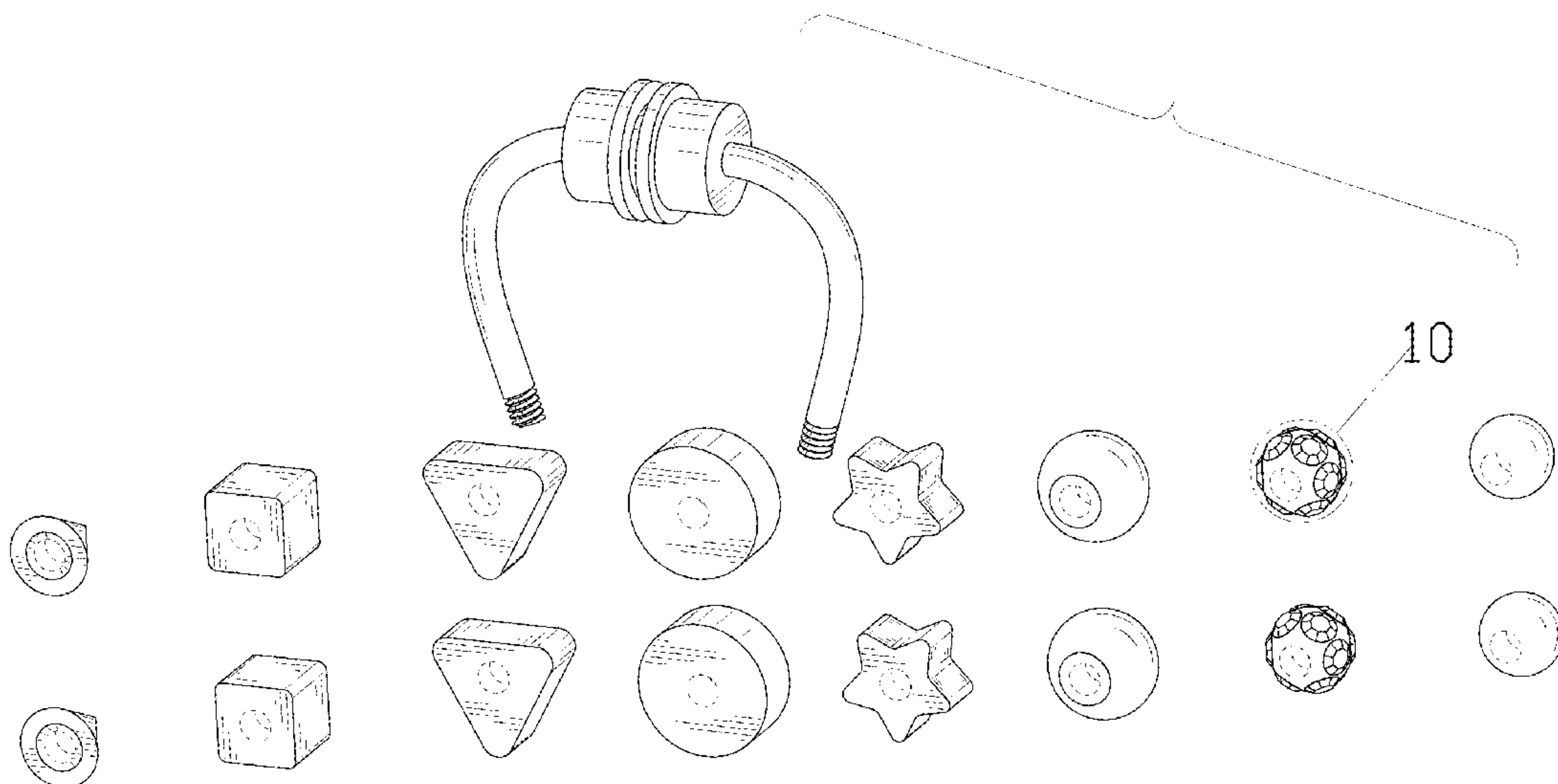
(57) **CLAIM**

The ornamental design for a nose ring set, as shown and described.

DESCRIPTION

FIG. 1 is a perspective view of a nose ring set showing my new design;
FIG. 2 is another perspective view thereof;
FIG. 3 is a front elevational view thereof;
FIG. 4 is a rear elevational view thereof;
FIG. 5 is a left side elevational view thereof;
FIG. 6 is a right side elevational view thereof;
FIG. 7 is a top plan view thereof;
FIG. 8 is a bottom plan view thereof;
FIG. 9 is a perspective view of the nose ring set where the nose ring set is in a configuration of use;
FIG. 10 is an enlarged view of portion 10 shown in FIG. 1; and,
FIG. 11 is an enlarged view of portion 11 shown in FIG. 2.
The broken lines in the drawings depict portions of the nose ring set that form no part of the claimed design.

1 Claim, 11 Drawing Sheets



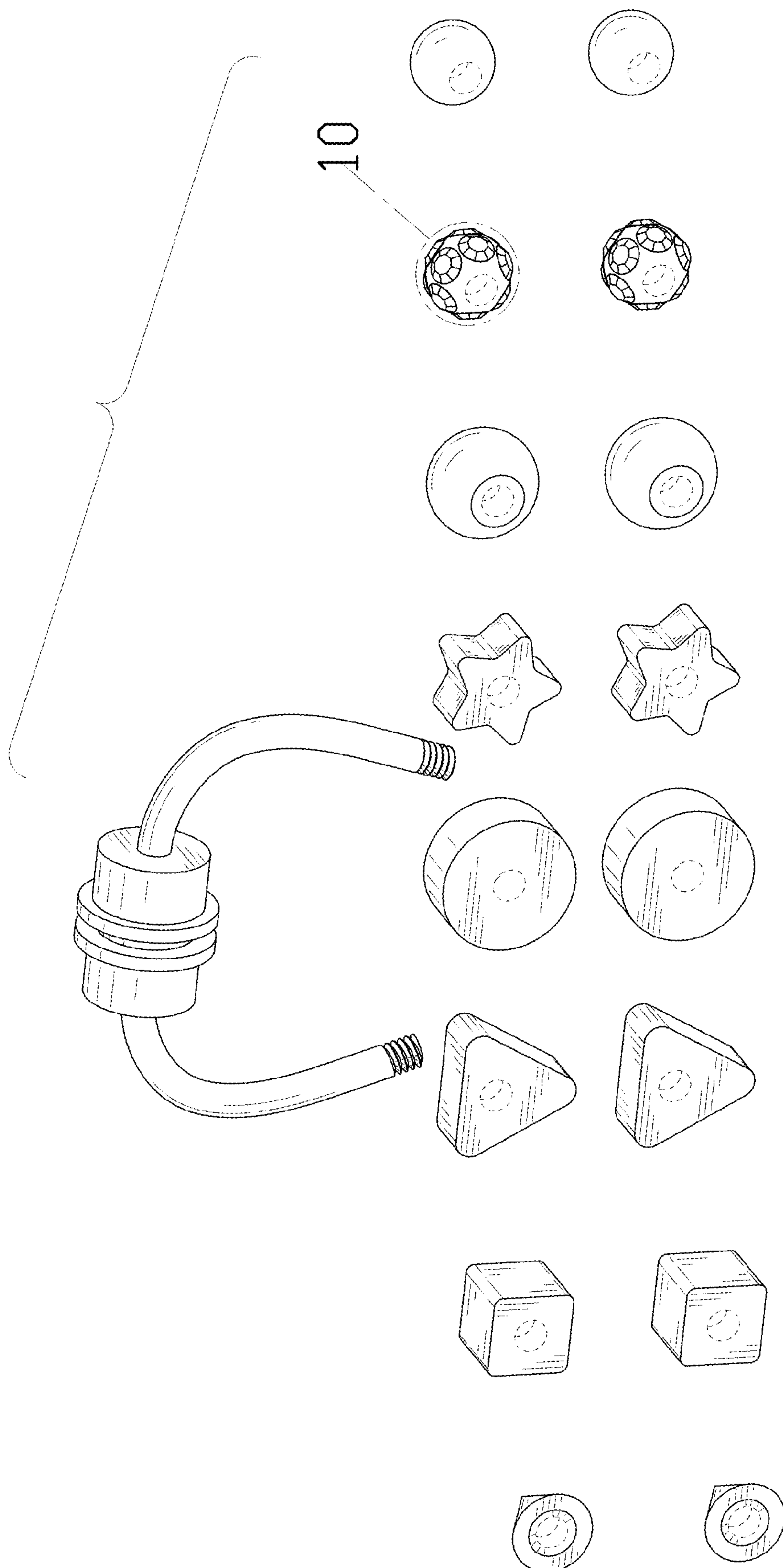


FIG. 1

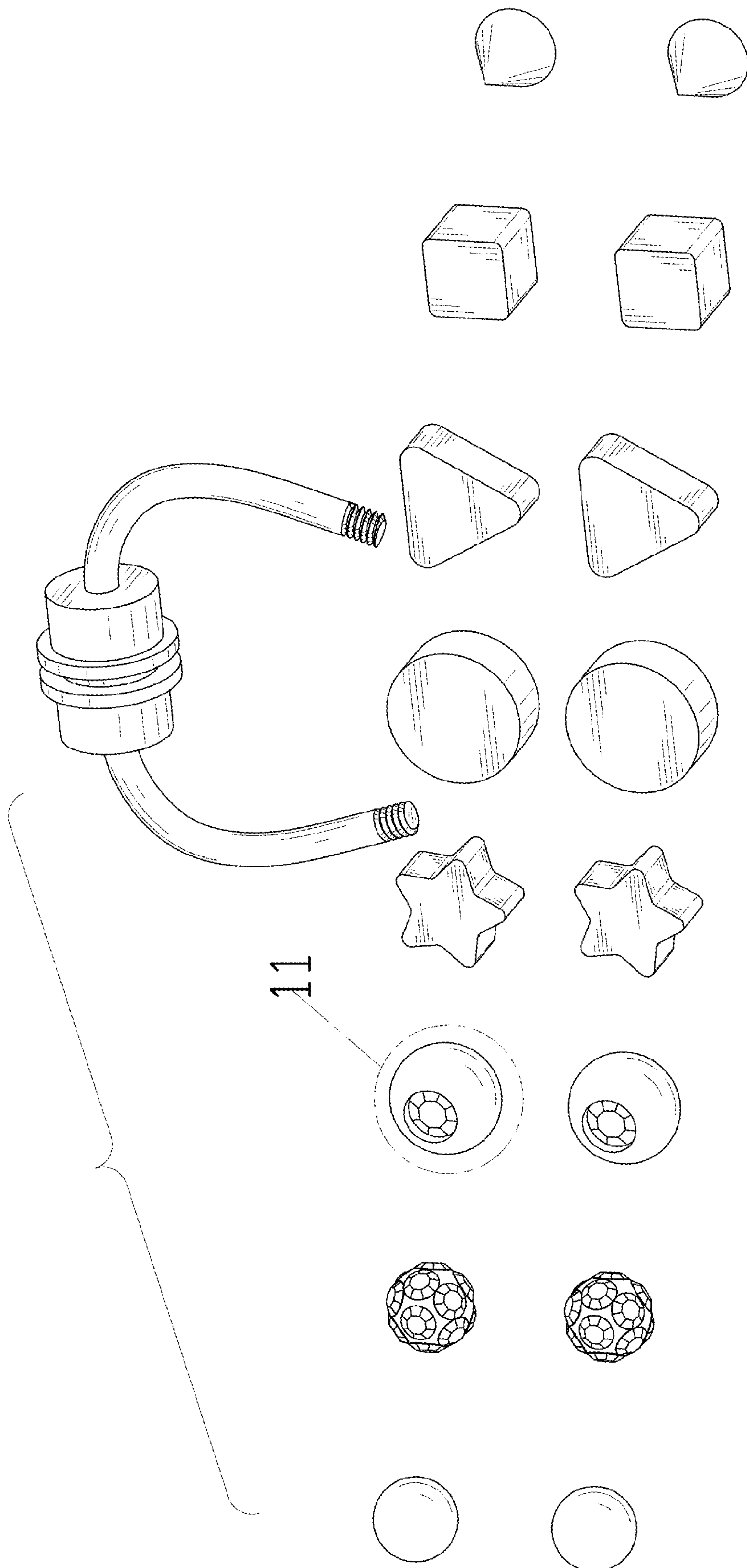


FIG. 2

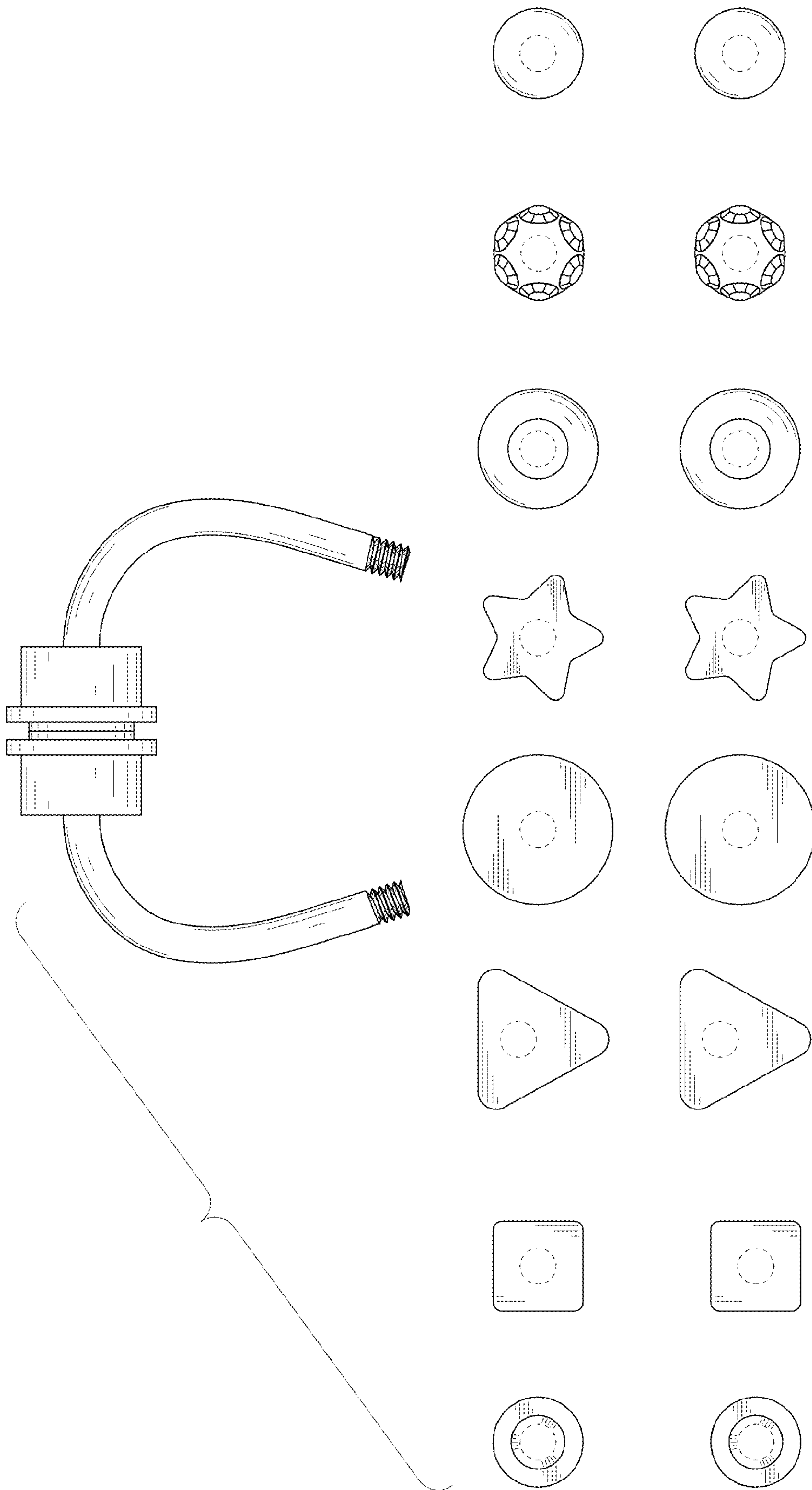


FIG. 3

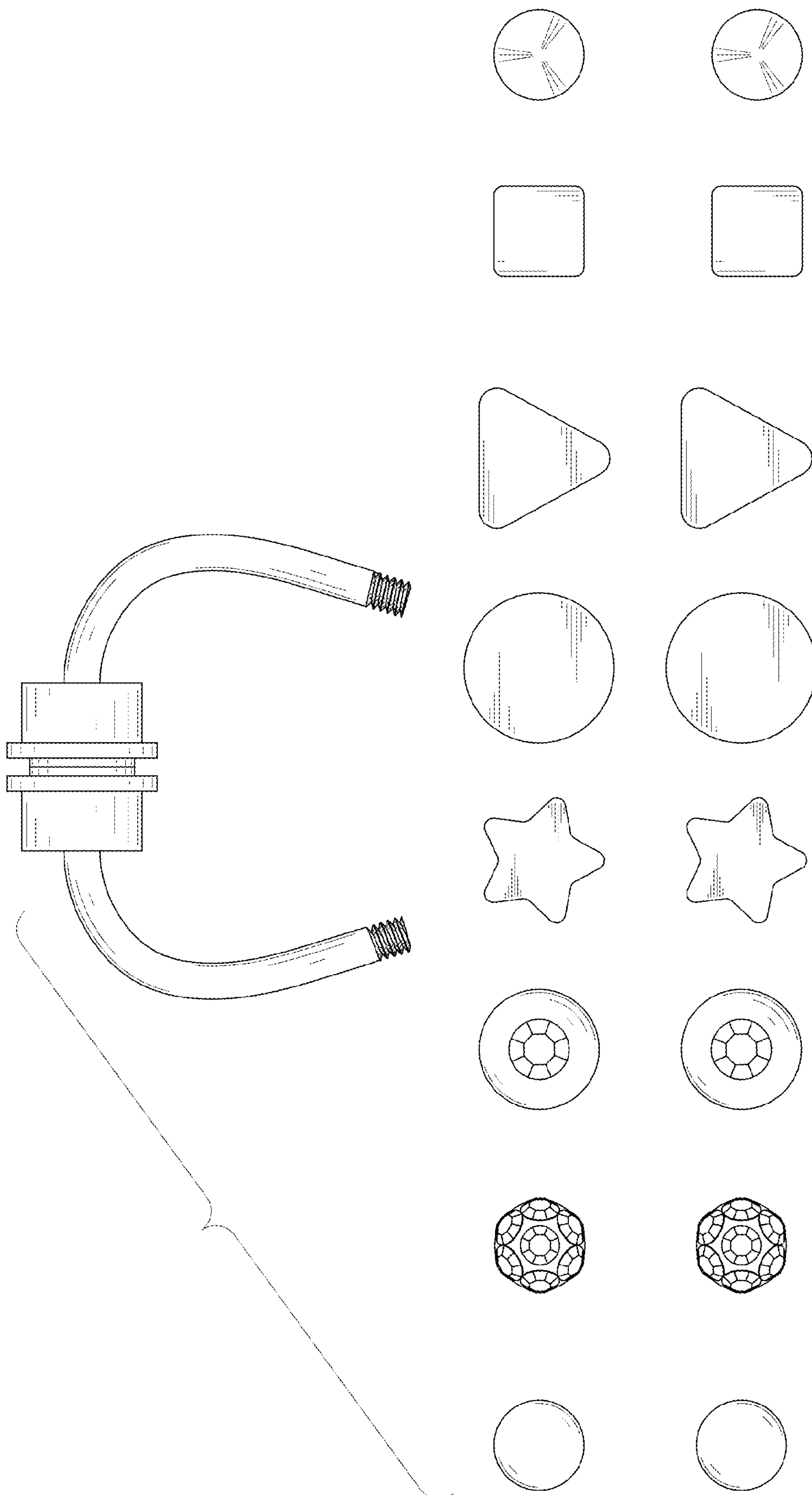


FIG. 4

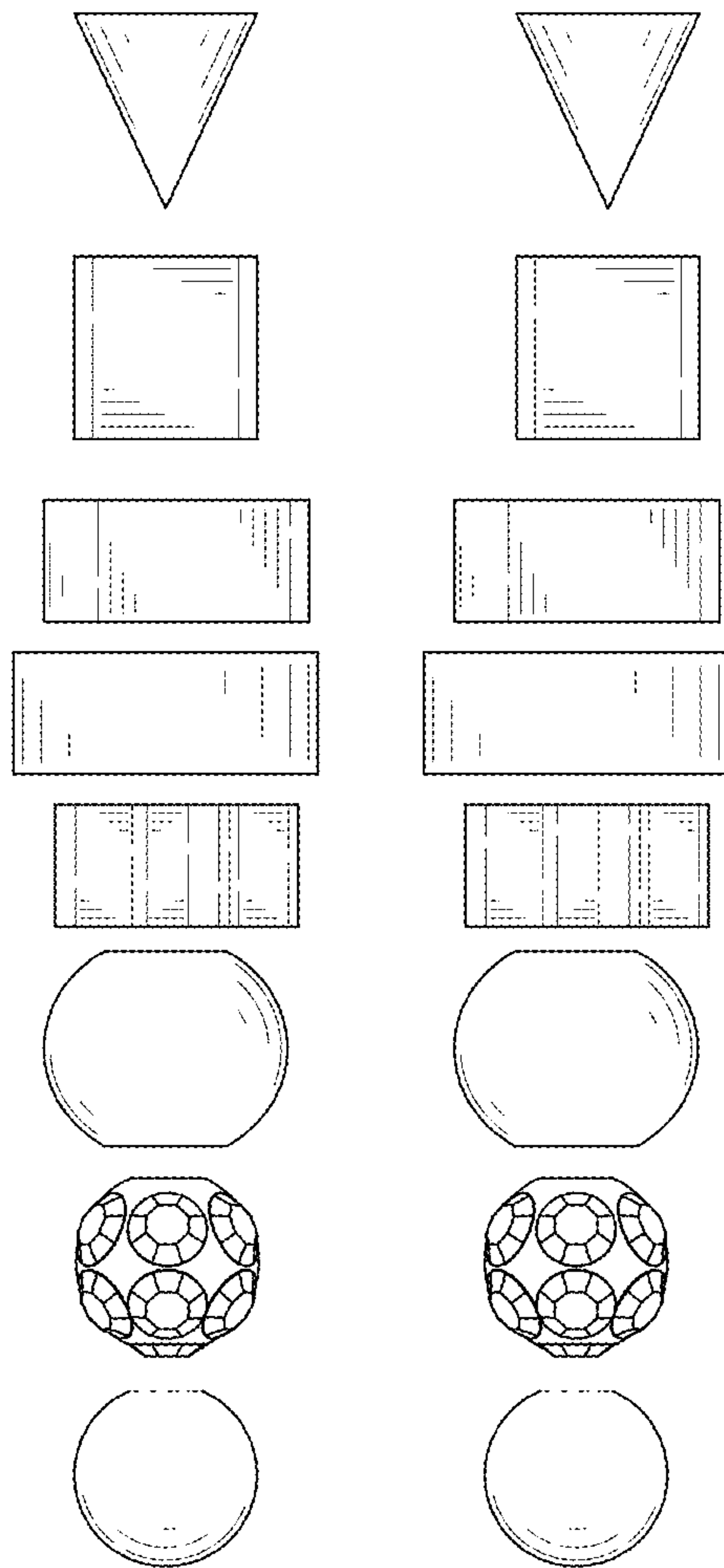
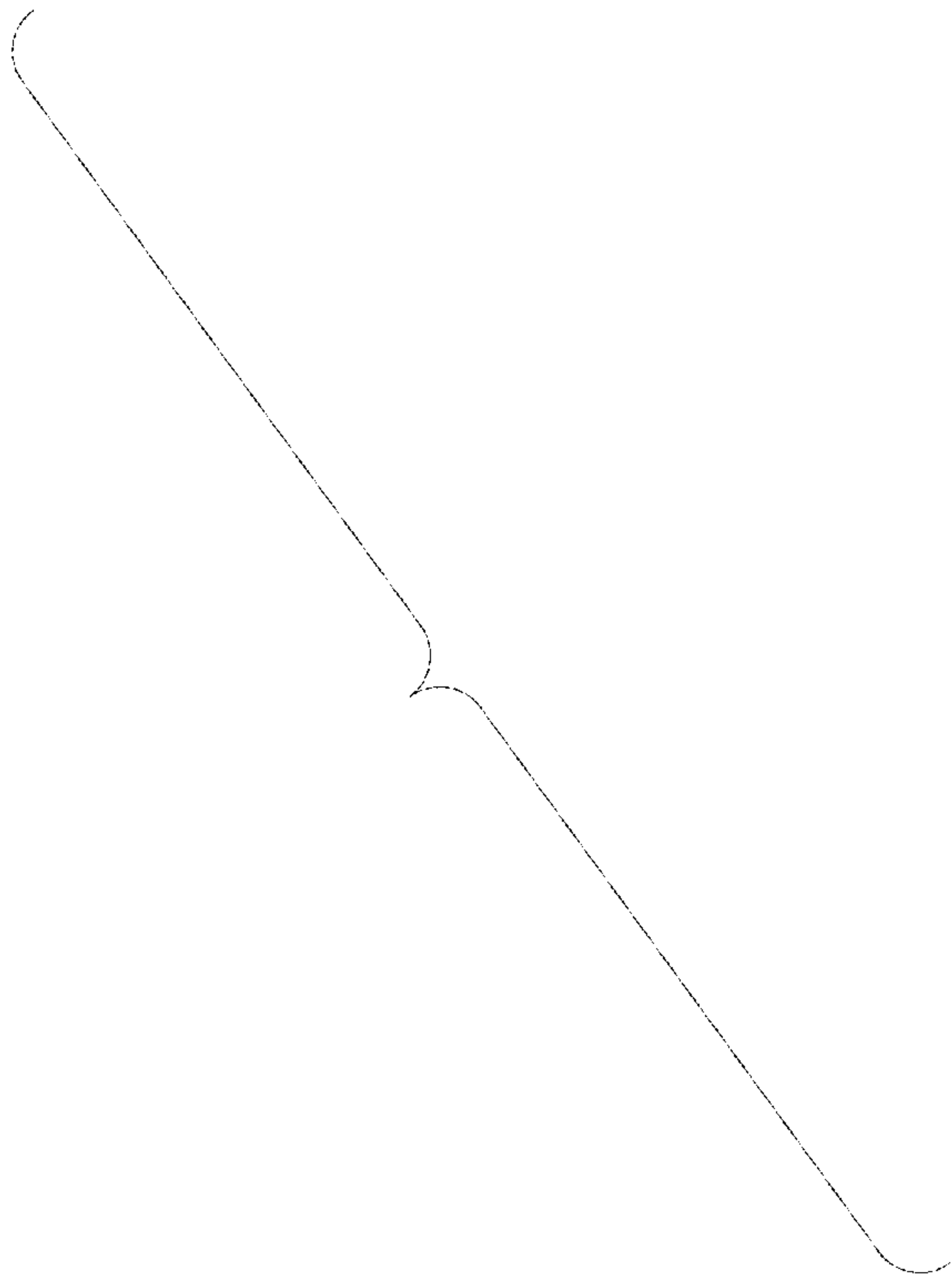
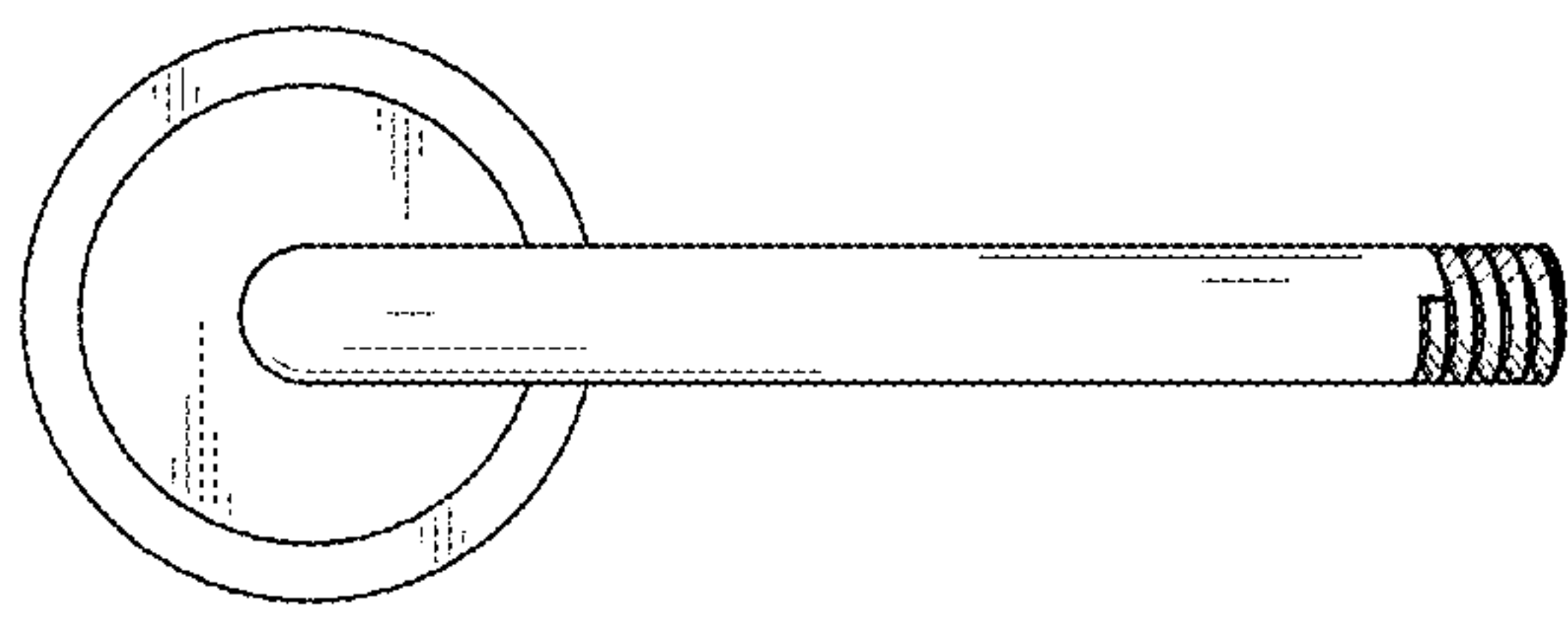


FIG. 5

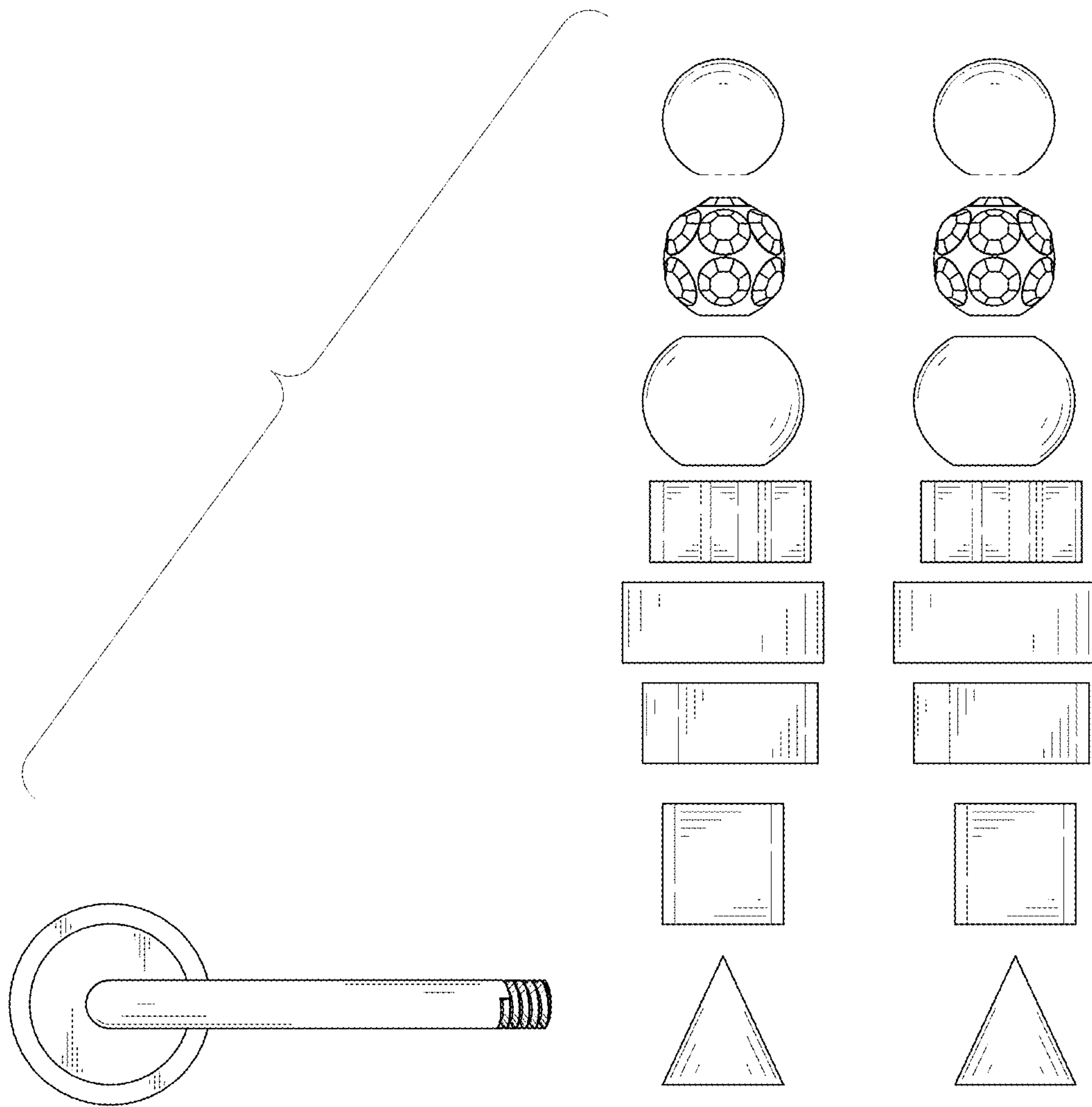


FIG. 6

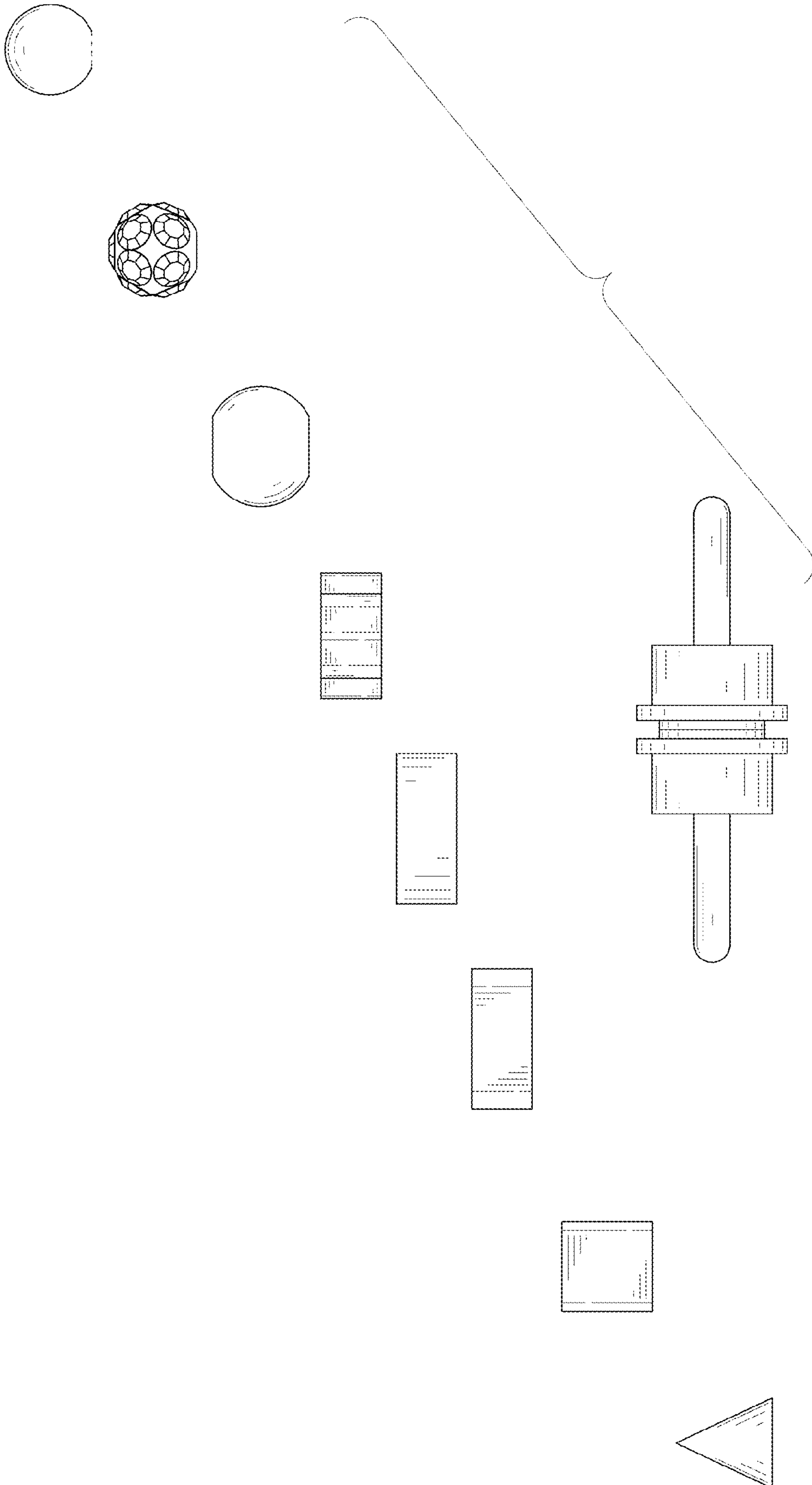


FIG. 7

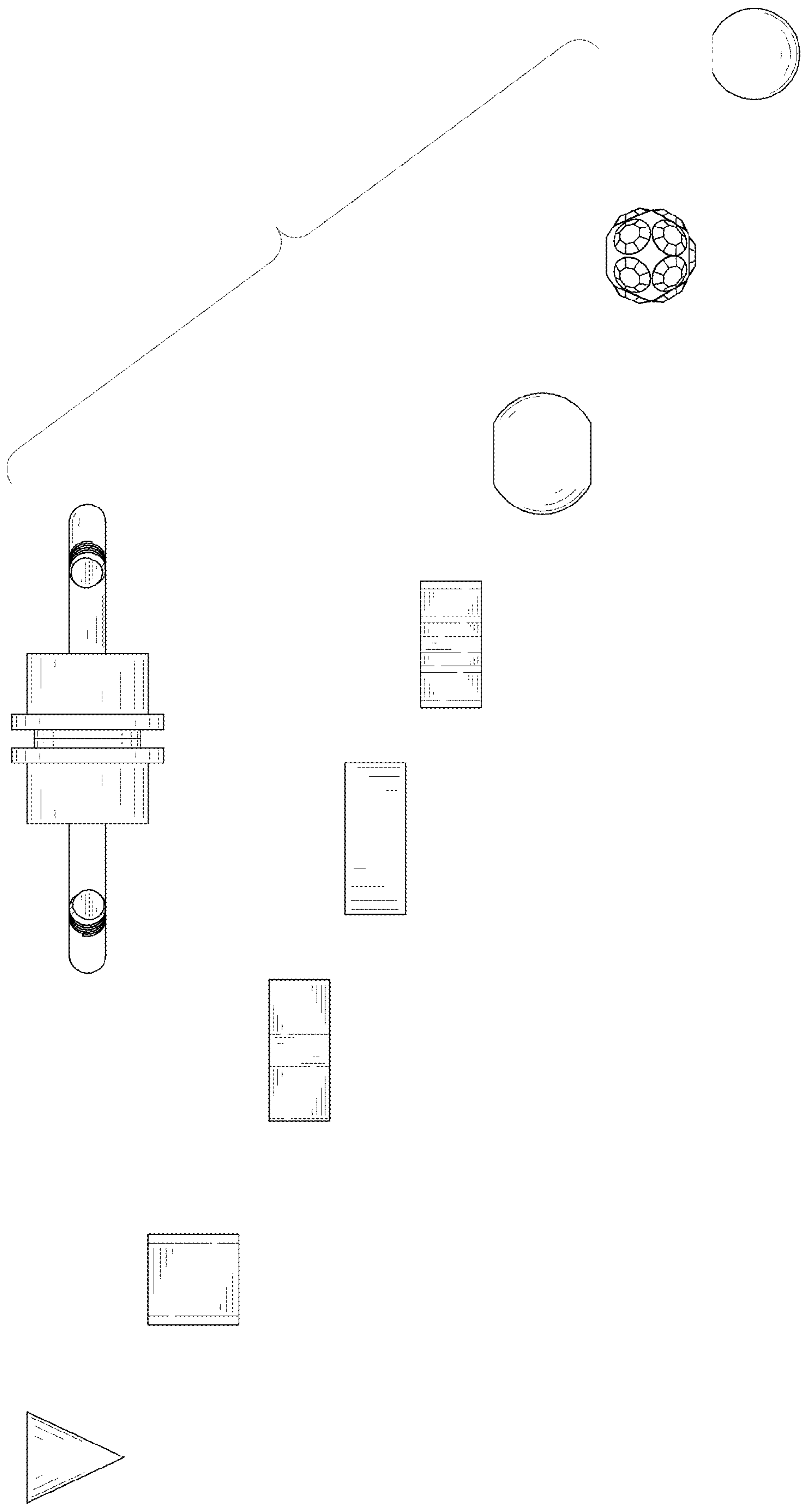


FIG. 8

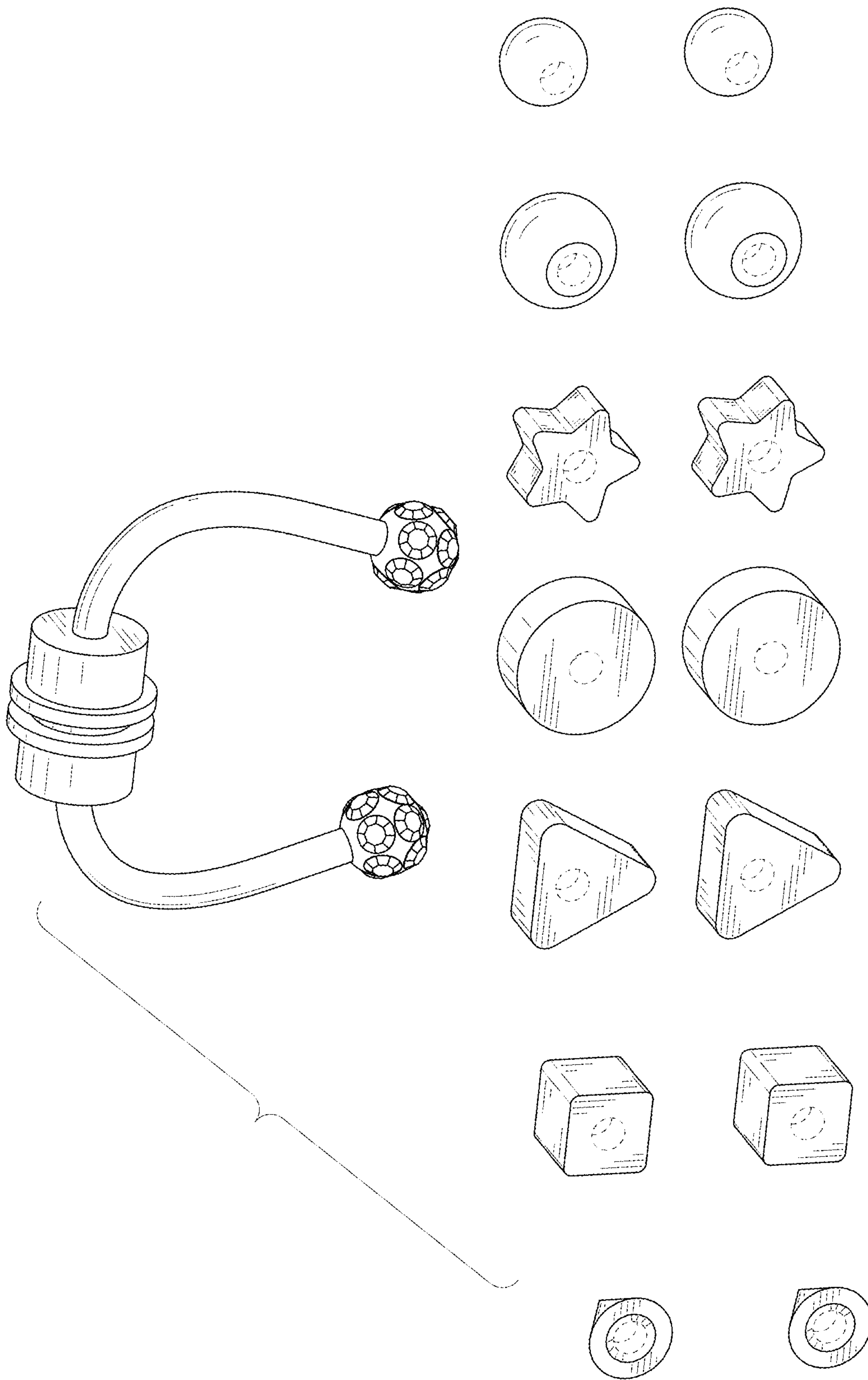


FIG. 9

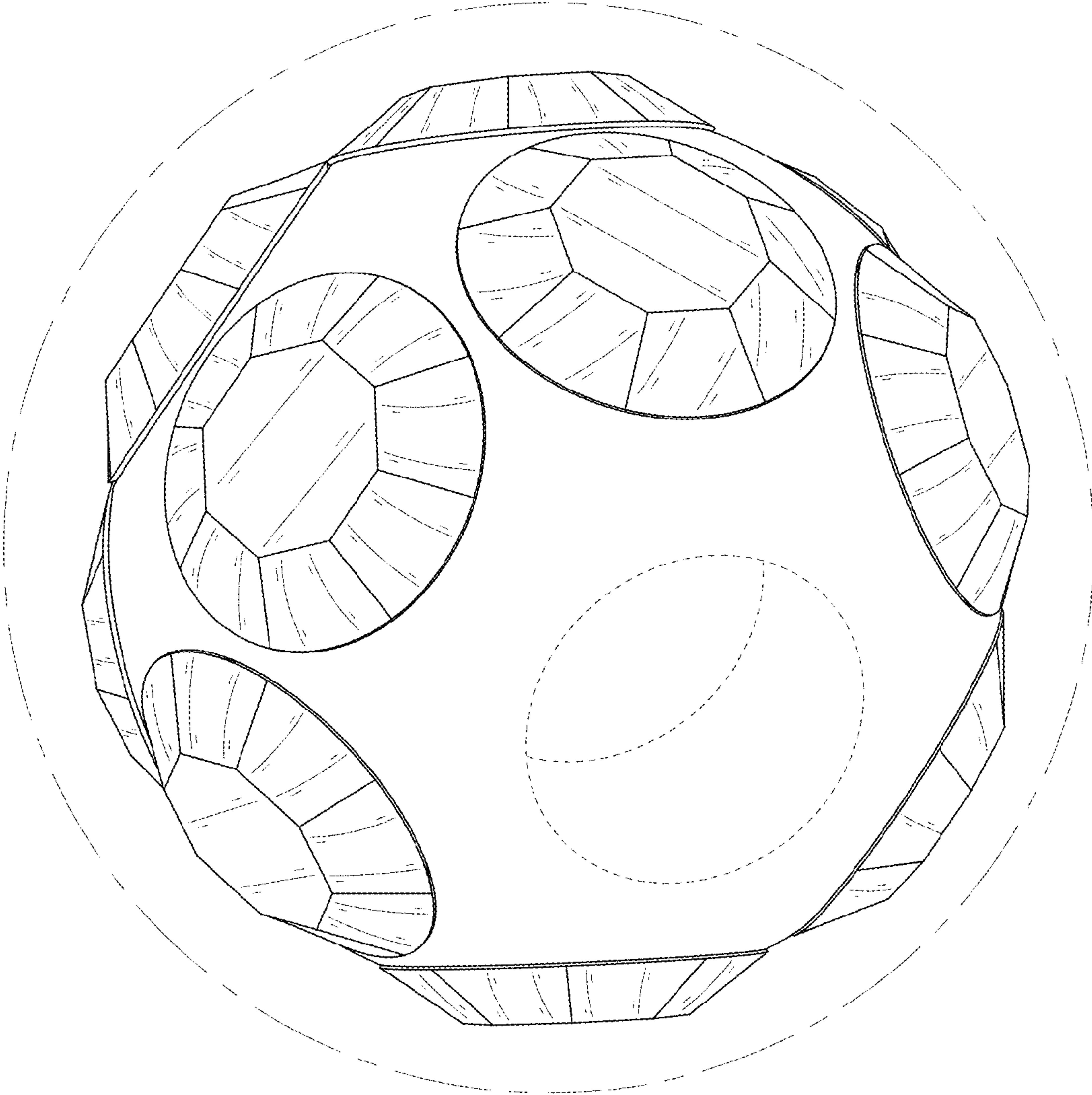


FIG. 10

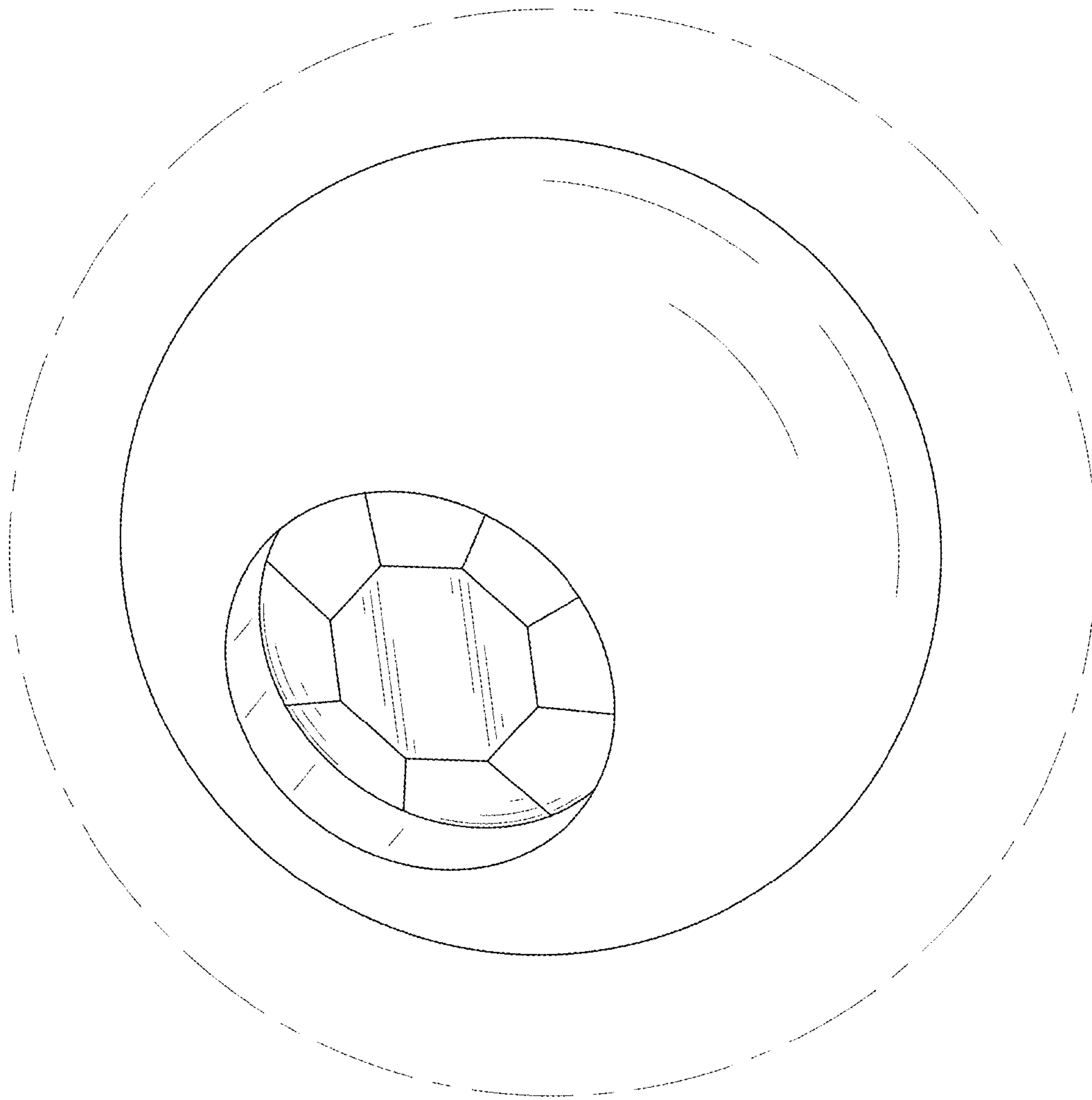


FIG. 11