



US00D952503S

(12) **United States Design Patent** (10) **Patent No.:** **US D952,503 S**
Sallard (45) **Date of Patent:** **** May 24, 2022**

(54) **EARRING**

(71) Applicant: **CARTIER INTERNATIONAL AG,**
Steinhausen (CH)

(72) Inventor: **Emmanuelle Sallard,** Steinhausen (CH)

(73) Assignee: **CARTIER INTERNATIONAL AG,**
Steinhausen (CH)

(**) Term: **15 Years**

(21) Appl. No.: **29/708,971**

(22) Filed: **Oct. 10, 2019**

(30) **Foreign Application Priority Data**

Apr. 11, 2019 (WO) WIPO82529

(51) **LOC (13) Cl.** **11-01**

(52) **U.S. Cl.**
USPC **D11/40; D11/48**

(58) **Field of Classification Search**
USPC ... D11/1, 40, 42, 43, 44, 46, 47, 48, 75, 76,
D11/79, 81, 86; D8/387
CPC A44C 7/00; A44C 7/002; A44C 7/003;
A44C 7/004; A44C 7/005; A44C 7/006;
A44C 7/007; A44C 7/008
See application file for complete search history.

(56) **References Cited**

U.S. PATENT DOCUMENTS

4,003,217 A * 1/1977 Evans A44C 7/00
63/12
D260,620 S * 9/1981 Blum D11/3
D292,780 S * 11/1987 Galask D11/48
D303,494 S * 9/1989 Lange D8/387
D394,411 S * 5/1998 Gozlan D11/4
D470,429 S * 2/2003 Bonnet D11/3
D481,646 S * 11/2003 Bonifacio D11/40
D545,236 S * 6/2007 Allin D11/79

D659,581 S * 5/2012 Fillon D11/26
D663,230 S * 7/2012 Fillon D11/4
D663,231 S * 7/2012 Fillon D11/4
D687,735 S * 8/2013 Frigerio D11/3
D905,585 S * 12/2020 Magallanes-Leal A44C 7/00
D11/6

FOREIGN PATENT DOCUMENTS

EM 000398565-0014 * 10/2005

OTHER PUBLICATIONS

CRB8301423—LOVE single earring, no date available, [online],
[site visited Dec. 9, 2021]. Retrieved from url:https://www.cartier.com/en-us/jewelry/earrings/love-single-earring-CRB8301423.html
(Year: 2021).*

* cited by examiner

Primary Examiner — Tracey J Bell
(74) *Attorney, Agent, or Firm* — Oliff PLC

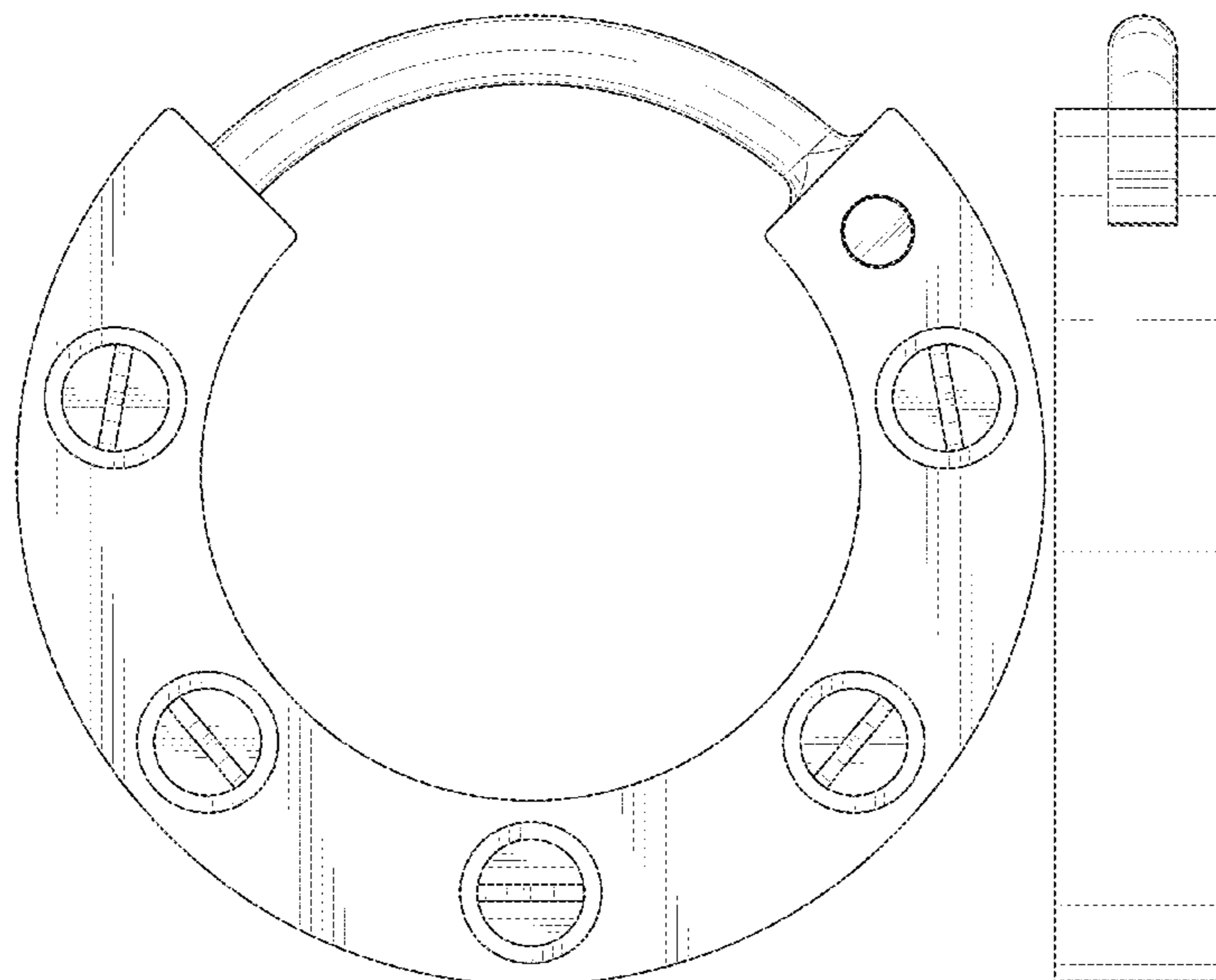
(57) **CLAIM**

The ornamental design for an earring, as shown and described.

DESCRIPTION

FIG. 1 is a front, right-side, top perspective view of the earring;
FIG. 2 is a front elevational view thereof;
FIG. 3 is a rear elevational view thereof;
FIG. 4 is a right-side elevational view thereof;
FIG. 5 is a left-side elevational view thereof;
FIG. 6 is a top plan view thereof;
FIG. 7 is a bottom plan view thereof;
FIG. 8 is a front, right-side perspective view thereof;
FIG. 9 is a front, left-side perspective view thereof;
FIG. 10 is a front, top perspective view thereof; and,
FIG. 11 is a rear, bottom perspective view thereof.

1 Claim, 7 Drawing Sheets



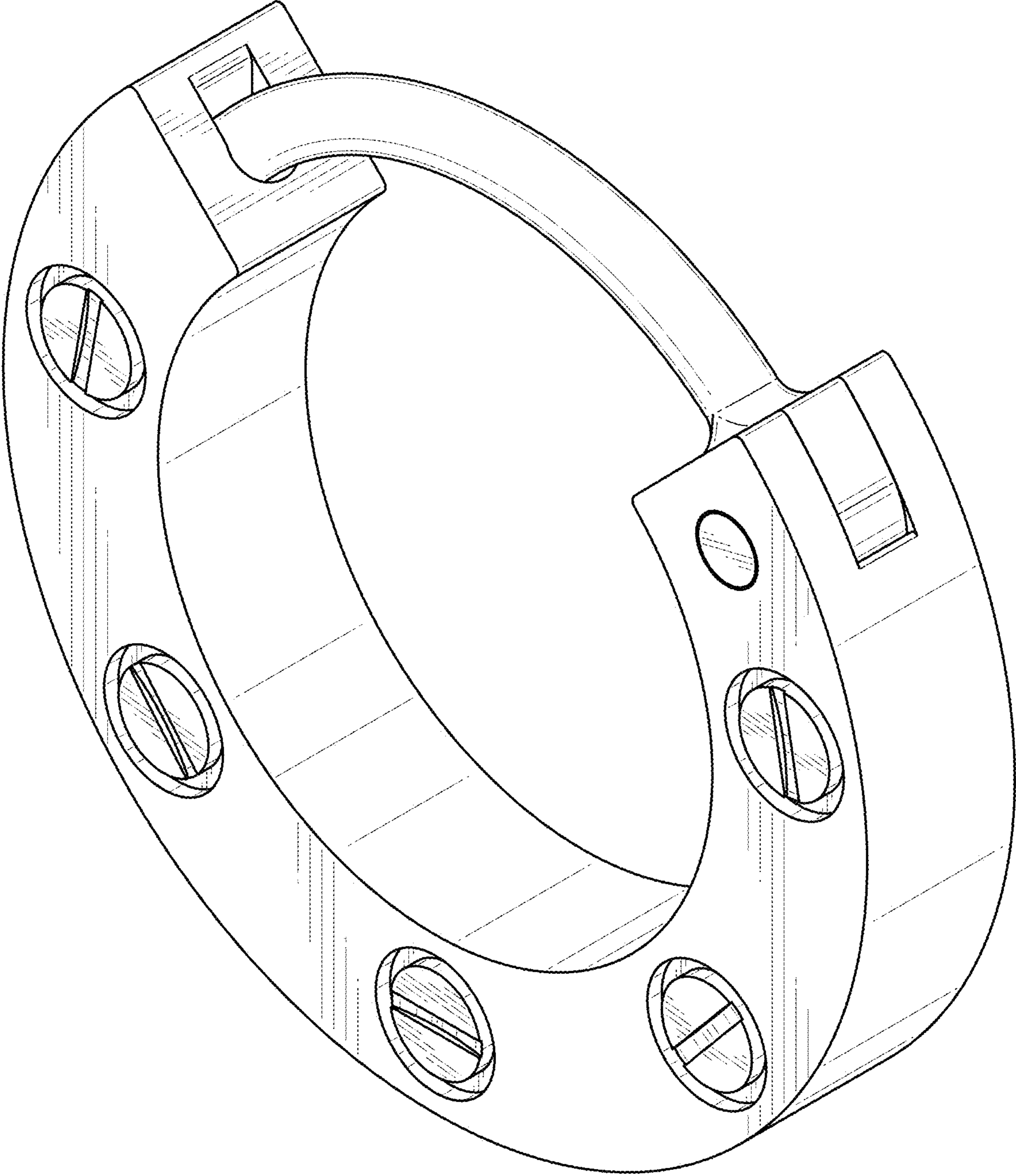


FIG. 1

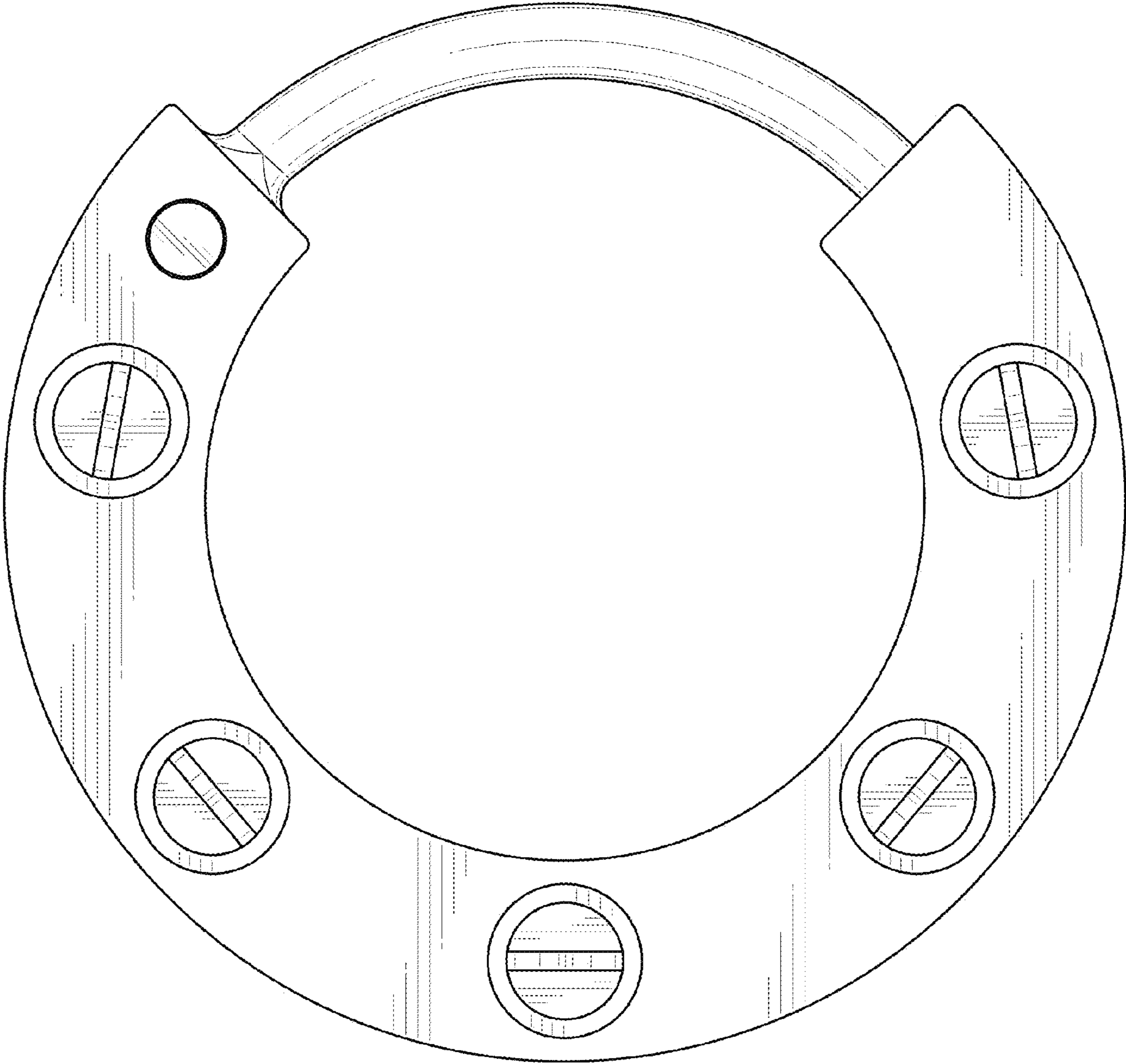


FIG. 2

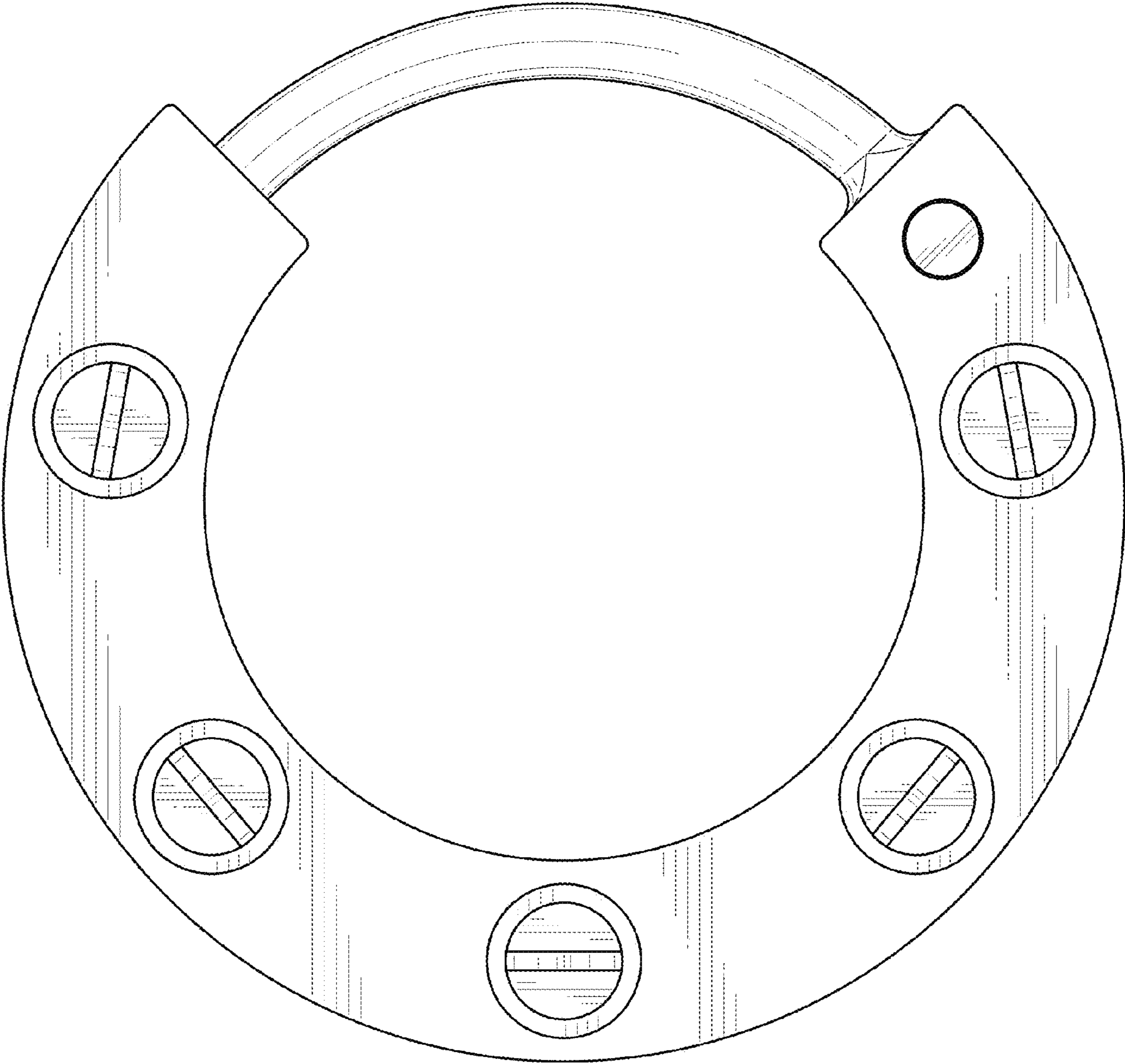


FIG. 3

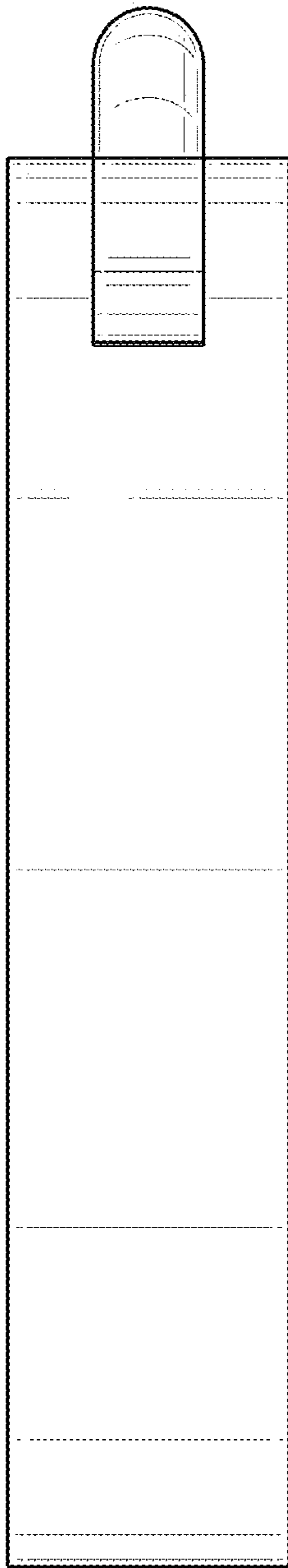


FIG. 4

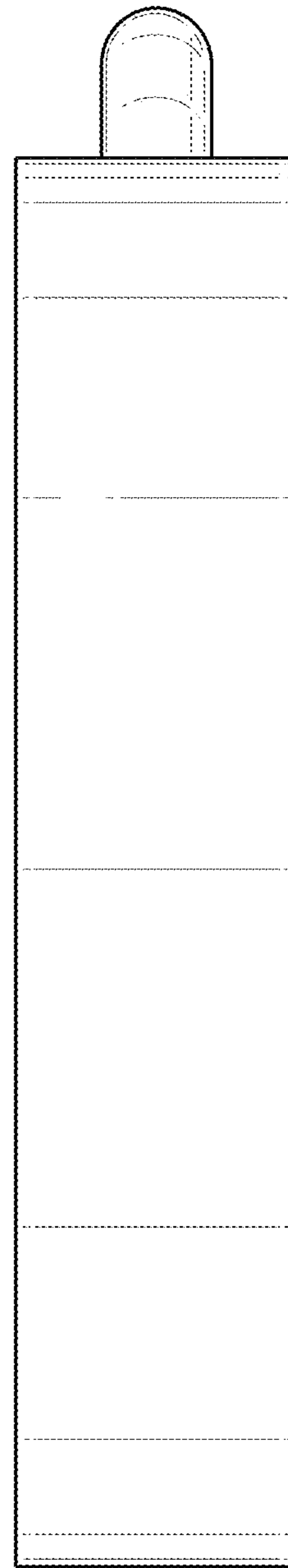


FIG. 5

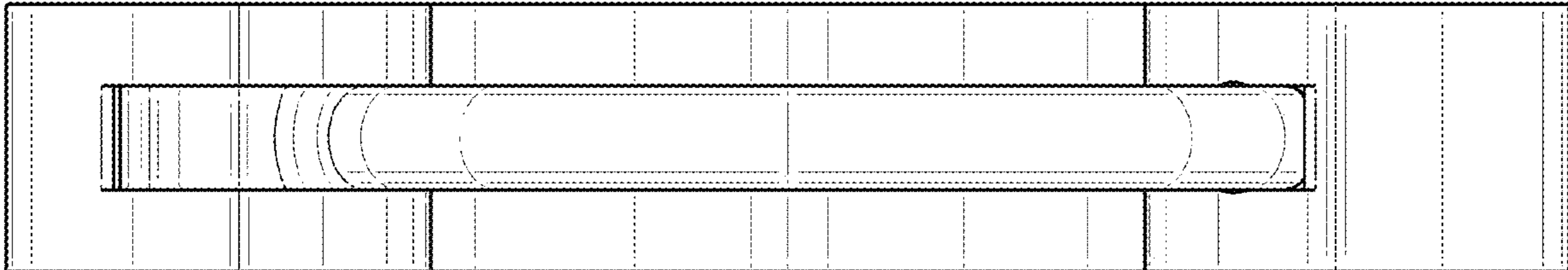


FIG. 6

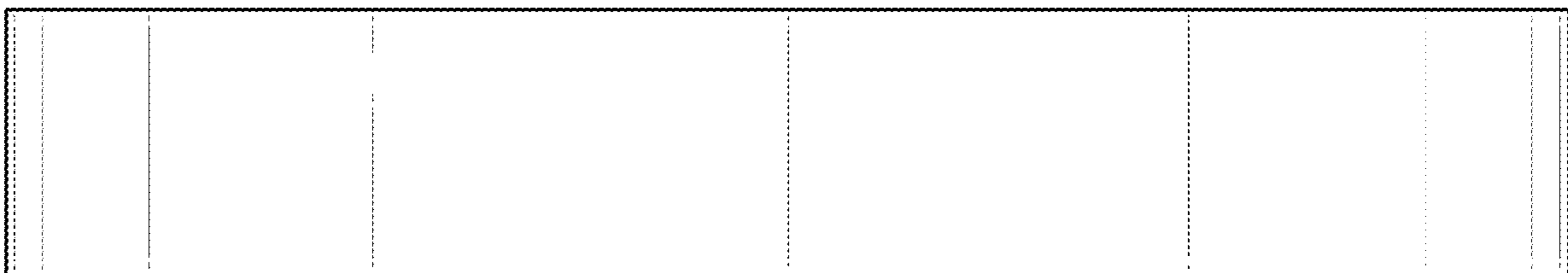


FIG. 7

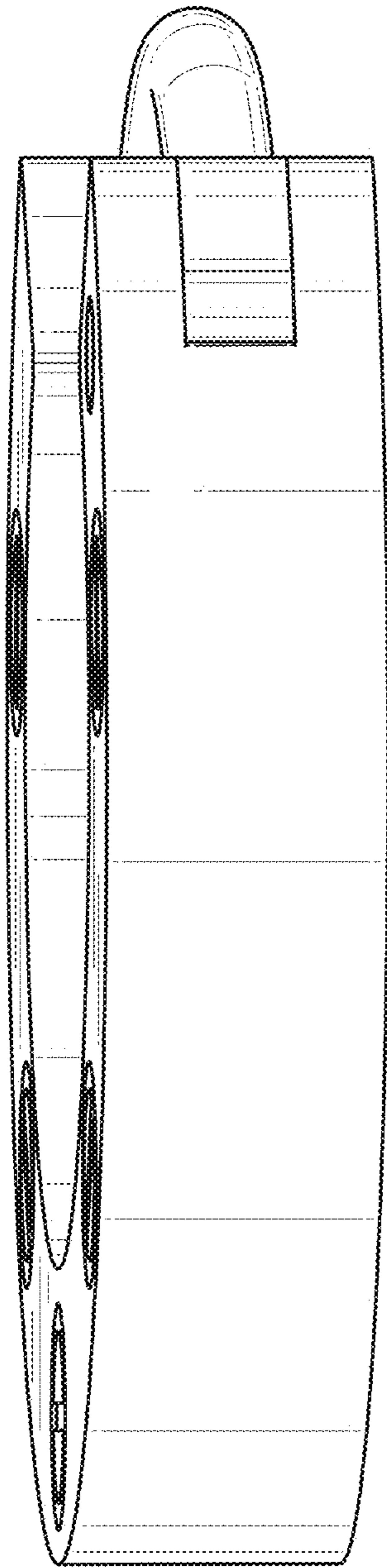


FIG. 8

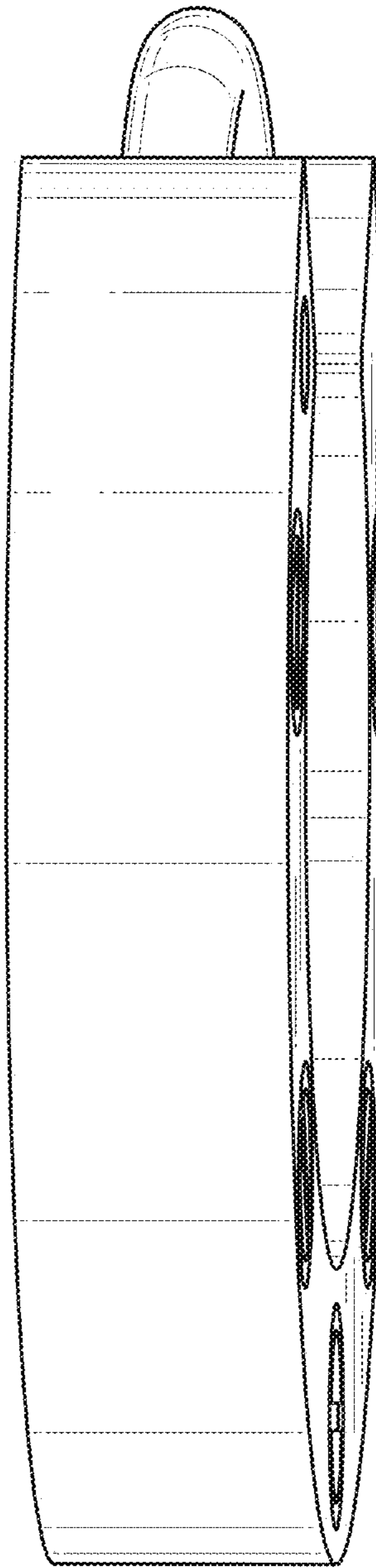


FIG. 9

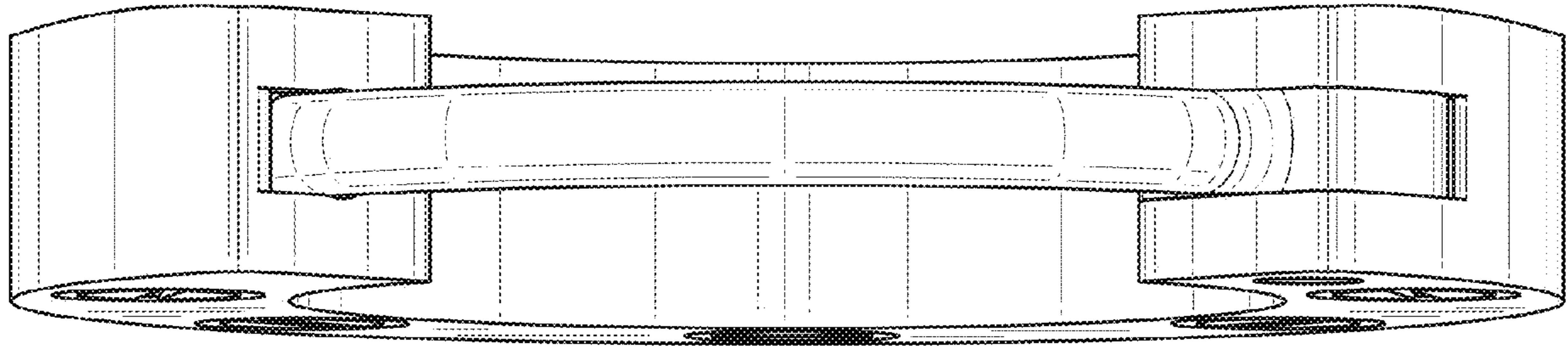


FIG. 10

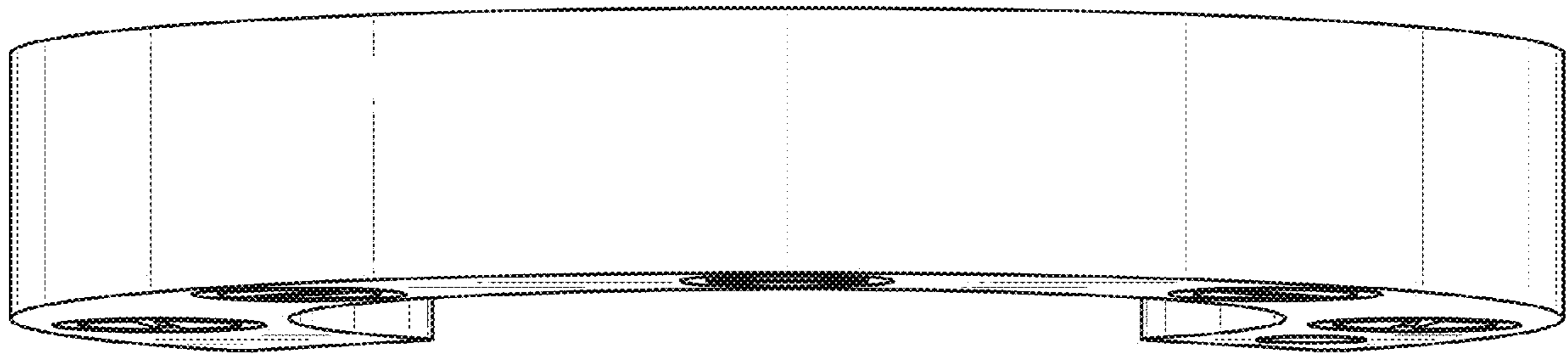


FIG. 11