



US00D952501S

(12) **United States Design Patent** (10) **Patent No.:** **US D952,501 S**  
**Kadar** (45) **Date of Patent:** **\*\* \*May 24, 2022**

- (54) **RING**
- (71) Applicant: **Michal Kadar LLC**, New York, NY (US)
- (72) Inventor: **Michal Kadar**, New York, NY (US)
- (73) Assignee: **MICHAL KADAR LLC**, New York, NY (US)
- (\*) Notice: This patent is subject to a terminal disclaimer.
- (\*\*) Term: **15 Years**
- (21) Appl. No.: **29/657,167**
- (22) Filed: **Jul. 19, 2018**
- (51) **LOC (13) Cl.** ..... **11-01**
- (52) **U.S. Cl.**  
USPC ..... **D11/26**
- (58) **Field of Classification Search**  
USPC ..... D11/1, 2, 26-39, 91, 92, 86  
CPC ..... A44C 9/00; A44C 9/0007; A44C 9/0015;  
A44C 9/0023; A44C 9/003; A44C 9/0038; A44C 9/0046; A44C 9/0053;  
A44C 9/0061; A44C 9/0069; A44C 9/0076; A44C 9/0084; A44C 9/0092;  
A44C 9/02; A44C 1/00; A44C 15/00;  
A44C 15/003  
See application file for complete search history.

D450,885 S *	11/2001	Neary	.....	D28/41
D555,532 S *	11/2007	Bonoli	.....	D11/34
D675,545 S *	2/2013	Bonomi	.....	D11/3
D809,416 S *	2/2018	Hardy	.....	D11/34
D809,418 S *	2/2018	Hardy	.....	D11/35
D898,604 S *	10/2020	Kadar	.....	D11/6
D906,152 S *	12/2020	Kadar	.....	D11/6
2017/0006943 A1 *	1/2017	Shands	.....	A44C 5/0007

**OTHER PUBLICATIONS**

[Online] "Fur Ring" <https://kadar.com/piece/fur-ring-in-white-gold/>. Retrieved Sep. 29, 2021.\*

\* cited by examiner

*Primary Examiner* — Melanie Pellegrini

(74) *Attorney, Agent, or Firm* — Tarter Krinsky & Drogin LLP

(57) **CLAIM**

The ornamental design for a ring, as shown and described.

**DESCRIPTION**

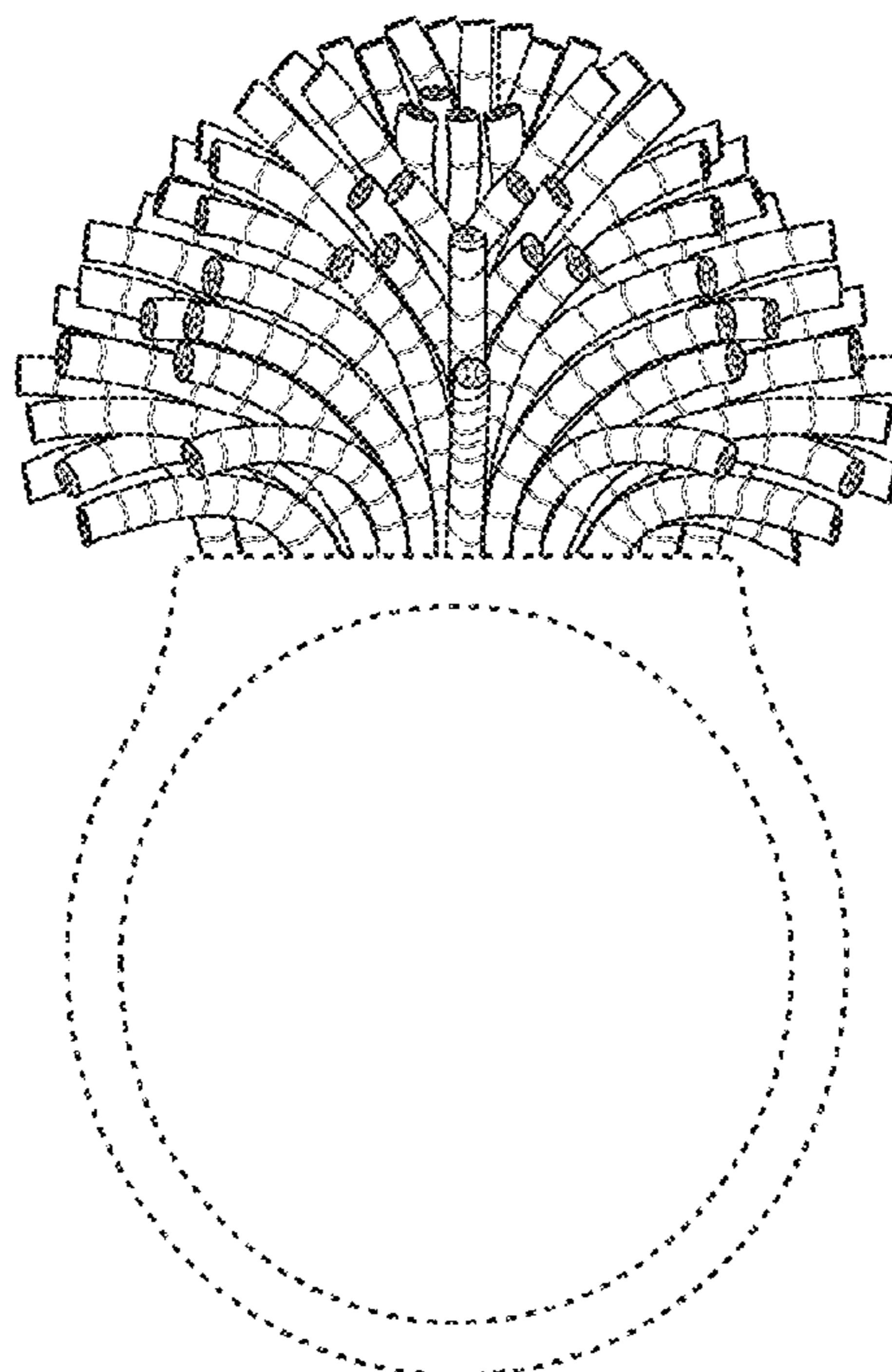
FIG. 1 is a front view of a ring;  
FIG. 2 is a rear view thereof;  
FIG. 3 is a first side view thereof;  
FIG. 4 is a second side view thereof;  
FIG. 5 is a top view thereof;  
FIG. 6 is a bottom view thereof; and,  
FIG. 7 is an enlarged perspective view of the ring worn by a user.

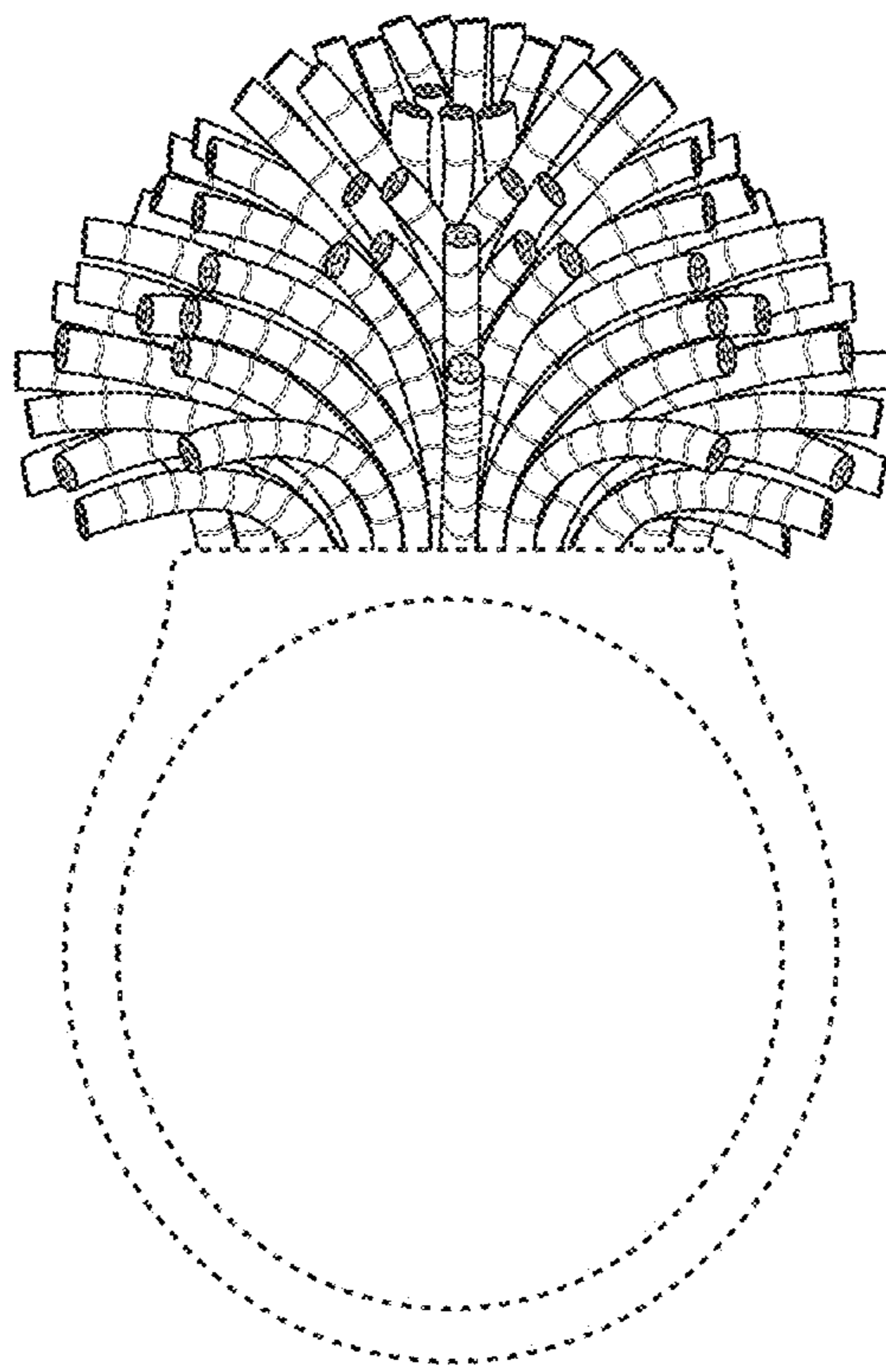
The broken lines showing a hand in FIG. 7 represent environment and form no part of the claimed design. The remaining broken lines in FIGS. 1-7 represent portions of the ring which form no part of the claimed design.

(56) **References Cited**  
U.S. PATENT DOCUMENTS

D439,374 S *	3/2001	Martin	.....	D28/41
D439,863 S *	4/2001	Cabarbaye	.....	D11/26

**1 Claim, 6 Drawing Sheets**





**FIG. 1**

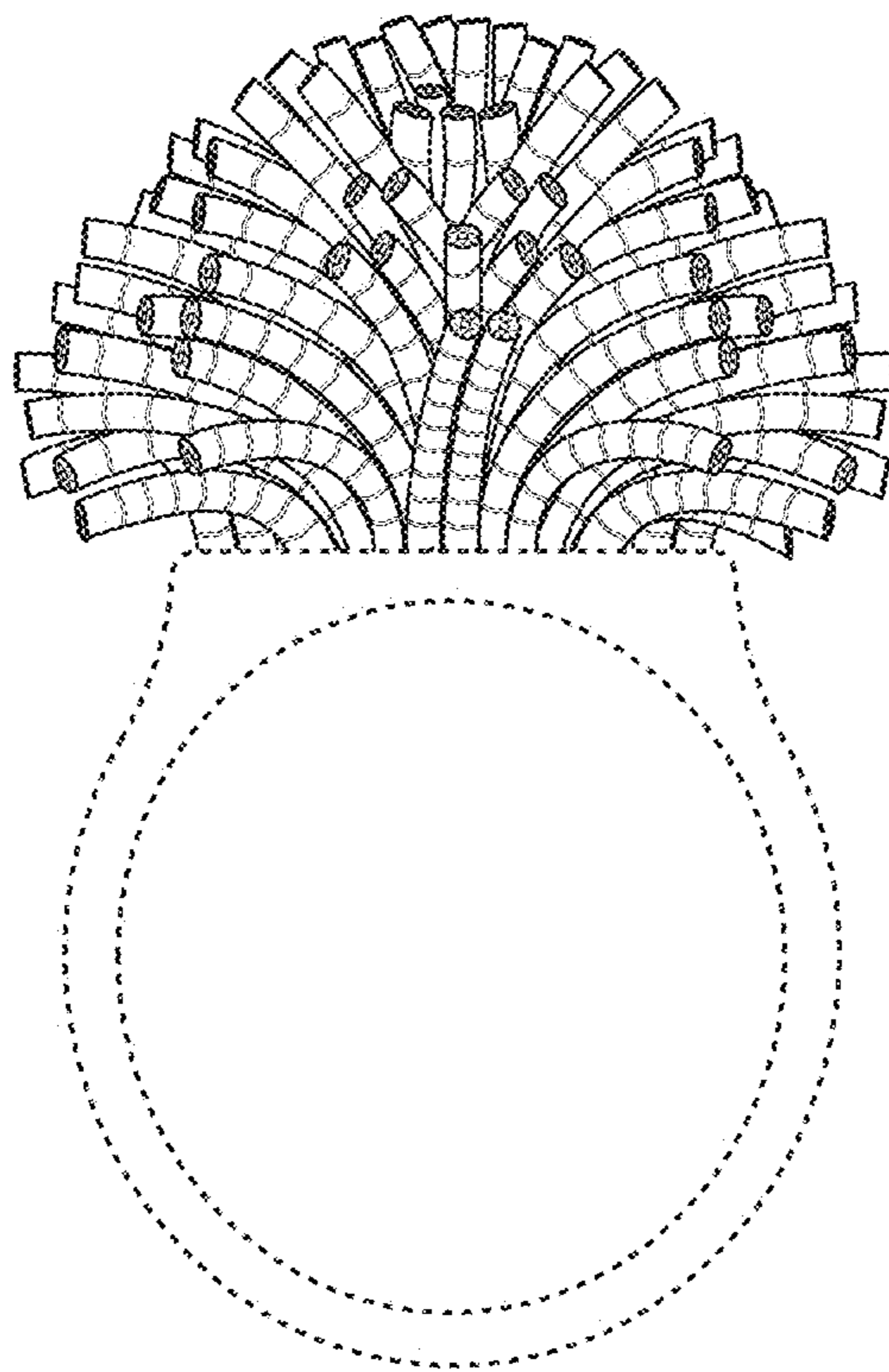


FIG. 2

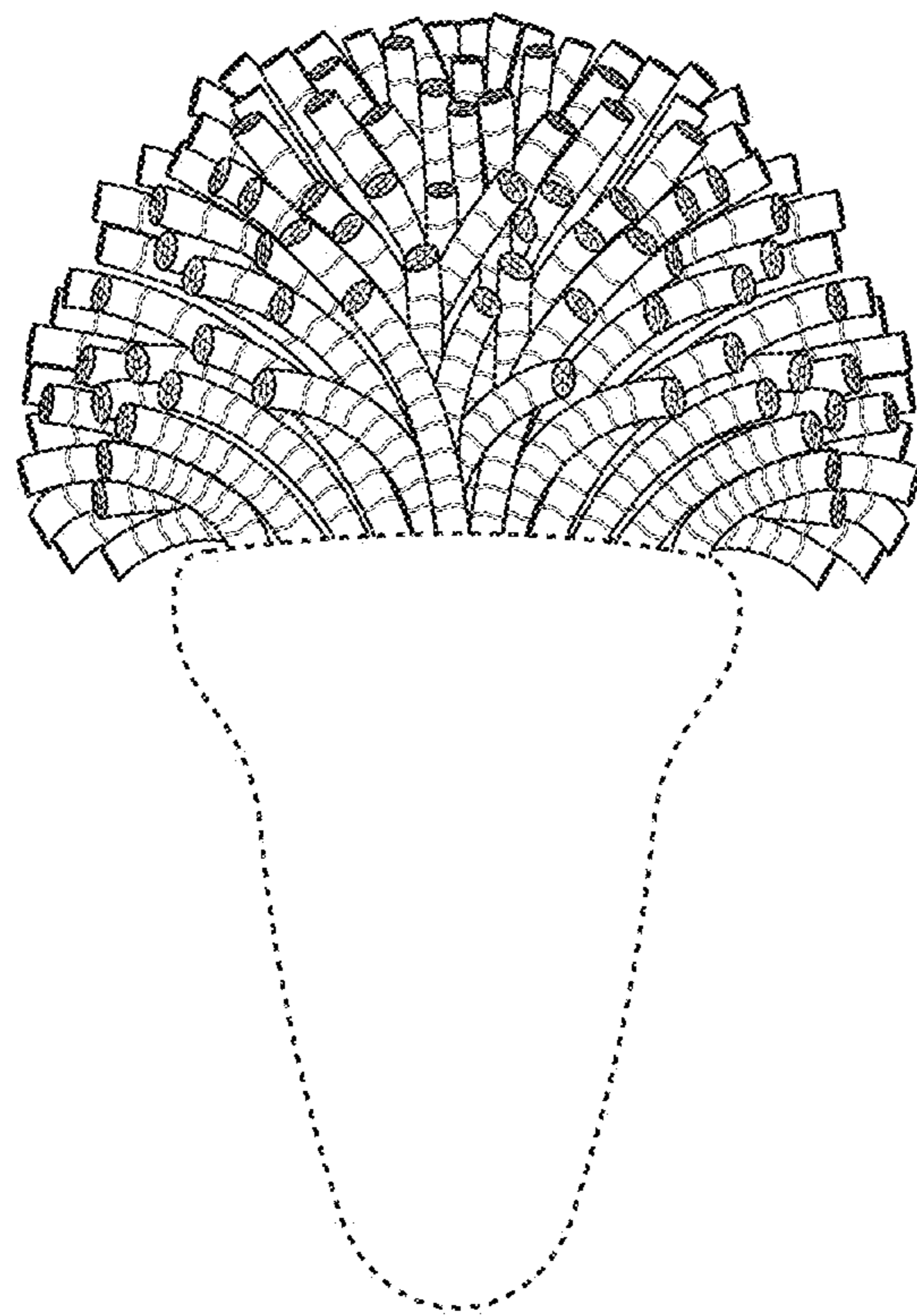


FIG. 3

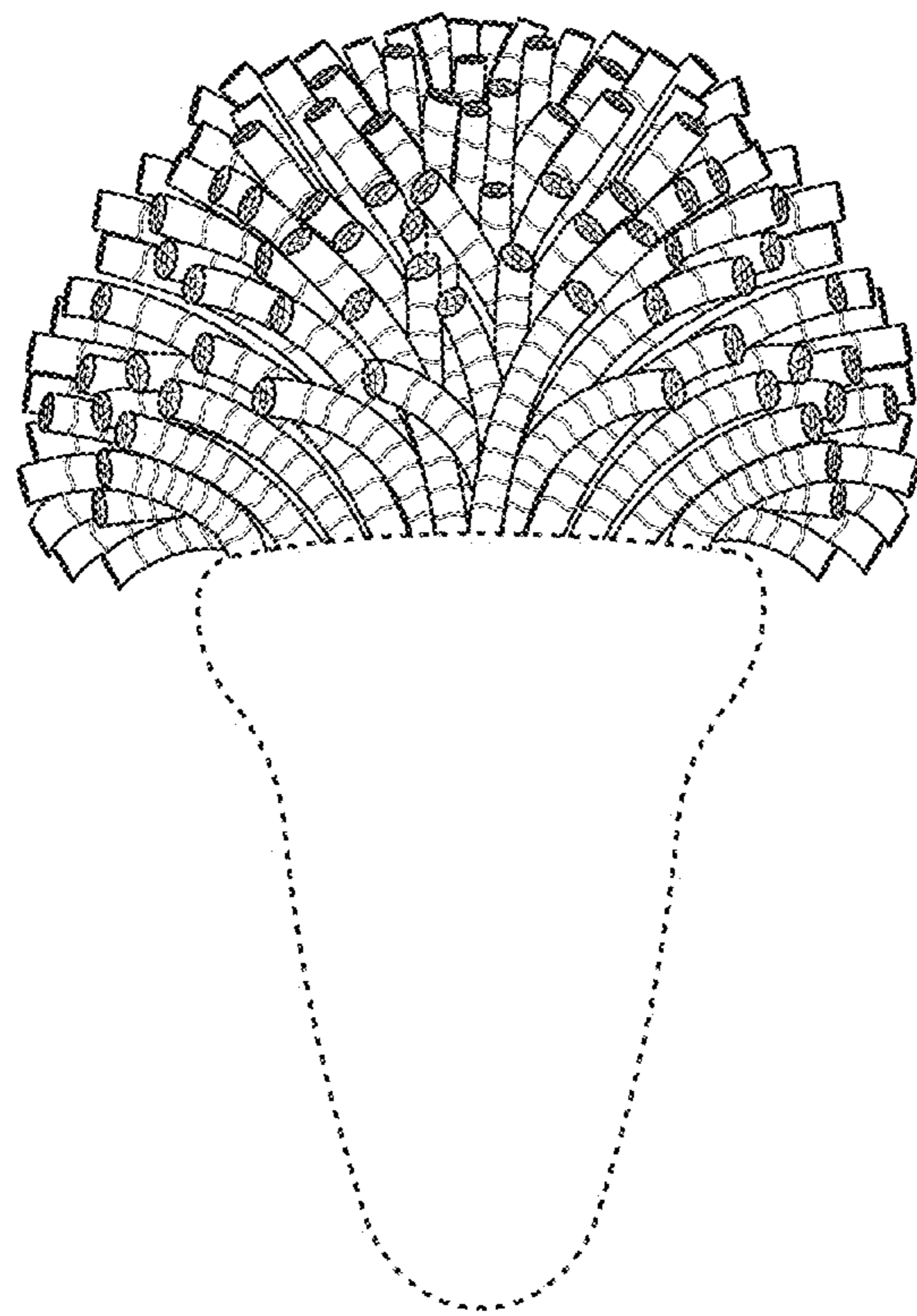
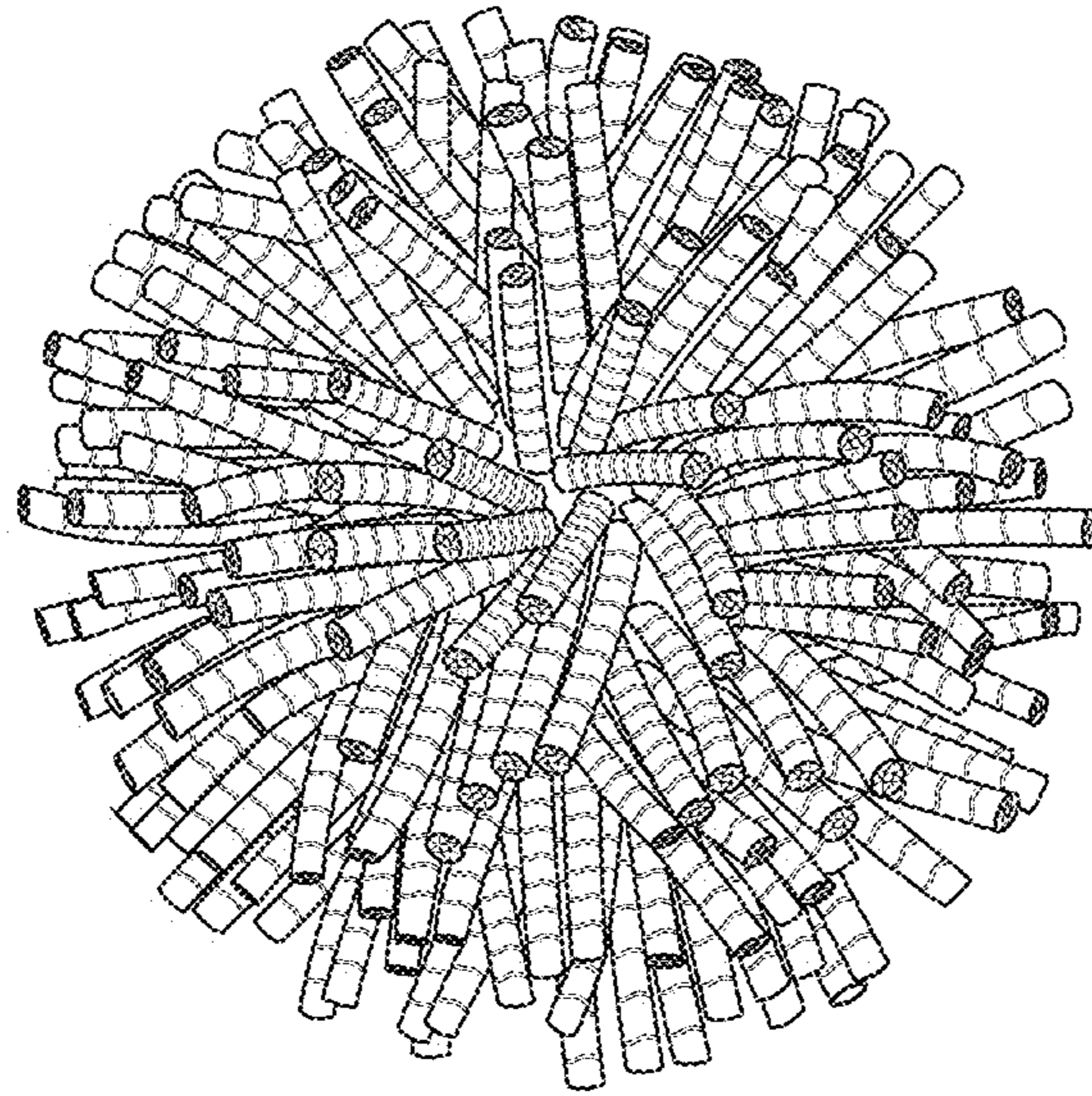
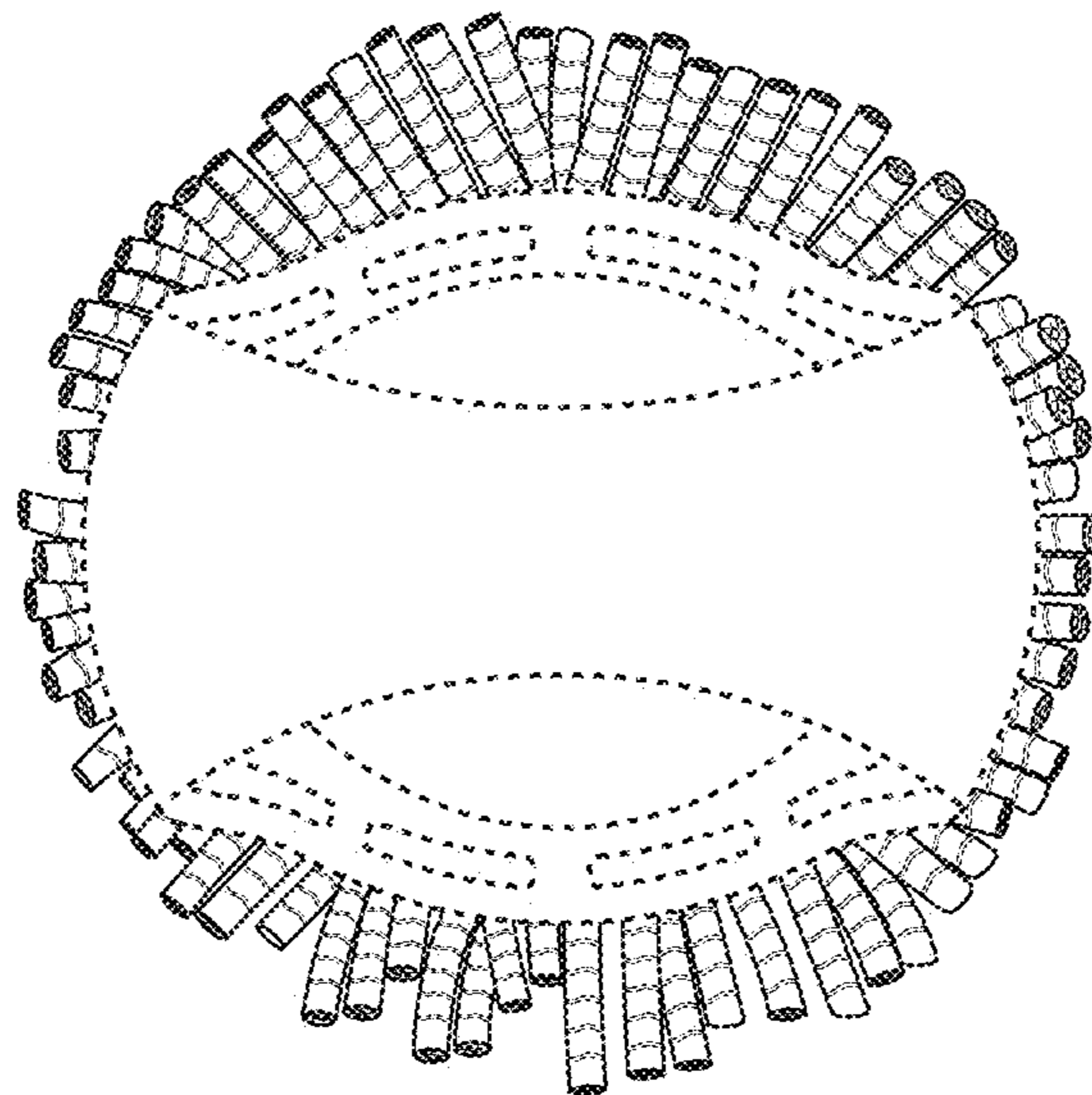


FIG. 4



**FIG. 5**



**FIG. 6**

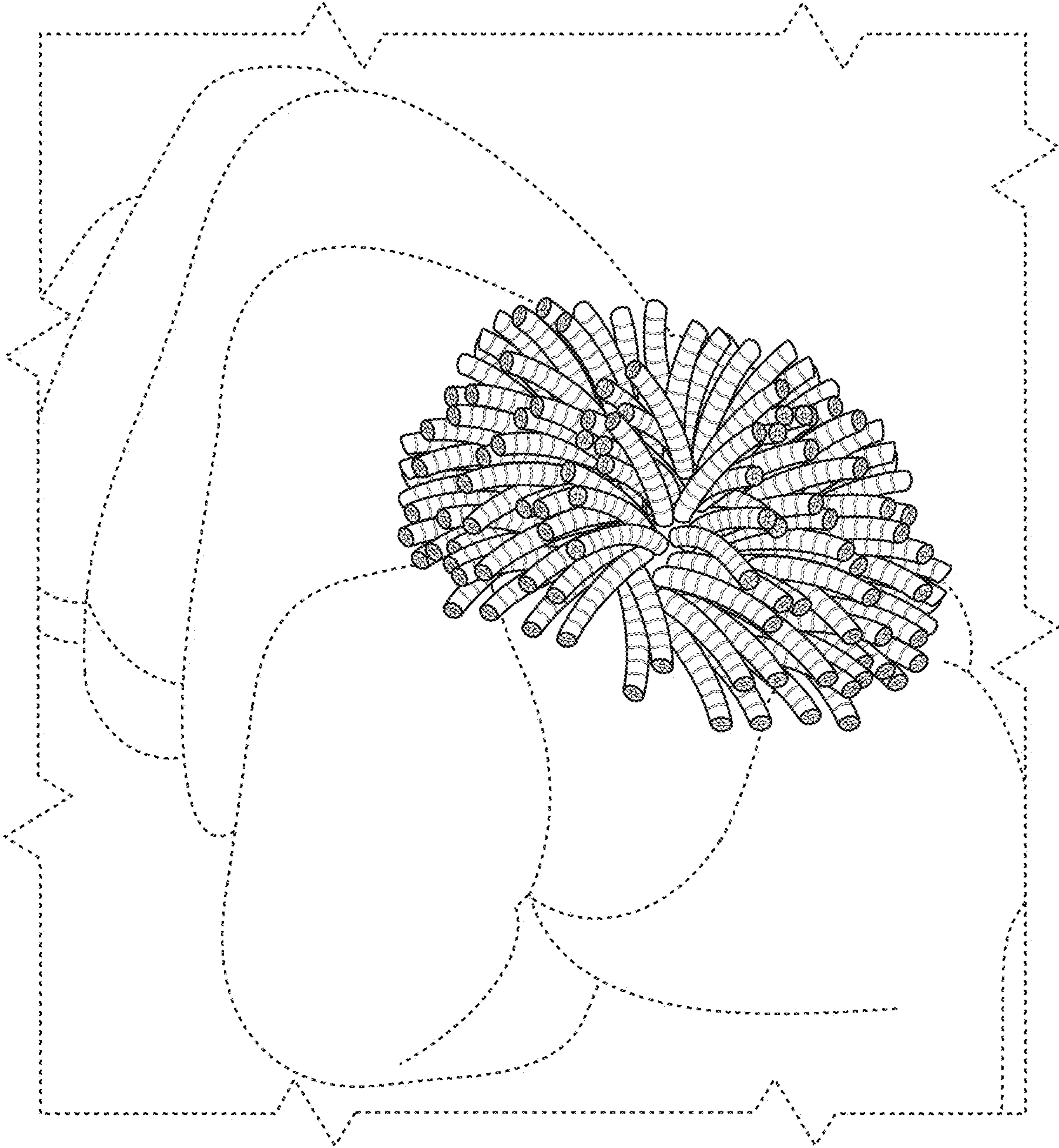


FIG. 7