



US00D952499S

(12) **United States Design Patent**  
**Akana et al.**

(10) **Patent No.:** **US D952,499 S**

(45) **Date of Patent:** **\*\* May 24, 2022**

(54) **BAND**

(71) Applicant: **Apple Inc.**, Cupertino, CA (US)

(72) Inventors: **Jody Akana**, San Francisco, CA (US);  
**Bartley K. Andre**, Palo Alto, CA (US);  
**Shota Aoyagi**, San Francisco, CA (US);  
**Anthony Michael Ashcroft**, San Francisco, CA (US);  
**Jeremy Bataillou**, San Francisco, CA (US);  
**Daniel J. Coster**, San Francisco, CA (US);  
**Daniele De Iuliis**, San Francisco, CA (US);  
**M. Evans Hankey**, San Francisco, CA (US);  
**Julian Hoenig**, San Francisco, CA (US);  
**Richard P. Howarth**, San Francisco, CA (US);  
**Jonathan P. Ive**, San Francisco, CA (US);  
**Duncan Robert Kerr**, San Francisco, CA (US);  
**Marc A. Newson**, London (GB);  
**Matthew Dean Rohrbach**, San Francisco, CA (US);  
**Peter Russell-Clarke**, San Francisco, CA (US);  
**Benjamin Andrew Shaffer**, San Jose, CA (US);  
**Mikael Silvano**, San Francisco, CA (US);  
**Christopher J. Stringer**, Woodside, CA (US);  
**Eugene Antony Whang**, San Francisco, CA (US);  
**Rico Zörkendörfer**, San Francisco, CA (US)

(73) Assignee: **Apple Inc.**, Cupertino, CA (US)

(\*\*) Term: **15 Years**

(21) Appl. No.: **29/685,252**

(22) Filed: **Mar. 27, 2019**

**Related U.S. Application Data**

(63) Continuation of application No. 29/675,967, filed on Jan. 7, 2019, which is a continuation of application No. 29/596,962, filed on Mar. 13, 2017, now Pat. No. Des. 837,674, which is a continuation of application No. 29/578,797, filed on Sep. 23, 2016, now Pat. No.

Des. 781,171, which is a continuation of application No. 29/559,671, filed on Mar. 30, 2016, now Pat. No. Des. 768,025, which is a continuation of application No. 29/519,392, filed on Mar. 4, 2015, now Pat. No. Des. 753,008, which is a continuation of application No. 29/498,994, filed on Aug. 11, 2014, now Pat. No. Des. 727,198, and a continuation of application No. 29/556,094, filed on Feb. 26, 2016, now Pat. No. Des. 768,030, which is a continuation of application No. 29/523,808, filed on Apr. 14, 2015, now Pat. No. Des. 750,524, which is a continuation of application No. 29/498,994, filed on Aug. 11, 2014, now Pat. No. Des. 727,198.

(51) **LOC (13) Cl.** ..... **11-01**

(52) **U.S. Cl.**  
USPC ..... **D11/3**

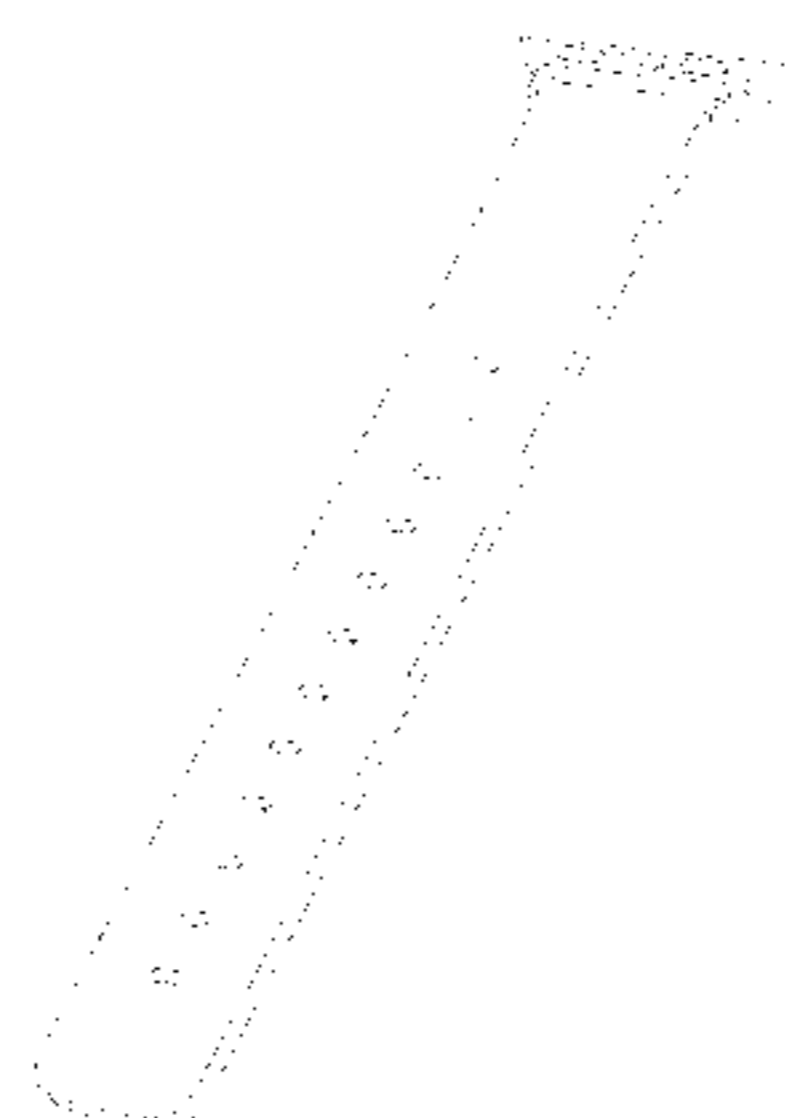
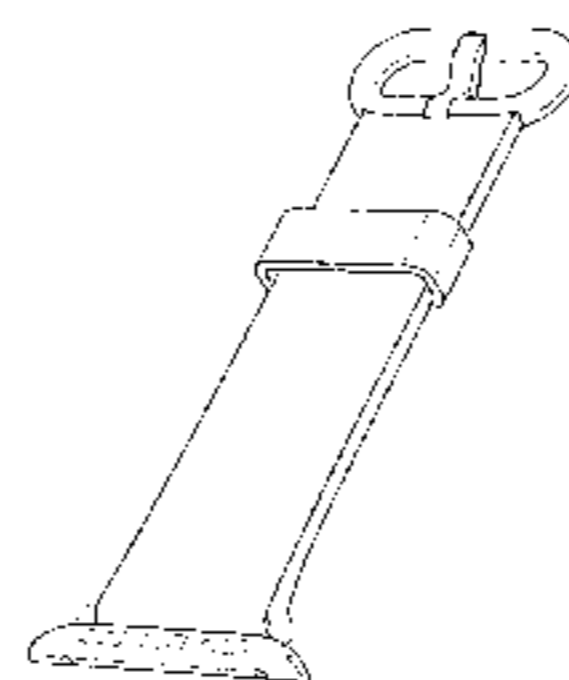
(58) **Field of Classification Search**  
USPC ..... D11/1-25, 86, 93, 94; D10/30-39, 70, D10/46; D24/186, 167; D14/344  
CPC .... G04B 37/1486; G04B 37/16; G04B 37/18; G04B 37/14; A44C 5/14; A44C 5/0053; A44C 5/0069; A44C 5/0076; A44C 5/00; A44C 5/0007; A44C 5/0015; A44C 5/0023; A44C 5/003; A44C 5/0061; A44C 5/12; A44C 5/147; A44C 5/18; A44C 5/185

See application file for complete search history.

(56) **References Cited**

**U.S. PATENT DOCUMENTS**

D30,717 S	5/1899	Smith
D34,126 S	2/1901	Vehring
795,308 A	7/1905	Anton
D73,647 S	10/1927	Dinstman
1,725,786 A	8/1929	Eklund
2,280,490 A	4/1942	Keltie
2,397,797 A	4/1946	Curto
2,420,435 A	5/1947	Lackow
2,439,274 A	4/1948	Theodore
D175,630 S	9/1955	Nienaber
3,030,686 A	4/1962	Burkhardt
3,609,963 A	10/1971	Minoru
3,665,565 A	5/1972	Kruger
3,675,284 A	7/1972	Rieth
D229,335 S	11/1973	Lynn



# US D952,499 S

D303,635 S 9/1989 Kurzina et al.  
 D305,743 S 1/1990 Hirsch  
 D306,981 S 4/1990 Bettelini  
 D310,035 S 8/1990 Braun et al.  
 D314,527 S 2/1991 Kaneko  
 D317,413 S 6/1991 Veronesi  
 D320,356 S 10/1991 Boyer et al.  
 D323,783 S 2/1992 Margaritelli  
 D331,020 S 11/1992 Ishii et al.  
 5,363,351 A 11/1994 Carney  
 D365,533 S 12/1995 Burgener  
 5,574,701 A 11/1996 Harilela  
 D377,613 S 1/1997 Consolo  
 D377,914 S 2/1997 Riley  
 D379,327 S 5/1997 Navera  
 D379,775 S 6/1997 Gazzola  
 D379,940 S 6/1997 Riley  
 D382,819 S 8/1997 Shapiro et al.  
 D383,985 S 9/1997 Davenport  
 D386,980 S 12/1997 Houlihan  
 D391,882 S 3/1998 Roales  
 5,886,669 A 3/1999 Kita  
 D409,504 S 5/1999 Collier  
 D426,486 S 6/2000 Kubo et al.  
 D440,901 S 4/2001 Bruce et al.  
 6,219,303 B1 4/2001 Morohoshi et al.  
 D441,680 S 5/2001 Bruce et al.  
 6,238,083 B1 5/2001 Hirano et al.  
 D455,662 S 4/2002 Johnston et al.  
 D473,818 S 4/2003 Salvisberg  
 D494,098 S 8/2004 Cohen  
 6,801,476 B2 10/2004 Gilmour  
 D535,205 S 1/2007 Frederick et al.  
 7,275,667 B2 10/2007 Bertucci  
 D564,904 S 3/2008 Leung  
 D571,550 S 6/2008 Valle  
 D622,164 S 8/2010 Mikkelsen  
 D631,373 S 1/2011 Mikkelsen  
 D643,772 S 8/2011 Mikkelsen  
 8,601,784 B2 12/2013 Kaltenrieder  
 8,613,544 B2 12/2013 Kitahara et al.  
 D708,549 S 7/2014 Kao  
 D715,163 S 10/2014 Jamin  
 D715,674 S 10/2014 Squires  
 D719,467 S 12/2014 Bradbury  
 D720,249 S 12/2014 Park et al.  
 8,960,510 B2 2/2015 Bertucci  
 D724,469 S 3/2015 Akana et al.  
 D727,197 S 4/2015 Akana et al.  
 D727,198 S 4/2015 Akana et al.  
 D727,199 S 4/2015 Akana et al.  
 D727,787 S 4/2015 Akana et al.  
 D728,406 S 5/2015 Cerrato  
 D728,407 S 5/2015 Cerrato  
 D729,681 S 5/2015 Lee  
 D731,346 S 6/2015 Akana et al.  
 D732,022 S 6/2015 Song  
 D732,414 S 6/2015 Cerrato  
 D732,416 S 6/2015 Akana et al.  
 D737,156 S 8/2015 Akana et al.  
 D737,157 S 8/2015 Akana et al.  
 D737,158 S 8/2015 Akana et al.  
 D737,159 S 8/2015 Akana et al.  
 D738,250 S 9/2015 Cerrato  
 D739,780 S 9/2015 Akana et al.  
 D744,356 S 12/2015 Akana et al.  
 D745,421 S 12/2015 Akana et al.  
 D746,707 S 1/2016 Akana et al.  
 D747,997 S 1/2016 Akana et al.  
 D748,008 S 1/2016 Akana et al.  
 D748,009 S 1/2016 Akana et al.  
 D748,010 S 1/2016 Akana et al.  
 D748,527 S 2/2016 Akana et al.  
 D749,009 S 2/2016 Akana et al.  
 D749,460 S 2/2016 Akana et al.  
 D750,524 S 3/2016 Akana et al.  
 D751,070 S 3/2016 Akana et al.  
 D753,008 S 4/2016 Akana et al.  
 D755,662 S 5/2016 Akana et al.

D756,357 S 5/2016 Akana et al.  
 D759,725 S 6/2016 Akana et al.  
 D763,719 S 8/2016 Nielsen et al.  
 D764,340 S 8/2016 Akana et al.  
 D766,752 S 9/2016 Akana et al.  
 D767,435 S 9/2016 Lee  
 D767,436 S 9/2016 Goodner et al.  
 D768,025 S 10/2016 Akana et al.  
 D768,030 S 10/2016 Akana et al.  
 D771,035 S 11/2016 Akana et al.  
 D771,036 S 11/2016 Akana et al.  
 D771,038 S 11/2016 Akana et al.  
 D777,163 S 1/2017 Akana et al.  
 D781,171 S 3/2017 Akana et al.  
 D789,822 S 6/2017 Akana et al.  
 D791,188 S 7/2017 Akana et al.  
 D802,465 S 11/2017 Dukerschein et al.  
 D828,835 S 9/2018 Akana et al.  
 D837,206 S \* 1/2019 Guan ..... D14/344  
 D837,674 S \* 1/2019 Akana ..... D11/3  
 D861,679 S \* 10/2019 Riot ..... D14/344  
 D879,646 S \* 3/2020 Lin ..... D11/3  
 D885,958 S \* 6/2020 Akana ..... D10/32  
 D898,603 S \* 10/2020 Nauroy ..... D11/3  
 D900,809 S \* 11/2020 Gao ..... D14/344  
 D900,810 S \* 11/2020 Ke ..... D14/344  
 D901,493 S \* 11/2020 Gao ..... D14/344  
 D904,920 S \* 12/2020 Harms ..... D14/344  
 D909,227 S \* 2/2021 Riot ..... D11/3  
 D909,369 S \* 2/2021 Wu ..... D14/344  
 D912,665 S \* 3/2021 Zhang ..... D14/344  
 D919,468 S \* 5/2021 Chao ..... D11/3  
 D920,830 S \* 6/2021 Chao ..... D11/3  
 D923,622 S \* 6/2021 Akana ..... D14/344  
 D945,301 S \* 3/2022 Chen ..... D11/3  
 2001/0017663 A1 8/2001 Yamaguchi et al.  
 2002/0051075 A1 5/2002 Yamaguchi et al.  
 2007/0070823 A1 3/2007 Sima  
 2011/0197400 A1 8/2011 Chevrolet  
 2014/0096345 A1 4/2014 Tschumi  
 2014/0098649 A1 4/2014 Tschumi  
 2017/0188669 A1 7/2017 Dukerschein et al.

## FOREIGN PATENT DOCUMENTS

DE	19513647 A1	10/1995
EP	001109706-0025	5/2009
EP	2636328 A1	9/2013
GB	618917 A	3/1949
GB	1056574	8/1989
GB	2047767	9/1995
GB	2049316	12/1995
GB	2082277	6/1999
JP	D1126907	11/2001
JP	D1337795	8/2008
JP	D1423962	9/2011
JP	D1433115	2/2012
JP	D1448029	8/2012
JP	D1462747	2/2013
WO	WO-DM/012262-001	1/1989
WO	WO-DM/049450-002	12/1999
WO	WO-DM/079044-003	9/2012
WO	WO-2013182397 A1	12/2013

## OTHER PUBLICATIONS

etsy.com, “1 Set Silver End Cap Clasp—Findings Large Toggle Clasp End Caps Buckle Connector with Five Inside Loops for Jewelry Making 26mm,” <<http://www.etsy.com/listing/101269004/1-set-silver-end-cap-clasp-findings?ref=market>>, Listed on Aug. 29, 2014, accessed Oct. 9, 2014.  
 “Field Ops Watch Band Kit” <<http://www.511tactical.com/field-ops-watch-band-kit.html>>, accessed Nov. 25, 2014.  
 Hiemstra, Graham, “Worn & Wound Model 1 Horween Watch Strap,” <<http://www.coolhunting.com/style/worn-wound-model-1-horween-watch-strap>>, dated Aug. 27, 2013, accessed Nov. 25, 2014.

Hilbourne, Jason, "Wide Body: straps for Pebble," <<https://www.kickstarter.com/projects/1171859847/wide-body-straps-for-pebble>>. Listed Apr. 2, 2013, accessed Nov. 25, 2014.

Metawatch, "Frame—Black (MW3005)," <<http://meta.watch/collections/smartwatch-all/products/frame-ss-black-leather>>, accessed Dec. 15, 2014.

[Online] [http://a.abcnews.com/images/Business/HT\\_gold\\_apple\\_iwatch\\_jef\\_140909\\_4x3\\_992.jpg](http://a.abcnews.com/images/Business/HT_gold_apple_iwatch_jef_140909_4x3_992.jpg), Retrieved on Feb. 4, 2015, 1 page.

[Online] <http://cdn.macrumors.com/article-new/2014/09/applewatchstainless38mm-800x371.jpg>. Retrieved Jun. 9, 2016.

[Online] <http://core0.staticworld.net/images/article/2014/09/apple-watch-edition-black-100413455-medium.jpg>. Retrieved Jun. 9, 2016.

[Online] <http://ecx.images-amazon.com/images/I/41XGUSNQEYL.jpg>. Retrieved Aug. 18, 2015.

[Online] [http://www.sammaselec.com/photo/pl2595981-leather\\_apple\\_watch\\_band\\_classic\\_buckle\\_with\\_adapter\\_in\\_different\\_colors\\_and\\_leather\\_types.jpg](http://www.sammaselec.com/photo/pl2595981-leather_apple_watch_band_classic_buckle_with_adapter_in_different_colors_and_leather_types.jpg). Retrieved Aug. 17, 2015.

Pebble, "Pebble Smartwatch," [getpebble.com](https://getpebble.com/checkout), <<https://getpebble.com/checkout>>, accessed Dec. 15, 2014.

"Timex Men's Q7B808 Ironman Triathlon 30-Lap Resin 16mm Replacement Watchband" <[http://www.amazon.com/Timex-Ironman-Triathlon-Replacement-Watchband/dp/B003OPZ5D0/ref=sr\\_1\\_1?s=apparel&ie=UTF8&qid=1416701895&sr=1-1&keywords=Timex+Men%27s+Q7B808+Ironman+Triathlon+30-Lap+Resin+16mm+Replacement+Watchband](http://www.amazon.com/Timex-Ironman-Triathlon-Replacement-Watchband/dp/B003OPZ5D0/ref=sr_1_1?s=apparel&ie=UTF8&qid=1416701895&sr=1-1&keywords=Timex+Men%27s+Q7B808+Ironman+Triathlon+30-Lap+Resin+16mm+Replacement+Watchband)>, accessed Nov. 25, 2014.

Velazco, Chris, "ASUS ZenWatch review: subtle and stylish, with a few shortcomings," Engadget.com, <<http://www.engadget.com/2014/12/11/asus-zenwatch-review/>>, dated Dec. 11, 2014, accessed Dec. 15, 2014.

WatchCat Online Shopping Mall, "PJS Seiko," <[http://m.watchcat.co.kr/board/product/read.html?board\\_no=4&no=27504](http://m.watchcat.co.kr/board/product/read.html?board_no=4&no=27504)>, dated Oct. 26, 2012, accessed Oct. 8, 2015.

WatchCat Online Shopping Mall, "PVD Zulu style Military Nylon band/strap," <[http://www.watchcat.kr/product/detail.html?product\\_no=5162&cate\\_no=642&display\\_group=1](http://www.watchcat.kr/product/detail.html?product_no=5162&cate_no=642&display_group=1)>, dated 2010, accessed Oct. 8, 2015.

\* cited by examiner

*Primary Examiner* — Melanie Pellegrini  
(74) *Attorney, Agent, or Firm* — Sterne, Kessler, Goldstein & Fox P.L.L.C.

(57) **CLAIM**

The ornamental design for a band, as shown and described.

**DESCRIPTION**

FIG. 1 is a bottom front perspective view of a band showing the claimed design;

FIG. 2 is a bottom rear perspective view thereof;

FIG. 3 is a front view thereof;

FIG. 4 is a rear view thereof;

FIG. 5 is a left side view thereof;

FIG. 6 is a right side view thereof;

FIG. 7 is a top view thereof;

FIG. 8 is a bottom view thereof; and,

FIG. 9 is a perspective view thereof in an environment in which it may be used.

The broken lines in the figures show portions of the band and environment that form no part of the claimed design.

**1 Claim, 6 Drawing Sheets**

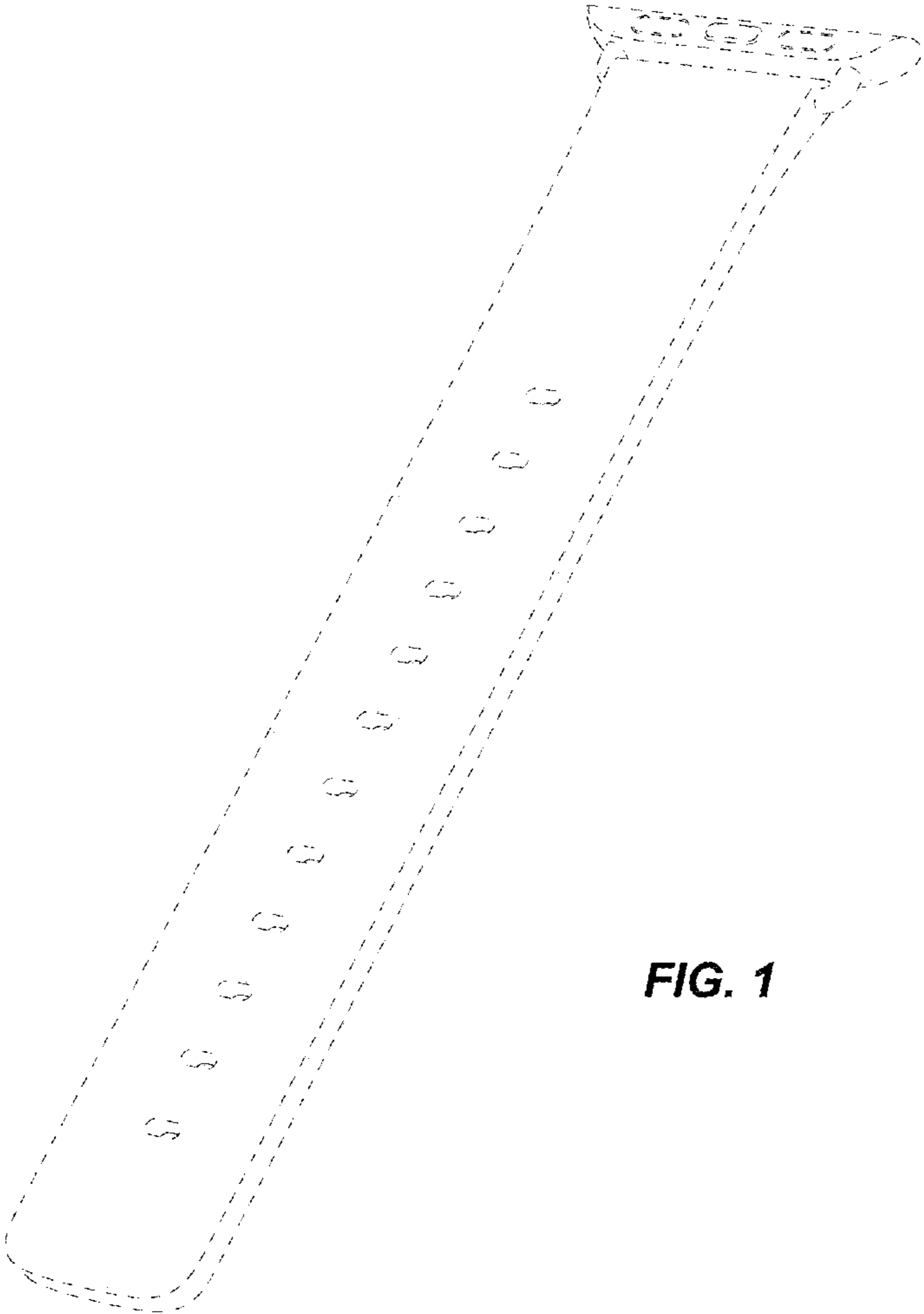
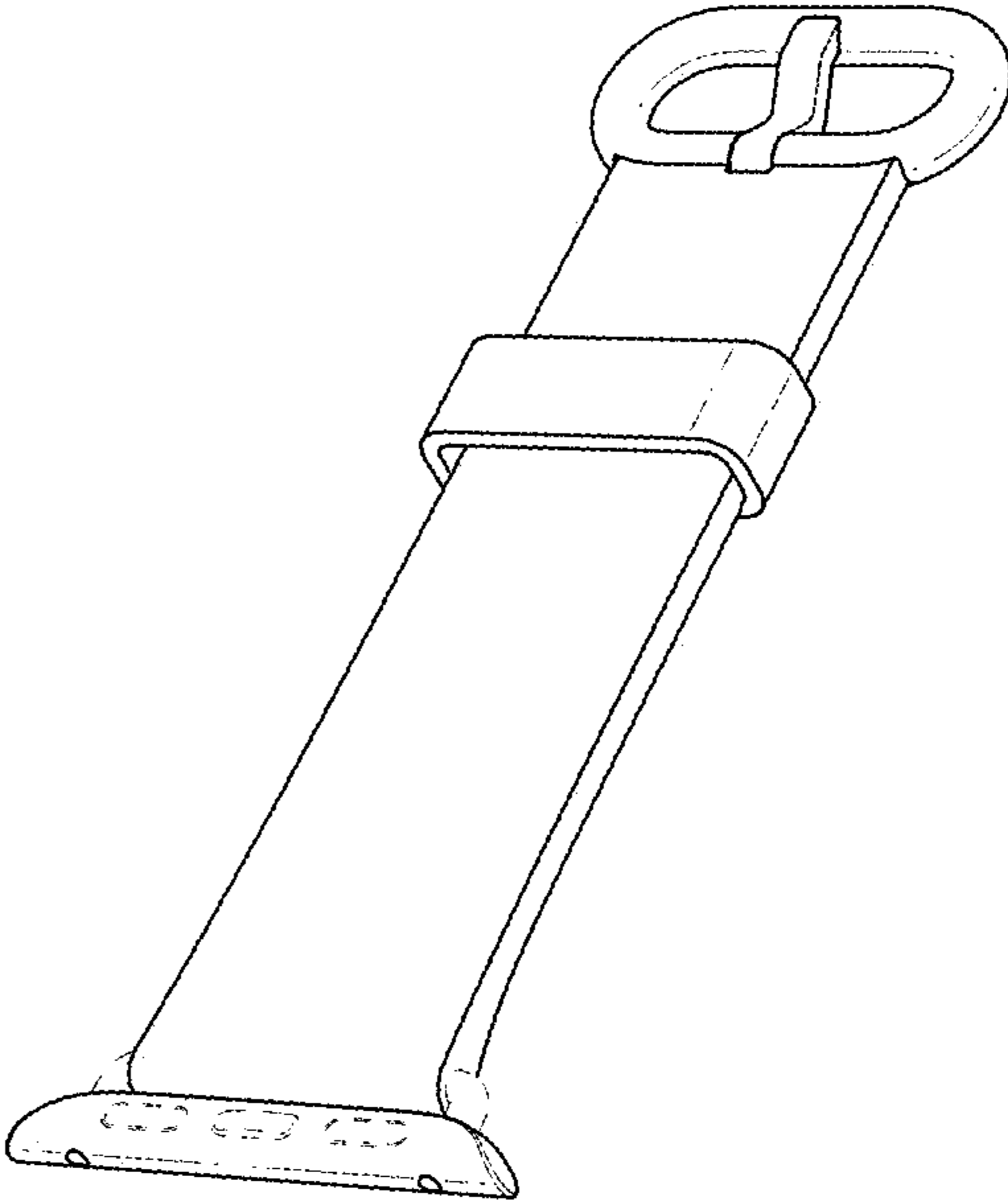


FIG. 1

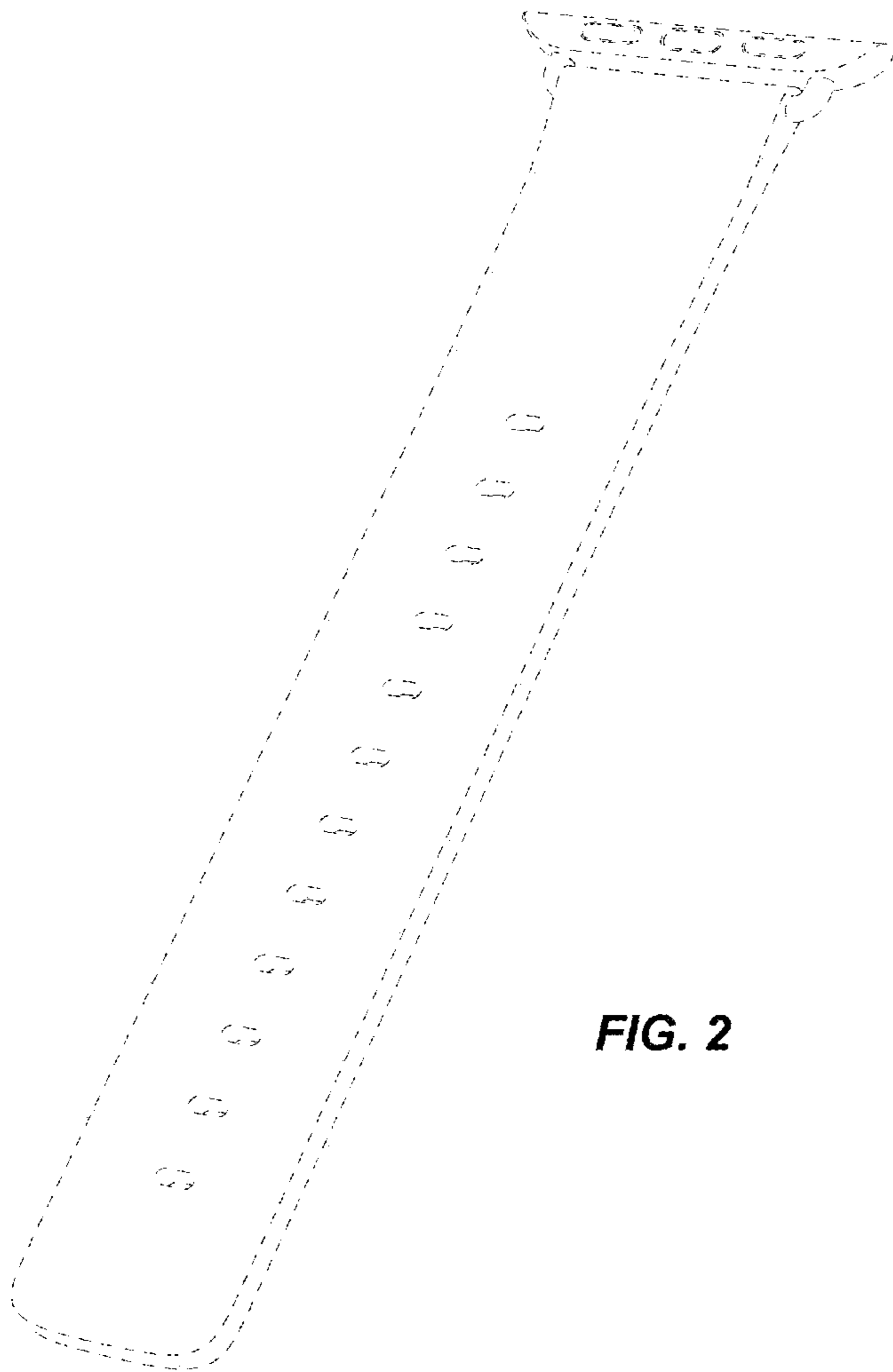
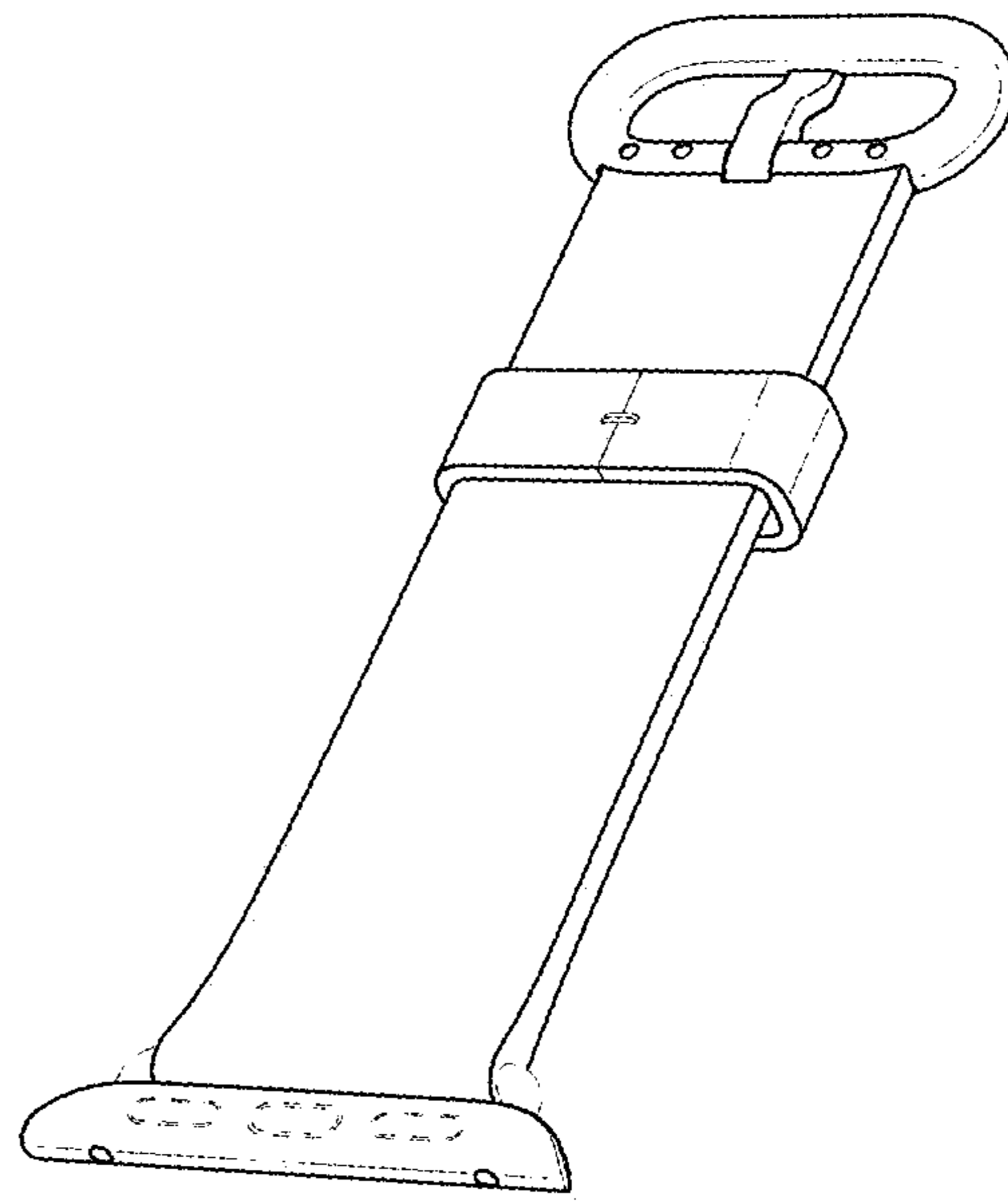
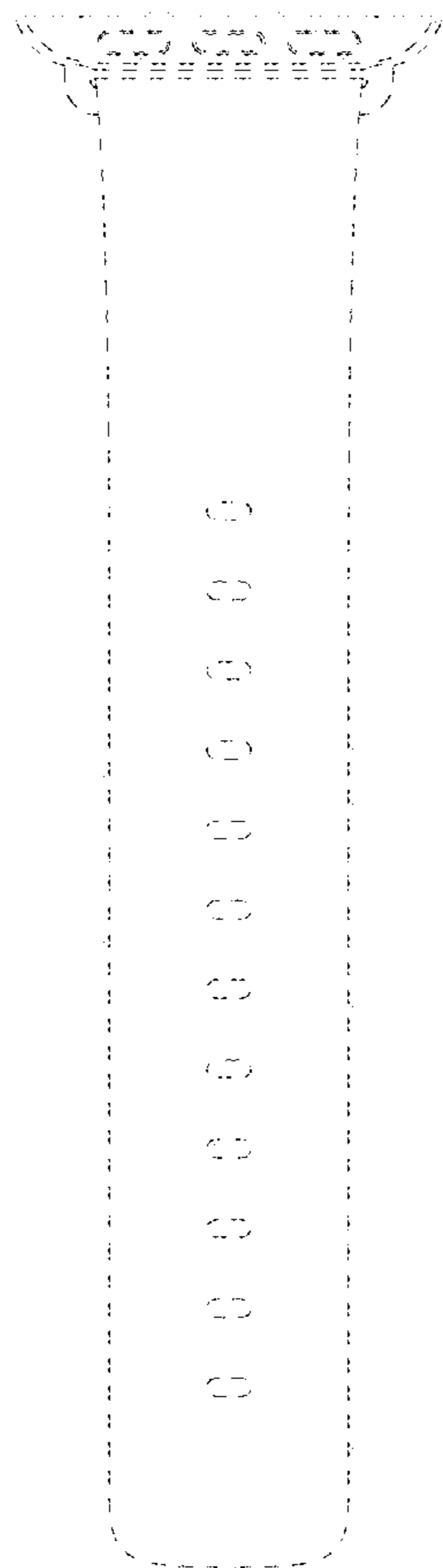
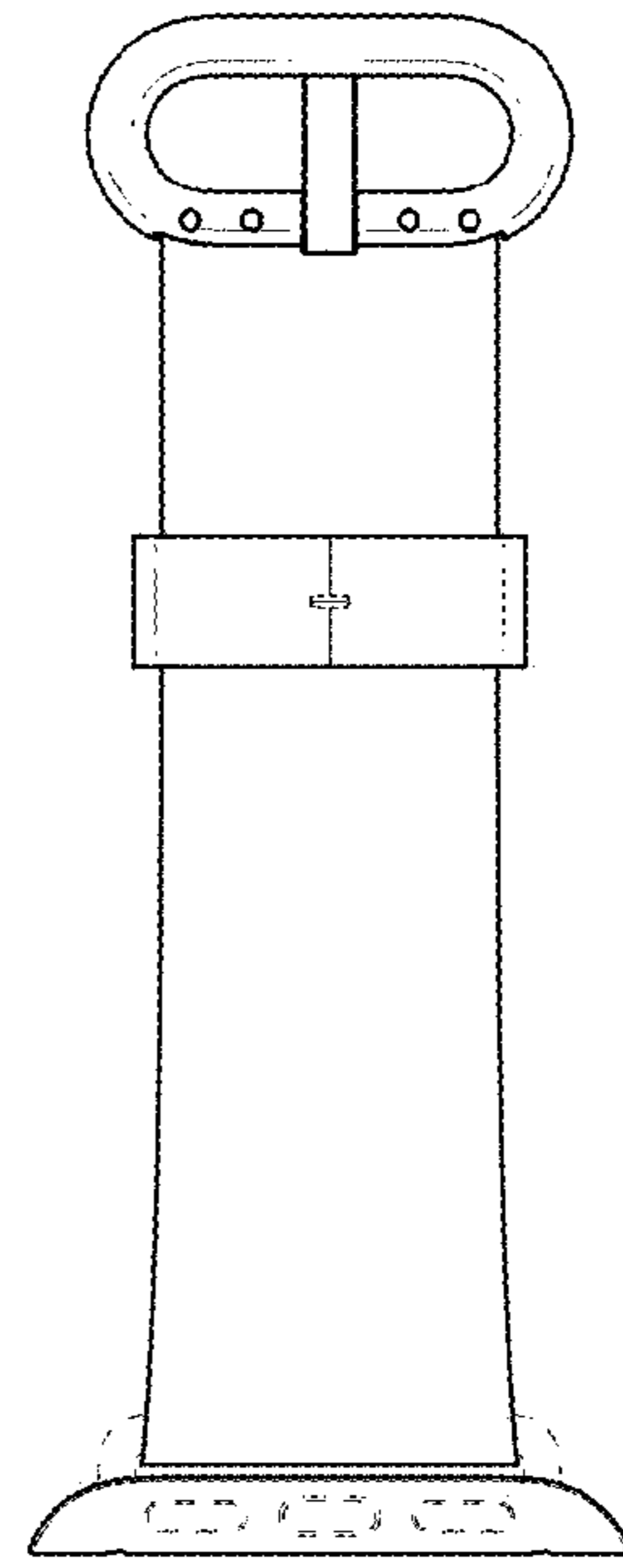
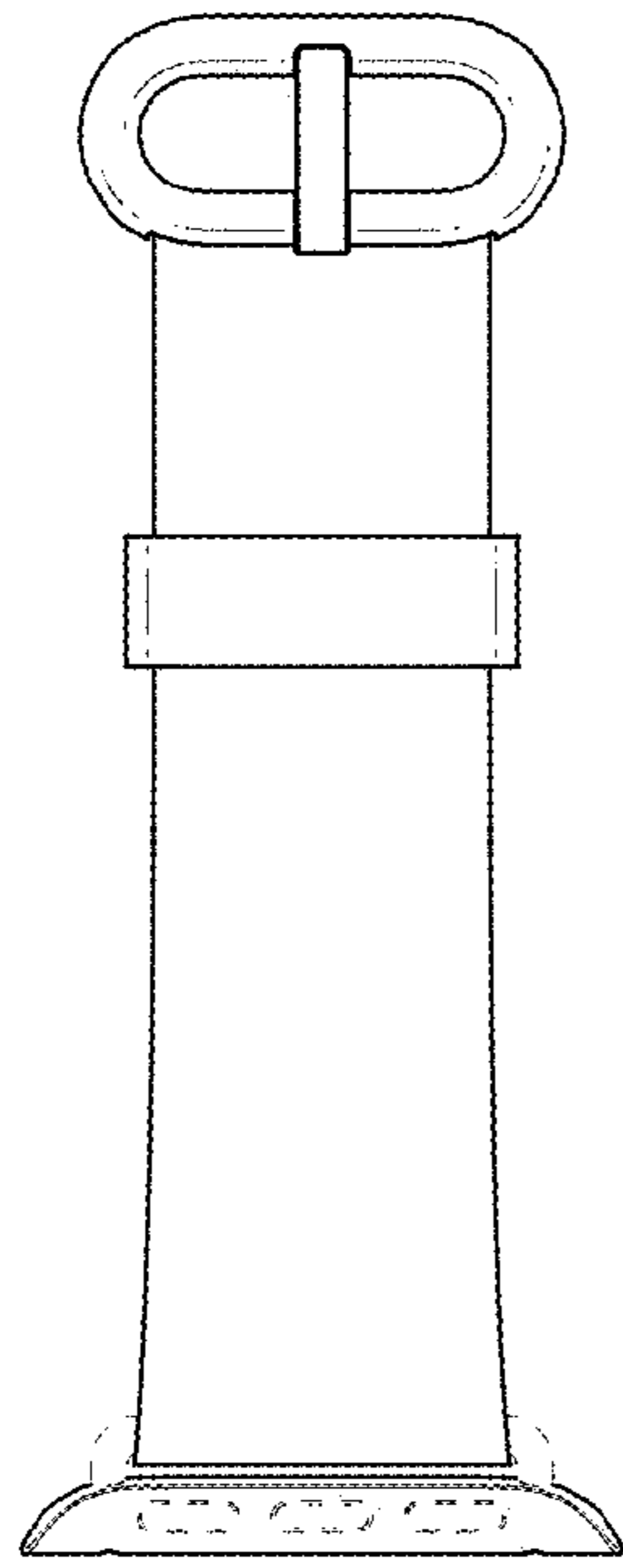
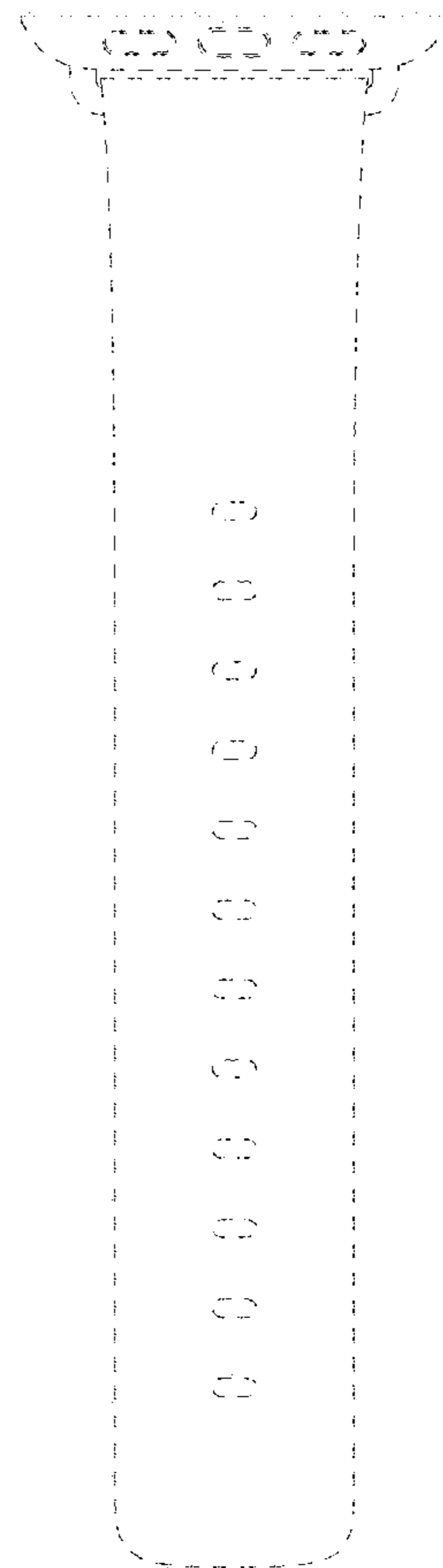


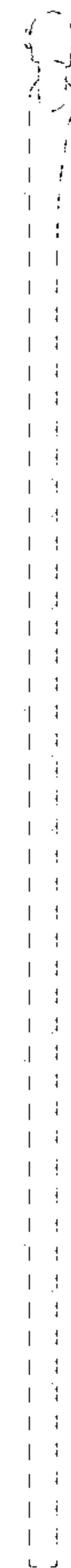
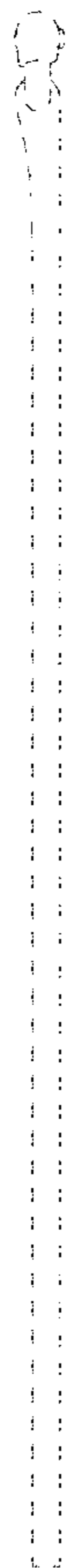
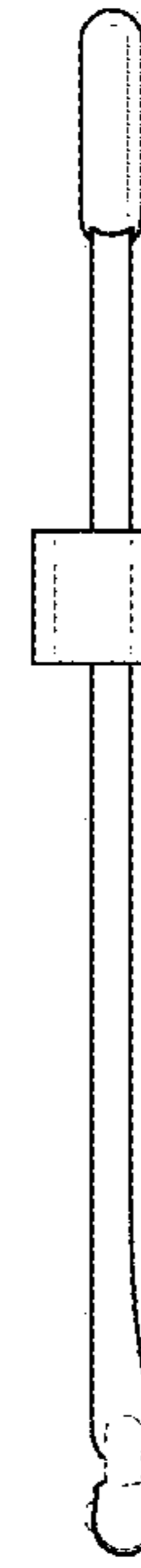
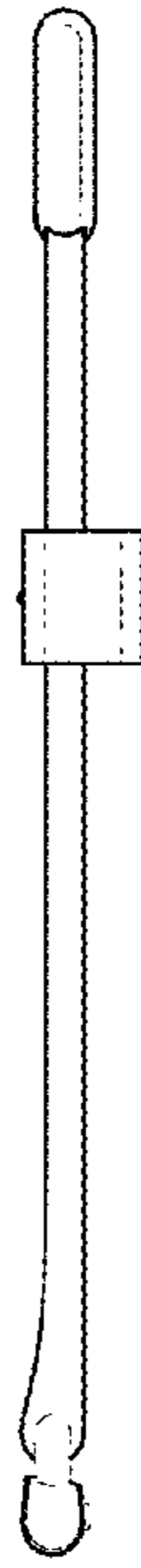
FIG. 2



**FIG. 3**

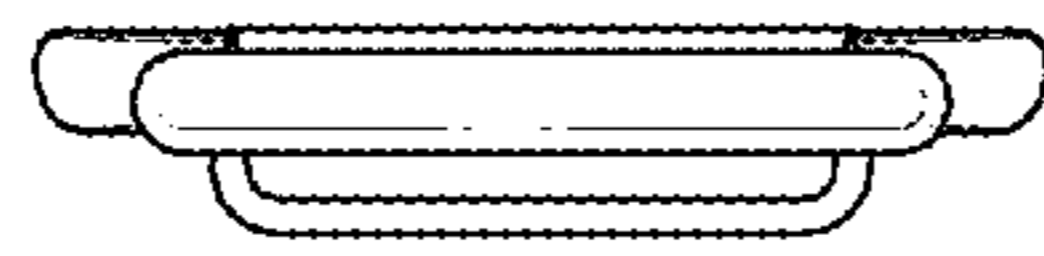


**FIG. 4**

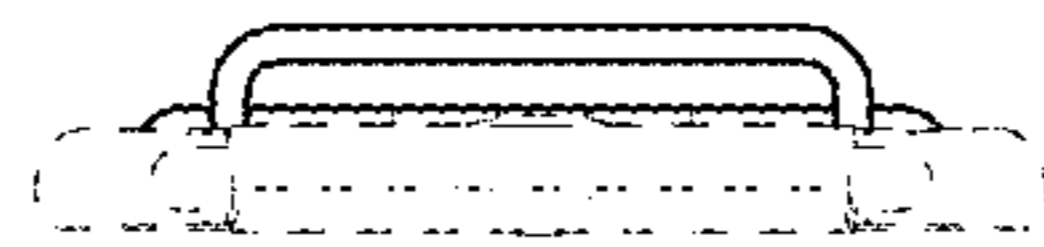


**FIG. 5**

**FIG. 6**

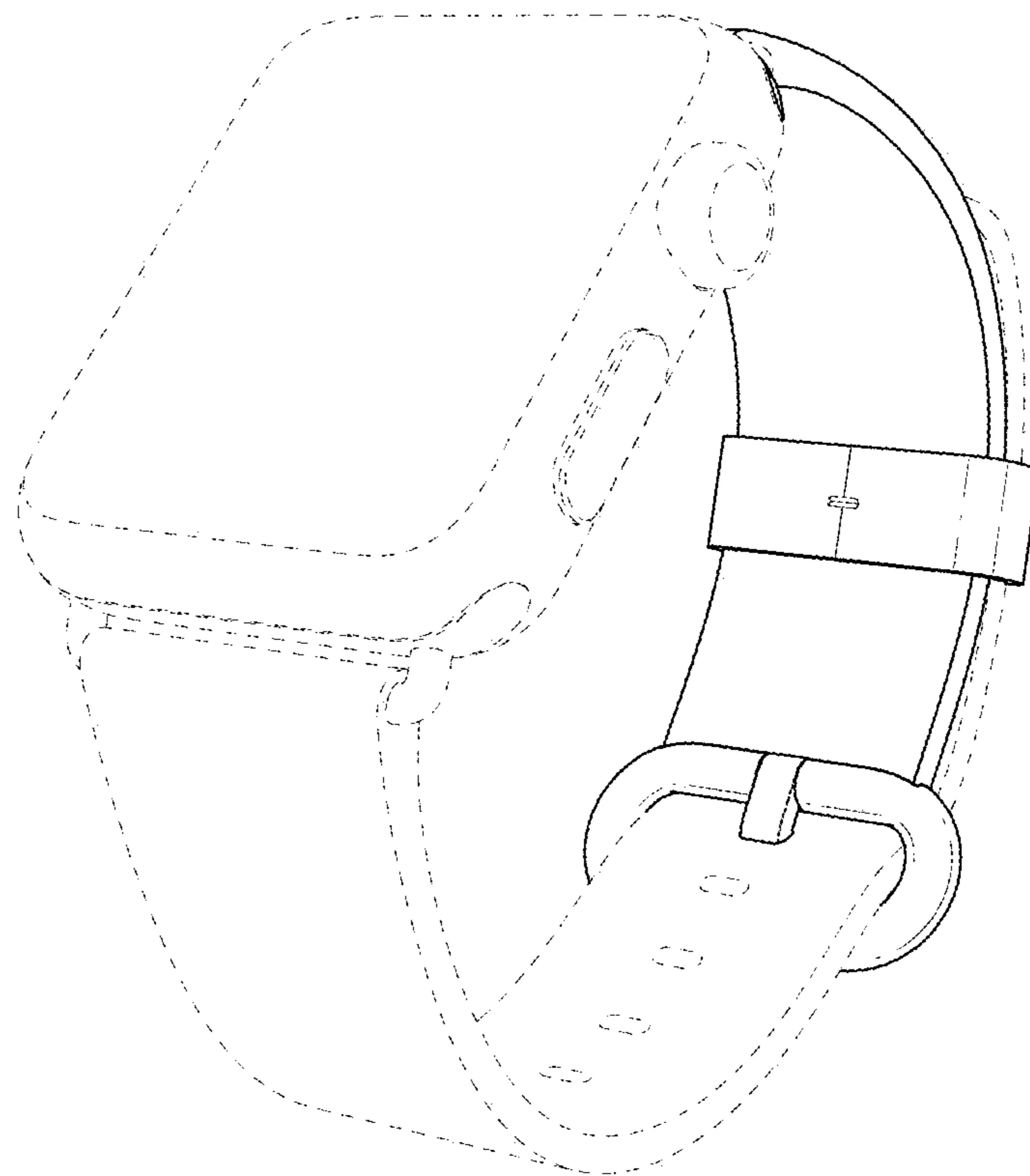


**FIG. 7**



**FIG. 8**





**FIG. 9**