



US00D952498S

(12) **United States Design Patent**
Akana et al.

(10) **Patent No.:** **US D952,498 S**

(45) **Date of Patent:** **** May 24, 2022**

(54) **BAND**

(71) Applicant: **Apple Inc.**, Cupertino, CA (US)

(72) Inventors: **Jody Akana**, San Francisco, CA (US); **Bartley K. Andre**, Palo Alto, CA (US); **Shota Aoyagi**, San Francisco, CA (US); **Anthony Michael Ashcroft**, San Francisco, CA (US); **Jeremy Bataillou**, San Francisco, CA (US); **Daniel J. Coster**, San Francisco, CA (US); **Daniele De Iuliis**, San Francisco, CA (US); **M. Evans Hankey**, San Francisco, CA (US); **Julian Hoenig**, San Francisco, CA (US); **Richard P. Howarth**, San Francisco, CA (US); **Jonathan P. Ive**, San Francisco, CA (US); **Duncan Robert Kerr**, San Francisco, CA (US); **Marc A. Newson**, London (GB); **Matthew Dean Rohrbach**, San Francisco, CA (US); **Peter Russell-Clarke**, San Francisco, CA (US); **Benjamin Andrew Shaffer**, San Jose, CA (US); **Mikael Silvanto**, San Francisco, CA (US); **Christopher J. Stringer**, Woodside, CA (US); **Eugene Antony Whang**, San Francisco, CA (US); **Rico Zörkendörfer**, San Francisco, CA (US)

(73) Assignee: **Apple Inc.**, Cupertino, CA (US)

(**) Term: **15 Years**

(21) Appl. No.: **29/685,250**

(22) Filed: **Mar. 27, 2019**

Related U.S. Application Data

(63) Continuation of application No. 29/675,967, filed on Jan. 7, 2019, which is a continuation of application No. 29/596,962, filed on Mar. 13, 2017, now Pat. No. Des. 837,674, which is a continuation of application No. 29/578,797, filed on Sep. 23, 2016, now Pat. No.

Des. 781,171, which is a continuation of application No. 29/559,671, filed on Mar. 30, 2016, now Pat. No. Des. 768,025, which is a continuation of application No. 29/556,094, filed on Feb. 26, 2016, now Pat. No. Des. 768,030, which is a continuation of application No. 29/523,808, filed on Apr. 14, 2015, now Pat. No. Des. 750,524, said application No. 29/559,671 is a continuation of application No. 29/519,392, filed on Mar. 4, 2015, now Pat. No. Des. 753,008, said application No. 29/523,808 is a continuation of application No. 29/498,994, filed on Aug. 11, 2014, now Pat. No. Des. 727,198, said application No. 29/519,392 is a continuation of application No. 29/498,994, filed on Aug. 11, 2014, now Pat. No. Des. 727,198.

(51) **LOC (13) Cl.** **11-01**

(52) **U.S. Cl.**
USPC **D11/3**

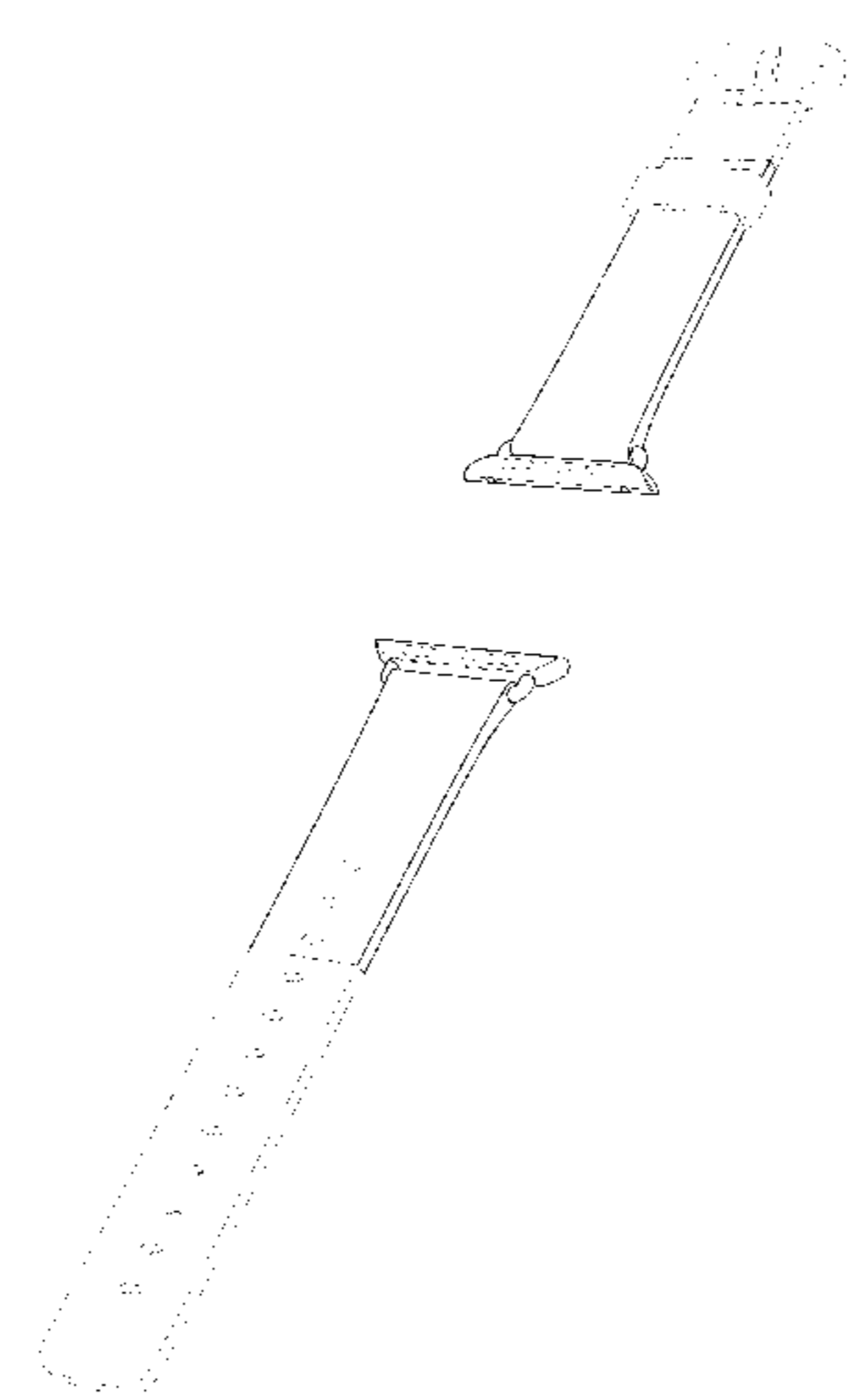
(58) **Field of Classification Search**
USPC D11/1-25, 86, 93, 94; D10/30-39, 70, D10/46; D24/186, 167; D14/344
CPC G04B 37/1486; G04B 37/16; G04B 37/18; G04B 37/14; A44C 5/14; A44C 5/0053; A44C 5/0069; A44C 5/0076; A44C 5/00; A44C 5/0007; A44C 5/0015; A44C 5/0023; A44C 5/003; A44C 5/0061; A44C 5/12; A44C 5/147; A44C 5/18; A44C 5/185

See application file for complete search history.

(56) **References Cited**

U.S. PATENT DOCUMENTS

D30,717 S	5/1899	Smith
D34,126 S	2/1901	Vehring
795,308 A	7/1905	Anton
D73,647 S	10/1927	Dinstman
1,725,786 A	8/1929	Eklund
2,280,490 A	4/1942	Keltie
2,397,797 A	4/1946	Curto
2,420,435 A	5/1947	Lackow
2,439,274 A	4/1948	Theodore
D175,630 S	9/1955	Joseph
3,030,686 A	4/1962	Burkhardt
3,609,963 A	10/1971	Minoru



US D952,498 S

Page 2

3,665,565 A	5/1972	Kruger	D751,070 S	3/2016	Akana et al.
3,675,284 A	7/1972	Rieth	D753,008 S	4/2016	Akana et al.
D229,335 S	11/1973	Steinman	D755,662 S	5/2016	Akana et al.
D303,635 S	9/1989	Kurzina et al.	D756,357 S	5/2016	Akana et al.
D305,743 S	1/1990	Hirsch	D759,725 S	6/2016	Akana et al.
D306,981 S	4/1990	Bettelini	D763,719 S	8/2016	Nielsen et al.
D310,035 S	8/1990	Braun et al.	D764,340 S	8/2016	Akana et al.
D314,527 S	2/1991	Kaneko	D766,752 S	9/2016	Akana et al.
D317,413 S	6/1991	Veronesi	D767,435 S	9/2016	Lee
D320,356 S	10/1991	Boyer et al.	D767,436 S	9/2016	Goodner et al.
D323,783 S	2/1992	Margaritelli	D768,025 S	10/2016	Akana et al.
D331,020 S	11/1992	Ishii et al.	D768,030 S	10/2016	Akana et al.
5,363,351 A	11/1994	Carney	D771,035 S	11/2016	Akana et al.
D365,533 S	12/1995	Burgener	D771,036 S	11/2016	Akana et al.
5,574,701 A	11/1996	Harilela	D771,038 S	11/2016	Akana et al.
D377,613 S	1/1997	Consolo	D777,163 S	1/2017	Akana et al.
D377,914 S	2/1997	Riley	D781,171 S	3/2017	Akana et al.
D379,327 S	5/1997	Navera	D789,822 S	6/2017	Akana et al.
D379,775 S	6/1997	Gazzola	D791,188 S	7/2017	Akana et al.
D379,940 S	6/1997	Riley	D802,465 S	11/2017	Dukerschein et al.
D382,819 S	8/1997	Shapiro et al.	D828,835 S	9/2018	Akana et al.
D383,985 S	9/1997	Davenport	D837,206 S *	1/2019	Guan D14/344
D386,980 S	12/1997	Houlihan	D837,674 S	1/2019	Akana et al.
D391,882 S	3/1998	Roales	D843,864 S *	3/2019	Vandenbussche D10/70
5,886,669 A	3/1999	Kita	D848,894 S *	5/2019	Yu D11/3
D409,504 S	5/1999	Collier	D854,439 S *	7/2019	Dukerschein D11/3
D426,486 S	6/2000	Kubo et al.	D863,094 S *	10/2019	Akana D11/3
D440,901 S	4/2001	Bruce et al.	D879,645 S *	3/2020	Lin D11/3
6,219,303 B1	4/2001	Morohoshi et al.	D879,646 S *	3/2020	Lin D11/3
D441,680 S	5/2001	Bruce et al.	D885,958 S *	6/2020	Akana D10/32
6,238,083 B1	5/2001	Hirano et al.	D895,471 S *	9/2020	Zhang D11/3
D455,662 S	4/2002	Johnston et al.	D898,603 S *	10/2020	Nauroy D11/3
D473,818 S	4/2003	Salvisberg	D900,809 S *	11/2020	Gao D14/344
D494,098 S	8/2004	Cohen	D900,810 S *	11/2020	Ke D14/344
6,801,476 B2	10/2004	Gilmour	D901,493 S *	11/2020	Gao D14/344
D535,205 S	1/2007	Frederick et al.	D909,227 S *	2/2021	Riot D11/3
7,275,667 B2	10/2007	Bertucci	D914,678 S *	3/2021	Zheng D14/344
D564,904 S	3/2008	Leung	D919,468 S *	5/2021	Chao D11/3
D571,550 S	6/2008	Valle	D920,830 S *	6/2021	Chao D11/3
D622,164 S	8/2010	Mikkelsen	D923,622 S *	6/2021	Akana D14/344
D631,373 S	1/2011	Mikkelsen	D926,613 S *	8/2021	Chao D11/3
D643,772 S	8/2011	Mikkelsen	2001/0017663 A1	8/2001	Yamaguchi et al.
8,601,784 B2	12/2013	Kaltenrieder	2002/0051075 A1	5/2002	Yamaguchi et al.
8,613,544 B2	12/2013	Kitahara et al.	2007/0070823 A1	3/2007	Sima
D708,549 S	7/2014	Kao	2011/0197400 A1	8/2011	Chevrolet
D715,163 S	10/2014	Jamin	2014/0096345 A1	4/2014	Tschumi
D715,674 S	10/2014	Squires	2014/0098649 A1	4/2014	Tschumi
D719,467 S	12/2014	Bradbury	2017/0188669 A1	7/2017	Dukerschein et al.
D720,249 S	12/2014	Park et al.			
8,960,510 B2	2/2015	Bertucci			
D724,469 S	3/2015	Akana et al.			
D727,197 S	4/2015	Akana et al.			
D727,198 S	4/2015	Akana et al.			
D727,199 S	4/2015	Akana et al.			
D727,787 S	4/2015	Akana et al.			
D728,406 S	5/2015	Cerrato			
D728,407 S	5/2015	Cerrato			
D729,681 S	5/2015	Lee			
D731,346 S	6/2015	Akana et al.			
D732,022 S	6/2015	Song			
D732,414 S	6/2015	Cerrato			
D732,416 S	6/2015	Akana et al.			
D737,156 S	8/2015	Akana et al.			
D737,157 S	8/2015	Akana et al.			
D737,158 S	8/2015	Akana et al.			
D737,159 S	8/2015	Akana et al.			
D738,250 S	9/2015	Cerrato			
D739,780 S	9/2015	Akana et al.			
D744,356 S	12/2015	Akana et al.			
D745,421 S	12/2015	Akana et al.			
D746,707 S	1/2016	Akana et al.			
D747,997 S	1/2016	Akana et al.			
D748,008 S	1/2016	Akana et al.			
D748,009 S	1/2016	Akana et al.			
D748,010 S	1/2016	Akana et al.			
D748,527 S	2/2016	Akana et al.			
D749,009 S	2/2016	Akana et al.			
D749,460 S	2/2016	Akana et al.			
D750,524 S	3/2016	Akana et al.			

FOREIGN PATENT DOCUMENTS

DE	19513647 A1	10/1995
EP	001109706-0025	5/2009
EP	2636328 A1	9/2013
GB	618917 A	3/1949
GB	1056574	8/1989
GB	2047767	9/1995
GB	2049316	12/1995
GB	2082277	6/1999
JP	D1126907	11/2001
JP	D1337795	8/2008
JP	D1423962	9/2011
JP	D1433115	2/2012
JP	D1448029	8/2012
JP	D1462747	2/2013
WO	WO-DM/012262-001	1/1989
WO	WO-DM/049450-002	12/1999
WO	WO-DM/079044-003	9/2012
WO	WO-2013182397 A1	12/2013

OTHER PUBLICATIONS

etsy.com, “1 Set Silver End Cap Clasp—Findings Large Toggle Clasp End Caps Buckle Connector with Five Inside Loops for Jewelry Making 26mm,” <<http://www.etsy.com/listing/101269004/1-set-silver-end-cap-clasp-findings?ref=market>>, Listed on Aug. 29, 2014, accessed Oct. 9, 2014.

“Field Ops Watch Band Kit”< <http://www.511tactical.com/field-ops-watch-band-kit.html>>, accessed Nov. 25, 2014.

Hiemstra, Graham, “Worn & Wound Model 1 Horween Watch Strap,”<<http://www.coolhunting.com/style/worn-wound-model-1-horween-watch-strap>>, dated Aug. 27, 2013, accessed Nov. 25, 2014.

Hilbourne, Jason, “Wide Body: straps for Pebble,”<<https://www.kickstarter.com/projects/1171859847/wide-body-straps-for-pebble>>, Listed Apr. 2, 2013, accessed Nov. 25, 2014.

Metawatch, “Frame—Black (MW3005),”< <http://meta.watch/collections/smartwatch-all/products/frame-ss-black-leather>>, accessed Dec. 15, 2014.

[Online] http://a.abcnews.com/images/Business/HT_gold_apple_iwatch_jef_140909_4x3_992.jpg, Retrieved on Feb. 4, 2015, 1 page.

[Online] <http://cdn.macrumors.com/article-new/2014/09/applewatchstainless38mm-800x371.jpg>. Retrieved Jun. 9, 2016.

[Online] <http://core0.staticworld.net/images/article/2014/09/apple-watch-edition-black-100413455-medium.jpg>. Retrieved Jun. 9, 2016.

[Online] <http://ecx.images-amazon.com/images/I/41XGUSNQEYL.jpg>. Retrieved Aug. 18, 2015.

[Online] http://www.sammaselec.com/photo/pl2595981-leather-apple_watch_band_classic_buckle_with_adapter_in_different_colors_and_leather_types.jpg. Retrieved Aug. 17, 2015.

Pebble, “Pebble Smartwatch,” [getpebble.com](https://getpebble.com/checkout),< <https://getpebble.com/checkout>>, accessed Dec. 15, 2014.

“Timex Men’s Q7B808 Ironman Triathlon 30-Lap Resin 16mm Replacement Watchband”<http://www.amazon.com/Timex-Ironman-Triathlon-Replacement-Watchband/dp/B003OPZ5D0/ref=sr_1_1?s=apparel&ie=UTF8&qid=1416701895&sr=1-1&keywords=Timex+Men%27s+Q7B808+Ironman+Triathlon+30-Lap+Resin+16mm+Replacement+Watchband>, accessed Nov. 25, 2014.

Velazco, Chris, “ASUS ZenWatch review: subtle and stylish, with a few shortcomings,” Engadget.com,< <http://www.engadget.com/2014/12/11/asus-zenwatch-review/>>, dated Dec. 11, 2014, accessed Dec. 15, 2014.

WatchCat Online Shopping Mall, “PJS Seiko,”<http://m.watchcat.co.kr/board/product/read.html?board_no=4&no=27504>, dated Oct. 26, 2012, accessed Oct. 8, 2015.

WatchCat Online Shopping Mall, “PVD Zulu style Military Nylon band/strap,”<http://www.watchcat.kr/product/detail.html?product_no=5162&cate_no=642&display_group=1>, dated 2010, accessed Oct. 8, 2015.

* cited by examiner

Primary Examiner — Melanie Pellegrini
(74) *Attorney, Agent, or Firm* — Sterne, Kessler, Goldstein & Fox P.L.L.C.

(57)

CLAIM

The ornamental design for a band, as shown and described.

DESCRIPTION

FIG. 1 is a bottom front perspective view of a band showing the claimed design;

FIG. 2 is a bottom rear perspective view thereof;

FIG. 3 is a front view thereof;

FIG. 4 is a rear view thereof;

FIG. 5 is a left side view thereof;

FIG. 6 is a right side view thereof;

FIG. 7 is a top view thereof;

FIG. 8 is a bottom view thereof; and,

FIG. 9 is a perspective view thereof in an environment in which it may be used.

The dashed broken lines in the figures show portions of the band and environment that form no part of the claimed design. The dot-dash broken lines in the figures show boundaries that form no part of the claimed design.

1 Claim, 6 Drawing Sheets

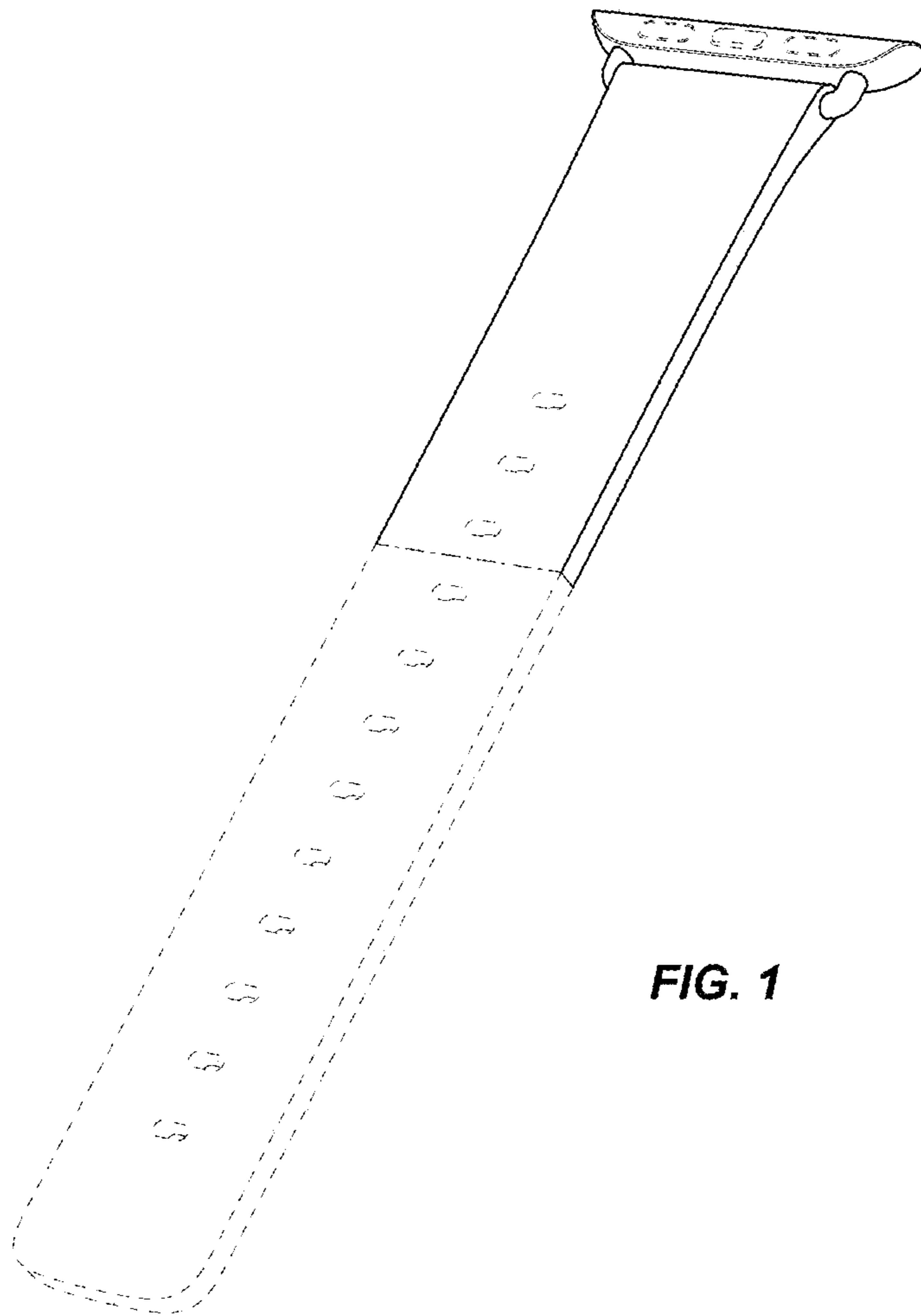
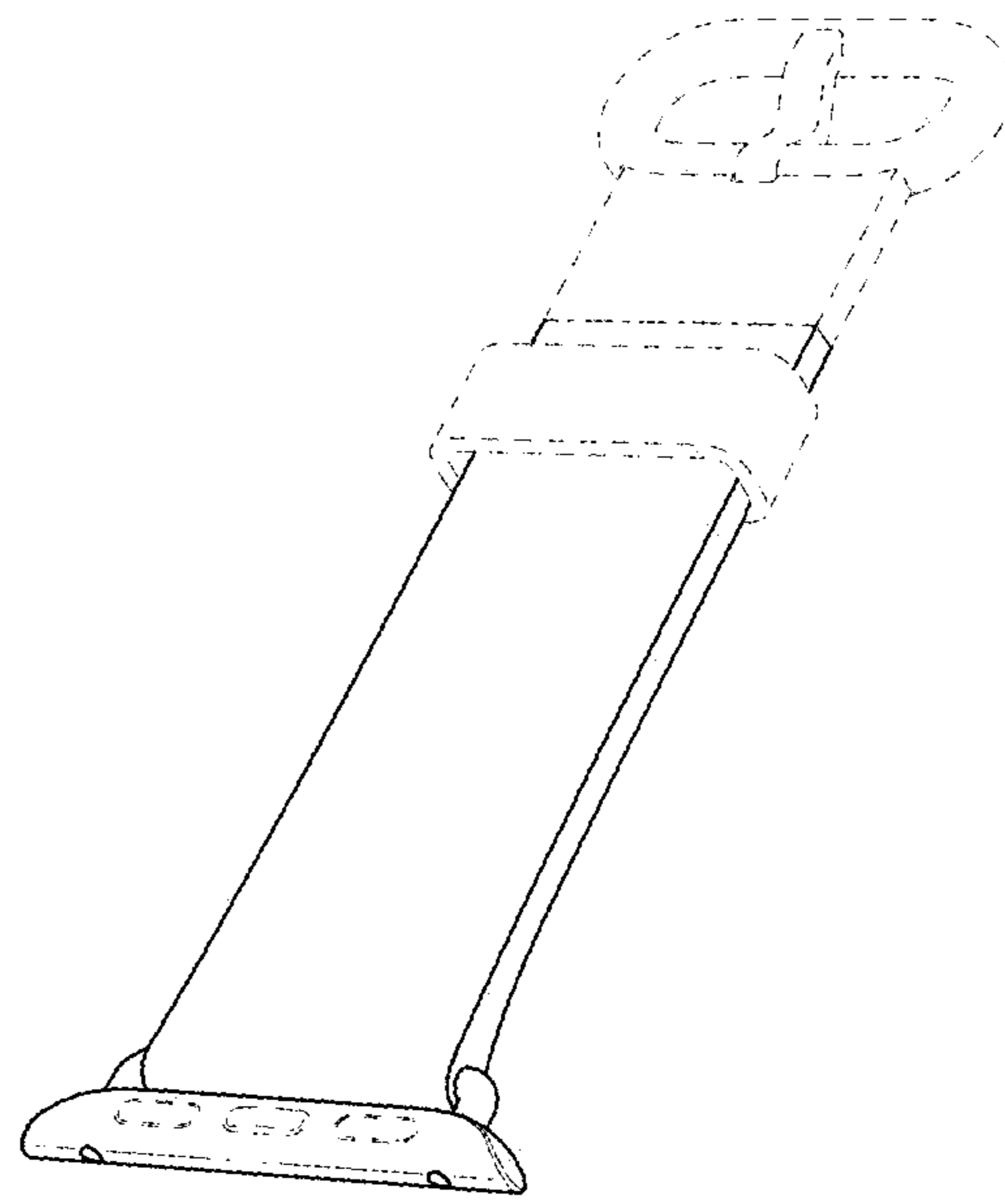


FIG. 1

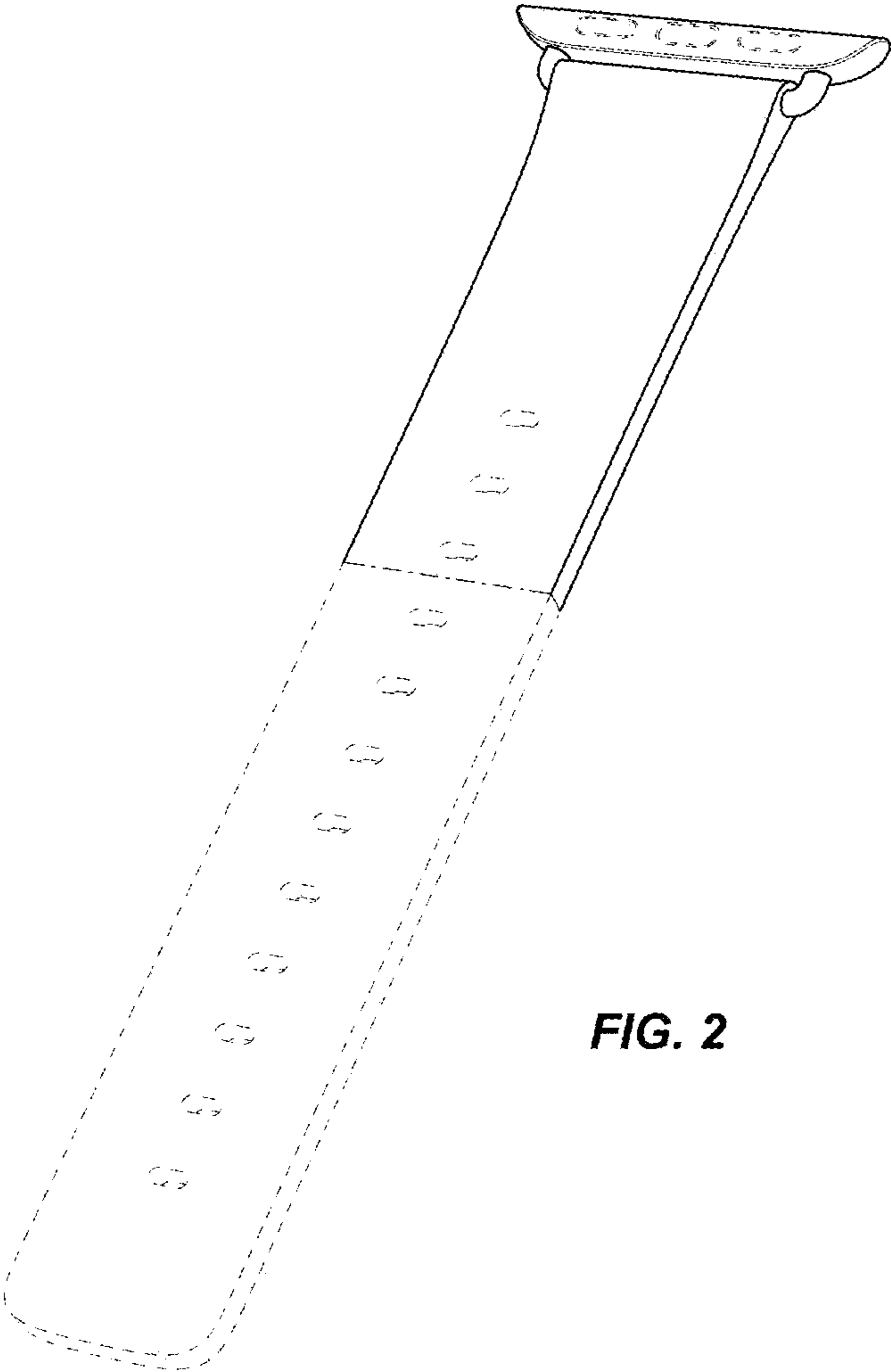
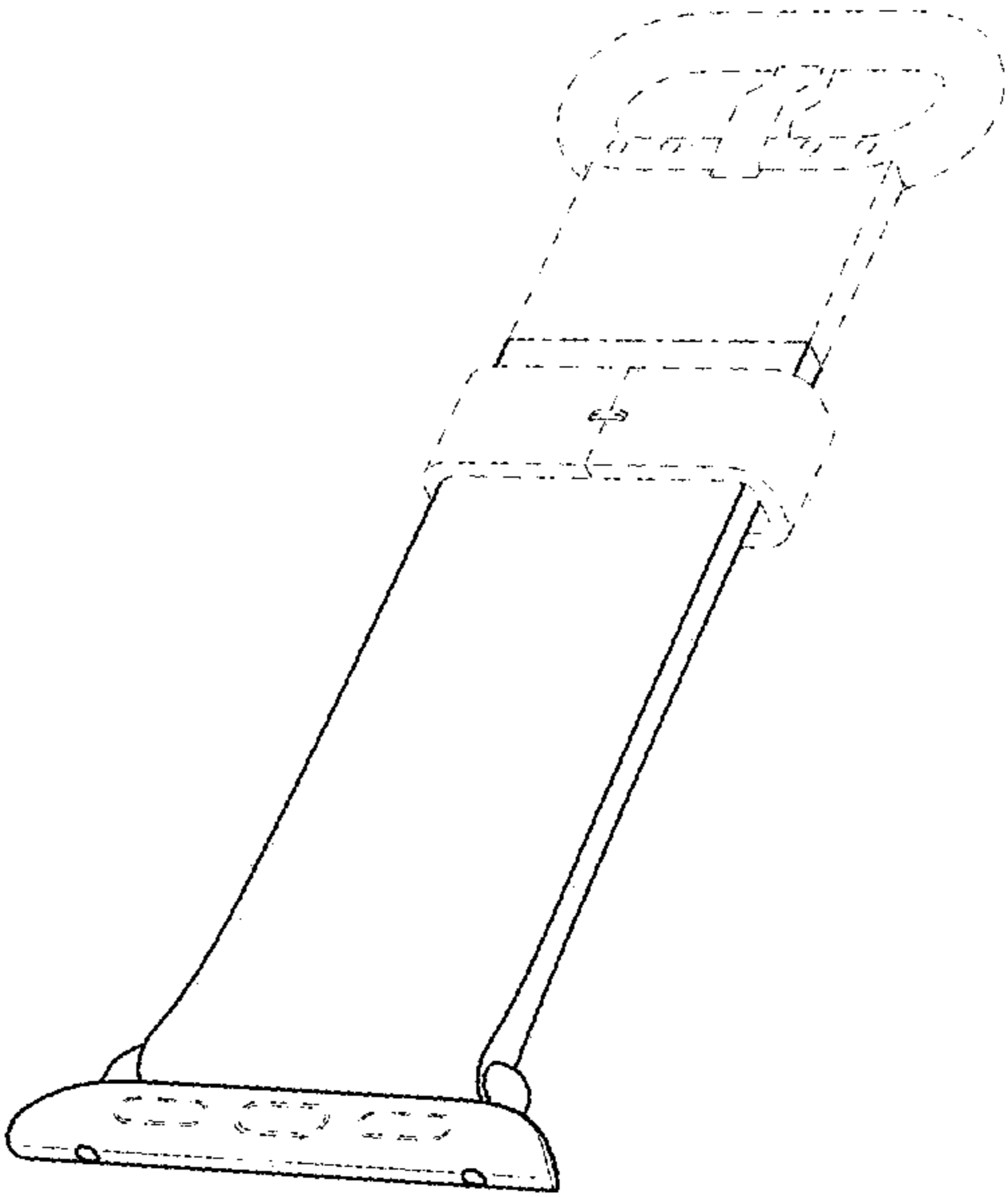


FIG. 2

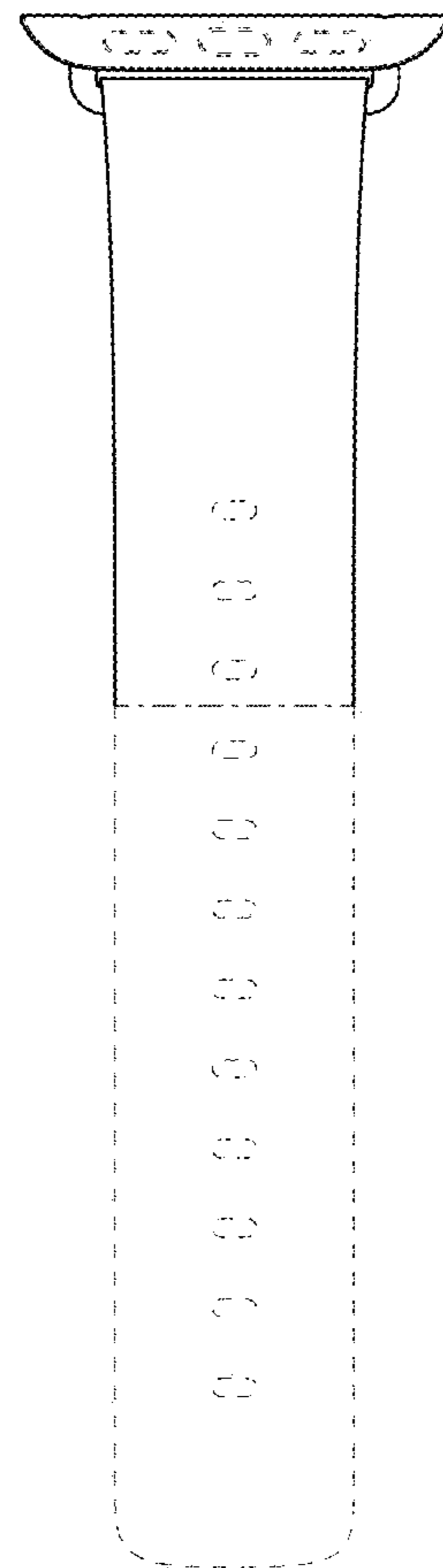
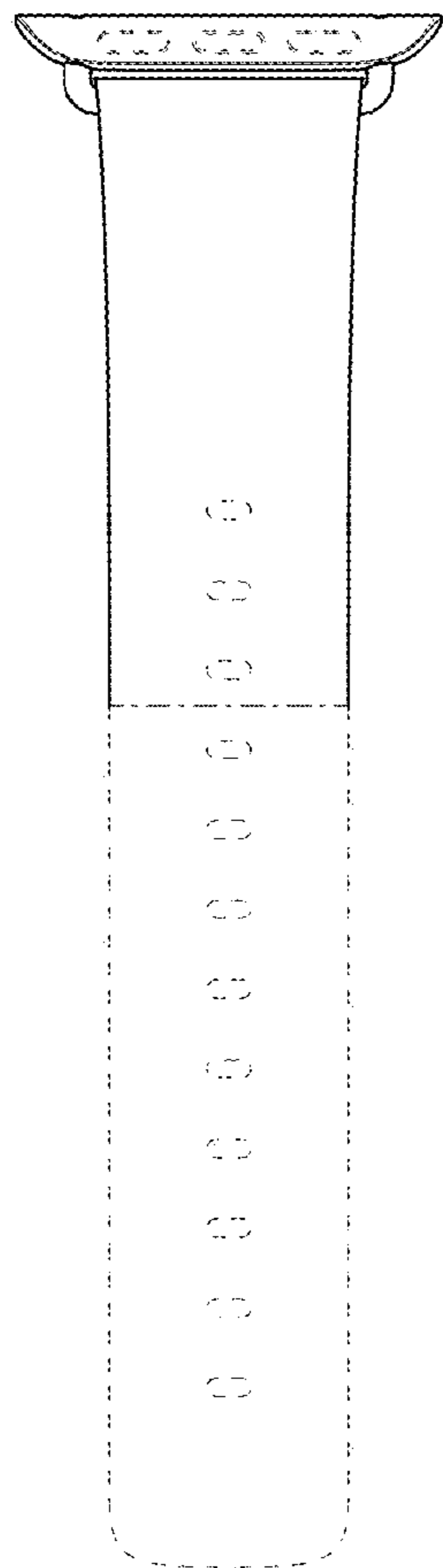
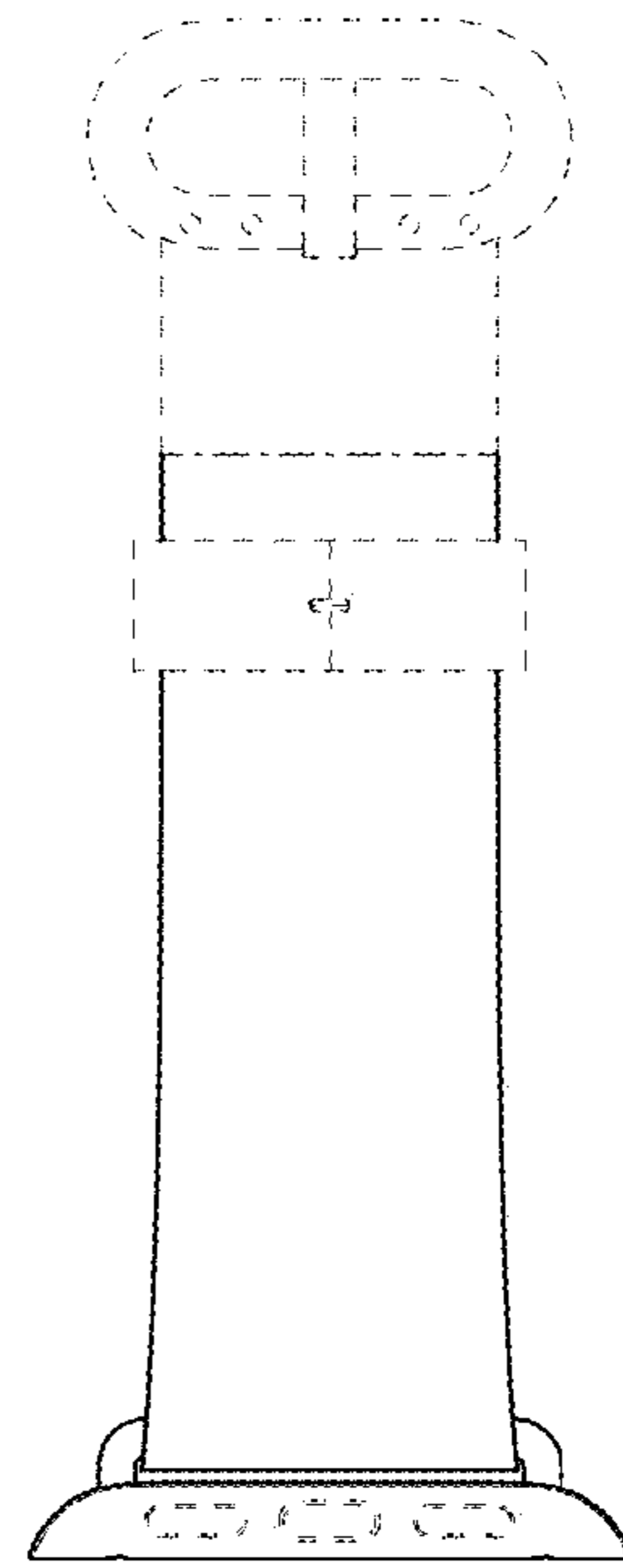
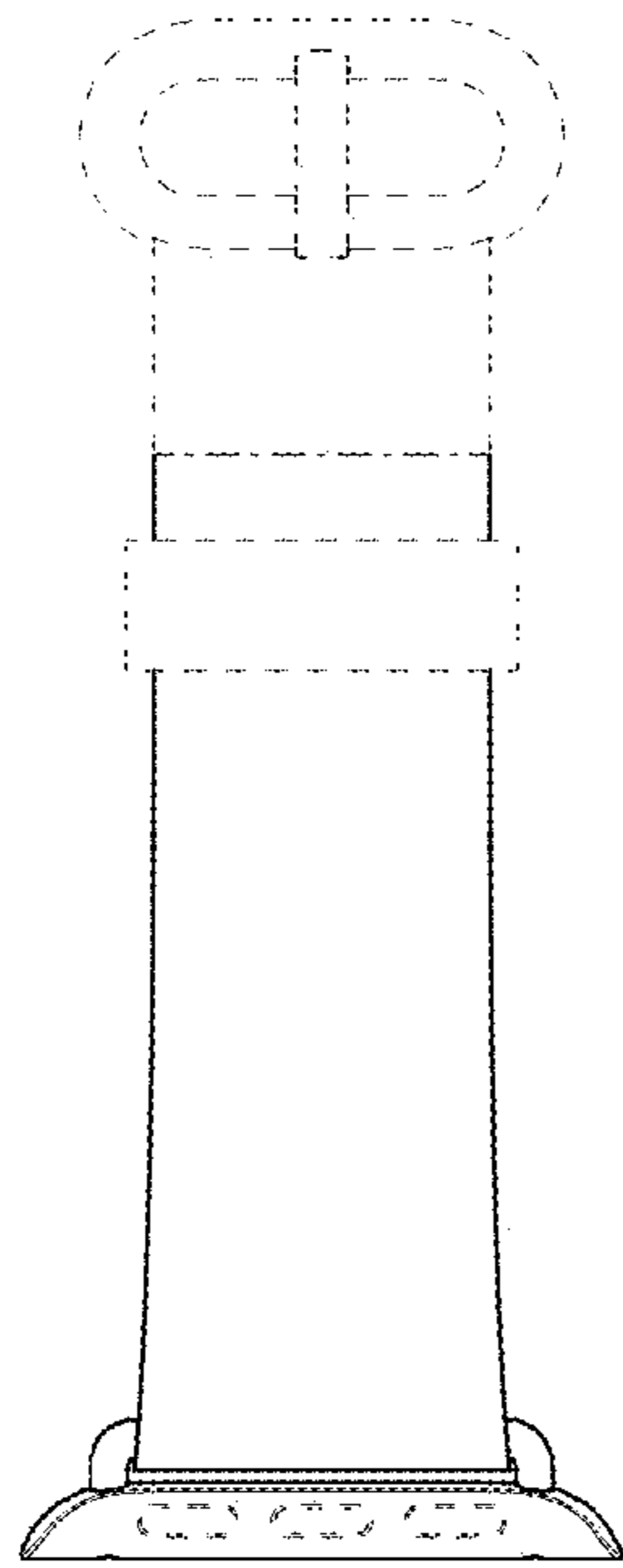


FIG. 3

FIG. 4

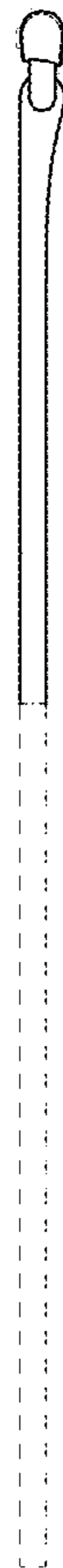
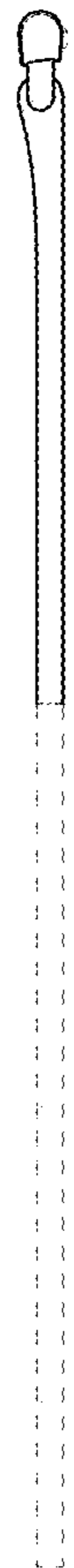
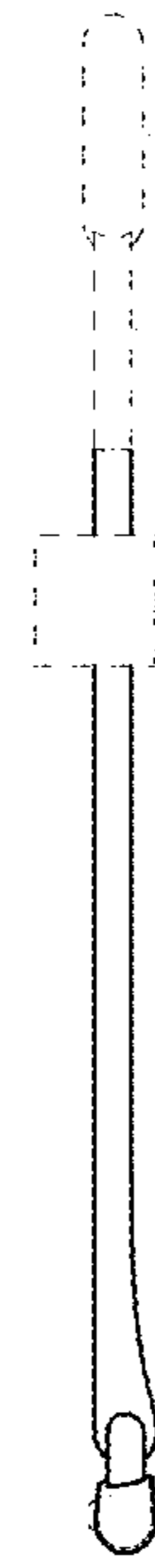
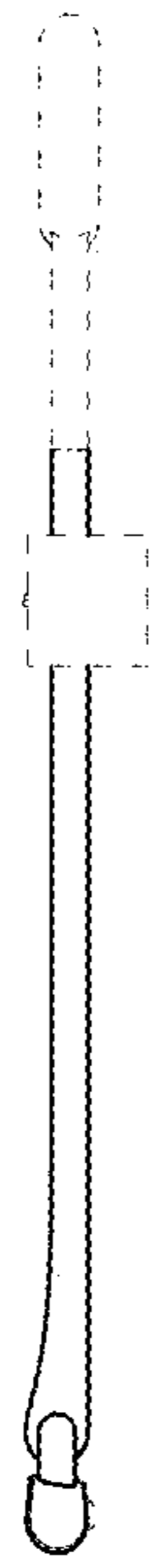


FIG. 5

FIG. 6

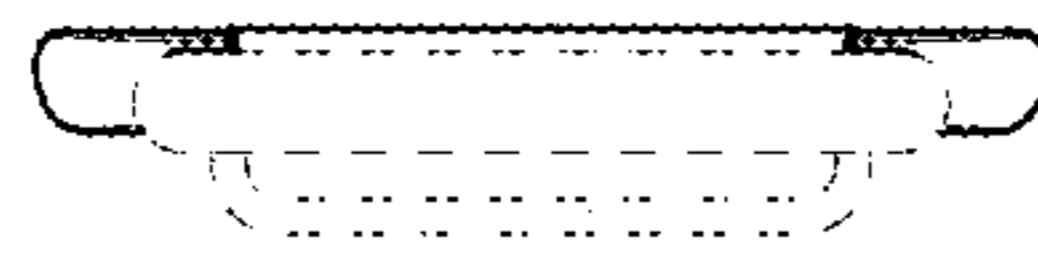


FIG. 7

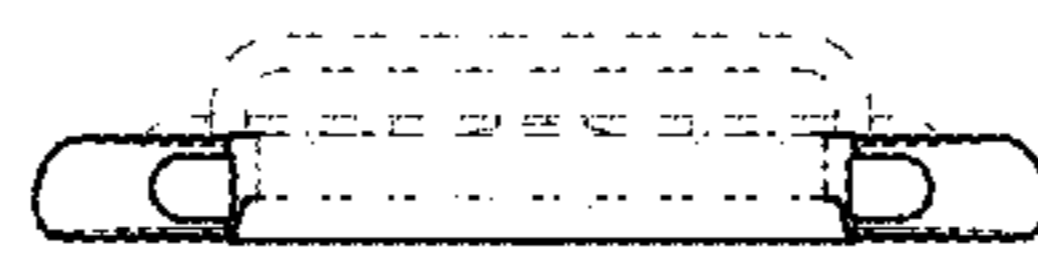


FIG. 8

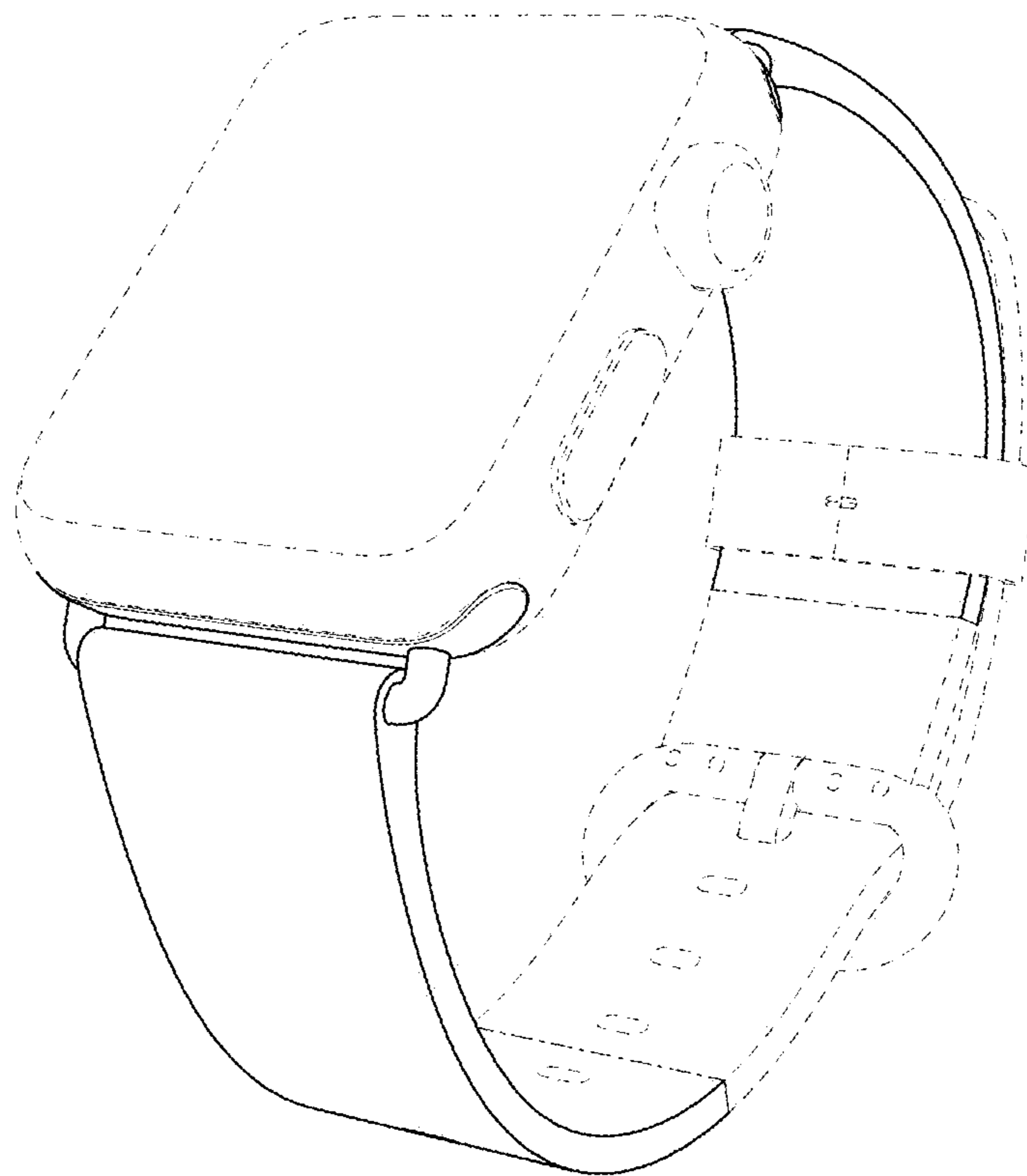


FIG. 9