



US00D952496S

(12) **United States Design Patent** (10) **Patent No.:** **US D952,496 S**
Yu (45) **Date of Patent:** **** May 24, 2022**

(54) **WATCH CASE**

- (71) Applicant: **Danxia Yu**, Jiangxi (CN)
- (72) Inventor: **Danxia Yu**, Jiangxi (CN)
- (**) Term: **15 Years**
- (21) Appl. No.: **29/781,041**
- (22) Filed: **Apr. 28, 2021**
- (51) **LOC (13) Cl.** **10-07**
- (52) **U.S. Cl.**
USPC **D10/132; D10/30**
- (58) **Field of Classification Search**
USPC D10/30-39, 128, 132; D11/3; D14/440
CPC A44C 5/00; A44C 5/0053; G04B 37/005;
G04B 37/0058
See application file for complete search history.

(56) **References Cited**

U.S. PATENT DOCUMENTS

D179,372 S *	12/1956	Bauer	D10/39
D358,776 S *	5/1995	Pandel	D10/30
D399,447 S *	10/1998	Pandel	D10/128
D494,492 S *	8/2004	Pibouleau	D10/128
D504,332 S *	4/2005	Chodat	D10/39
D705,675 S *	5/2014	Abdourahim	D10/39
D767,573 S *	9/2016	Kim	D14/440
D770,931 S *	11/2016	Parker	D10/132
D885,230 S *	5/2020	Kim	D10/132
D897,350 S *	9/2020	Wang	D14/440
D903,508 S *	12/2020	Zhang	D10/30
D909,903 S *	2/2021	Lin	D10/132
D912,562 S *	3/2021	Zhou	D10/132
D912,676 S	3/2021	Wright et al.		
D920,147 S *	5/2021	Liu	D10/132
D925,385 S *	7/2021	Lin	D10/132
2019/0369563 A1 *	12/2019	Chen	G04B 37/005

OTHER PUBLICATIONS

Gold Apple Watch Bezel Cover with Rainbow Crystals | applewatchcandy.com; no posting date [online]. [retrieved Jan. 12, 2022] from Internet: <<https://www.applewatchcandy.com/collections/bezel-style-case-covers-1/products/gold-apple-watch-bezel-cover-with-rainbow-crystals-38-40-42-44mm-series-2-6>> (Year: 2022).*

Smartwatch Case Compatible for Bling Apple Watch | lightinthebox.com; no posting date [online]. © 2006-2022 LightInTheBox.com [retrieved Jan. 12, 2022] from Internet: <https://www.lightinthebox.com/en/p/smart-watch-case-compatible-for-bling-apple-watch-case-40mm-rhinestone-crystal-diamond-stainless-steel-cover-protector-for-iwatch-series-6-se-5-4_p8659386.html> (Year: 2022).*

Rainbow Apple Watch Bezel Cover | posted by IggoraDesign on etsy.com; no posting date [online]. © 2022 Etsy, Inc. [retrieved Jan. 12, 2022] from Internet: <<https://www.etsy.com/listing/970925356/rainbow-apple-watch-bezel-cover-cultured>> (Year: 2022).*

* cited by examiner

Primary Examiner — Katherine Glennon

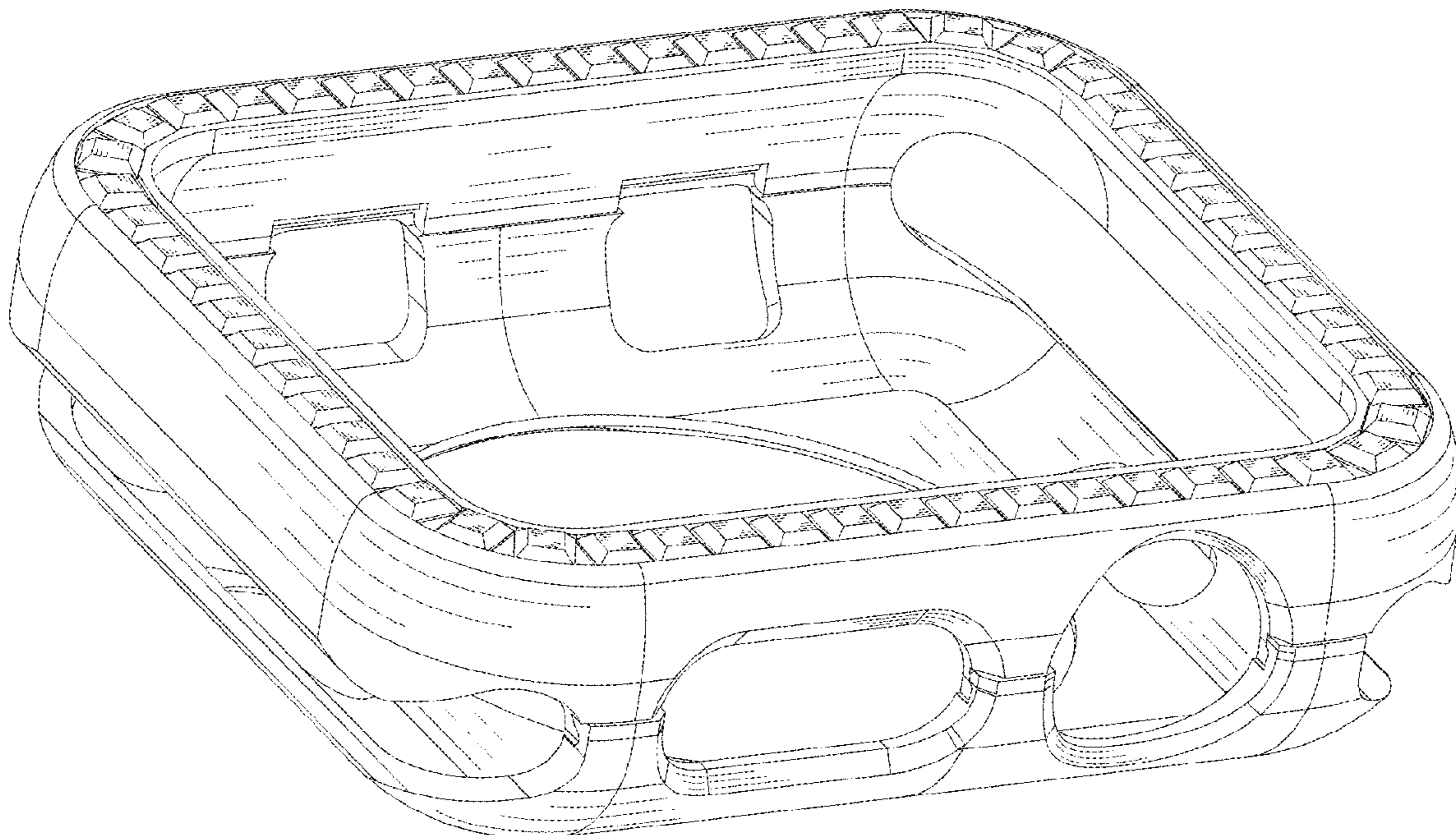
(57) **CLAIM**

The ornamental design for a watch case, as shown.

DESCRIPTION

FIG. 1 is a front elevational view of a watch case showing my new design;
 FIG. 2 is a rear elevational view thereof;
 FIG. 3 is a right side view thereof;
 FIG. 4 is a left side view thereof;
 FIG. 5 is a bottom plan view thereof;
 FIG. 6 is a top plan view thereof;
 FIG. 7 is a perspective view thereof; and,
 FIG. 8 is another perspective view thereof.

1 Claim, 6 Drawing Sheets



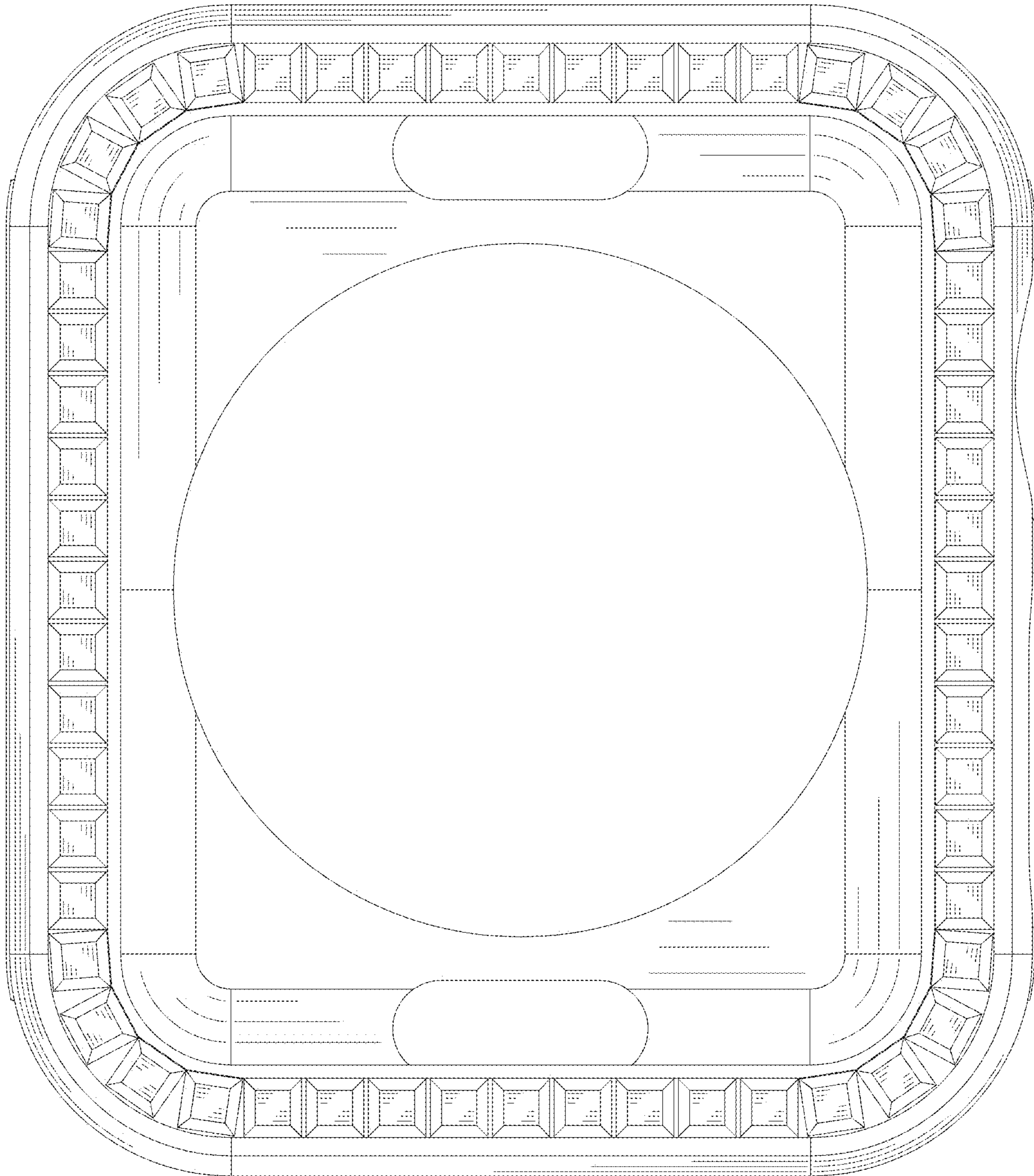


Fig. 1

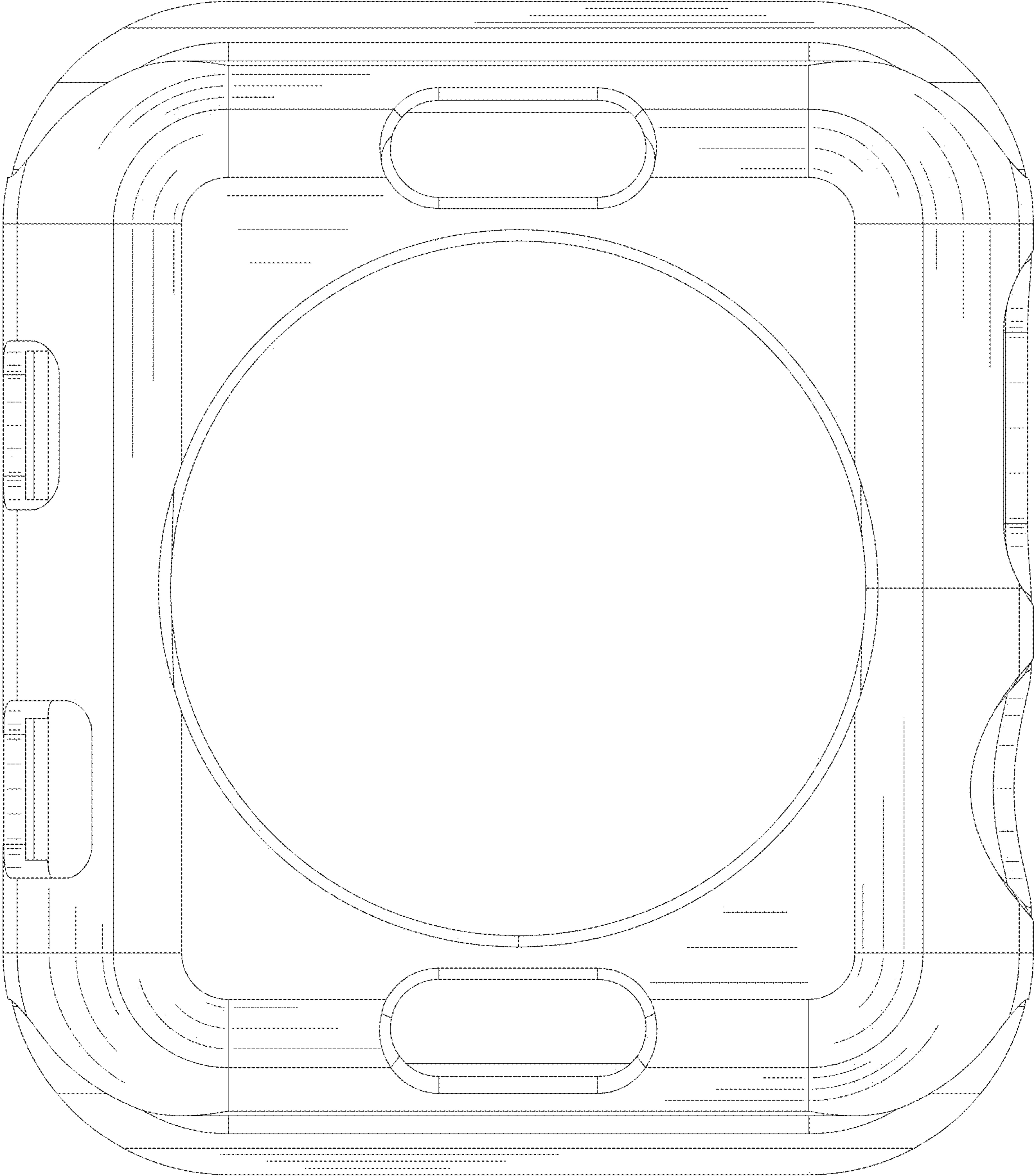


Fig. 2

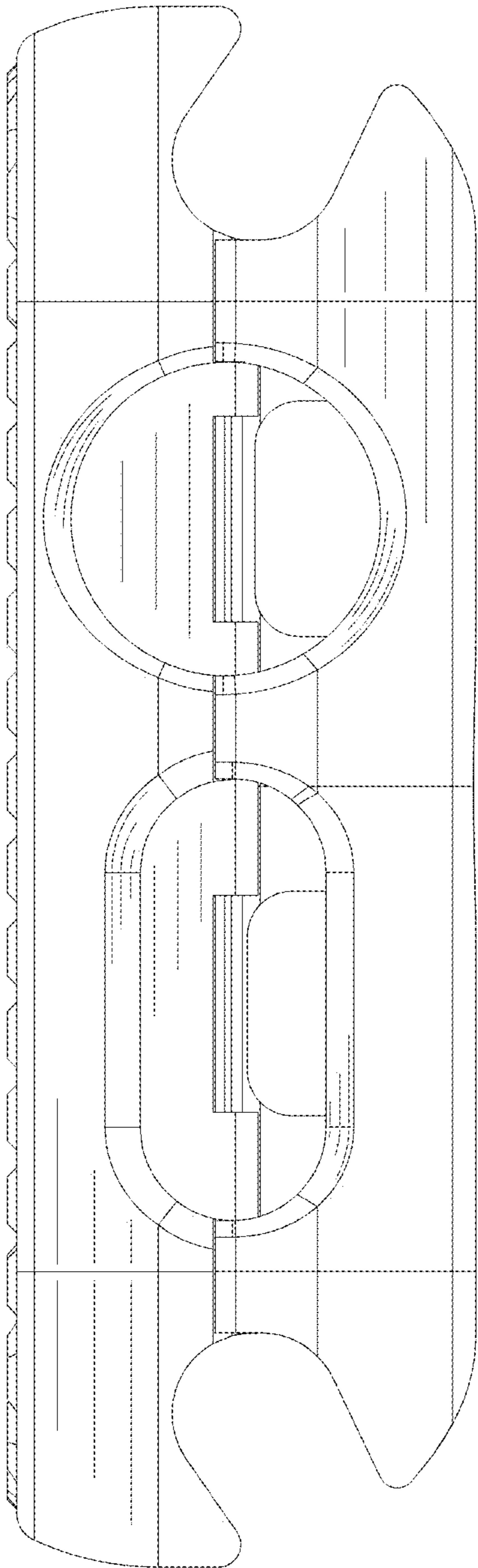


Fig. 3

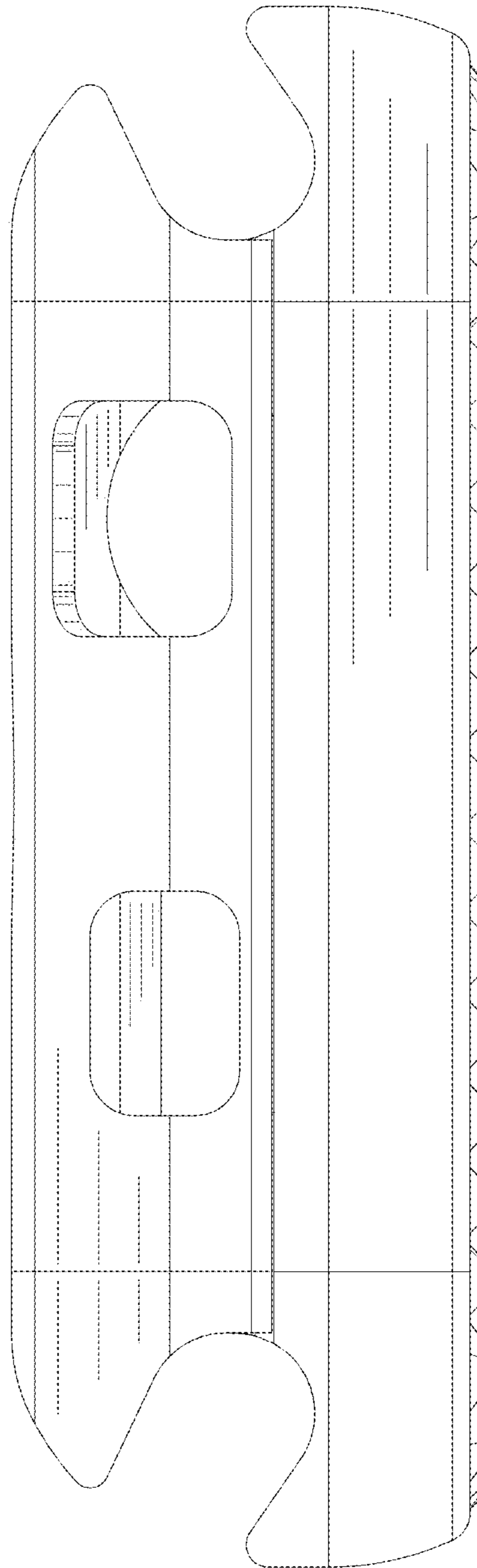


Fig. 4

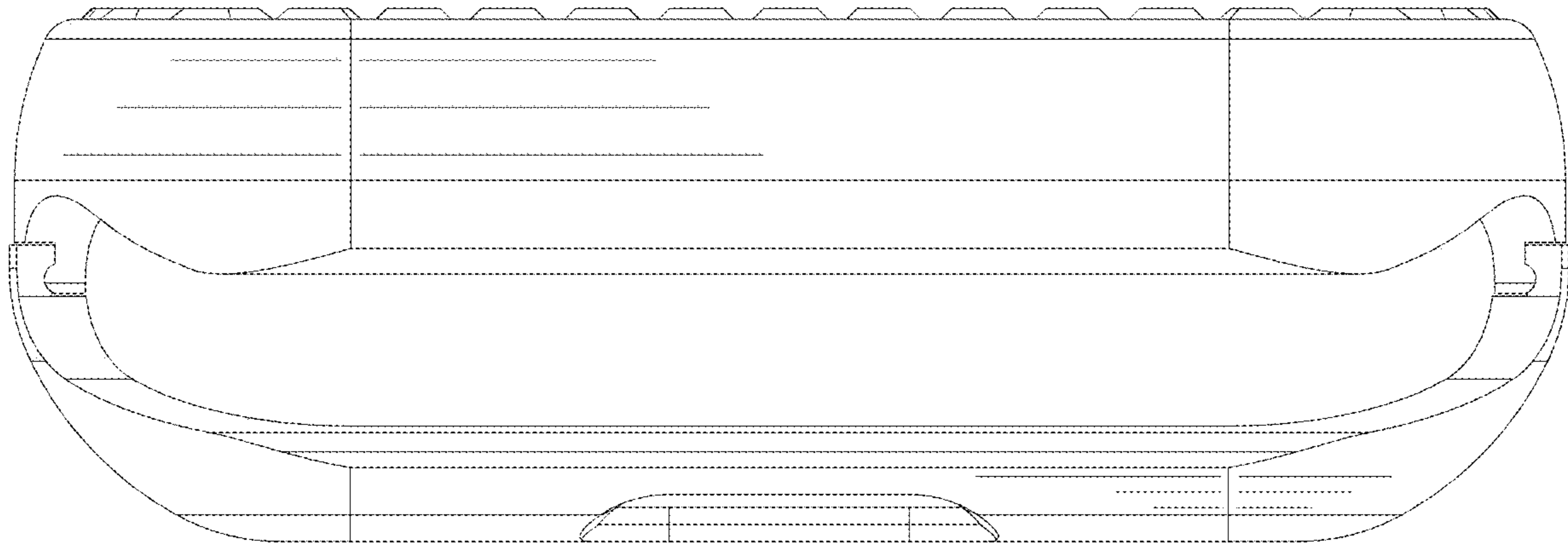


Fig. 6

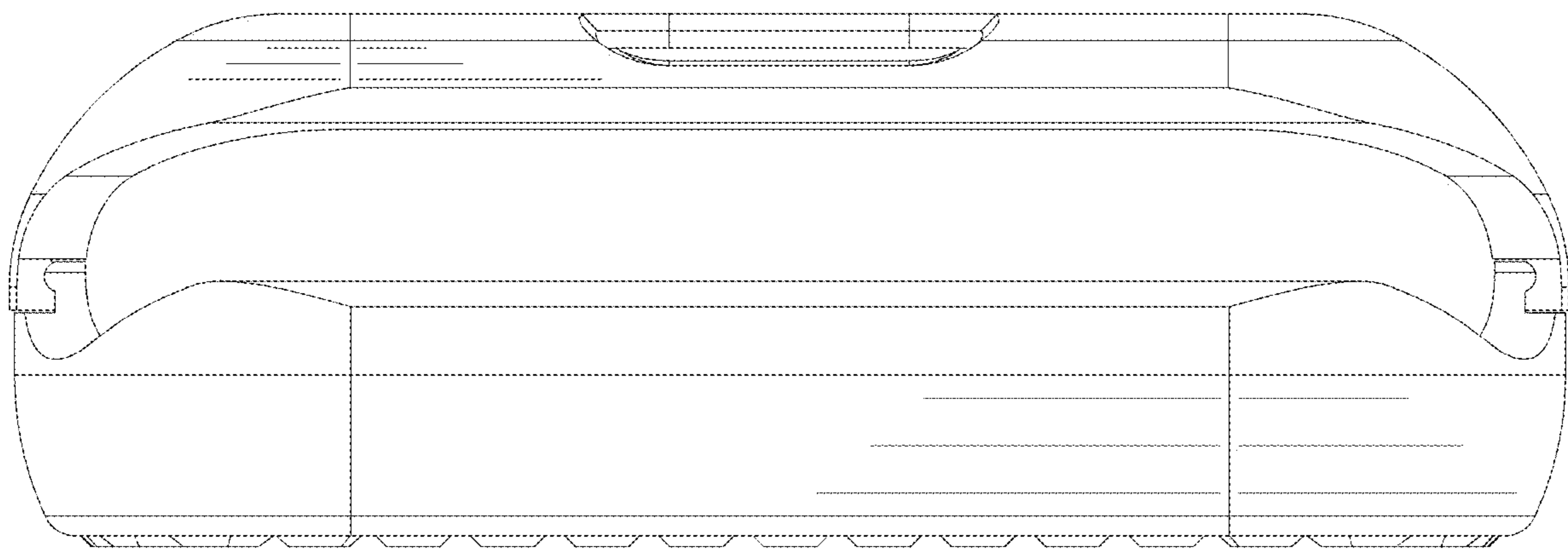


Fig. 5

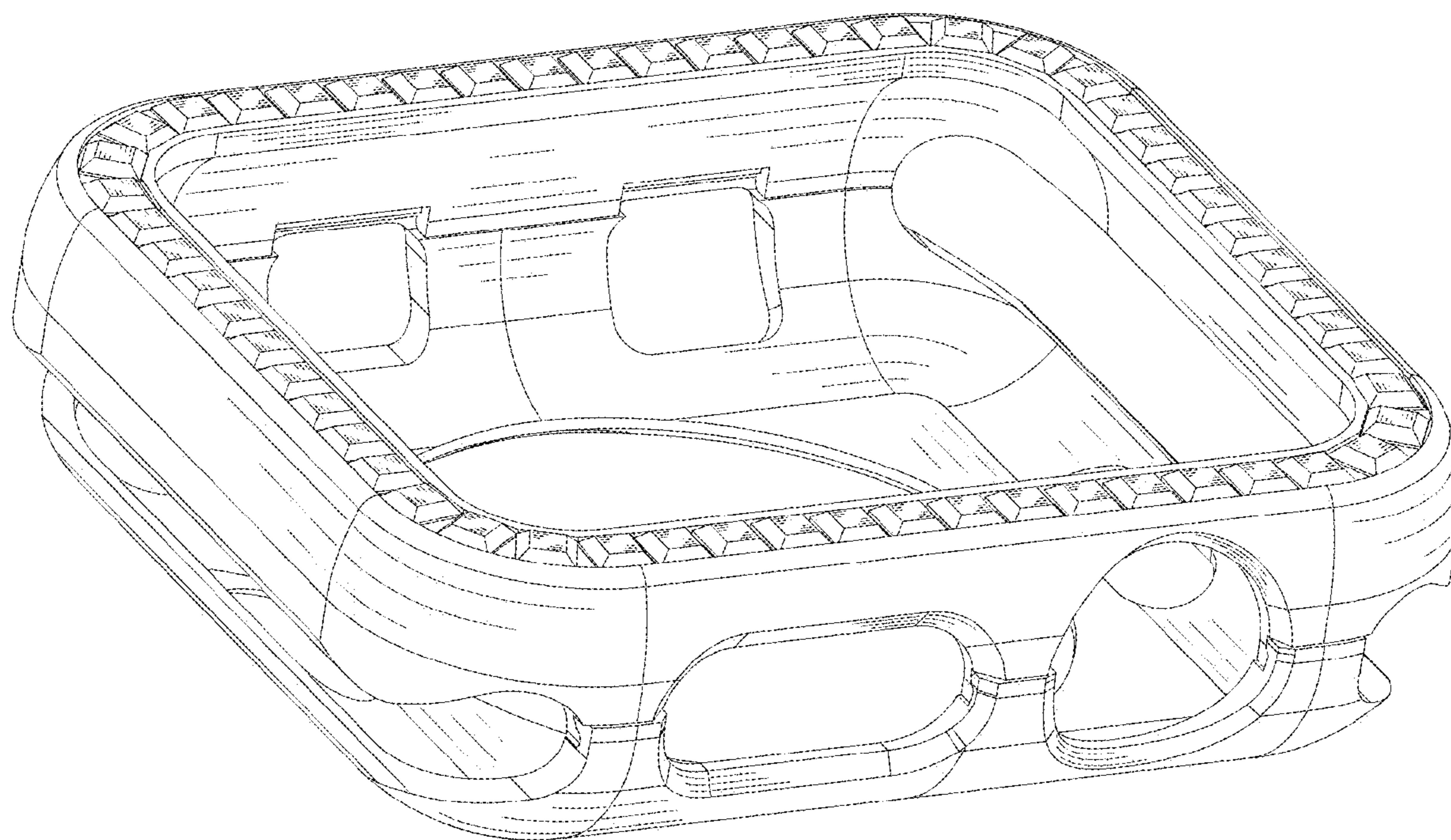


Fig. 7

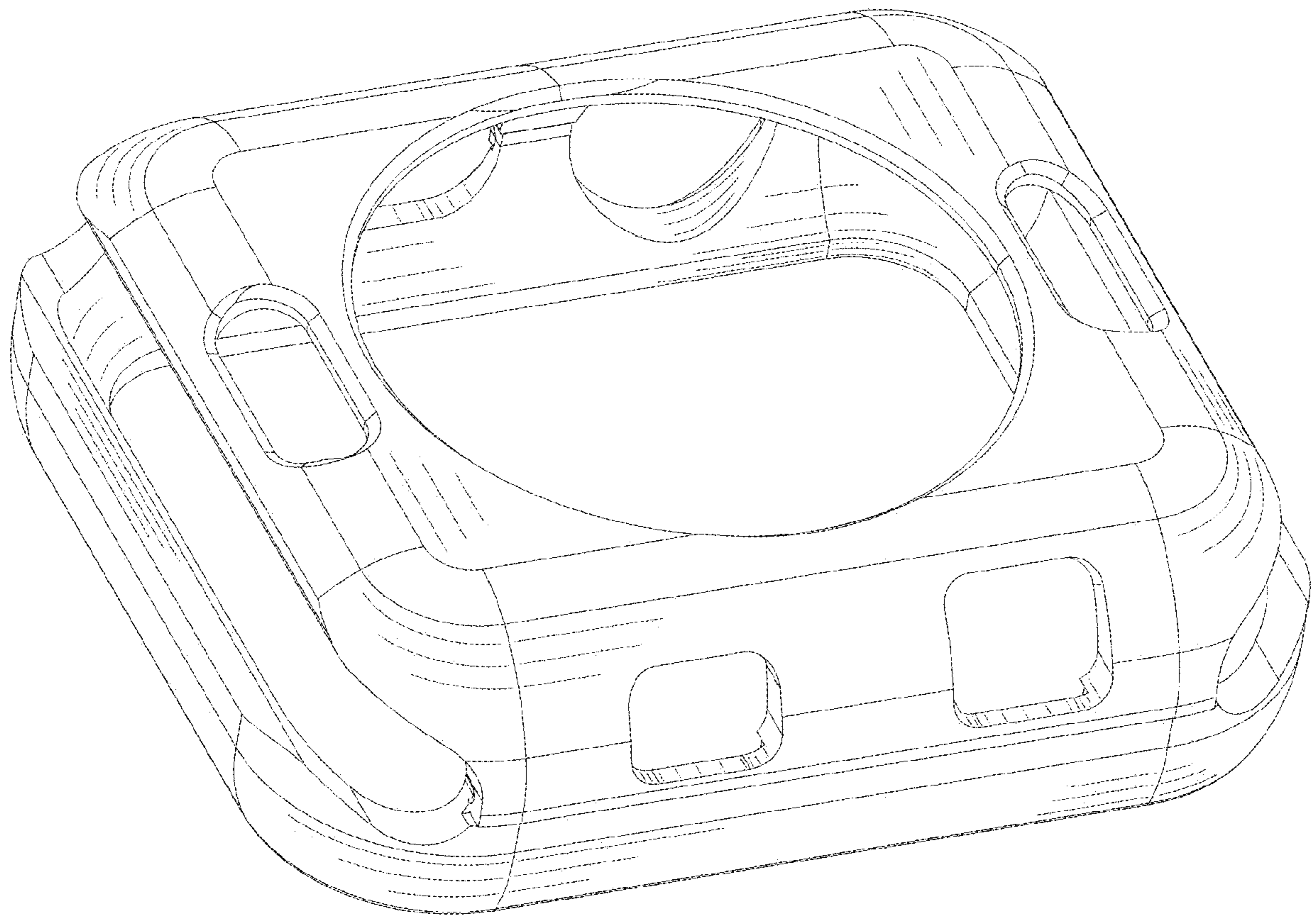


Fig. 8