



US00D952495S

(12) **United States Design Patent** (10) **Patent No.:** **US D952,495 S**
Yamamoto et al. (45) **Date of Patent:** **** May 24, 2022**

(54) **WATCH CASE**

(71) Applicant: **Casio Keisanki Kabushiki Kaisha,**
Tokyo (JP)

(72) Inventors: **Keishiro Yamamoto,** Tokyo (JP);
Ichiro Hashimoto, Tokyo (JP)

(73) Assignee: **CASIO KEISANKI KABUSHIKI**
KAISHA, Tokyo (JP)

(**) Term: **15 Years**

(21) Appl. No.: **35/511,278**

(22) Filed: **Jul. 29, 2020**

(80) **Hague Agreement Data**

Int. Filing Date: **Jul. 29, 2020**

Int. Reg. No.: **DM/209790**

Int. Reg. Date: **Jul. 29, 2020**

Int. Reg. Pub. Date: **Jan. 29, 2021**

(30) **Foreign Application Priority Data**

Jan. 29, 2020 (JP) 2020-001565

(51) **LOC (13) Cl.** **10-07**

(52) **U.S. Cl.**
USPC **D10/126**

(58) **Field of Classification Search**

USPC D10/30, 32, 38, 39, 126; D14/344

CPC G06F 1/14; G04G 21/08; G04G 9/0064;
G04B 43/002

See application file for complete search history.

(56) **References Cited**

U.S. PATENT DOCUMENTS

D664,450 S * 7/2012 Syoubayashi D10/39

D742,252 S * 11/2015 Akagi D10/126

D751,420 S * 3/2016 Nakai D10/126
D817,193 S * 5/2018 Kojima D10/39
D829,111 S * 9/2018 Akagi D10/39
D848,287 S * 5/2019 Nakai D10/38
D856,162 S * 8/2019 Nakai D10/38
10,747,180 B2 * 8/2020 Ichimura G04B 43/002
D897,866 S * 10/2020 Yamamoto D10/30
10,871,750 B2 * 12/2020 Hasegawa G04G 9/0064
D913,812 S * 3/2021 Horii D10/39
D927,326 S * 8/2021 Hashimoto D10/38
D936,051 S * 11/2021 Yamamoto D14/344
D938,417 S * 12/2021 Yamamoto D14/344
2020/0110370 A1 * 4/2020 Yasuda G04G 21/08
2020/0310486 A1 * 10/2020 Hasegawa G06F 1/14

* cited by examiner

Primary Examiner — George D. Kirschbaum

(74) *Attorney, Agent, or Firm* — Holtz, Holtz & Volek PC

(57) **CLAIM**

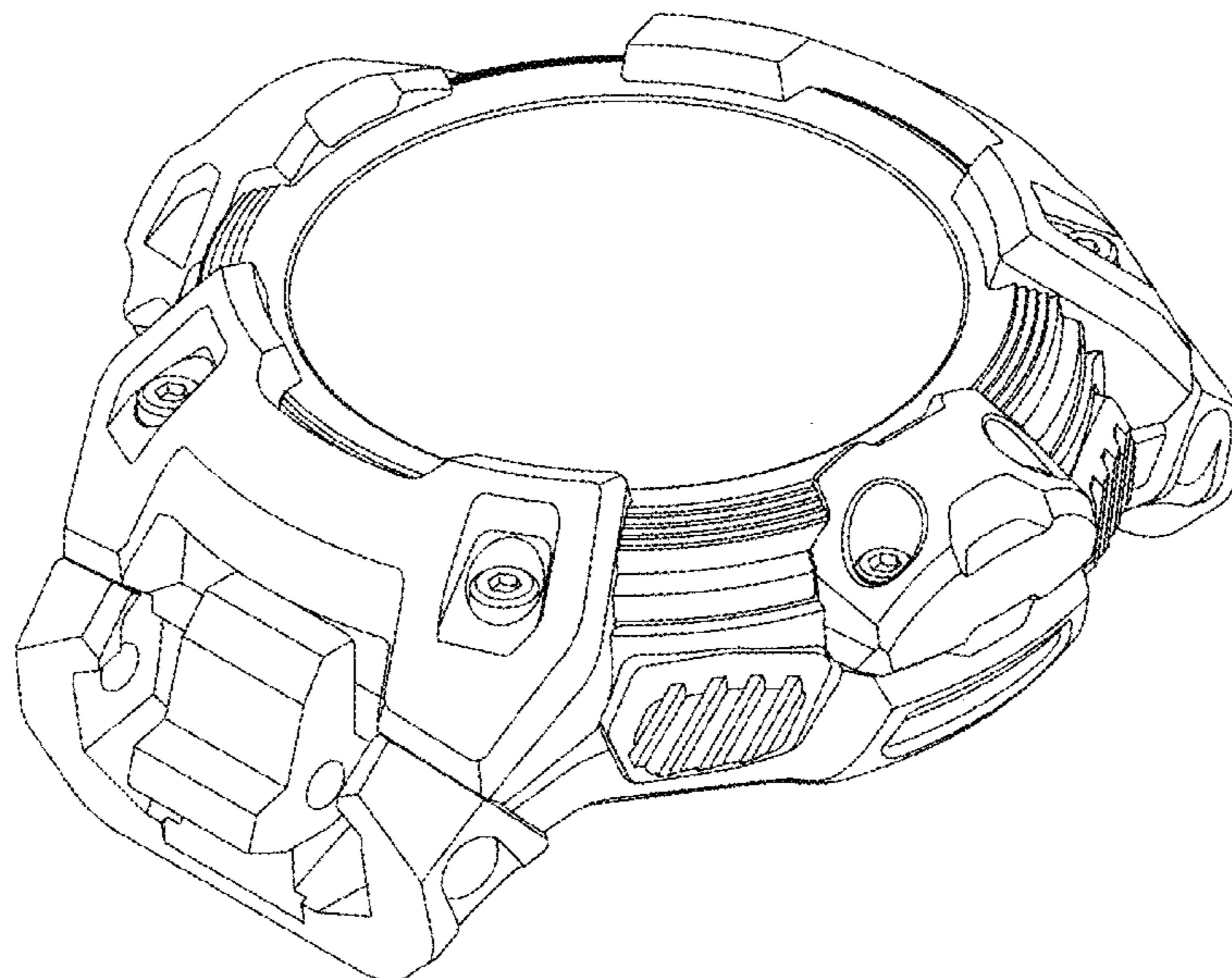
The ornamental design for a watch case, as shown and described.

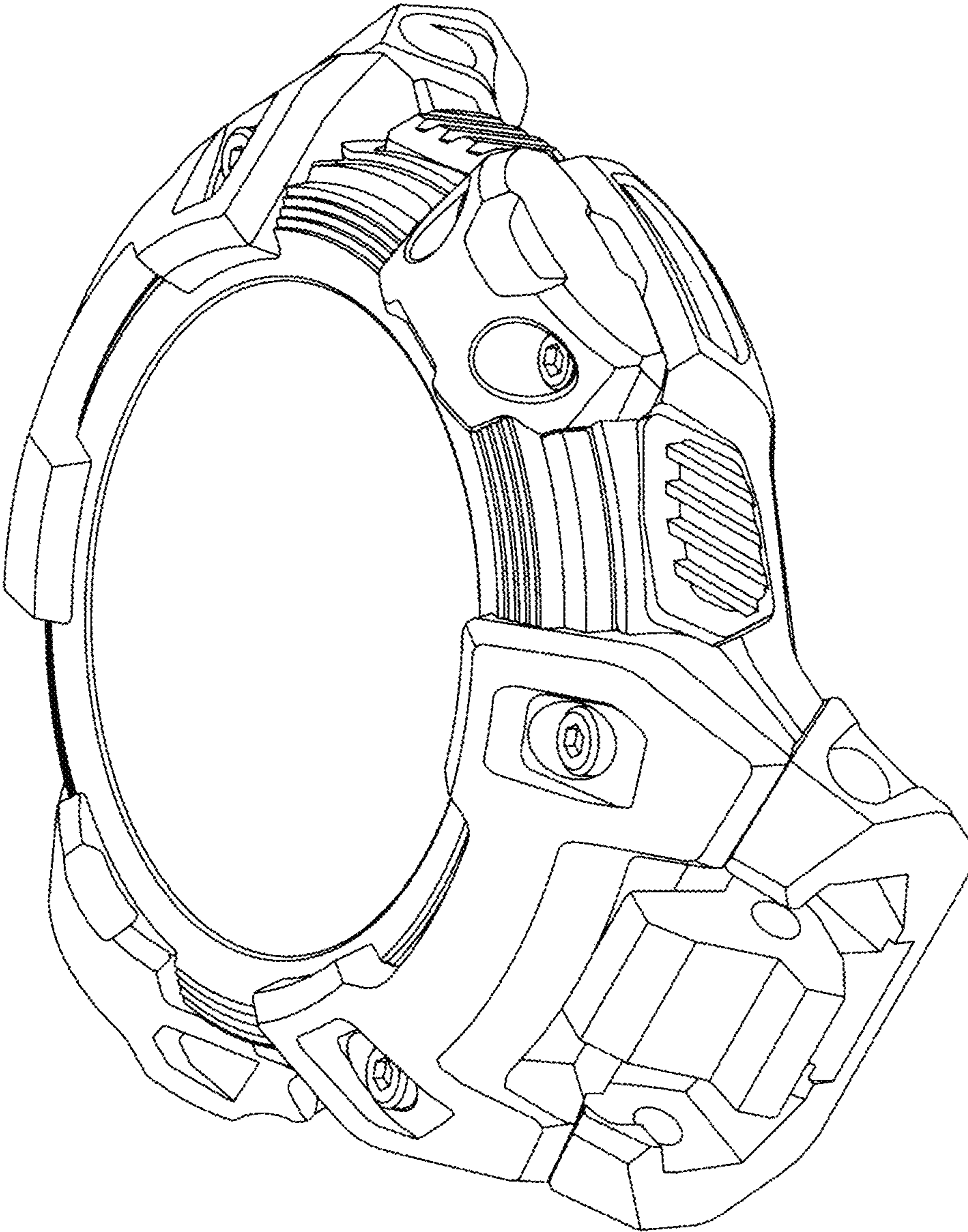
DESCRIPTION

- 1. Watch case
- 1.1 : Perspective
- 1.2 : Front
- 1.3 : Back
- 1.4 : Left
- 1.5 : Right
- 1.6 : Top
- 1.7 : Bottom
- 1.8 : Front view

The watch band shown in view 1.8 forms no part of the claimed design.

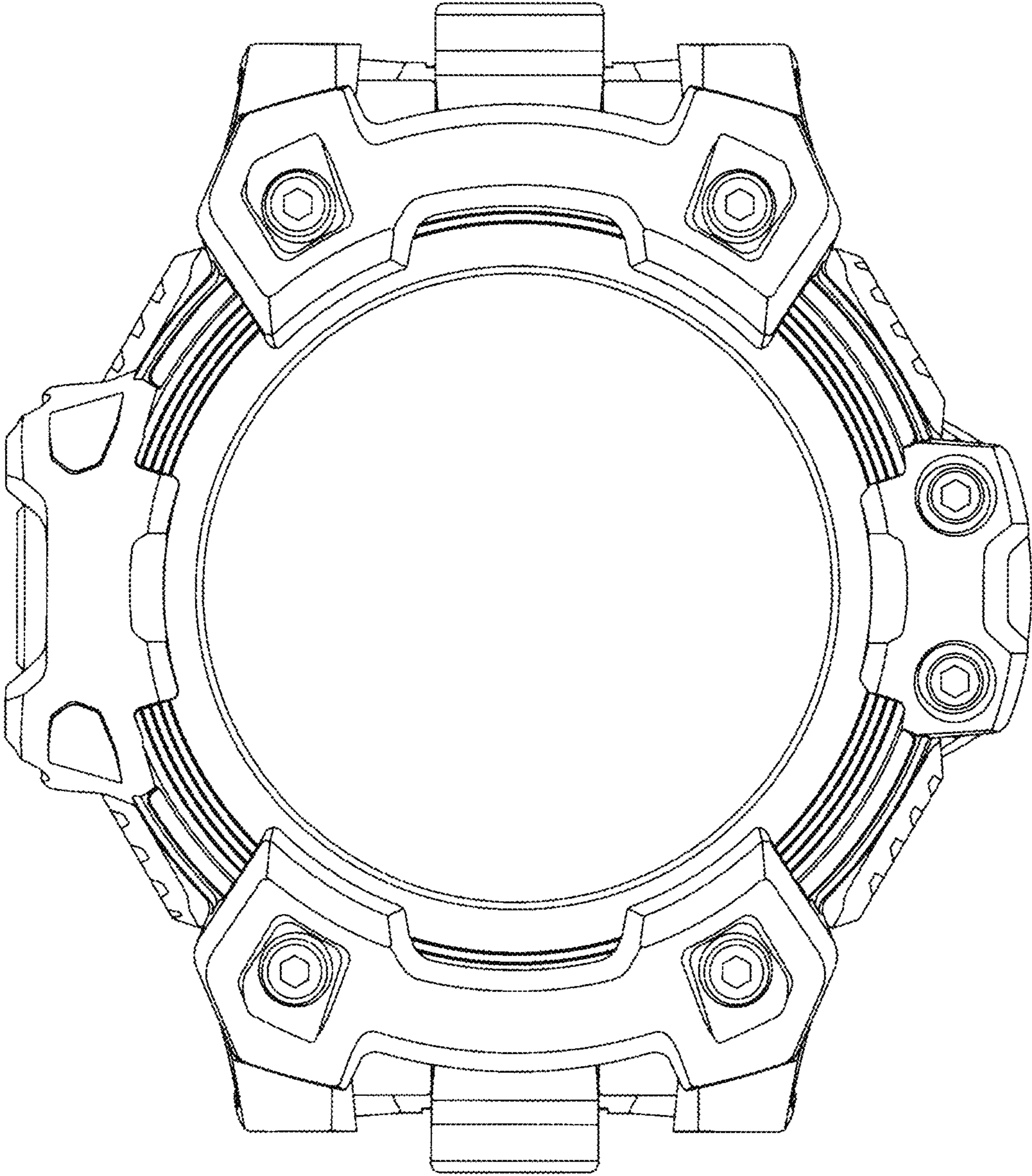
1 Claim, 8 Drawing Sheets



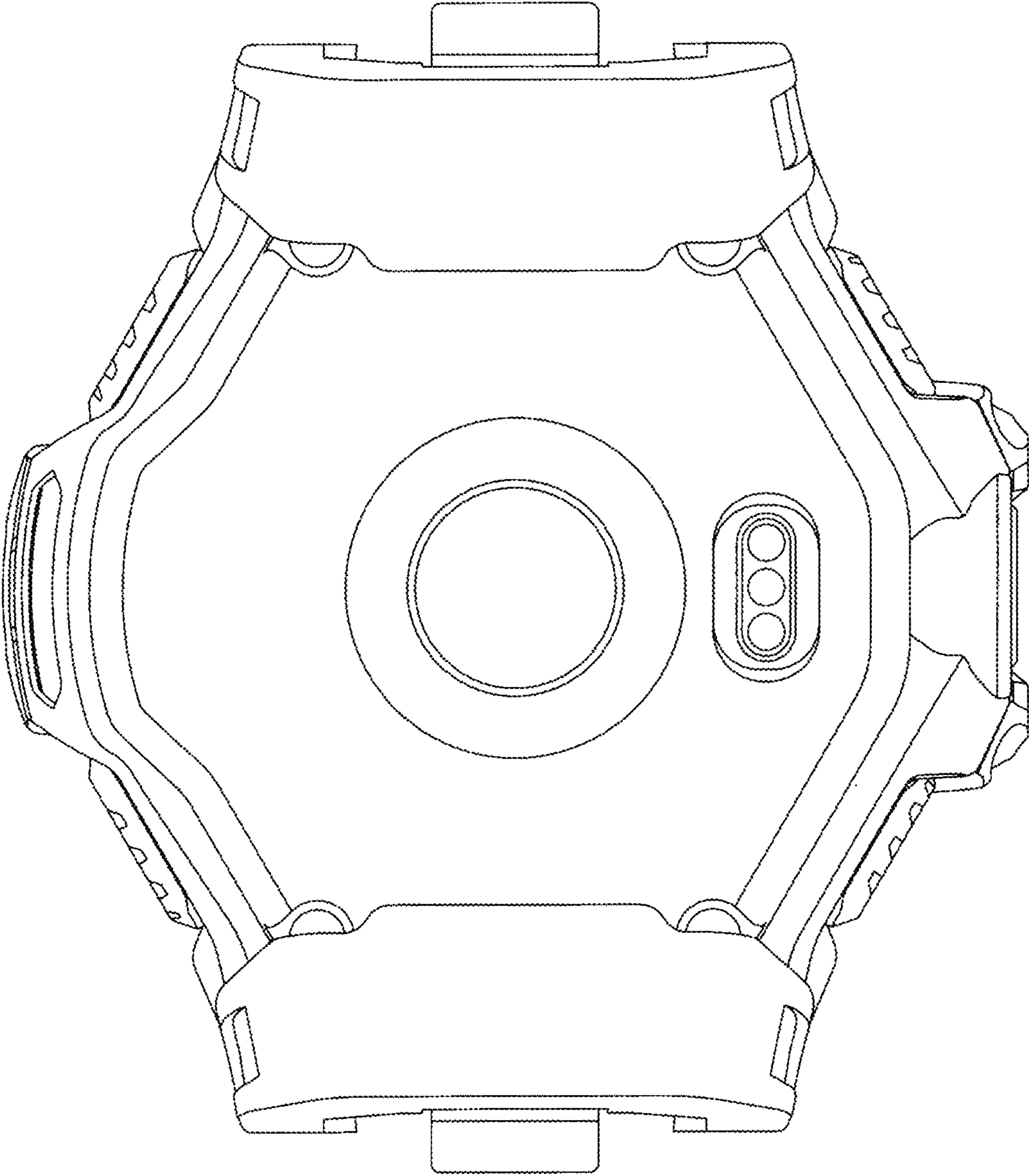


1.1

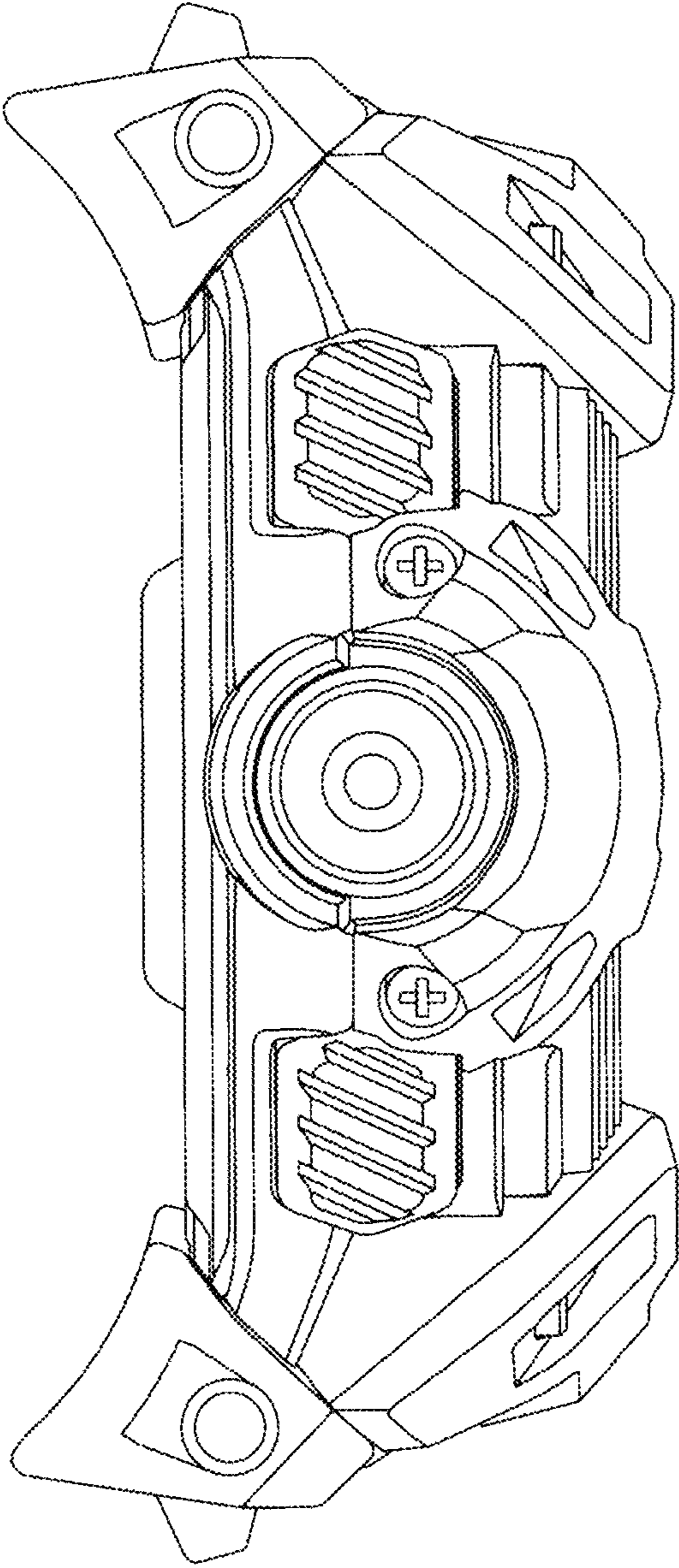
1.2



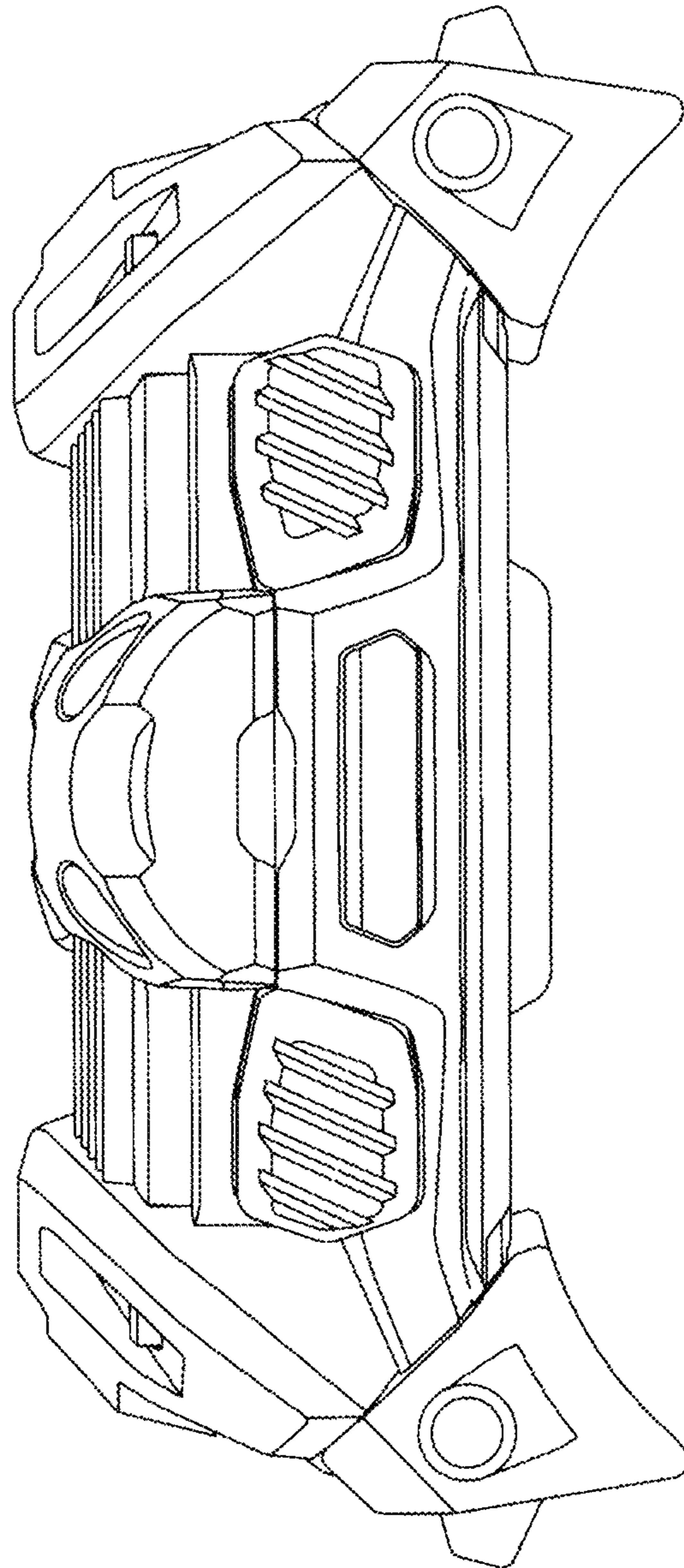
1.3

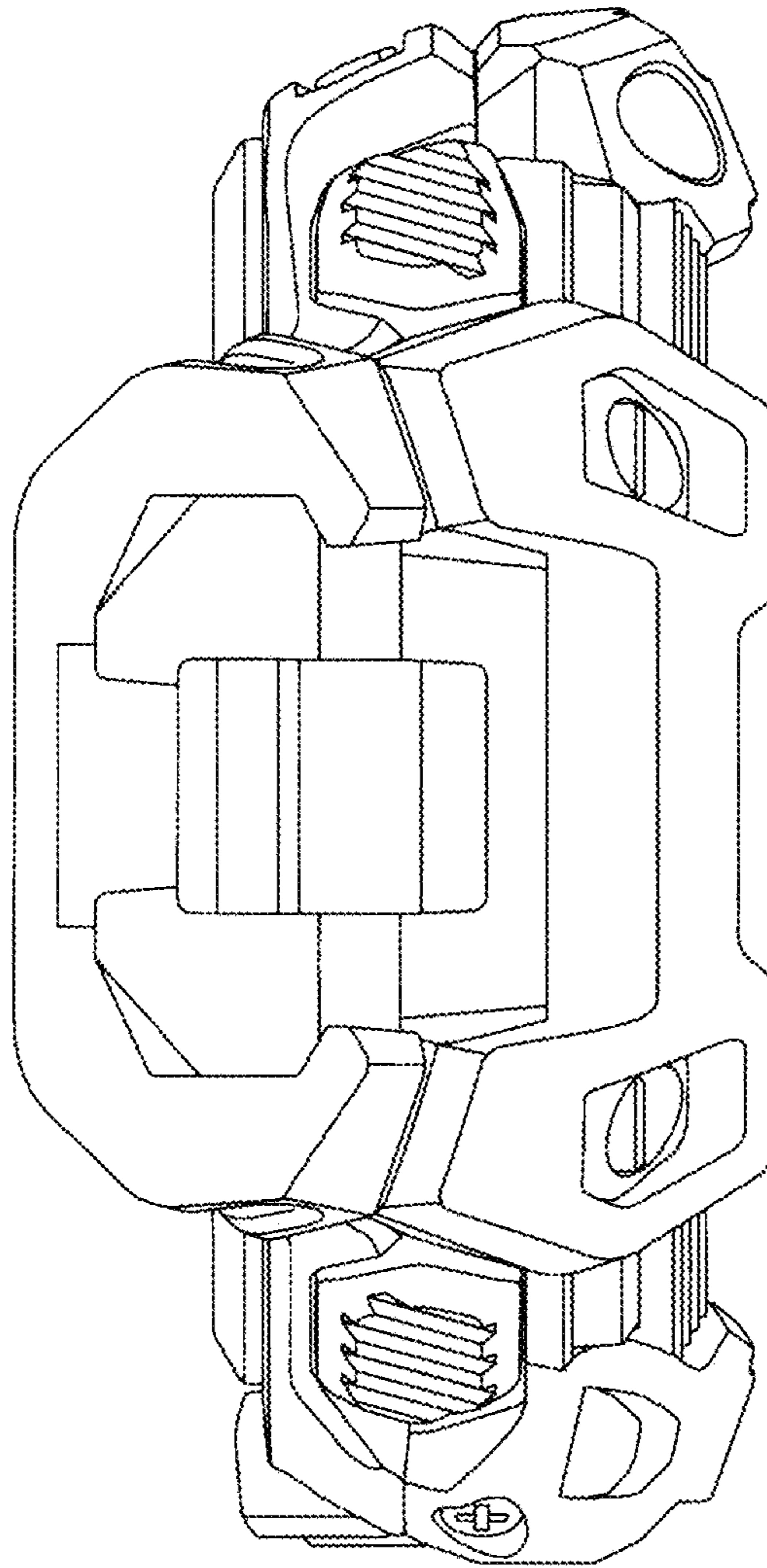


1.4

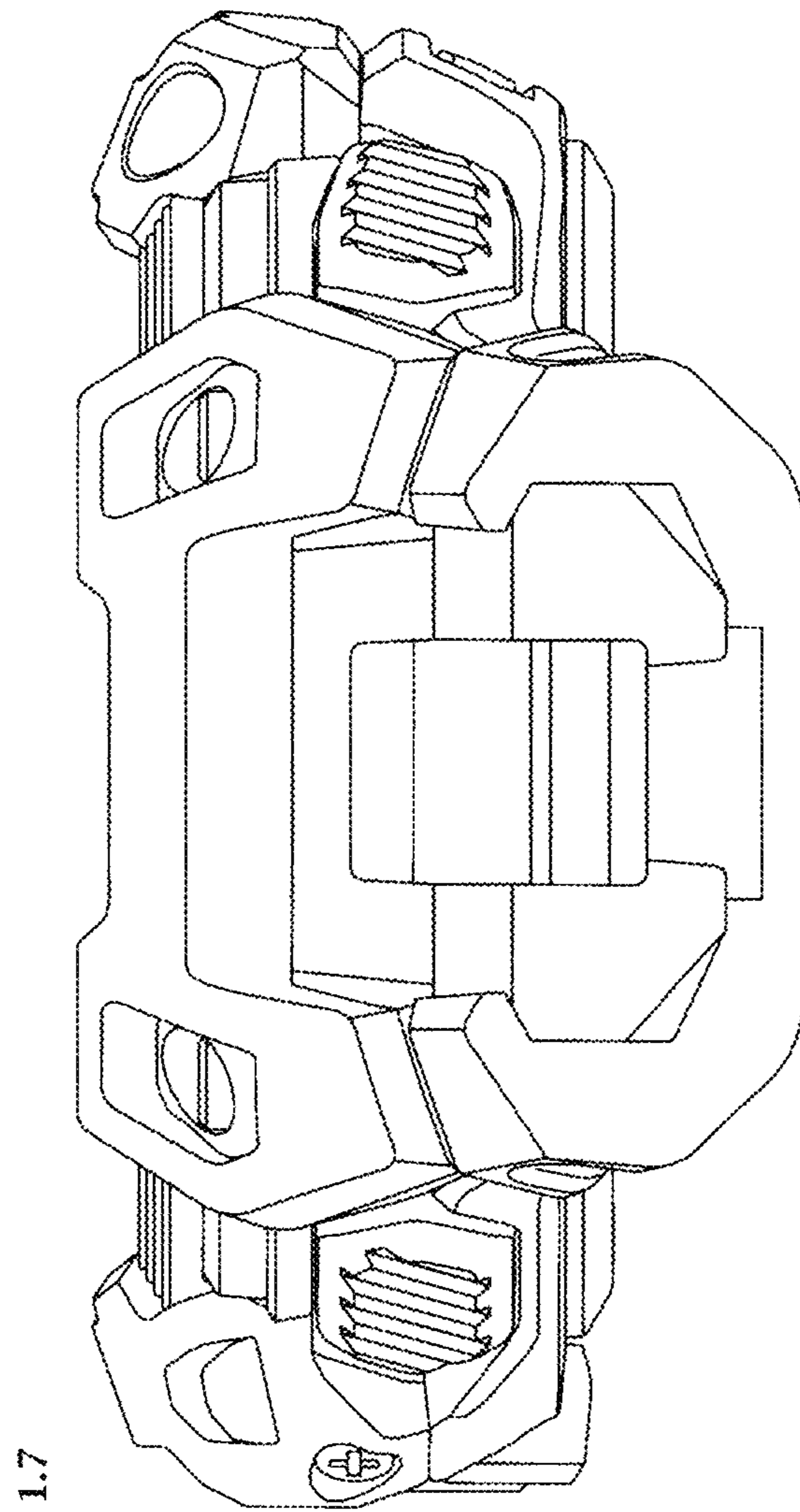


1.5





1.6



1.8

