



US00D952494S

(12) **United States Design Patent**
Miller

(10) **Patent No.:** **US D952,494 S**

(45) **Date of Patent:** **** May 24, 2022**

(54) **SECURITY TAG**

(71) Applicant: **Sensormatic Electronics, LLC**, Boca Raton, FL (US)

(72) Inventor: **Channing Miller**, Fort Lauderdale, FL (US)

(73) Assignee: **SENSORMATIC ELECTRONICS, LLC**, Boca Raton, FL (US)

(**) Term: **15 Years**

(21) Appl. No.: **29/809,088**

(22) Filed: **Sep. 24, 2021**

Related U.S. Application Data

(63) Continuation of application No. 29/747,984, filed on Aug. 26, 2020.

(51) **LOC (13) Cl.** **10-05**

(52) **U.S. Cl.**
USPC **D10/106.9**

(58) **Field of Classification Search**
USPC D10/106.9, 106.91–106.94, 106.1, D10/104.1–104.2, 121; D16/134, 208, D16/217; D24/112–114; D9/439, 453
CPC G08B 13/2434; E05B 73/0017; Y10T 70/5004; Y10T 70/5009
See application file for complete search history.

(56) **References Cited**

U.S. PATENT DOCUMENTS

D178,767 S * 9/1956 De Grave, Jr. D16/134
D199,440 S * 10/1964 Jones et al. D9/439
D318,812 S * 8/1991 Matsuura et al.
D328,753 S * 8/1992 Surber D16/132
D337,775 S * 7/1993 Takahashi D16/134
D343,368 S * 1/1994 Witzky D10/106.91
D347,650 S * 6/1994 Takahashi D16/134

D379,361 S * 5/1997 Leonard D16/217
D389,502 S * 1/1998 Lee D16/217
D432,442 S 10/2000 Sayegh

(Continued)

Primary Examiner — George D. Kirschbaum

Assistant Examiner — Lillian Windham

(74) *Attorney, Agent, or Firm* — ArentFox Schiff LLP

(57) **CLAIM**

The ornamental design for a security tag, as shown and described.

DESCRIPTION

FIG. 1 is a top perspective view of a security tag in a disengaged state showing my new design;

FIG. 2 is a bottom perspective view of the design shown in FIG. 1;

FIG. 3 is a left side view of the design shown in FIG. 1;

FIG. 4 is a right side view of the design shown in FIG. 1;

FIG. 5 is a front view of the design shown in FIG. 1;

FIG. 6 is a rear view of the design shown in FIG. 1;

FIG. 7 is a top plan view of the design shown in FIG. 1;

FIG. 8 is a bottom plan view of the design shown in FIG. 1;

FIG. 9 is a top perspective view of the security tag shown in an engaged state;

FIG. 10 is a bottom perspective view of the design shown in FIG. 9;

FIG. 11 is a left side view of the design shown in FIG. 9;

FIG. 12 is a right side view of the design shown in FIG. 9;

FIG. 13 is a front view of the design shown in FIG. 9;

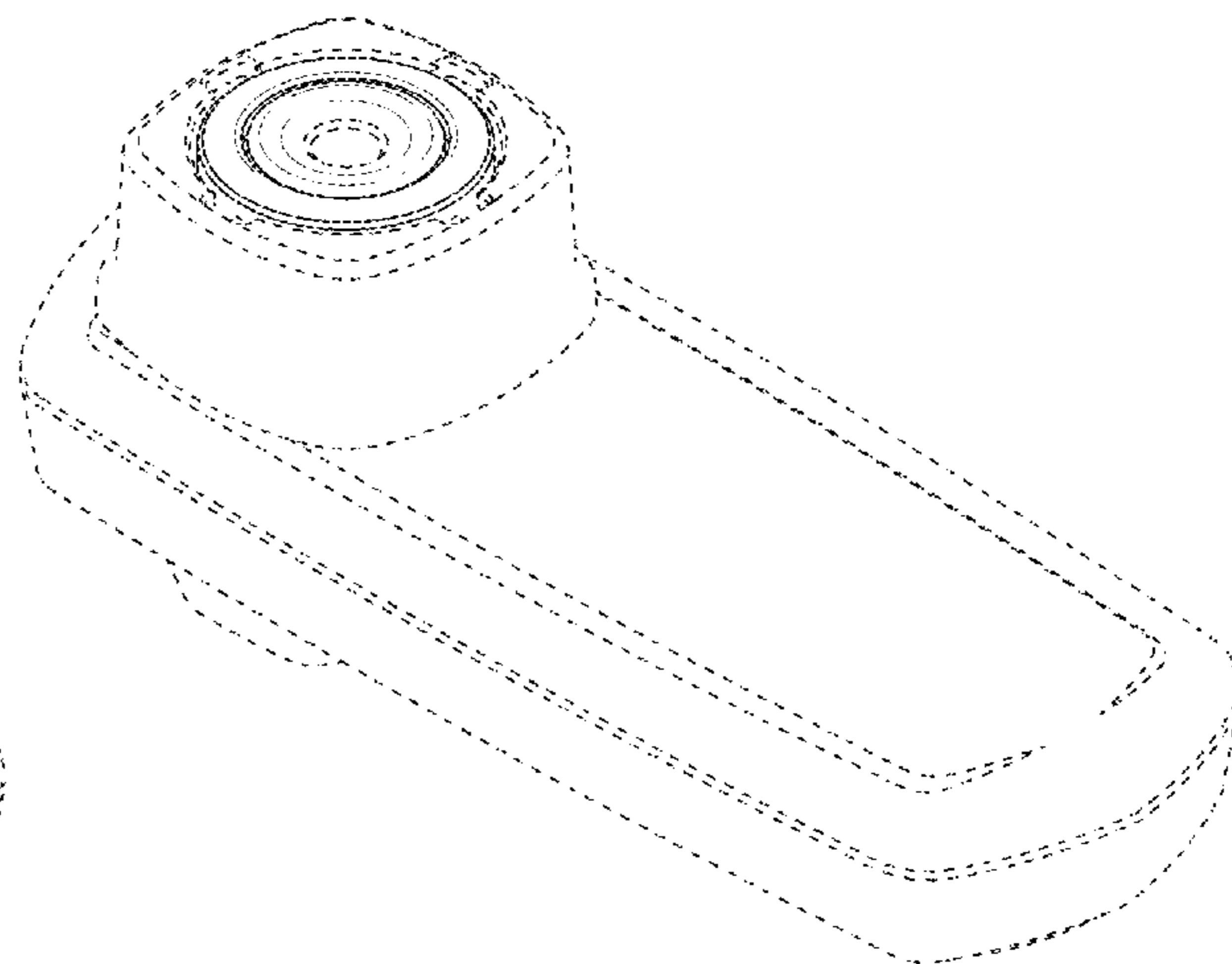
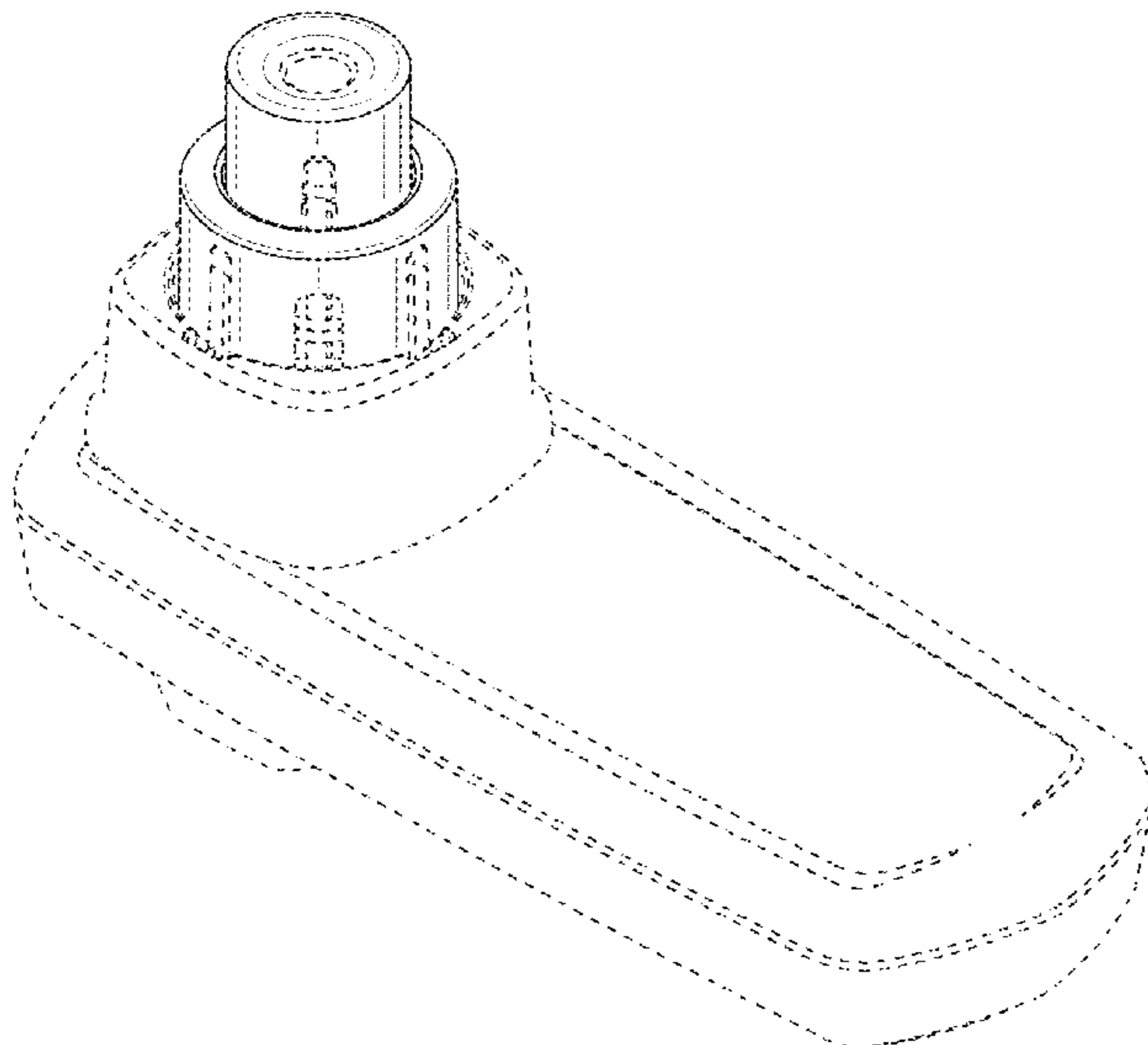
FIG. 14 is a rear view of the design shown in FIG. 9;

FIG. 15 is a top plan view of the design shown in FIG. 9; and,

FIG. 16 is a bottom plan view of the design shown in FIG. 9.

The broken lines shown in the figures are included for the purpose of illustrating portions of the security tag and form no part of the claimed design.

1 Claim, 16 Drawing Sheets



(56)

References Cited

U.S. PATENT DOCUMENTS

D453,472 S *	2/2002	Kwong	D9/447	D830,539 S *	10/2018	Boyaval	D24/113
6,449,991 B1 *	9/2002	Hogan	E05B 73/0017 70/57.1	D844,236 S *	3/2019	Tidnam	D27/169
D471,121 S *	3/2003	Perez	D10/106.91	D858,284 S *	9/2019	Murac	D9/454
D472,630 S *	4/2003	Douglas	D24/129	D867,880 S *	11/2019	Sacchetti	D24/112
D479,995 S *	9/2003	Duceppe	D9/434	D876,229 S *	2/2020	Sacchetti	D24/112
D532,710 S	11/2006	Sisk		D881,007 S *	4/2020	Christianson	D9/448
D540,363 S *	4/2007	Tokiwa	D16/134	D882,070 S *	4/2020	Inoh	D24/112
D568,363 S *	5/2008	Funakoshi	D16/217	D882,440 S	4/2020	Miller et al.	
D649,076 S	11/2011	Alexander		D885,953 S	6/2020	Napthine	
D696,150 S	12/2013	Wu et al.		D886,281 S *	6/2020	Boyaval	D24/113
D696,151 S	12/2013	Wu et al.		D890,330 S *	7/2020	Wang	D24/114
D696,600 S	12/2013	Wu et al.		D890,915 S *	7/2020	Wang	D24/114
D709,398 S	7/2014	Leyden		D899,926 S *	10/2020	Guduru	D9/439
D714,670 S	10/2014	Wu et al.		D902,386 S *	11/2020	Guala	D24/112
D732,389 S *	6/2015	Nickel	D9/453	D906,805 S *	1/2021	Guduru	D9/439
D747,386 S *	1/2016	Li	D16/208	D915,918 S	4/2021	Miller et al.	
D758,568 S *	6/2016	Wohlfahrt	D24/113	D925,027 S *	7/2021	Zanotti	D23/366
D768,492 S *	10/2016	Kim	D9/434	D926,967 S *	8/2021	Rogge	D24/113
D772,089 S	11/2016	Yang et al.		D926,972 S *	8/2021	Coats	D24/114
D776,867 S *	1/2017	Rado	D27/162	D926,976 S *	8/2021	Phillips	D24/127
D787,054 S *	5/2017	Rini	D24/130	11,156,022 B2 *	10/2021	Claeys	G08B 13/2434
D810,281 S *	2/2018	Holmqvist	A61M 5/3202 D24/112	D941,145 S *	1/2022	Wang	D9/454
D816,831 S *	5/2018	Sacchetti	D24/127	11,225,363 B2 *	1/2022	Guduru	B65D 51/24
					11,244,550 B1 *	2/2022	Xu	E05B 15/0073
					2016/0258192 A1 *	9/2016	Bouan	E05B 39/002
					2018/0334836 A1 *	11/2018	Miller	G08B 13/2434
					2021/0097831 A1 *	4/2021	Miller	E05B 73/0052
					2021/0225143 A1 *	7/2021	Weakley	G08B 13/2417

* cited by examiner

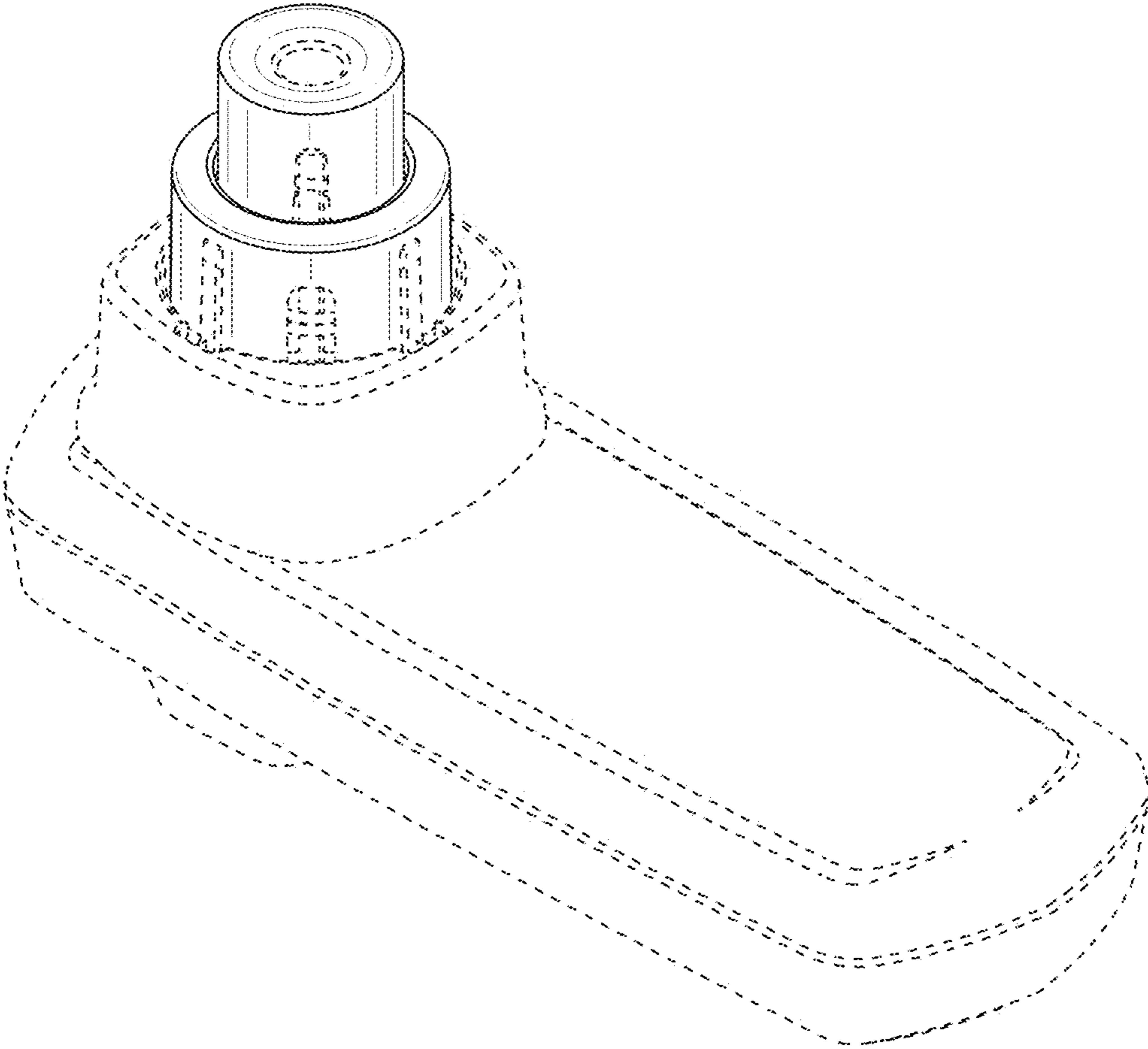


FIG. 1

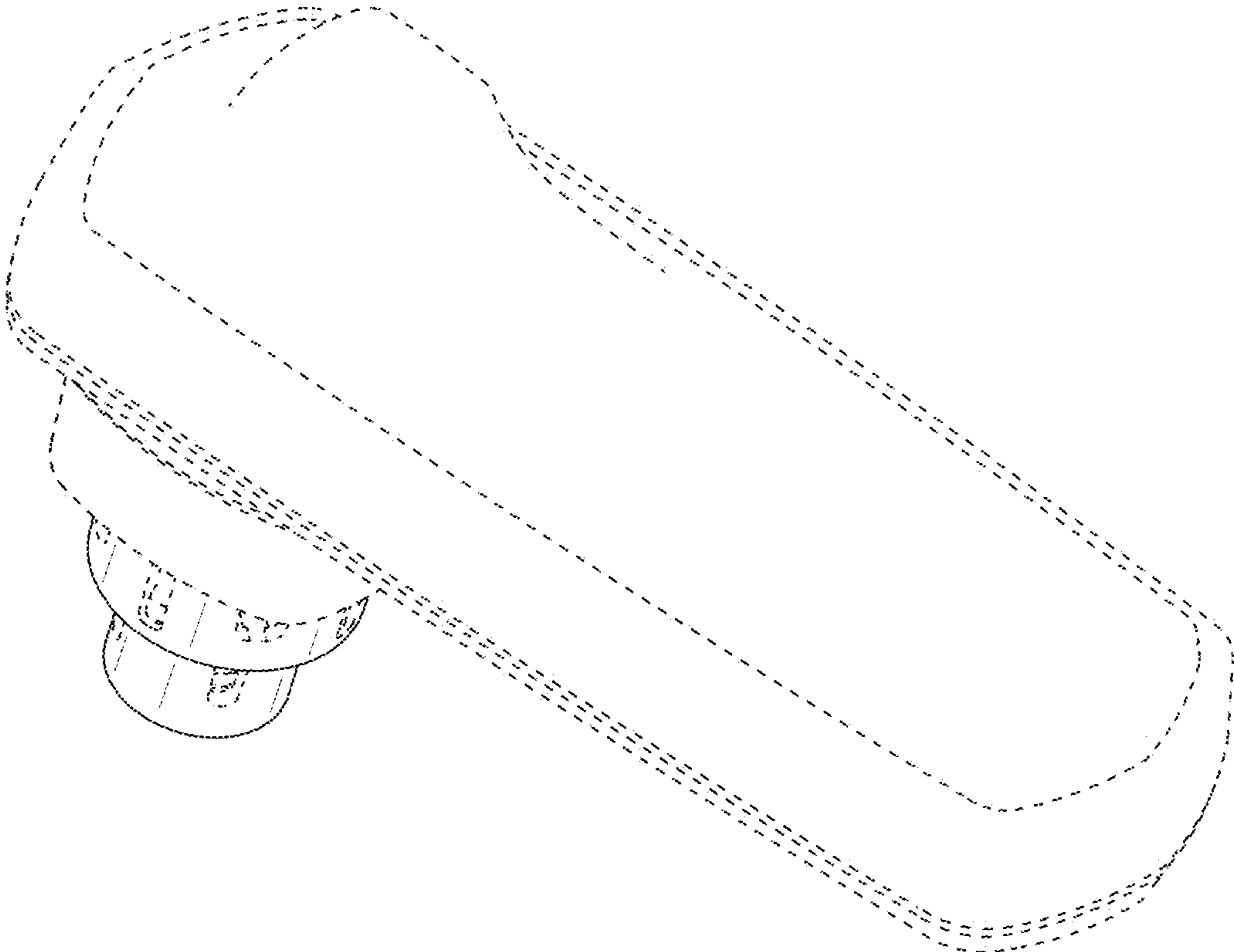


FIG. 2

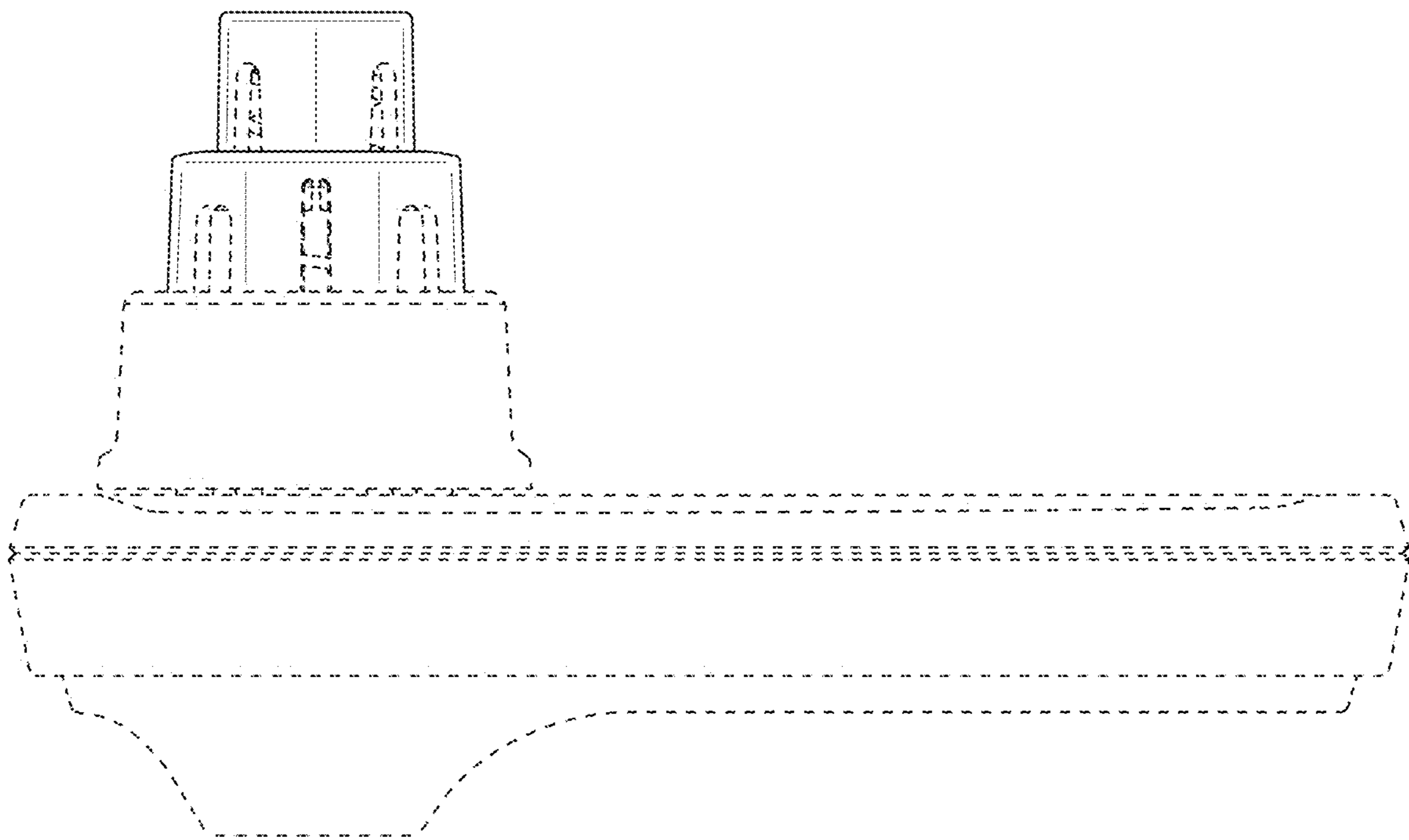


FIG. 3

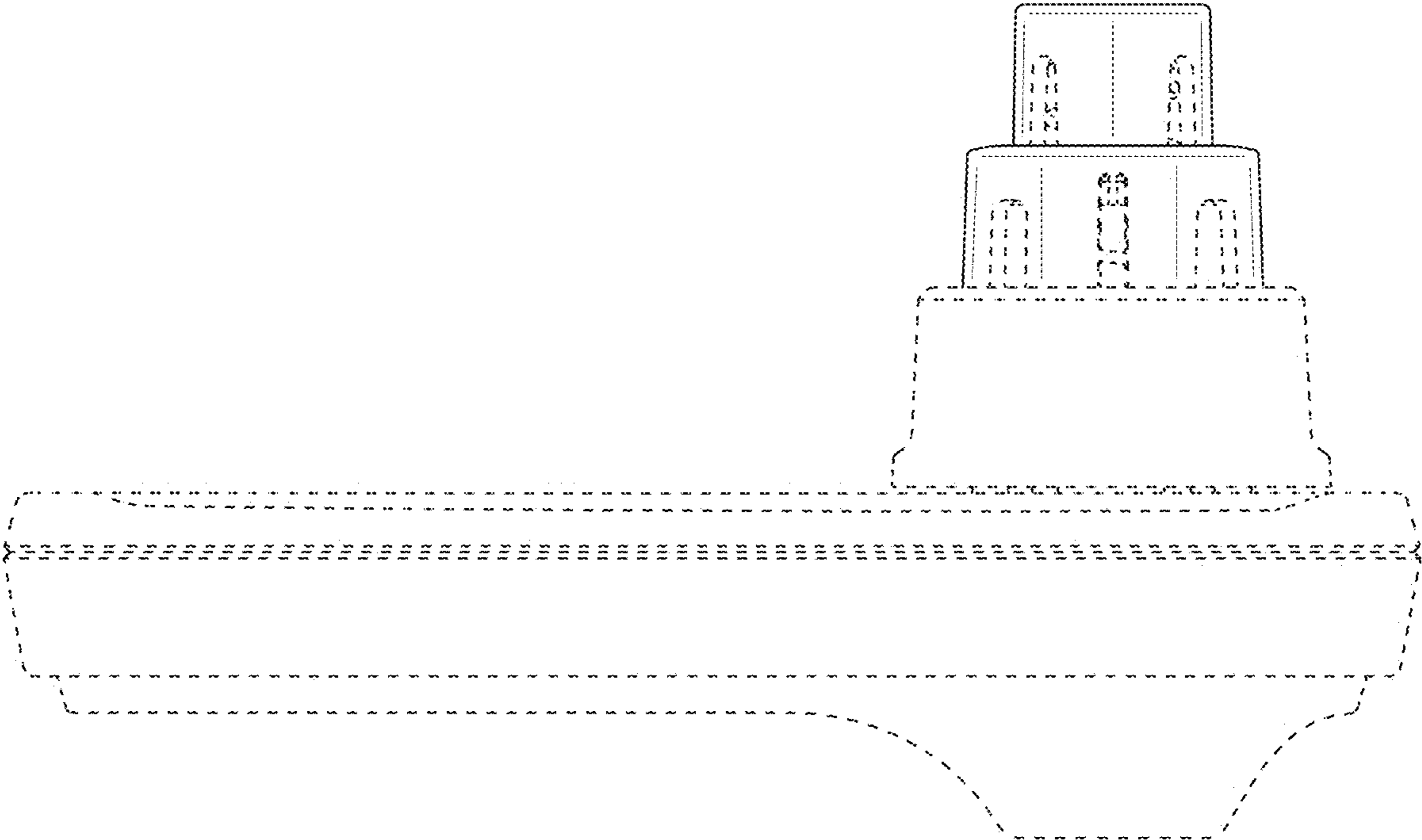


FIG. 4

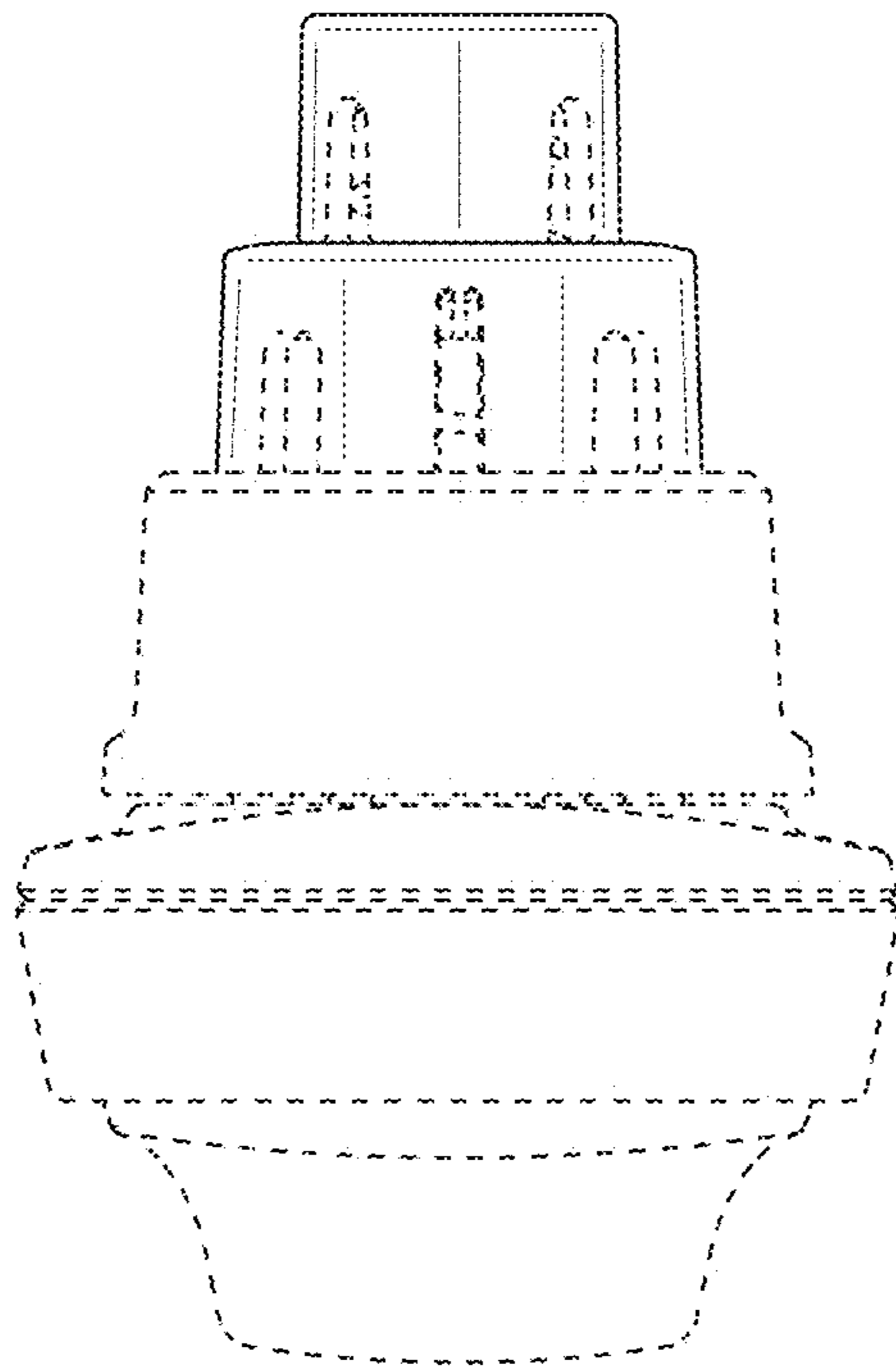


FIG. 5

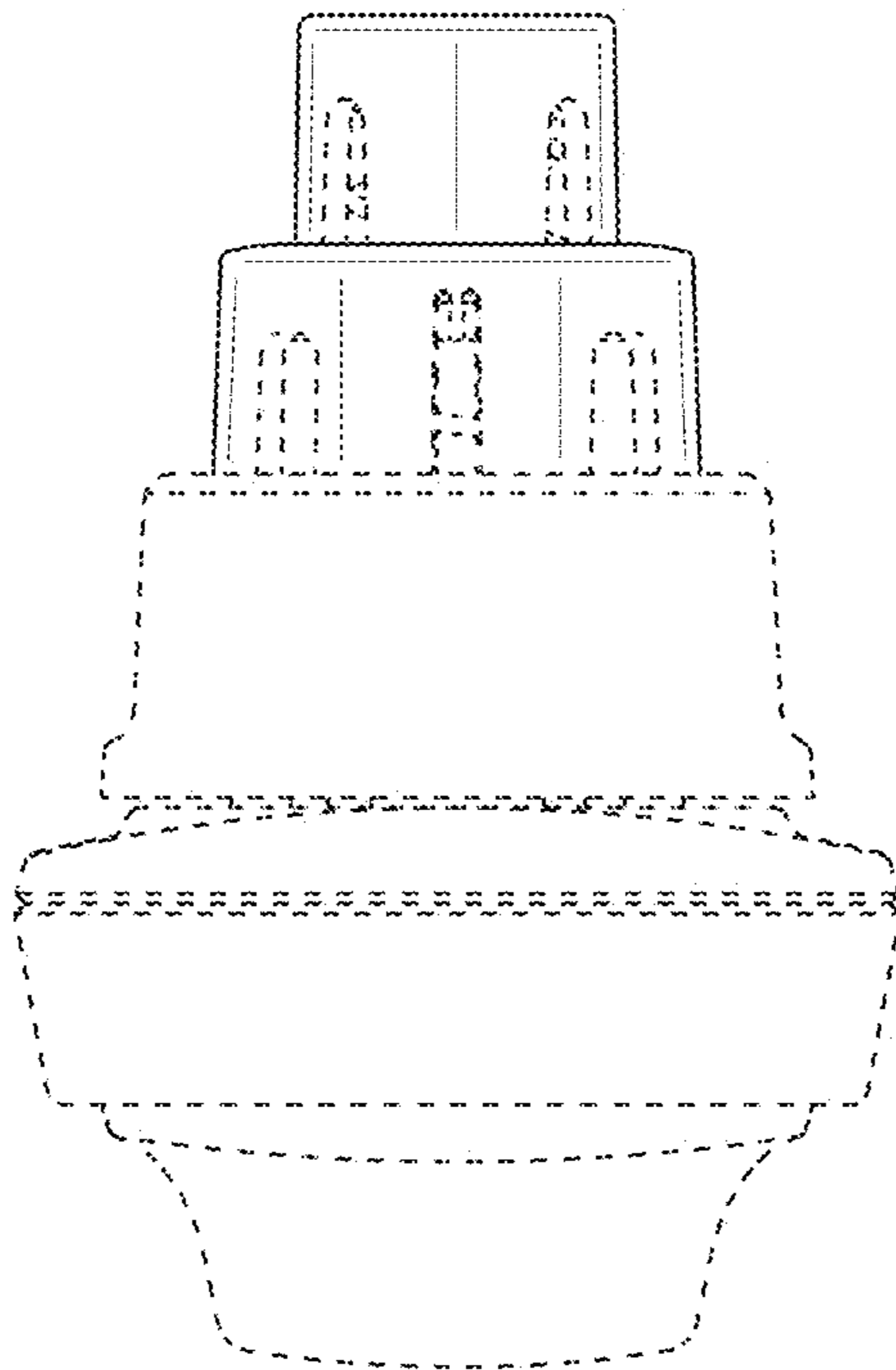


FIG. 6

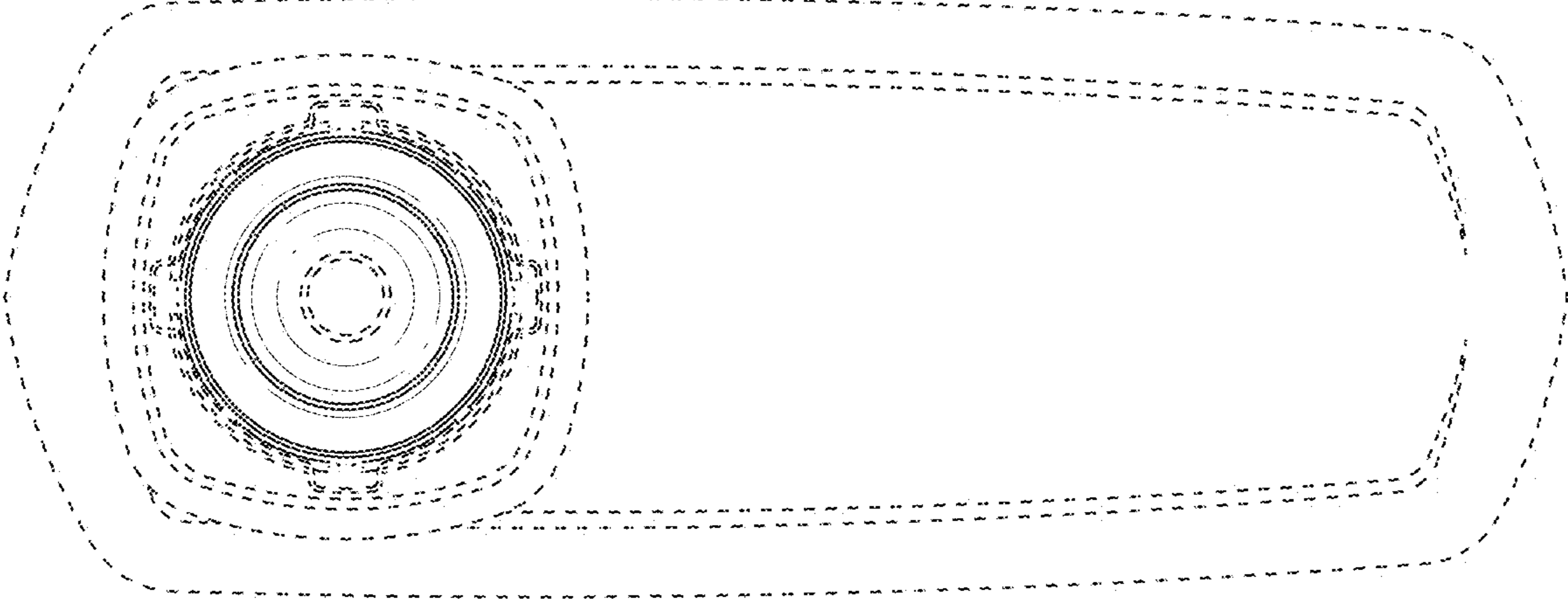


FIG. 7

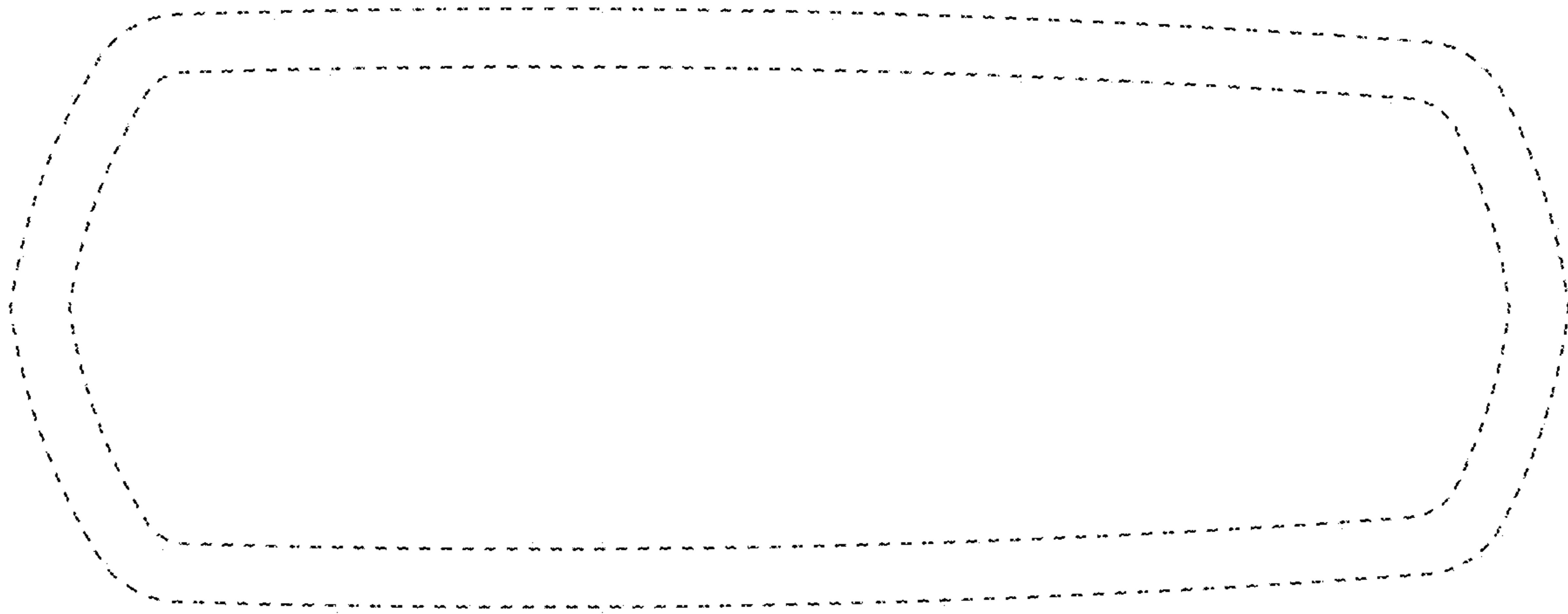


FIG. 8

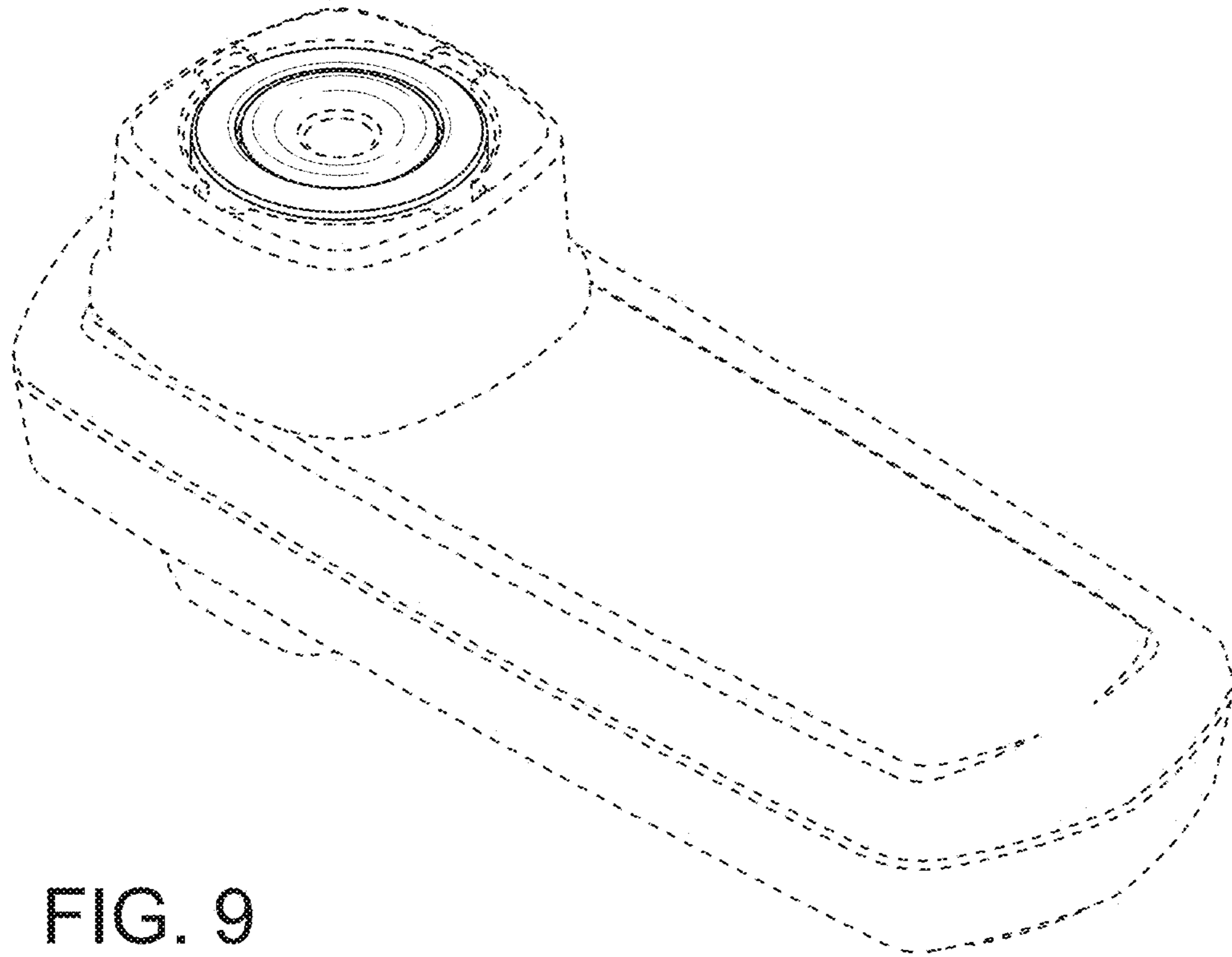


FIG. 9

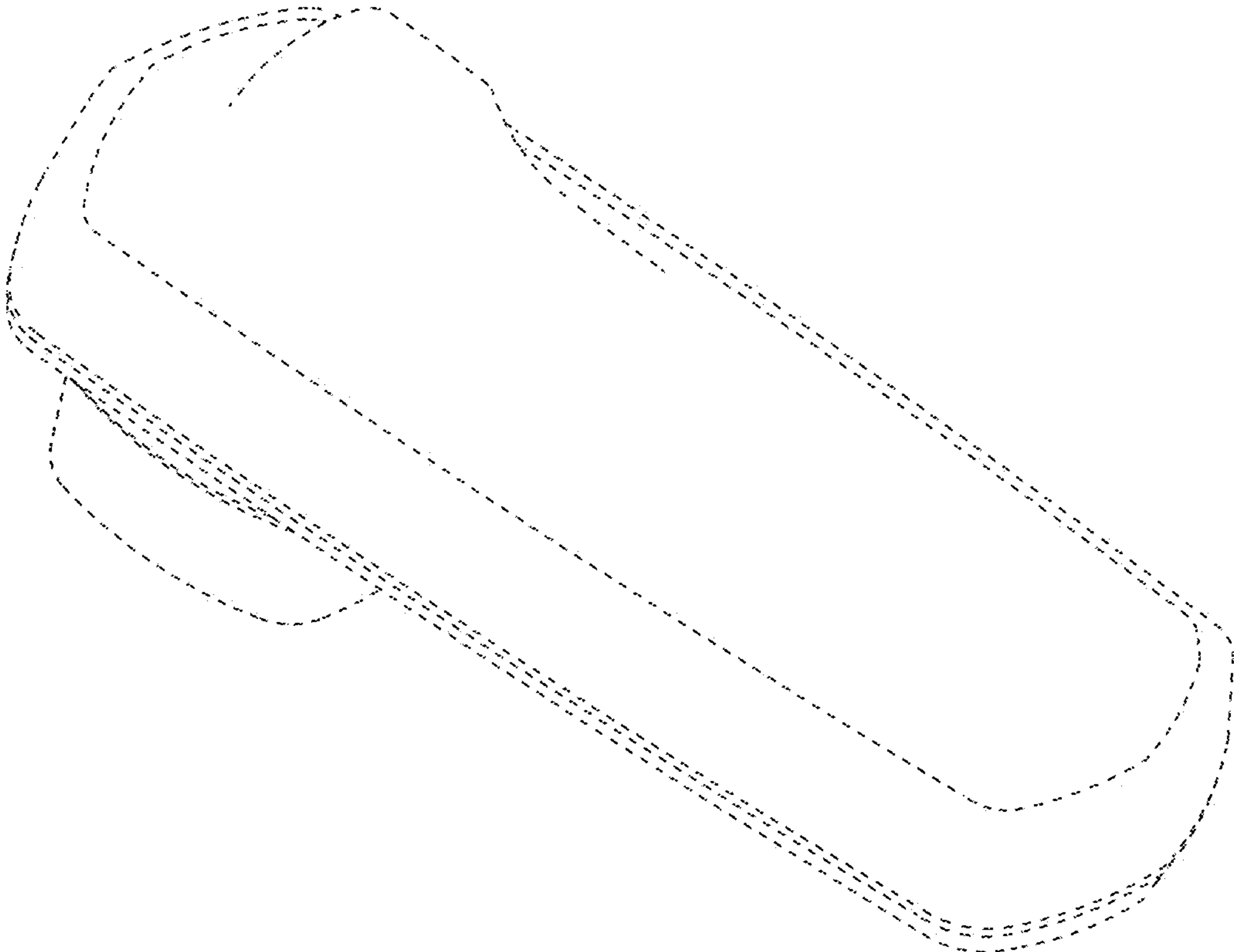


FIG. 10

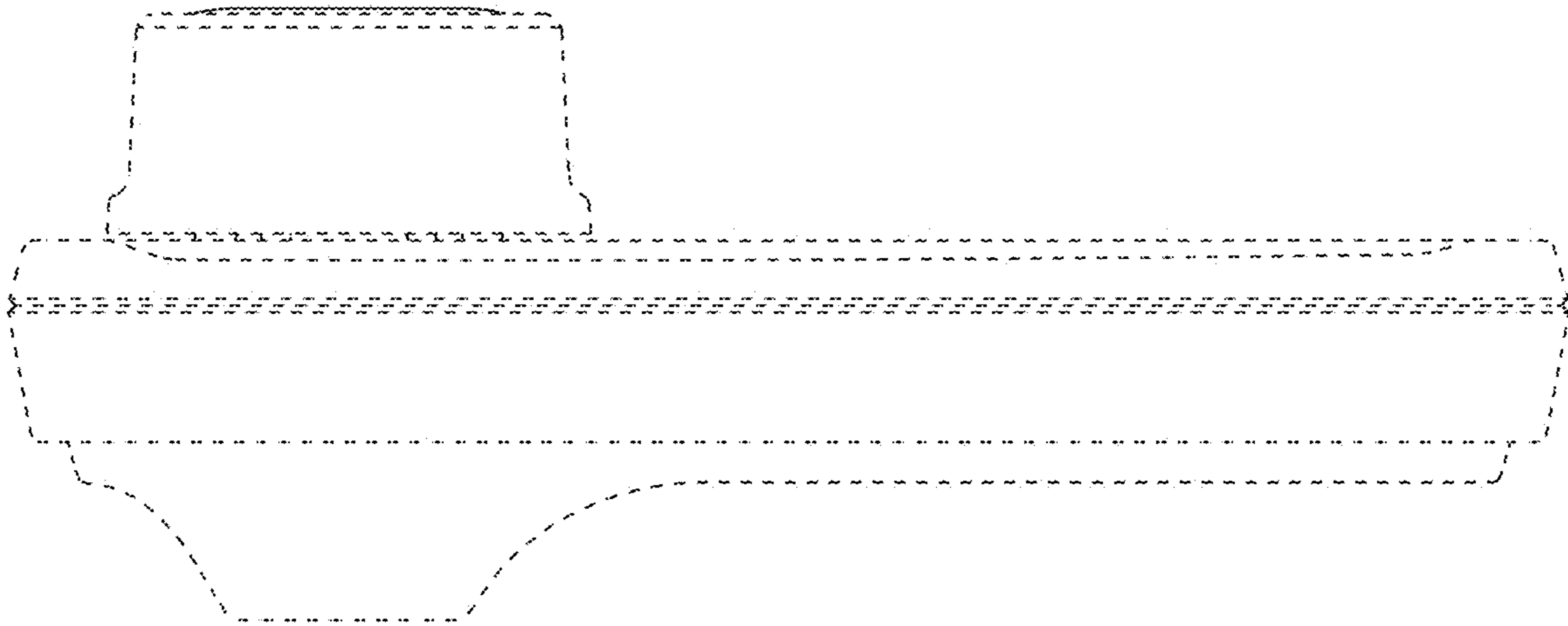


FIG. 11

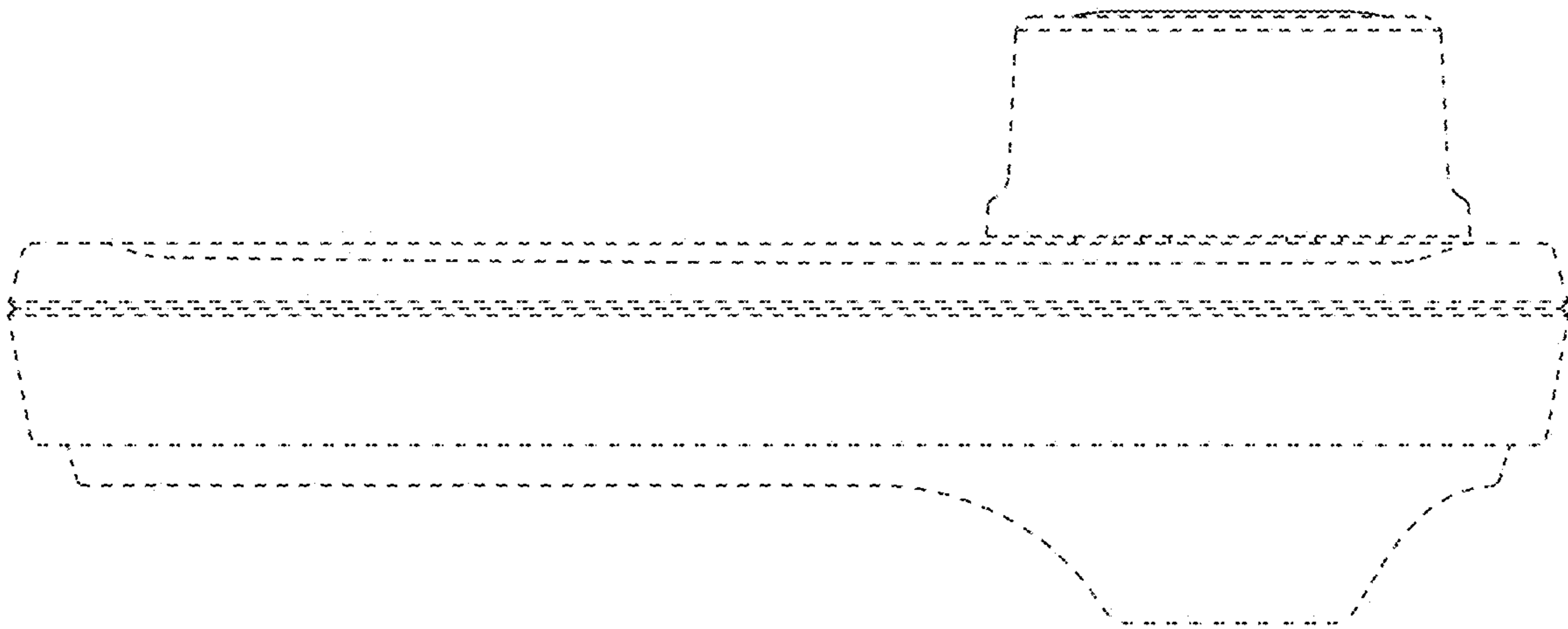


FIG. 12

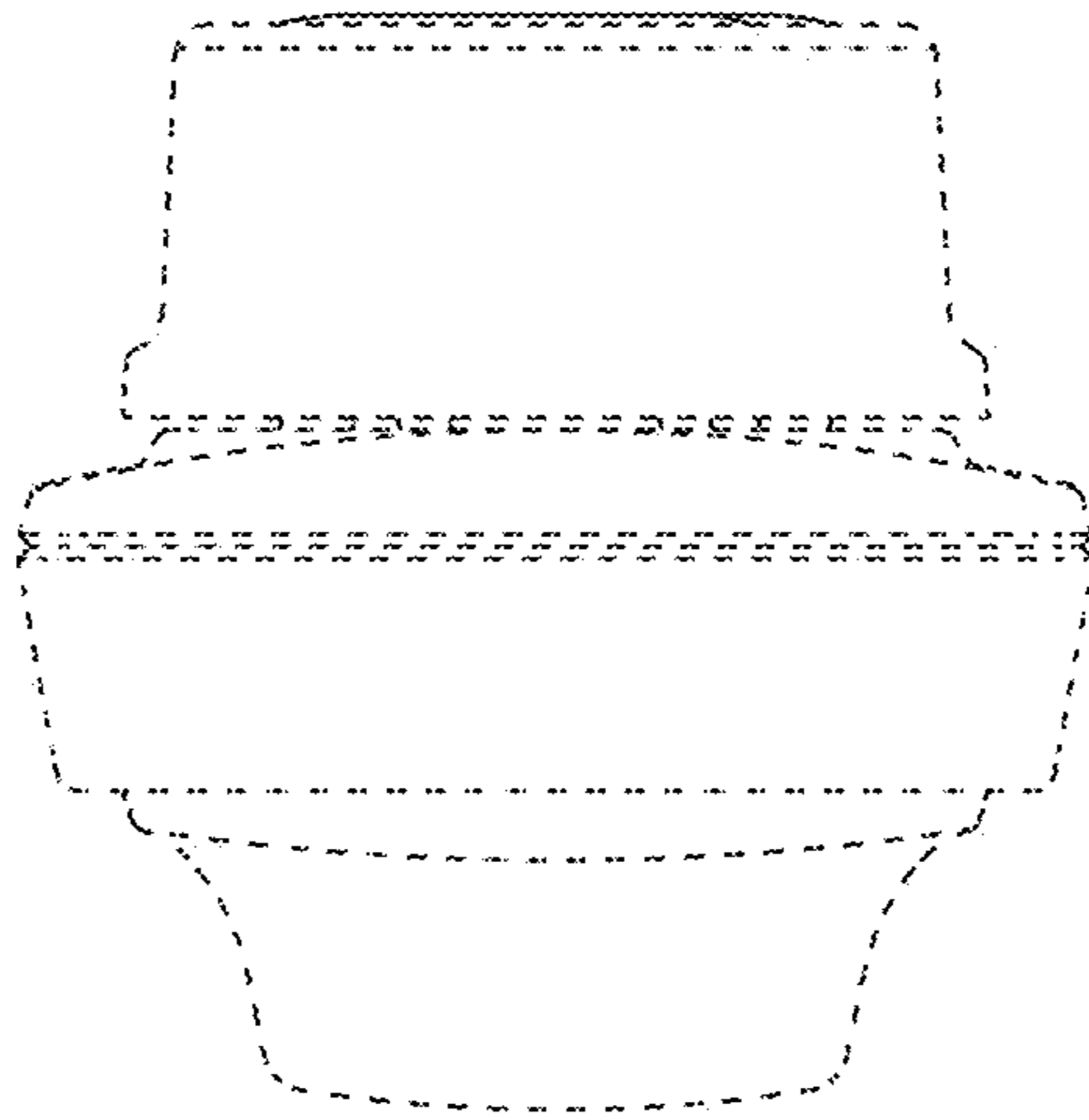


FIG. 13

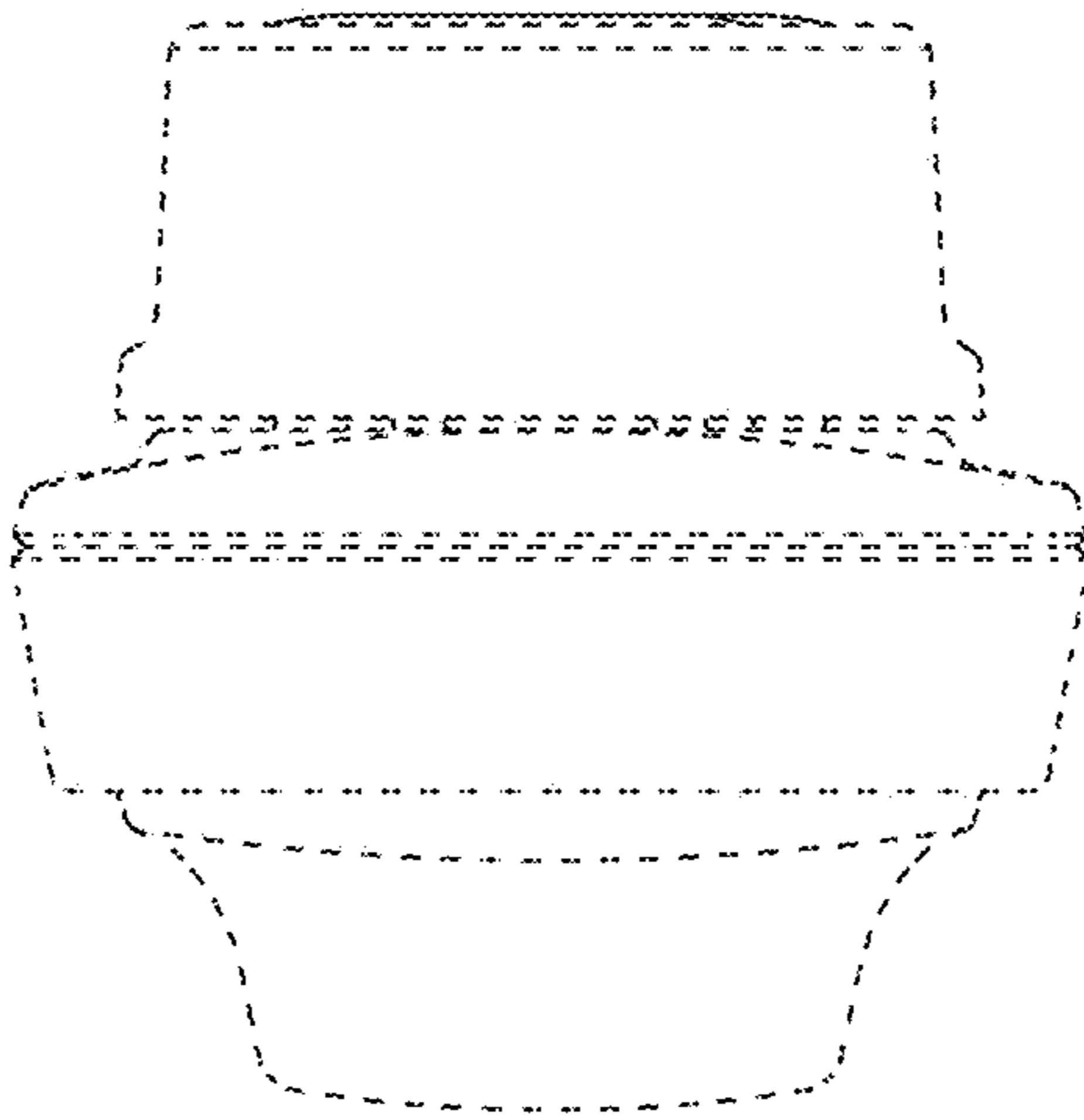


FIG. 14

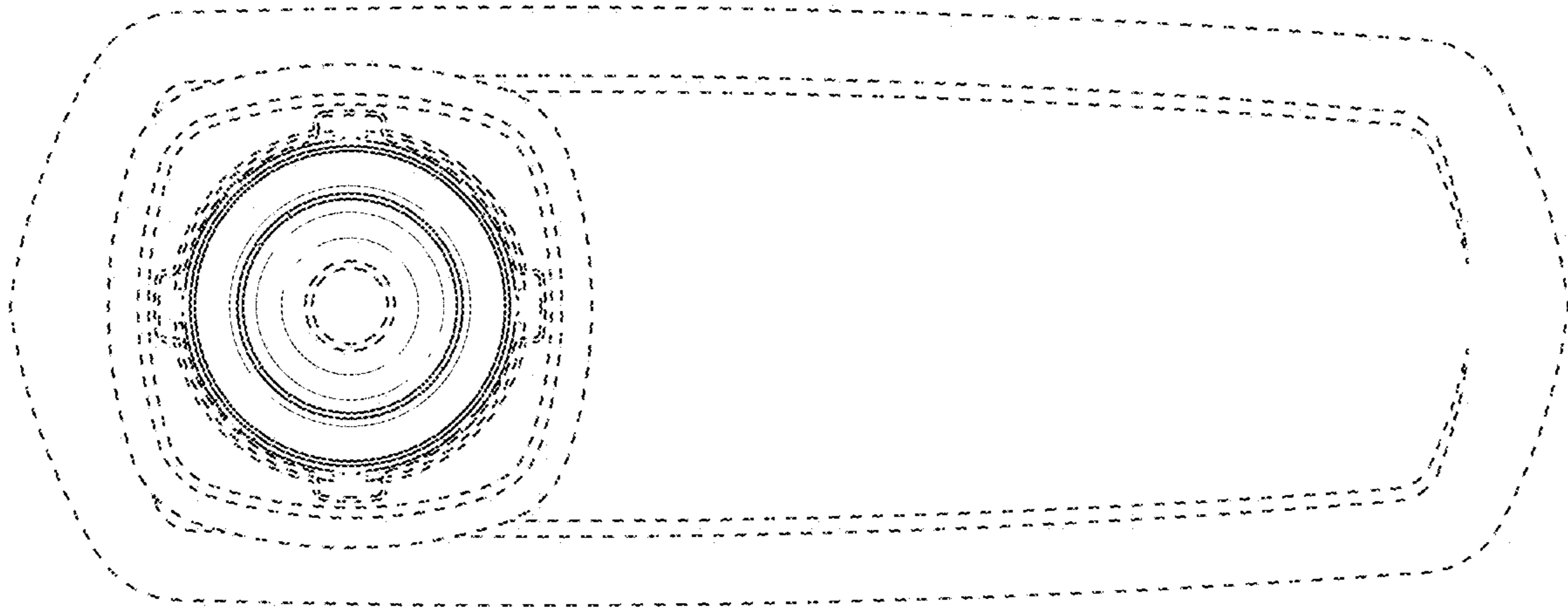


FIG. 15

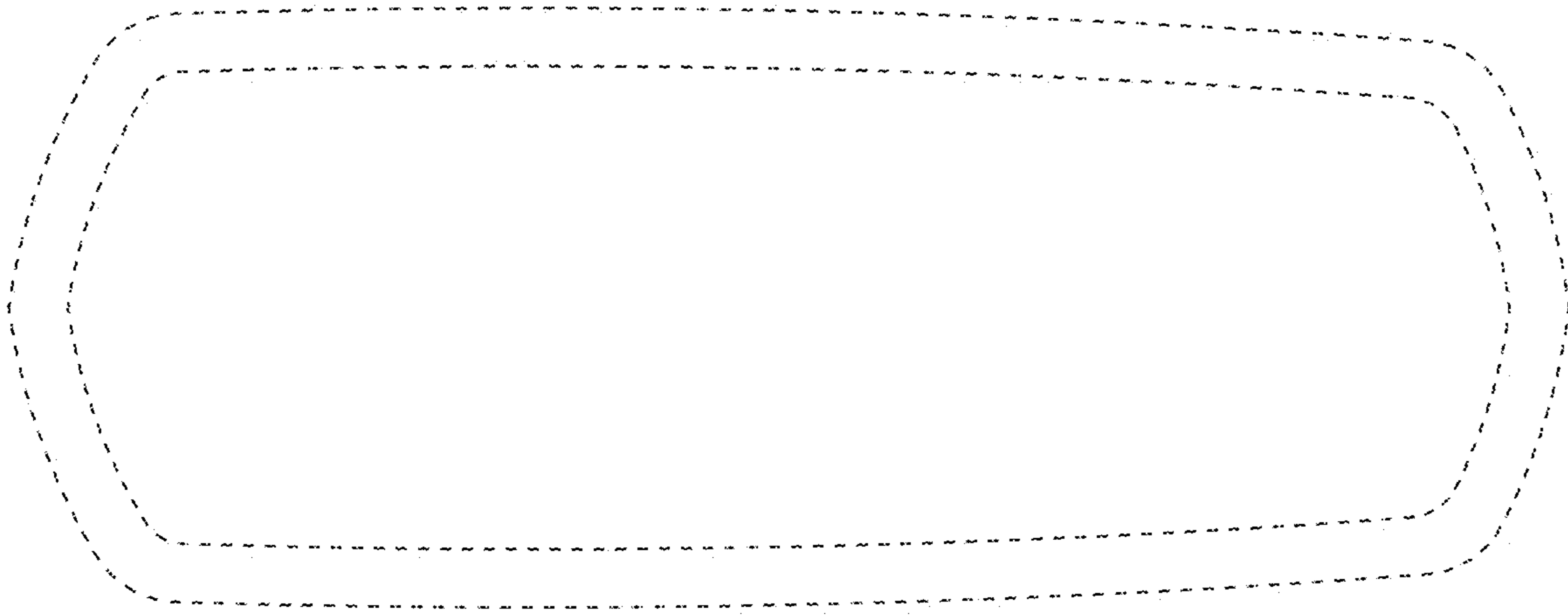


FIG. 16