



US00D952493S

(12) **United States Design Patent**  
**Datz et al.**

(10) **Patent No.:** **US D952,493 S**

(45) **Date of Patent:** **\*\* May 24, 2022**

(54) **BACKUP ALARM**

(71) Applicant: **STAR HEADLIGHT & LANTERN CO., INC.**, Avon, NY (US)

(72) Inventors: **R. Michael Datz**, Greece, NY (US);  
**Stephen T. Vukosic**, Avon, NY (US)

(73) Assignee: **Star Headlight & Lantern Co., Inc.**, Avon, NY (US)

(\*\*) Term: **15 Years**

(21) Appl. No.: **29/663,310**

(22) Filed: **Sep. 13, 2018**

(51) **LOC (13) Cl.** ..... **10-05**

(52) **U.S. Cl.**  
USPC ..... **D10/106.1**

(58) **Field of Classification Search**  
USPC ..... D10/104.1, 106.1, 106.95, 116.1, 120;  
340/463, 435, 436, 384.1, 384.4  
CPC ..... G08B 7/06; H04R 1/345  
See application file for complete search history.

(56) **References Cited**

**U.S. PATENT DOCUMENTS**

4,603,317	A *	7/1986	Gailbreath	.....	B60R 16/0373 331/108 D
4,963,855	A	10/1990	Kojima		
D347,596	S *	6/1994	Jackson	.....	D10/106.1
D370,862	S *	6/1996	John-Hurlow	.....	D10/106.1
D382,221	S	8/1997	Chen		
D391,512	S *	3/1998	Ch	.....	D10/106.1
D397,635	S	9/1998	Chu		
D400,460	S *	11/1998	Ch	.....	D10/106.1
D414,440	S *	9/1999	Ch	.....	D10/106.1
6,166,623	A	12/2000	Coward		
D453,306	S	2/2002	Bekasi		
D485,201	S	1/2004	Corrigan		
D512,336	S	12/2005	Flick		
D513,200	S	12/2005	Lai		

D513,599	S *	1/2006	Coward	.....	D10/120
D513,709	S *	1/2006	Coward	.....	D10/120
D514,010	S	1/2006	Corrigan		
D514,466	S	2/2006	Lai		
D514,973	S	2/2006	Coward		
D516,448	S	3/2006	Lai		
D518,023	S	3/2006	Miller		
D605,966	S	12/2009	Weil		

(Continued)

**OTHER PUBLICATIONS**

“Back-Up Alarms” available Sep. 18, 2015, [online], [site visited Apr. 13, 2021]. Retrieved from Internet, URL:https://web.archive.org/web/20150918001707/https://www.star1889.com/emergency-police-lights-and-accessories/back-up-alarms (Year: 2021).\*

(Continued)

*Primary Examiner* — W. A. Teddy Falloway

*Assistant Examiner* — Katrina N Gonzalez

(74) *Attorney, Agent, or Firm* — Kenneth J. Lu Kacher;  
Kenneth J. LuKacher Law Group

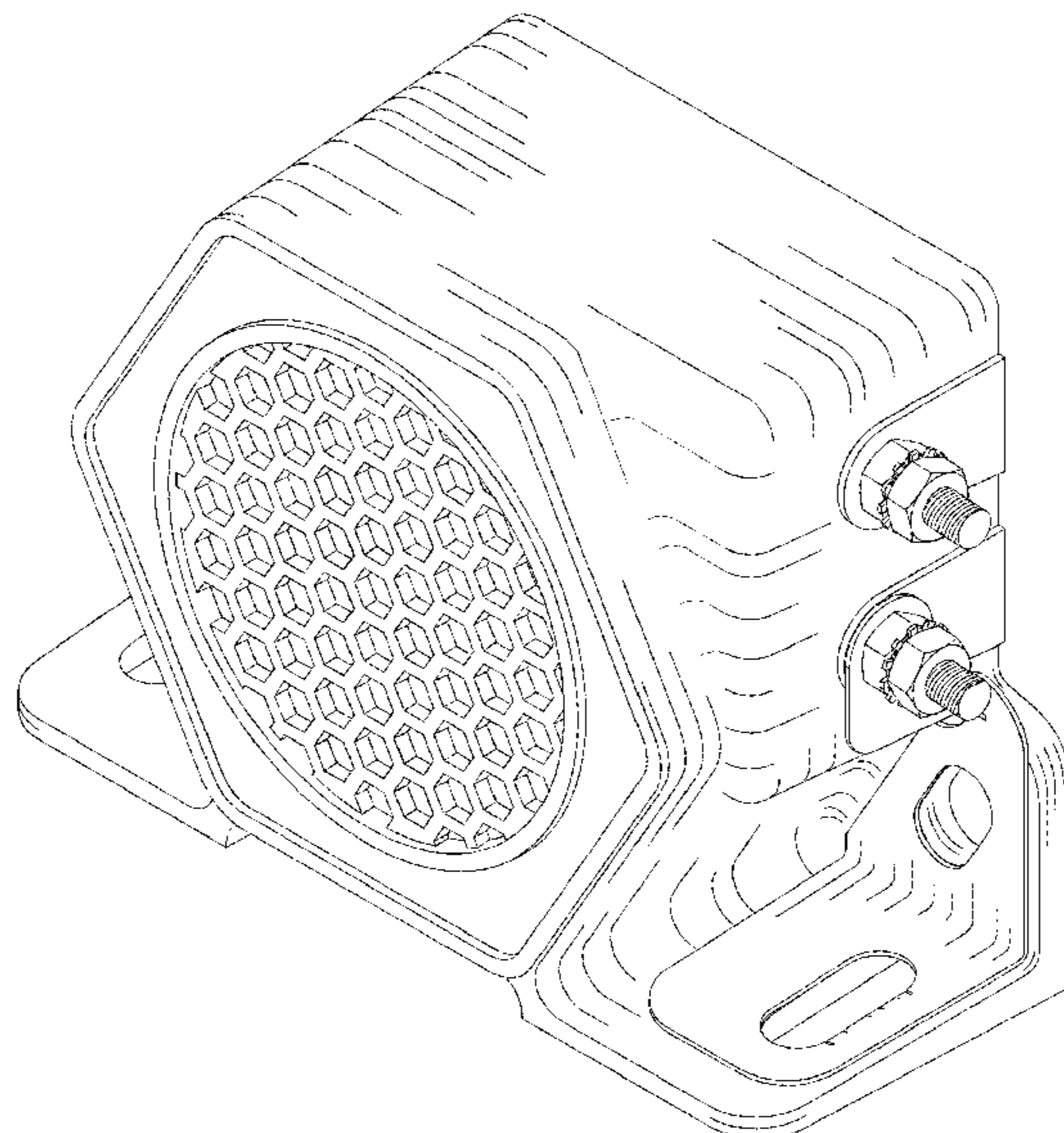
(57) **CLAIM**

The ornamental design for a backup alarm, as shown and described.

**DESCRIPTION**

FIG. 1 is a right, front and top perspective view of a backup alarm in accordance with our design;  
FIG. 2 is a left, front and top perspective view thereof;  
FIG. 3 is a right, rear and top perspective view thereof;  
FIG. 4 is a front view thereof;  
FIG. 5 is a rear view thereof;  
FIG. 6 is a right elevation view thereof;  
FIG. 7 is a left elevation view thereof;  
FIG. 8 is a top view thereof;  
FIG. 9 is a bottom view thereof; and,  
FIG. 10 is a right, front and bottom perspective view thereof.

**1 Claim, 10 Drawing Sheets**



(56)

**References Cited**

U.S. PATENT DOCUMENTS

D639,688 S 6/2011 Neufeglise et al.  
8,669,852 B2\* 3/2014 Neufeglise ..... G08B 7/06  
116/137 R  
D778,756 S 2/2017 Boisse et al.  
D796,367 S 9/2017 Neufeglise et al.  
D798,758 S \* 10/2017 Krishnaswamy ..... D10/120  
9,889,795 B1\* 2/2018 Cronmiller ..... B60Q 1/44  
D856,180 S \* 8/2019 Krishnaswamy ..... D10/106.1  
D874,436 S \* 2/2020 Goltche ..... D14/215  
2011/0102666 A1\* 5/2011 Neufeglise ..... B60Q 1/22  
348/373

OTHER PUBLICATIONS

Star Warning Systems® 2017 Catalog, Star Headlight & Lantern Co., Inc., pp. 72-76, Mar. 2017.

Star Warning Systems® Star Alarm®, Star Headlight & Lantern Co., Inc., Jul. 2008.

Star Warning Systems®, CRS Back-up Alarm, Star Headlight & Lantern Co., Inc., May 2012.

\* cited by examiner

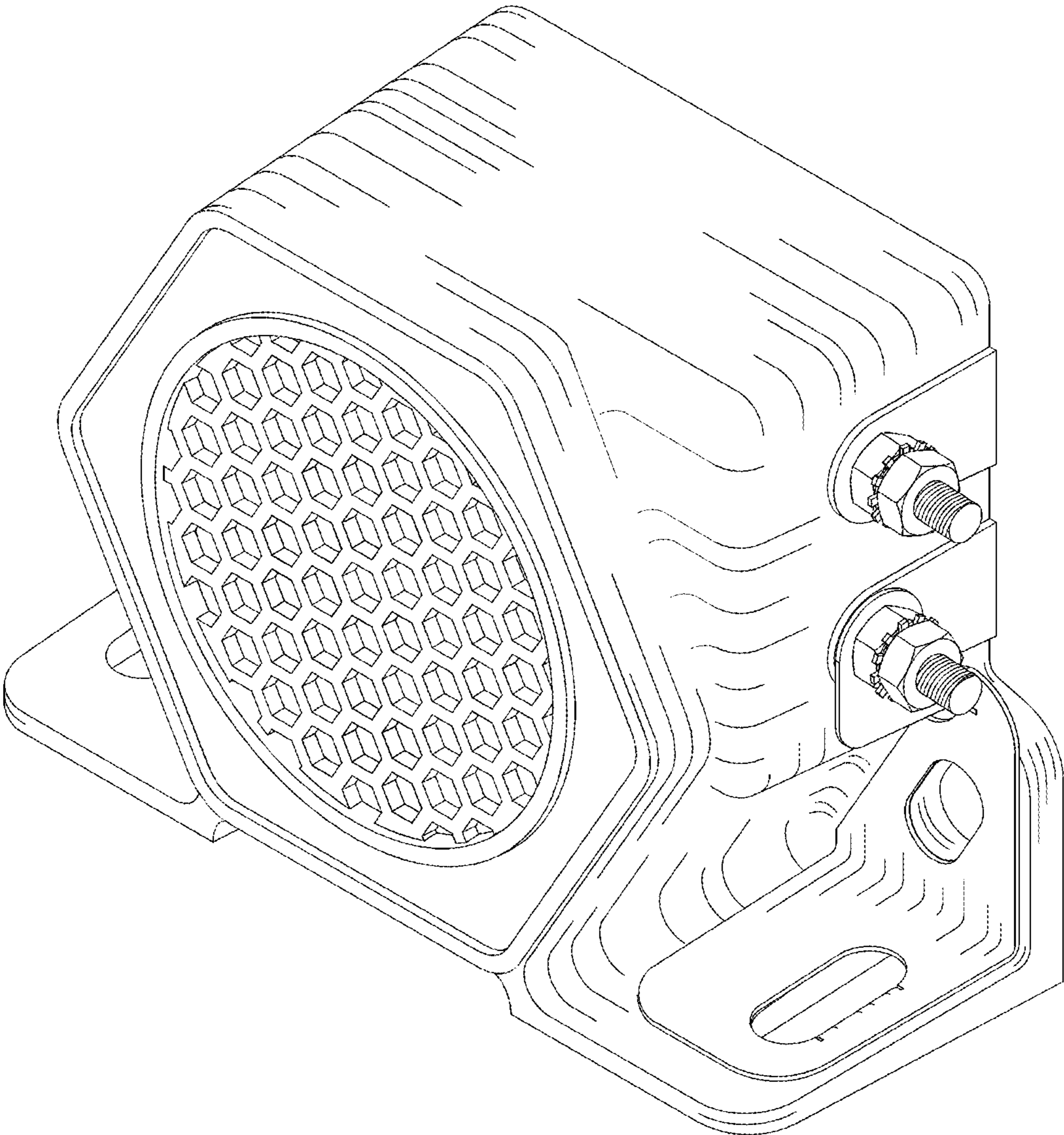


FIG. 1

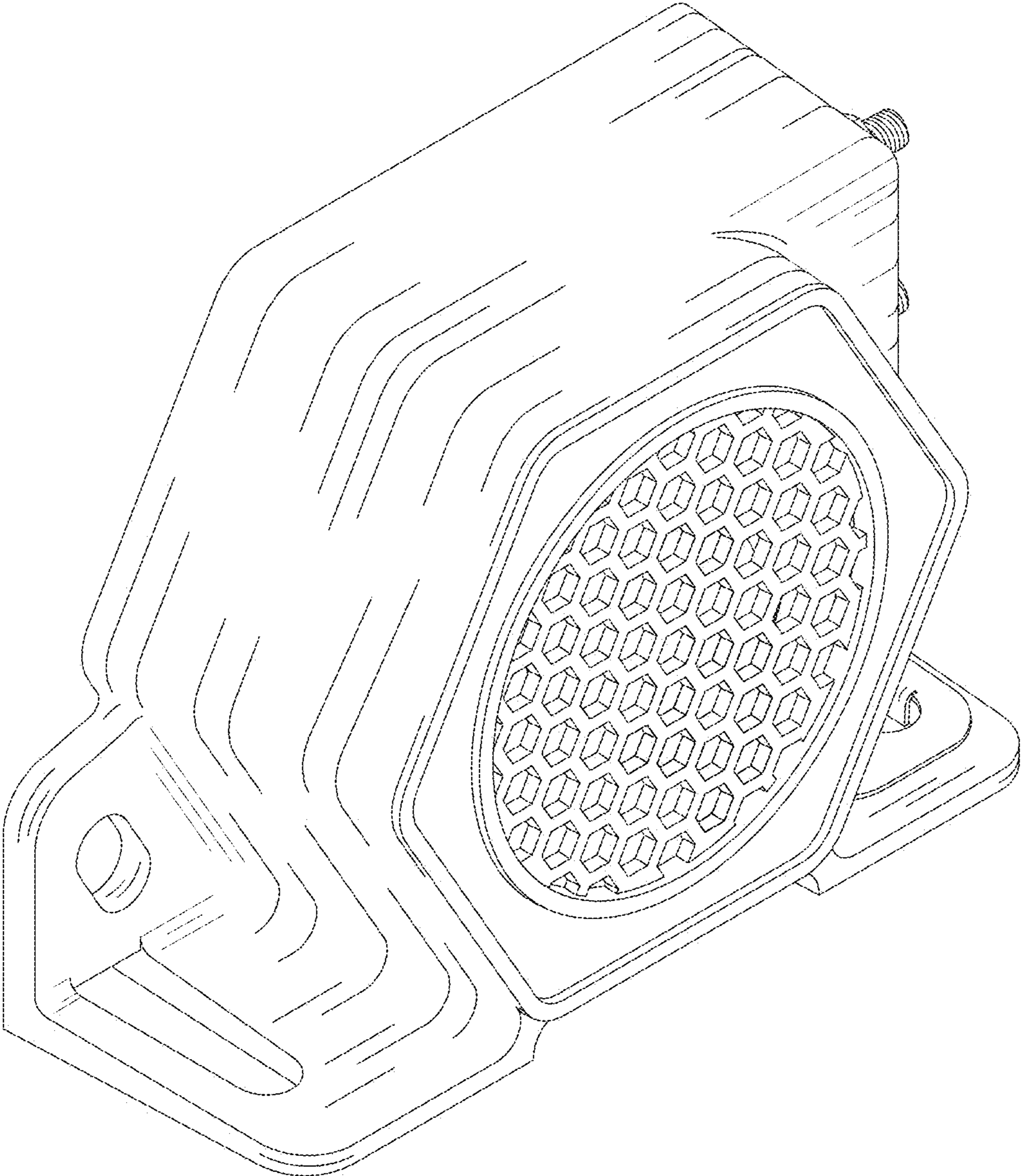


FIG. 2

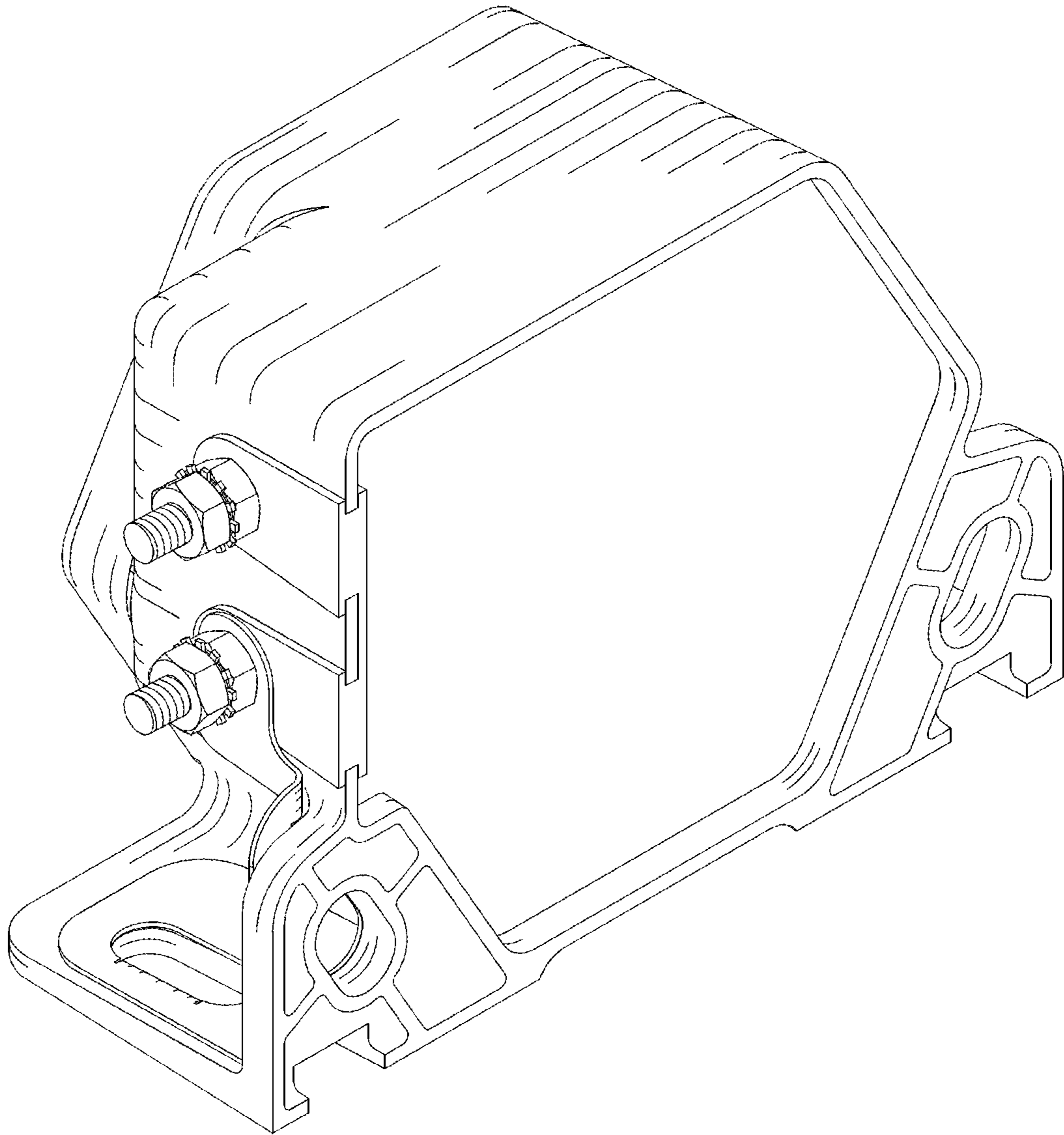


FIG. 3

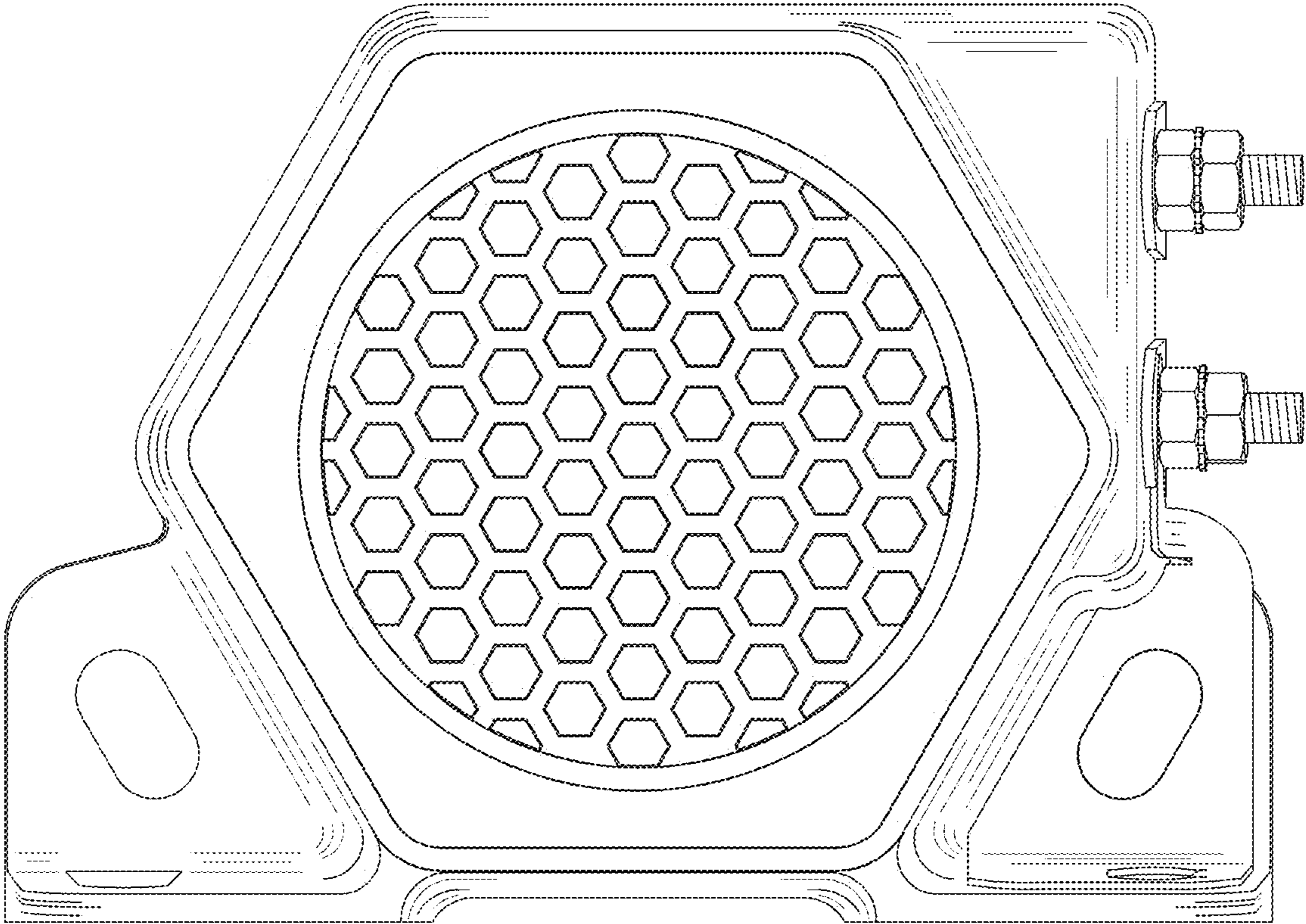


FIG. 4

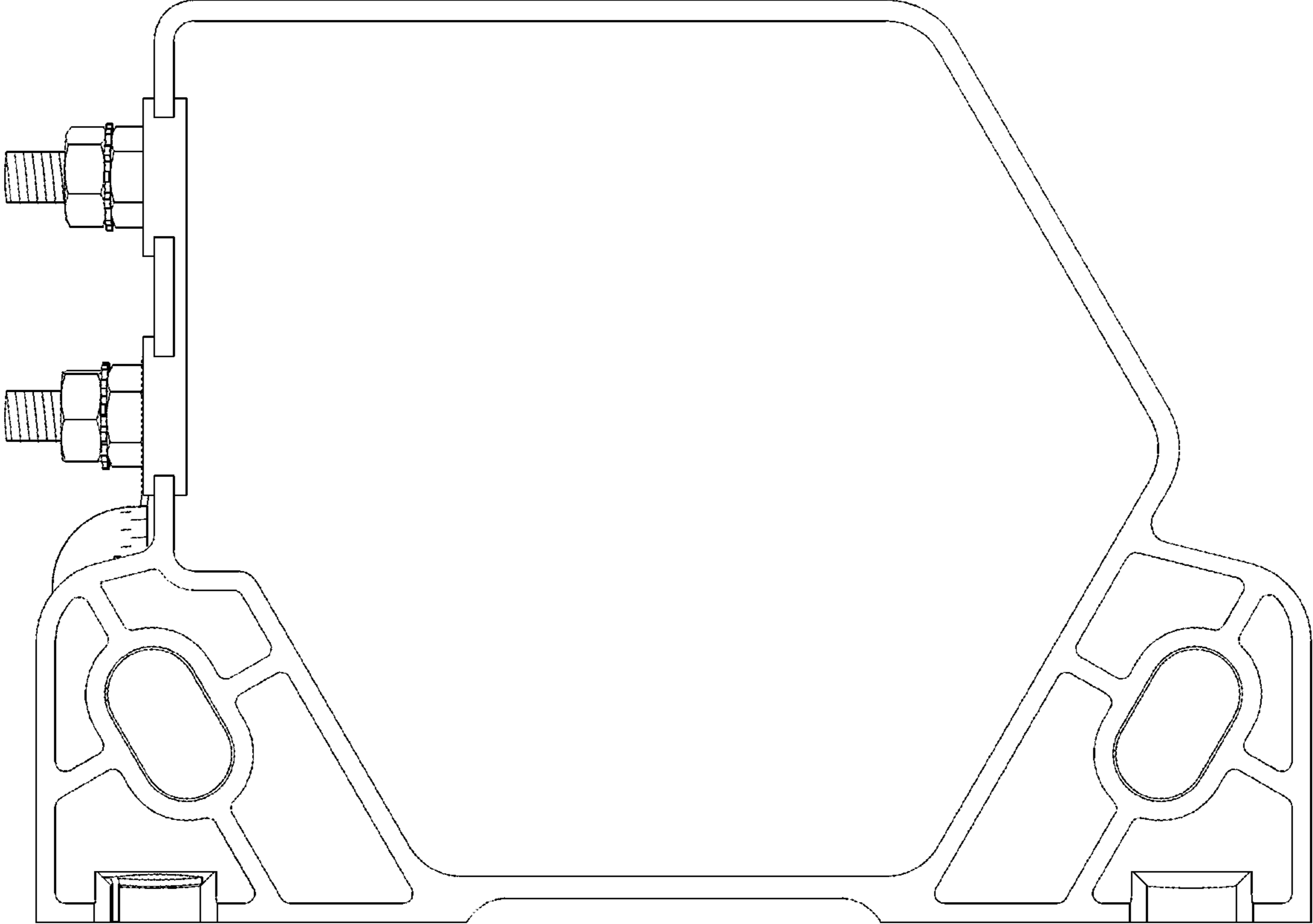


FIG. 5

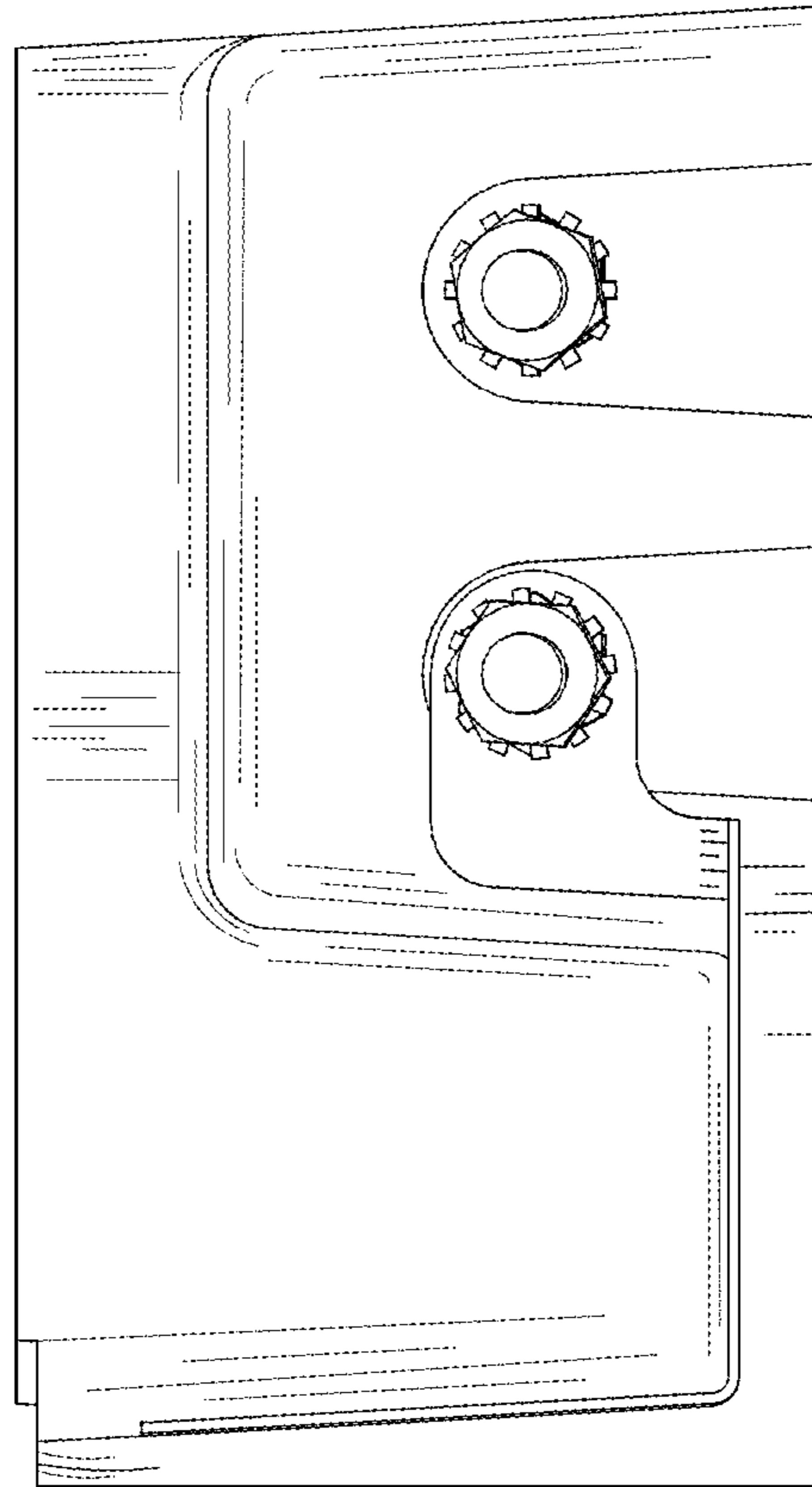


FIG. 6



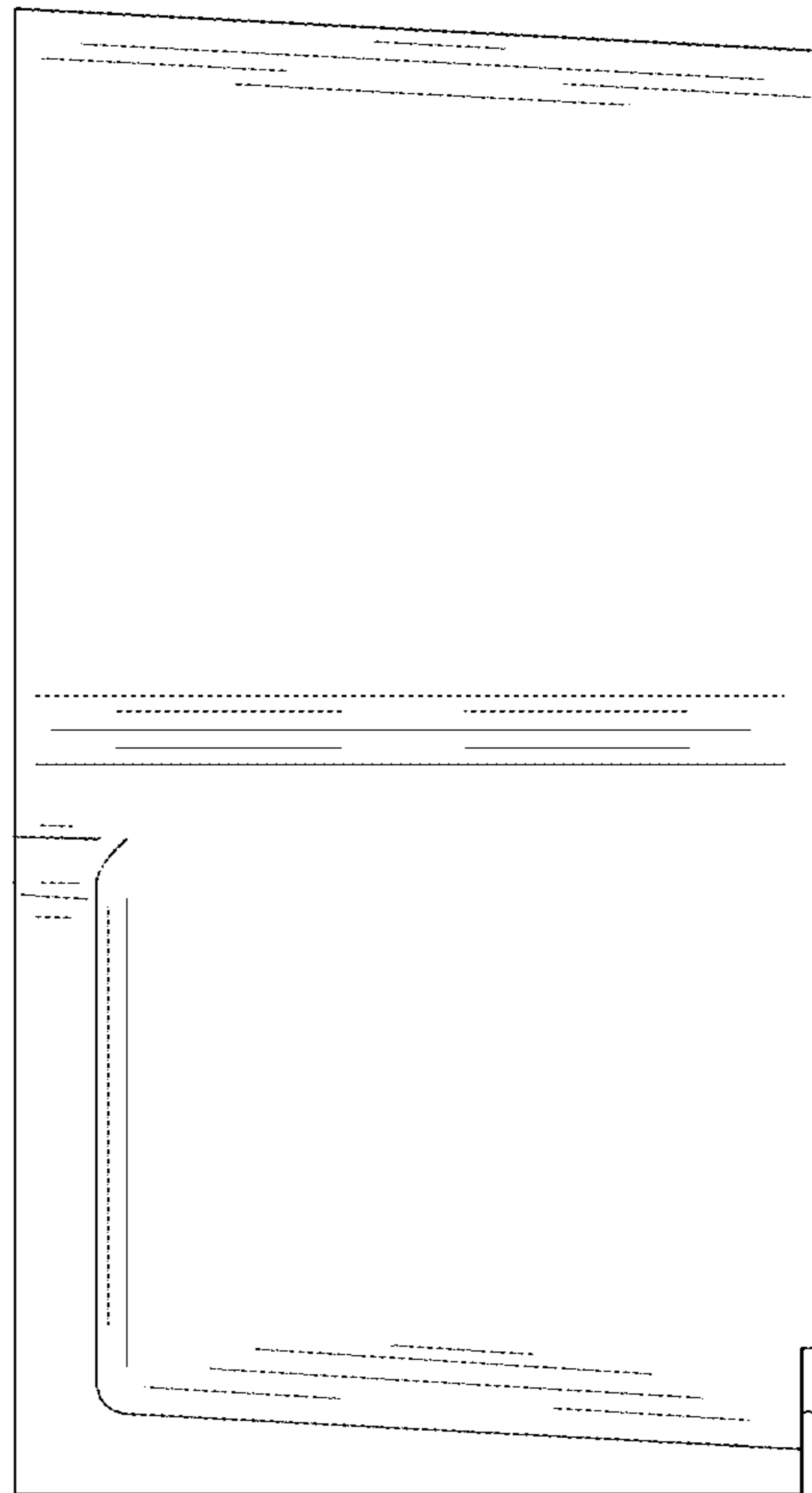


FIG. 7

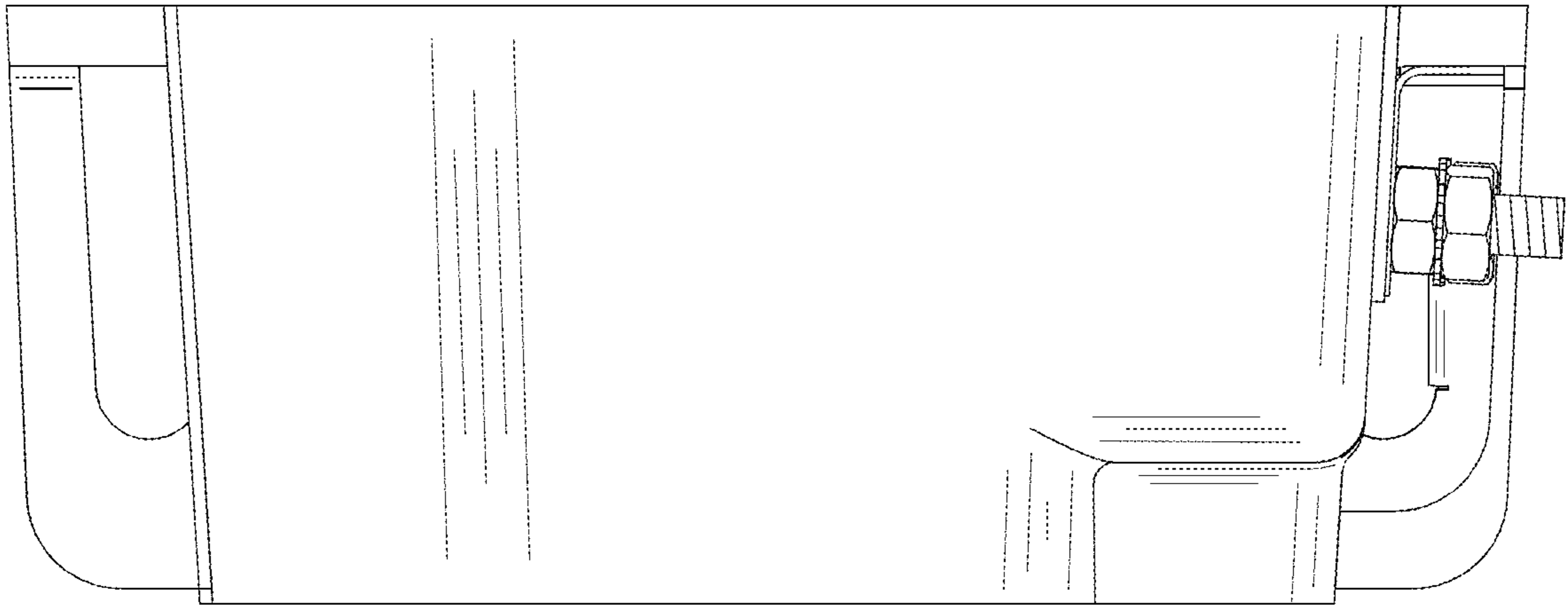


FIG. 8

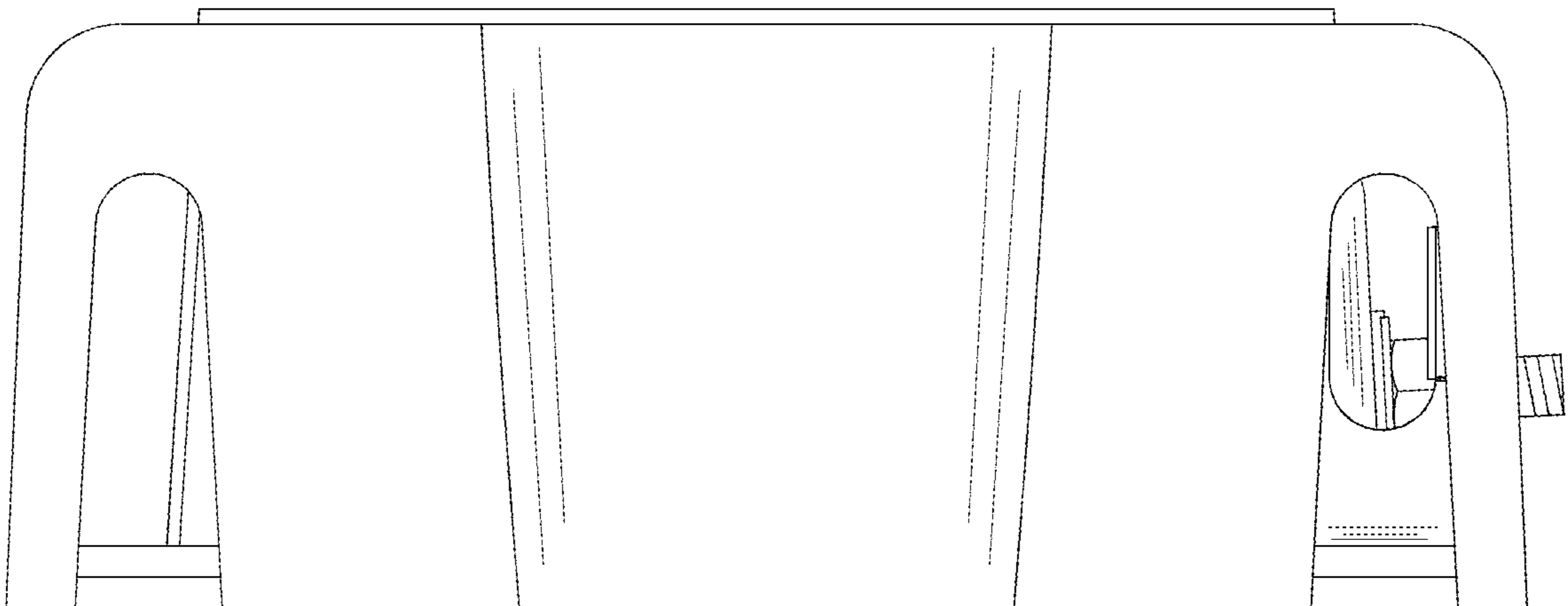


FIG. 9

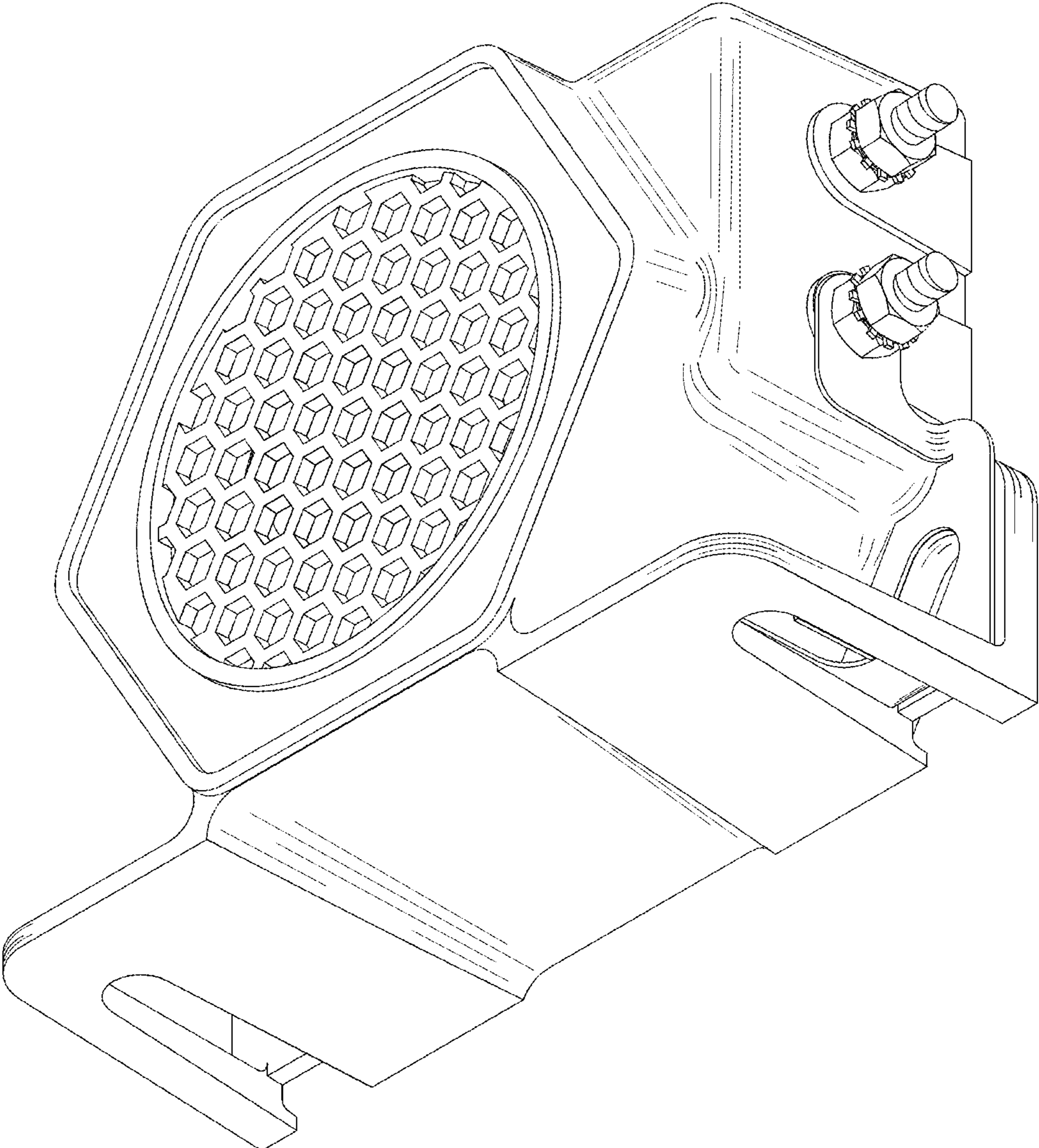


FIG. 10