



US00D952492S

(12) **United States Design Patent**
Jia

(10) **Patent No.:** **US D952,492 S**

(45) **Date of Patent:** **** May 24, 2022**

(54) **HUD GAUGE**

(71) Applicant: **SHENZHEN ACCLOPE CO., LTD,**
Shenzhen (CN)

(72) Inventor: **Huiliang Jia,** Shenzhen (CN)

(73) Assignee: **SHENZHEN ACCLOPE CO., LTD,**
Shenzhen (CN)

(**) Term: **15 Years**

(21) Appl. No.: **29/779,491**

(22) Filed: **Apr. 19, 2021**

(30) **Foreign Application Priority Data**

Mar. 16, 2021 (CN) 202130141635.4

(51) **LOC (13) Cl.** **10-04**

(52) **U.S. Cl.**
USPC **D10/98**

(58) **Field of Classification Search**
USPC D10/85, 96-103, 65, 70, 71;
D23/259-261
CPC G02B 27/01; G02B 2027/014; G02B
27/0101; G02B 27/4205; G02B 27/30;
G02B 26/105; G06F 3/1423; B60R
11/0229; B60K 2370/29
See application file for complete search history.

(56) **References Cited**

U.S. PATENT DOCUMENTS

5,969,224 A * 10/1999 Ebara G01P 1/08
340/936
D424,957 S * 5/2000 Chuang D10/98
D678,096 S * 3/2013 Ueda D10/98
D756,821 S * 5/2016 Yasuhara D10/103
11,129,749 B2 * 9/2021 Watkins A61F 9/067
2006/0132924 A1 6/2006 Mimran

2013/0201540 A1* 8/2013 Sasaki G02B 27/0149
359/221.3
2014/0368544 A1* 12/2014 Kobayashi G06T 19/006
345/633
2016/0023604 A1* 1/2016 Jenson B60K 37/06
345/7

(Continued)

FOREIGN PATENT DOCUMENTS

CN 303453610 * 6/2015
CN 304358855 * 11/2017

(Continued)

OTHER PUBLICATIONS

LUFICAR, Lufi-Xf Multifunctional Obd2 Gauge, Heads Up Display, Date first available Jan. 6, 2021, [online]retrieved Feb. 7, 2022, available from [https://www.amazon.com/Lufi-Xf-Multifunctional-Display-Scanning-Combination/dp/B08RDQ98WF/ref=sr_1_11_sspa?crd=DN8E1N7M28S1&keywords=OBD%2BGPS+Head+Up+Display+\(Year:2021\)*](https://www.amazon.com/Lufi-Xf-Multifunctional-Display-Scanning-Combination/dp/B08RDQ98WF/ref=sr_1_11_sspa?crd=DN8E1N7M28S1&keywords=OBD%2BGPS+Head+Up+Display+(Year:2021)*)

(Continued)

Primary Examiner — Keli L Hill
Assistant Examiner — Sara S Sahneh

(57) **CLAIM**

The ornamental design for a HUD gauge, as shown and described.

DESCRIPTION

FIG. 1 is a perspective view of a HUD gauge showing my new design;
FIG. 2 is another perspective view thereof;
FIG. 3 is a front elevational view thereof;
FIG. 4 is a rear elevational view thereof;
FIG. 5 is a left side elevational view thereof;
FIG. 6 is a right side elevational view thereof;

(Continued)

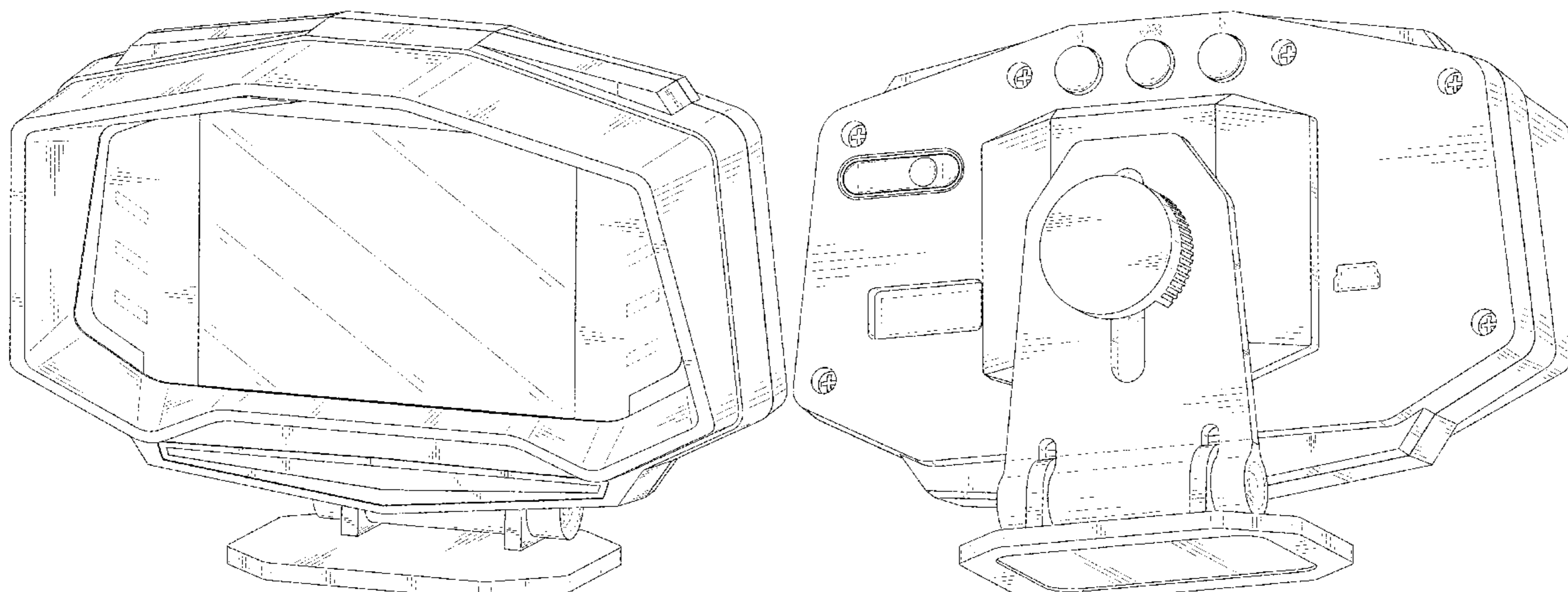


FIG. 7 is a top plan view thereof; and, FIG. 8 is a bottom plan view thereof. The broken lines in the drawings depict portions of the HUD gauge that form no part of the claimed design.

1 Claim, 8 Drawing Sheets

(56)

References Cited

U.S. PATENT DOCUMENTS

2017/0161949	A1*	6/2017	Seder	G02B 27/0093
2017/0232842	A1*	8/2017	Kobayashi	B60K 37/02 359/633
2018/0004473	A1*	1/2018	Amaru	B60R 11/0229
2020/0393675	A1*	12/2020	Huang	G02B 27/4205
2021/0026134	A1*	1/2021	Harkins	G02B 27/0101

FOREIGN PATENT DOCUMENTS

CN	305988600	*	12/2019
CN	306468960	*	9/2020
CN	306336311	*	2/2021
CN	306647680	*	2/2021
CN	306915234	*	4/2021

OTHER PUBLICATIONS

ACECAR Store, Universal Additional Digital Speedometer, Date first available Dec. 2, 2021, [online]retrieved Feb. 8, 2022, available from https://www.amazon.com/dp/B09MW3G71M/ref=sspa_dk_detail_7?psc=1&pd_rd_i=B09MW3G71M&pd_rd_w=Y5C91&pf_rd_p=9fd3ea7c-b77c-42ac-b43b-c872d3f37c38&pd_rd_wg=0QOFh&pf_rd_r=83 (Year: 2021).*

KONNWEI Store, KW206 Car OBD2 HUD Digital Meter Gauge, Date first available Nov. 6, 2020, [online]retrieved Feb. 8, 2022, available from https://www.amazon.com/KONNWEI-Automotive-Computer-Speedometer-Temperature/dp/B08GYLXJ1V/ref=sr_1_29?crid=DN8E1N7M28S1&keywords=OBD%2BGPS+Head+Up+Display+HUD+Gauge+O&q (Year: 2020).*

AUTOOL store, OBDII OBD2 Digital KMH, Date first available May 11, 2017, [online]retrieved Feb. 8, 2022, available from https://www.amazon.com/AUTOOL-Digital-Speedometer-Overspeed-Temperature/dp/B071S28697/ref=sr_1_85?crid=DN8E1N7M28S1&keywords=OBD%2BGPS+Head+Up+Display+HUD+Gauge+O&qid=1644330191&srefix=ob (Year: 2017).*

“Magician F8 Car OBD2 HUD Digital Meter RPM Gauge All in One Automotive Trip Computer Smart OBD Speedometer Tachometer Water Temperature Fuel Pressure Tester for All 2010 and Newer Cars”, Retrieved Apr. 19, 2021. Retrieved from Internet, <https://www.amazon.com/Magician-Automotive-Speedometer-Tachometer-Temperature/dp/B091KVD3RX/ref>.

* cited by examiner

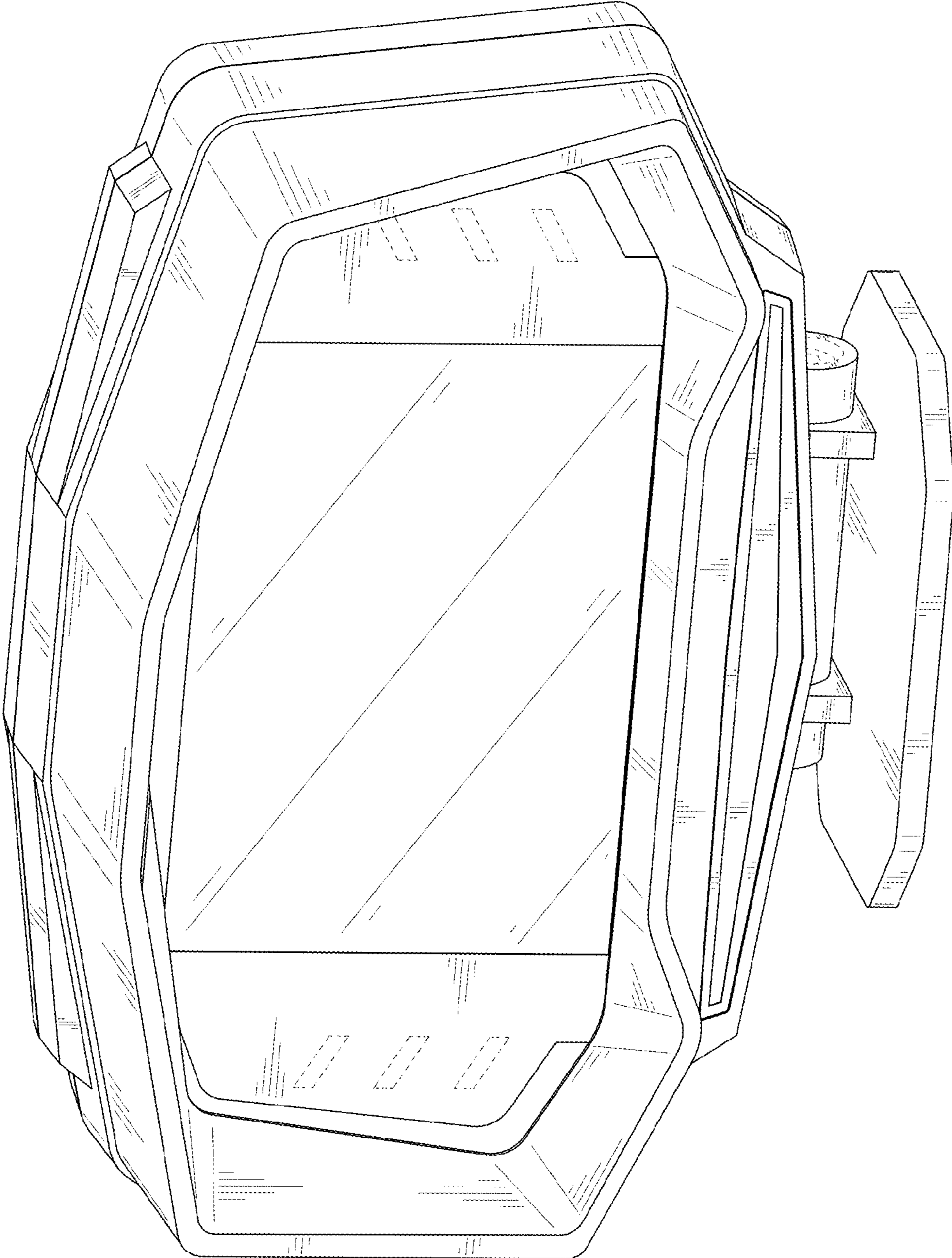


FIG. 1

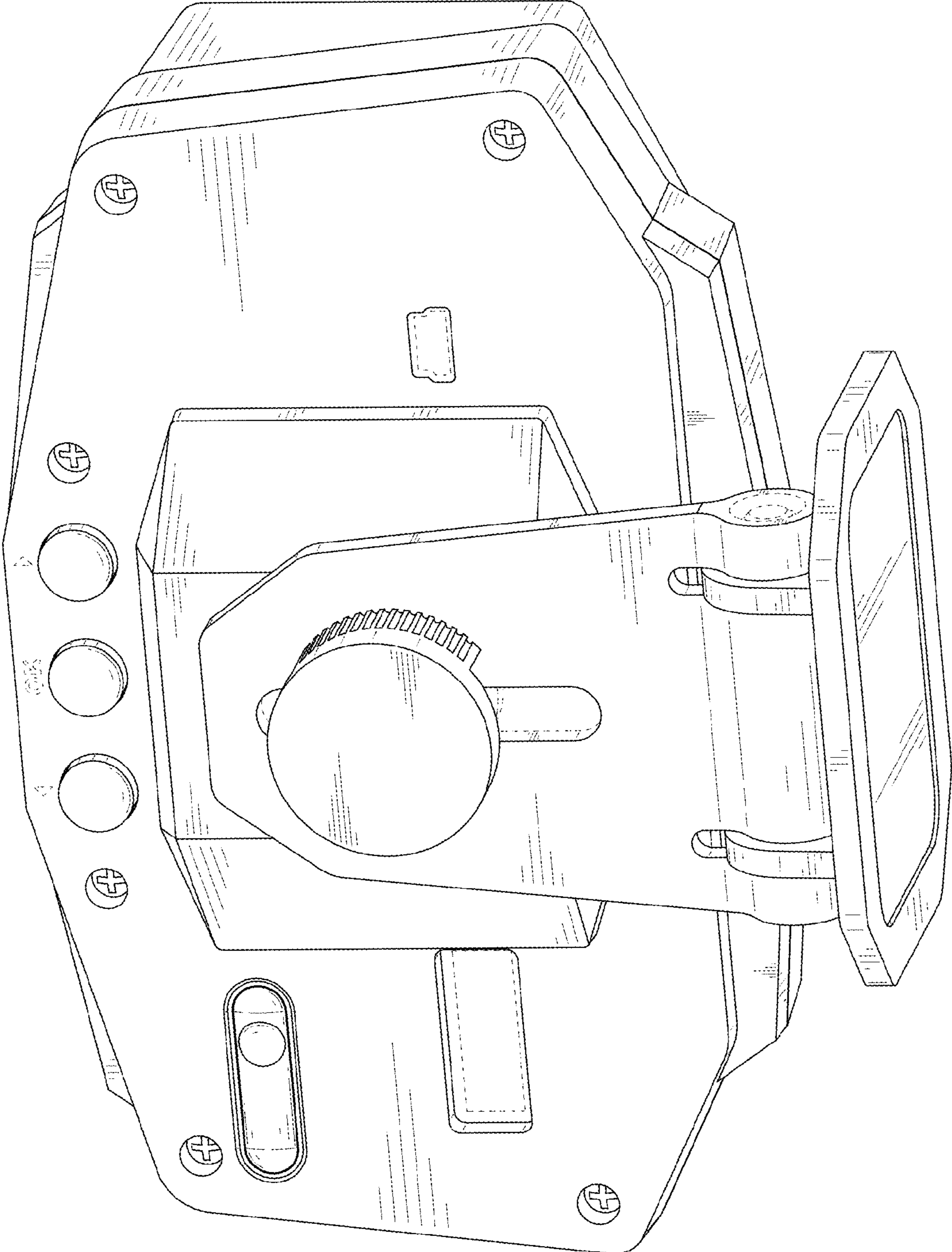


FIG. 2

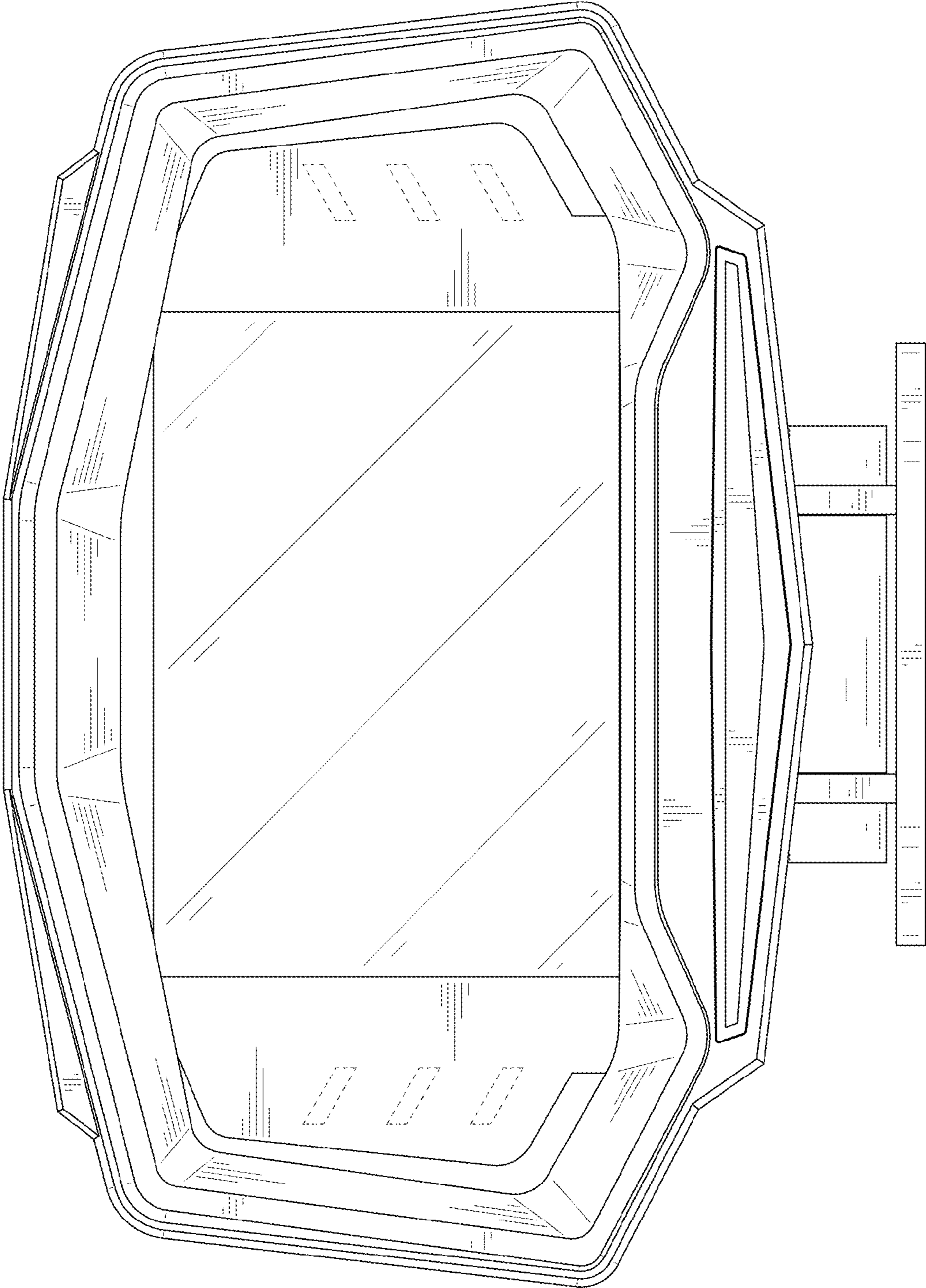


FIG. 3

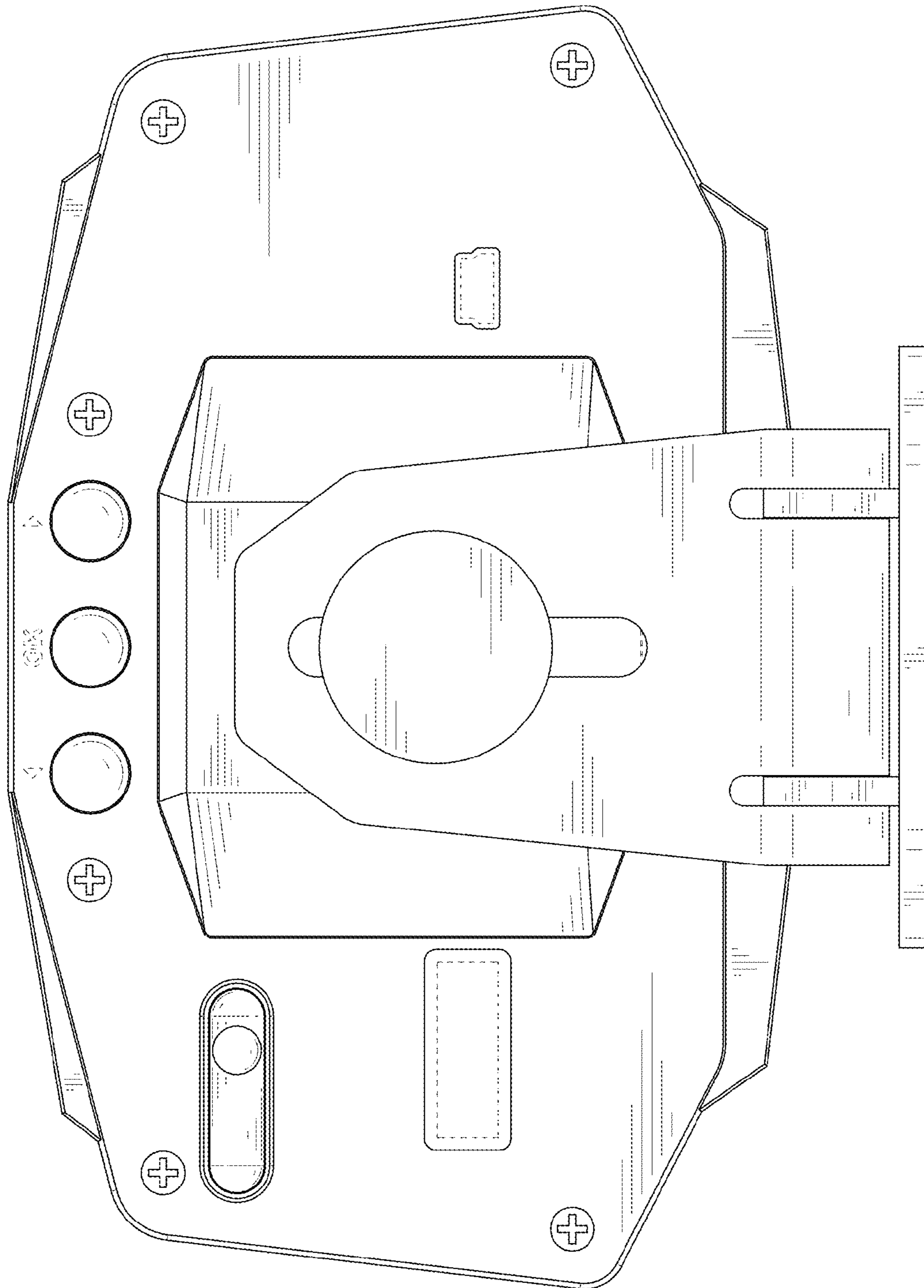


FIG. 4

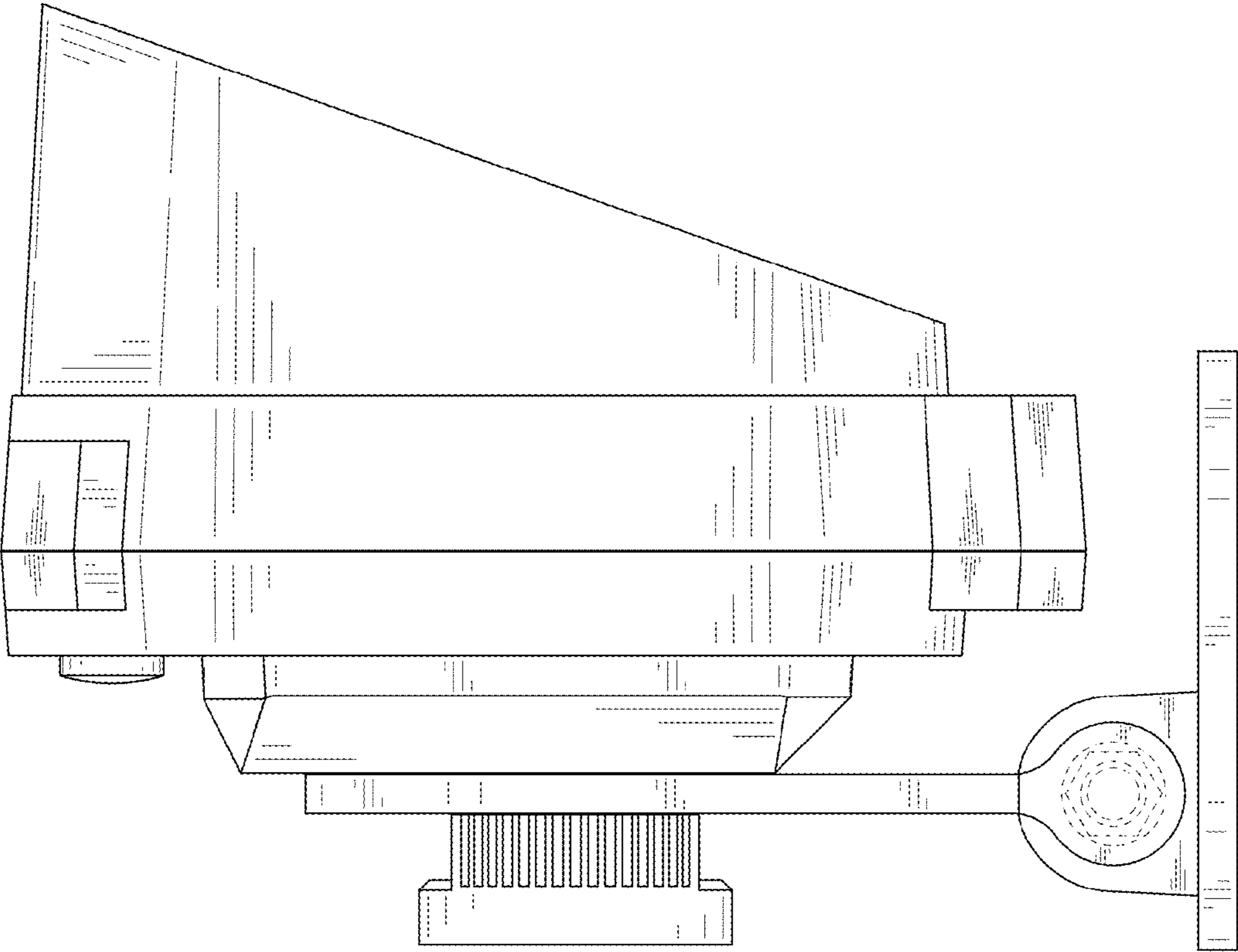


FIG. 5

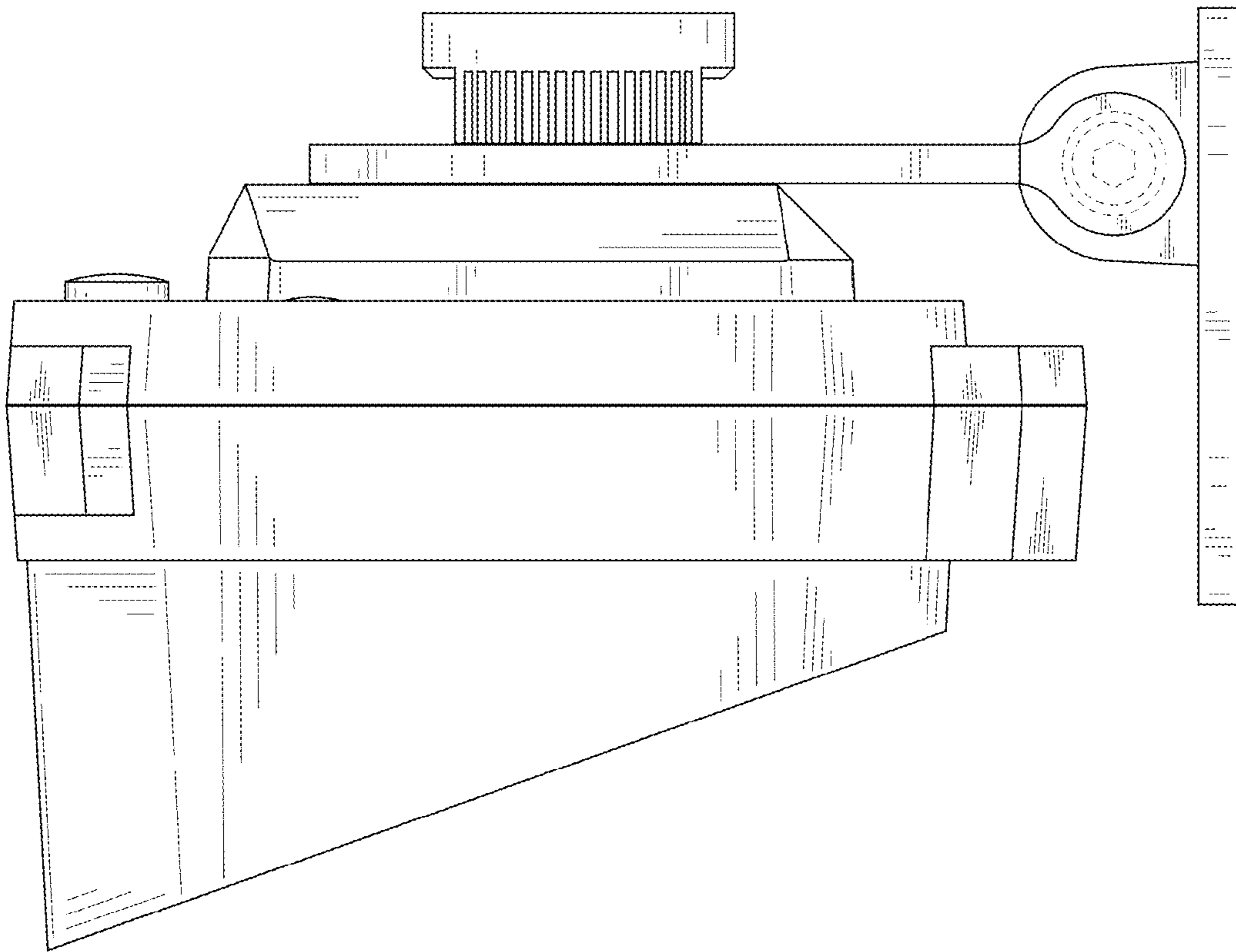


FIG. 6

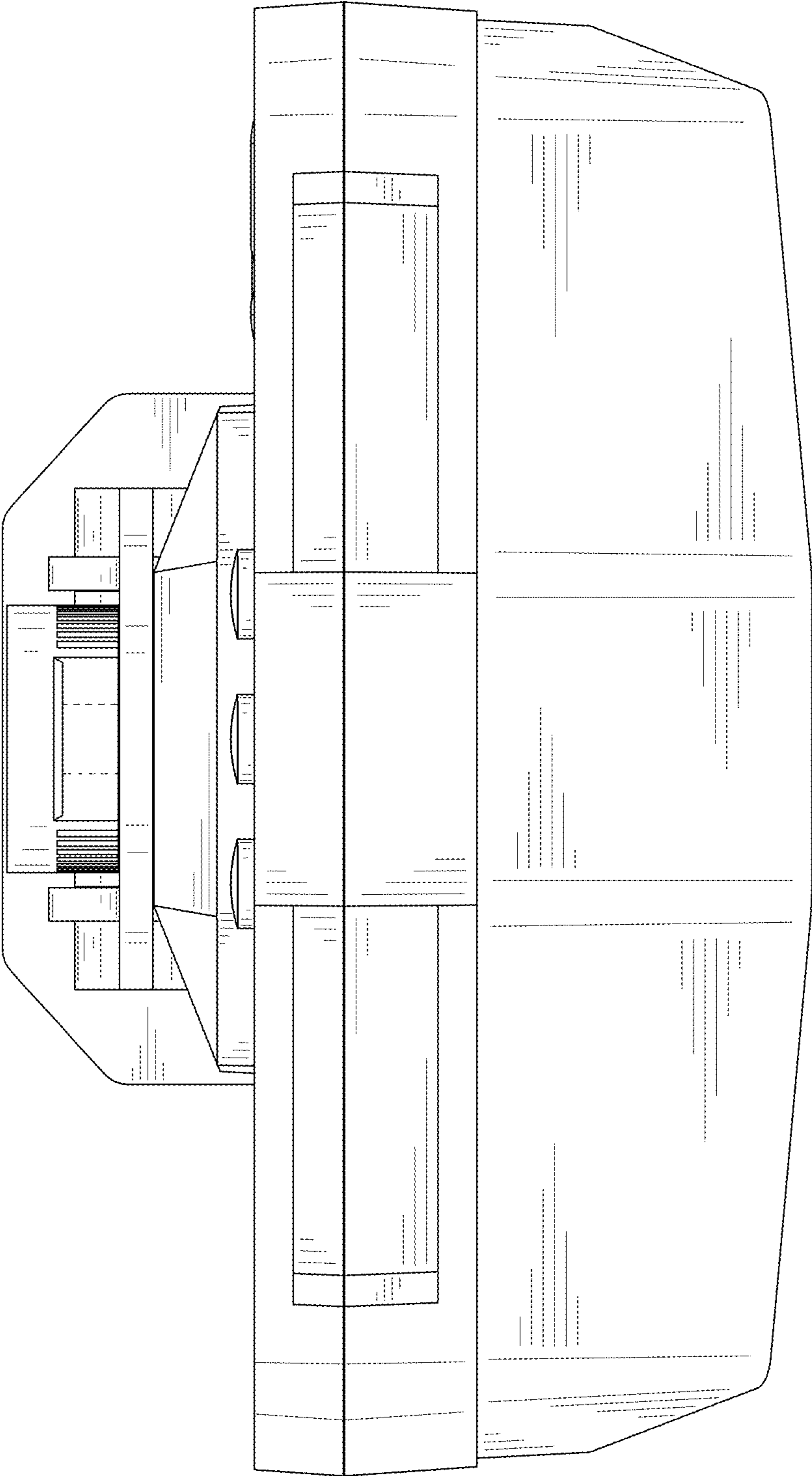


FIG. 7

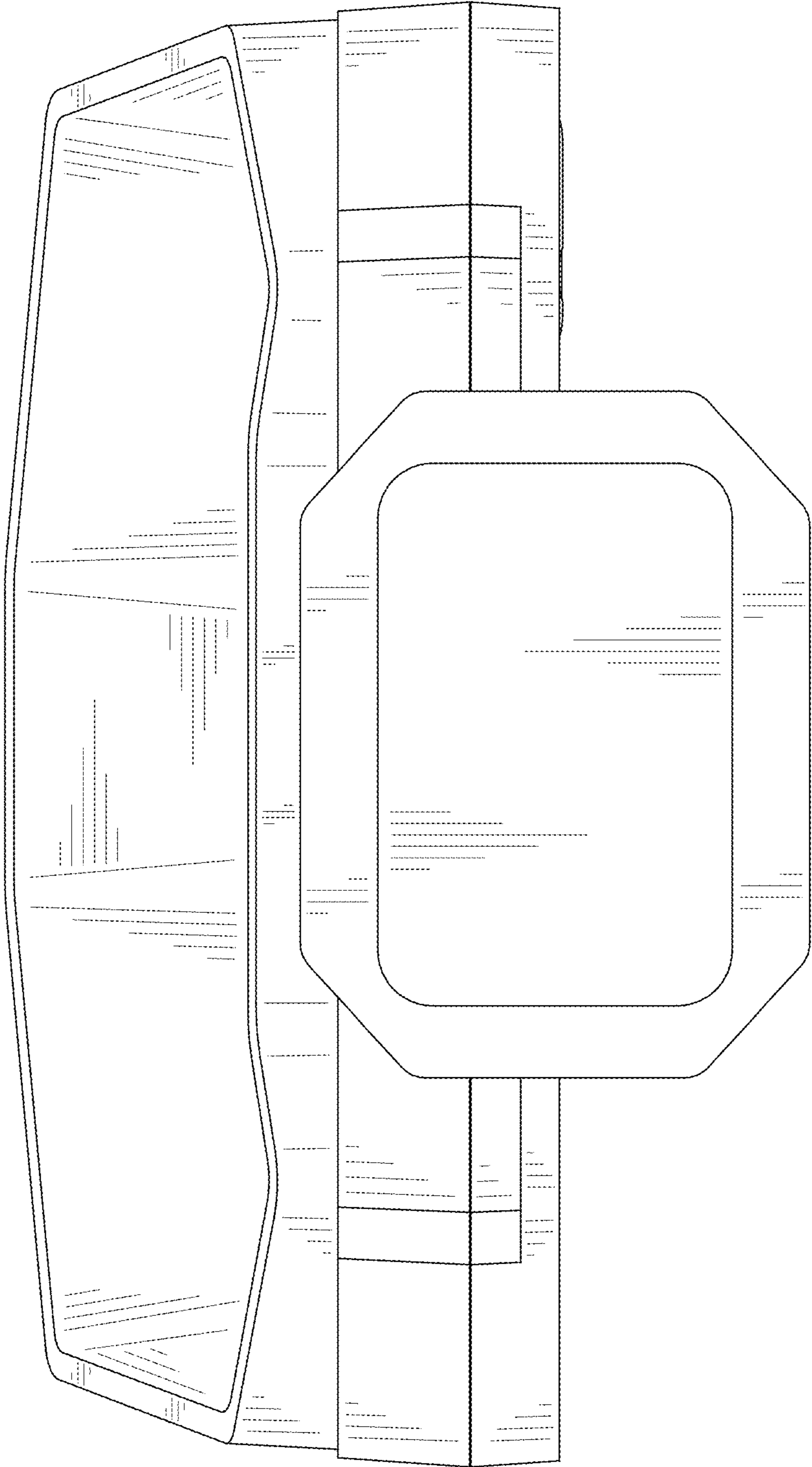


FIG. 8