



US00D952488S

(12) **United States Design Patent** (10) **Patent No.:** **US D952,488 S**  
**Sand** (45) **Date of Patent:** **\*\* May 24, 2022**

(54) **GONIOMETER HOLDER**  
(71) Applicant: **May We Help**, Cincinnati, OH (US)  
(72) Inventor: **William Sand**, Cincinnati, OH (US)  
(73) Assignee: **May We Help**, Cincinnati, OH (US)  
(\*\*) Term: **15 Years**

(21) Appl. No.: **29/699,775**  
(22) Filed: **Jul. 29, 2019**  
(51) **LOC (13) Cl.** ..... **10-04**  
(52) **U.S. Cl.**  
USPC ..... **D10/74; D10/65**  
(58) **Field of Classification Search**  
USPC ..... D24/127-128, 228, 230; D10/74, 61-65  
CPC ... A61B 5/1071; A61B 5/4585; A61B 5/4528;  
A61B 5/1121; G01B 5/24; G01B 3/56;  
G01B 3/02  
See application file for complete search history.

(56) **References Cited**  
U.S. PATENT DOCUMENTS  
D359,804 S \* 6/1995 Carter ..... D24/183  
D406,749 S \* 3/1999 Selk ..... D8/356  
D478,738 S \* 8/2003 Workman ..... D6/552  
D490,692 S \* 6/2004 Williams ..... D8/356  
D567,562 S \* 4/2008 Nash ..... D6/601  
D734,485 S \* 7/2015 Oonuma ..... D24/216

D749,209 S \* 2/2016 Uhlenkamp ..... D24/128  
D753,605 S \* 4/2016 McPherson ..... D13/155  
D764,189 S \* 8/2016 Edwards ..... D6/349  
D828,144 S \* 9/2018 Rodack ..... D8/374  
D868,287 S \* 11/2019 Frampton ..... D24/229  
2013/0232693 A1\* 9/2013 Myers ..... A47G 9/10  
5/636  
2014/0359947 A1\* 12/2014 Turner ..... A47D 13/083  
5/655

\* cited by examiner

*Primary Examiner* — Nathan M Johnston  
(74) *Attorney, Agent, or Firm* — Frost Brown Todd LLC

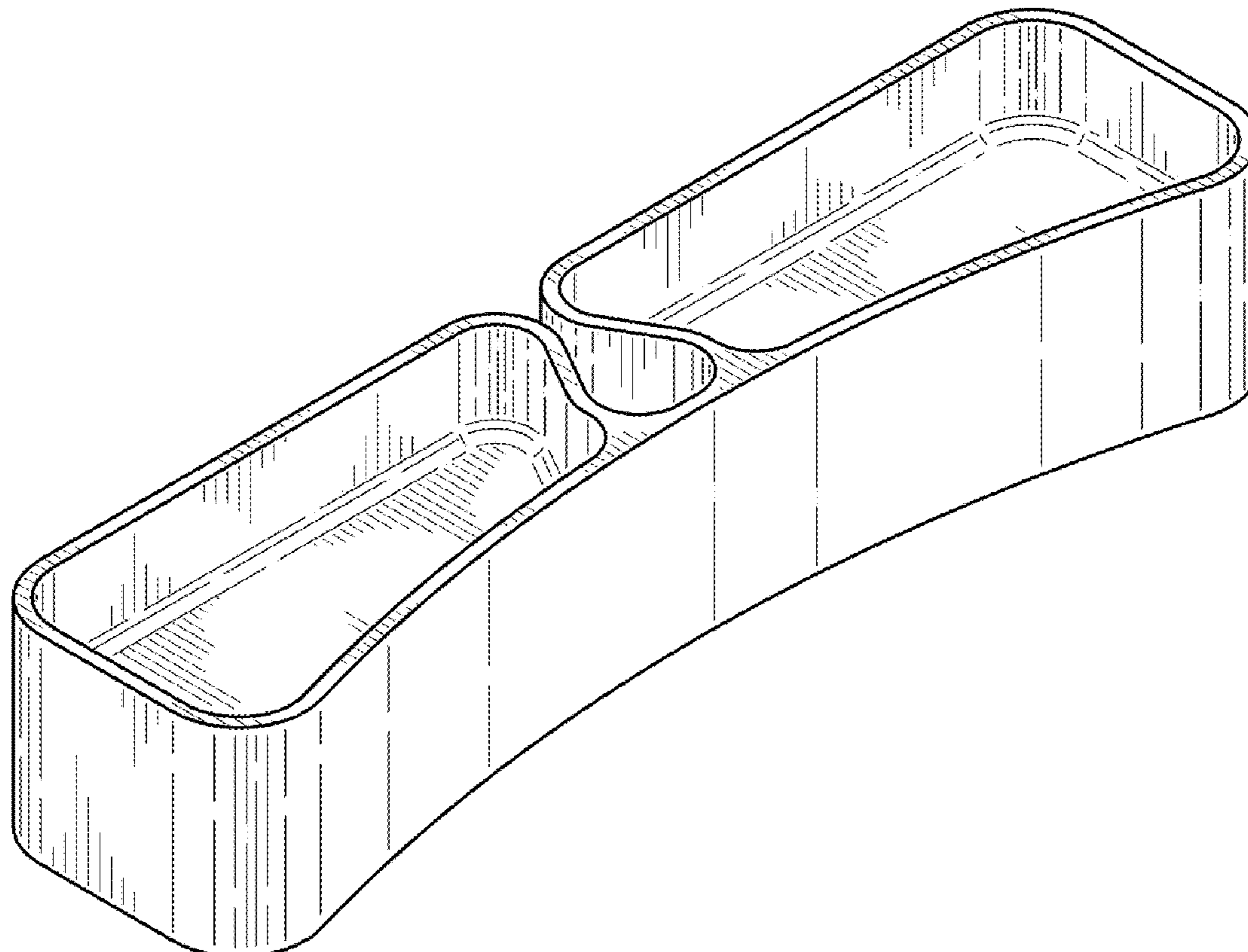
(57) **CLAIM**

The ornamental design for a goniometer holder, as shown and described.

**DESCRIPTION**

FIG. 1 is a top front perspective view of a goniometer holder showing our new design;  
FIG. 2 is a top back perspective view thereof;  
FIG. 3 is a top plan view thereof;  
FIG. 4 is a bottom plan view thereof;  
FIG. 5 is a back elevational view thereof;  
FIG. 6 is a front elevational view thereof;  
FIG. 7 is a left elevational view thereof; and,  
FIG. 8 is a right elevational view thereof.

**1 Claim, 4 Drawing Sheets**



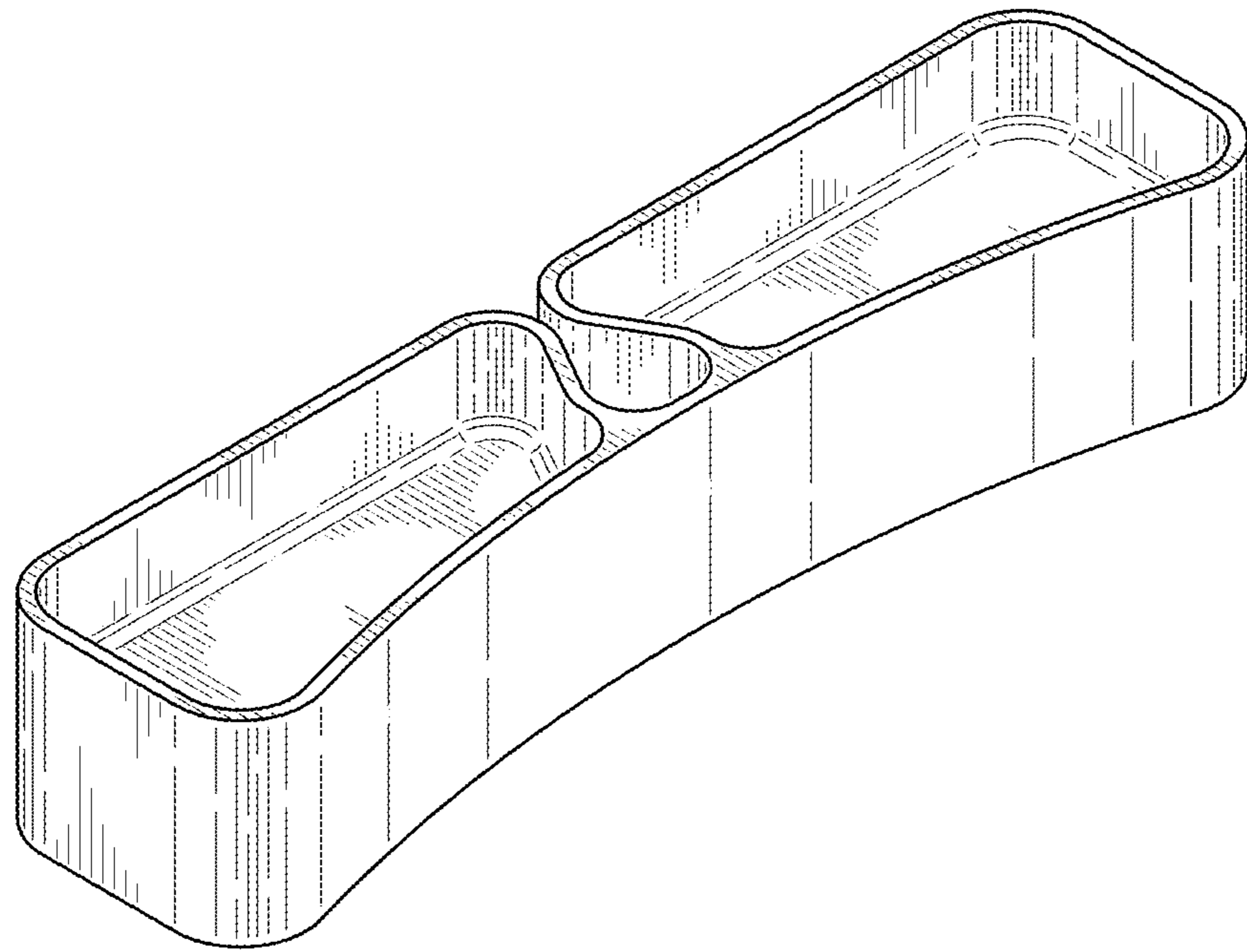


FIG. 1

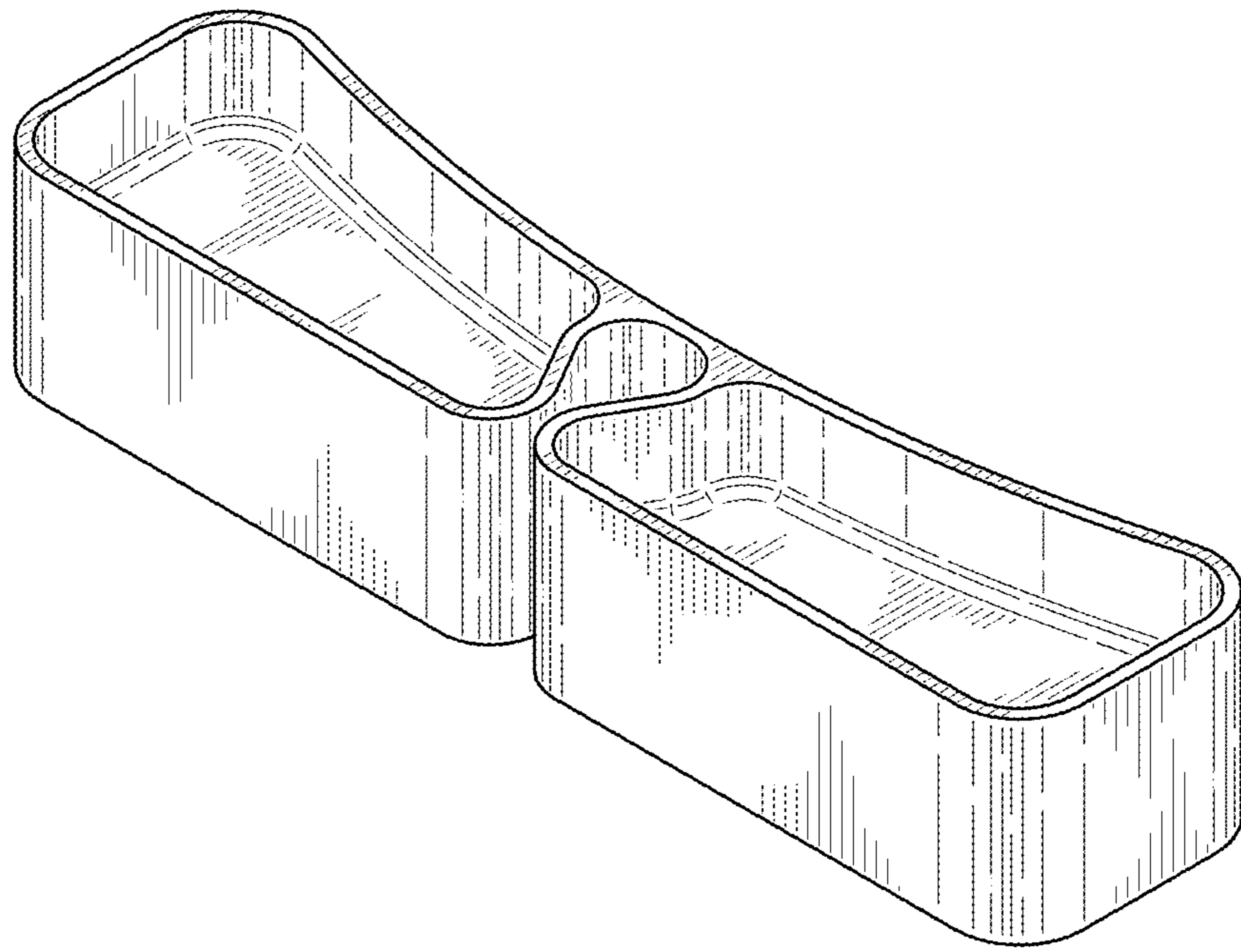


FIG. 2

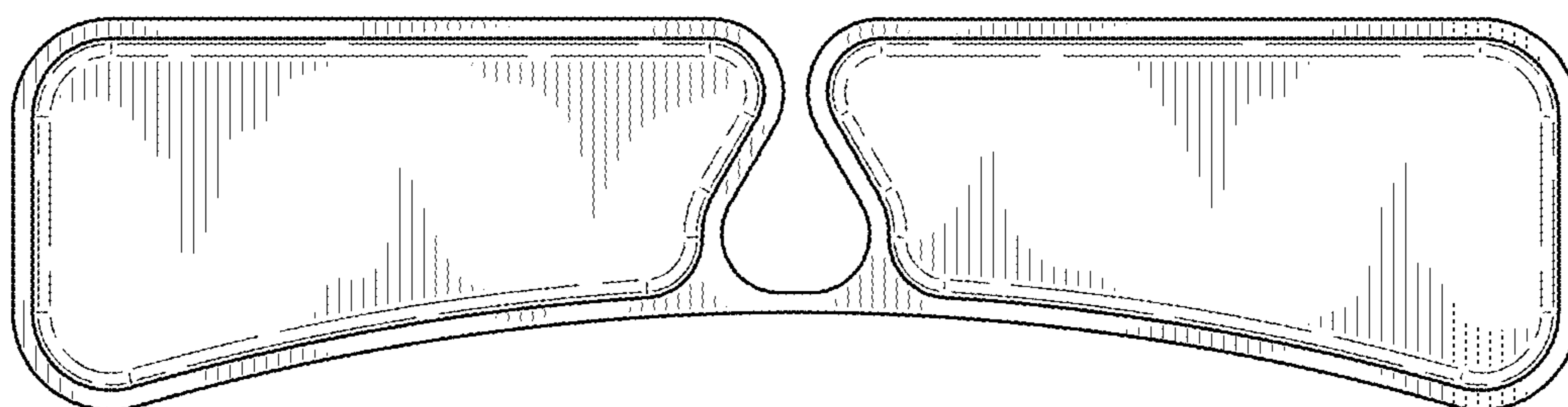


FIG. 3

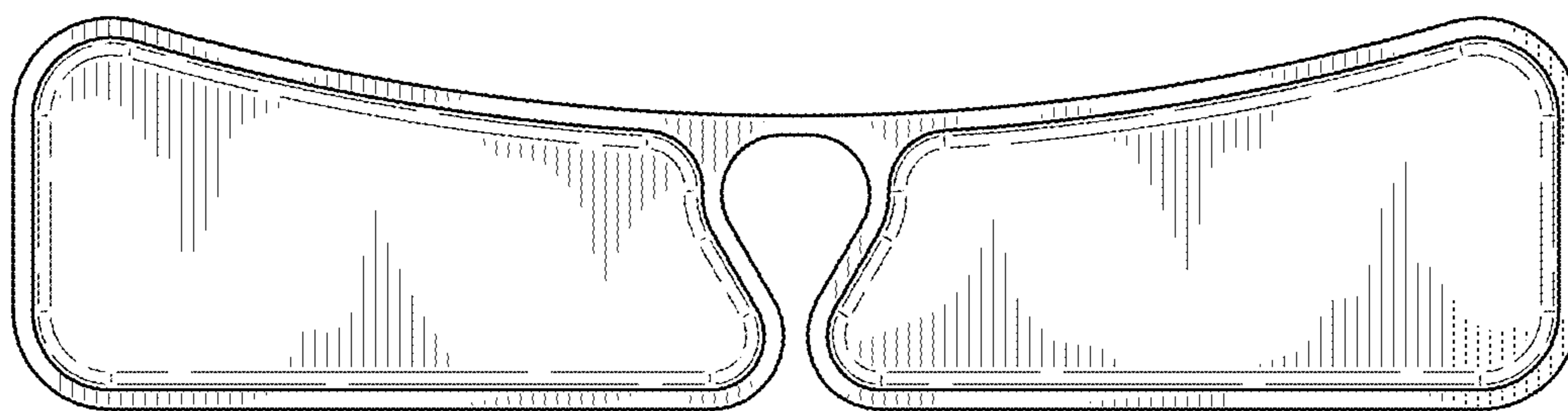


FIG. 4

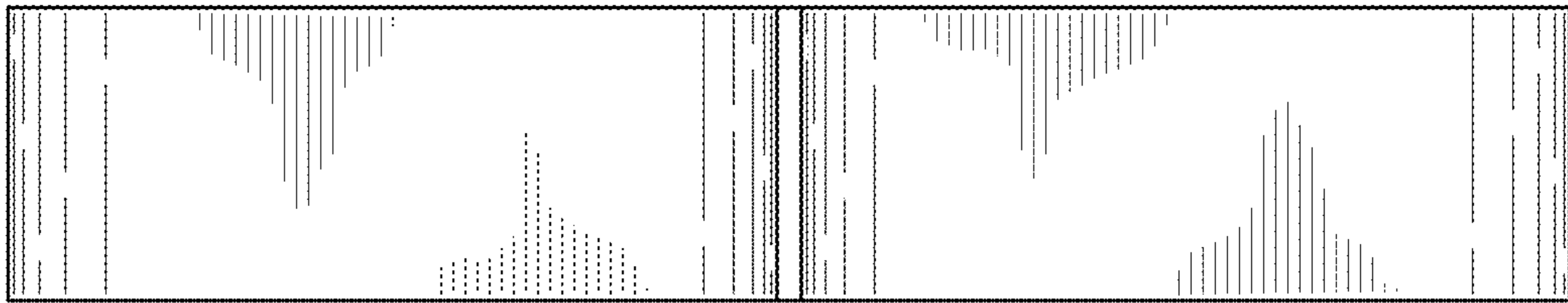


FIG. 5

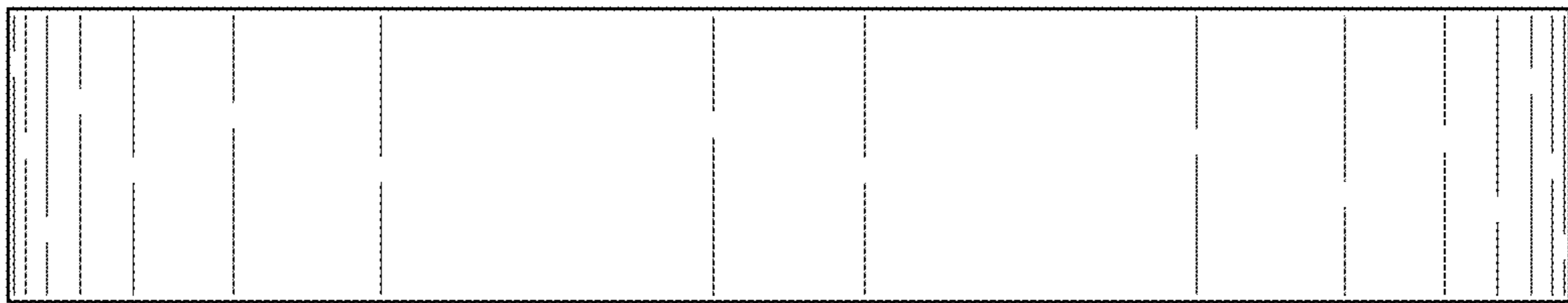


FIG. 6

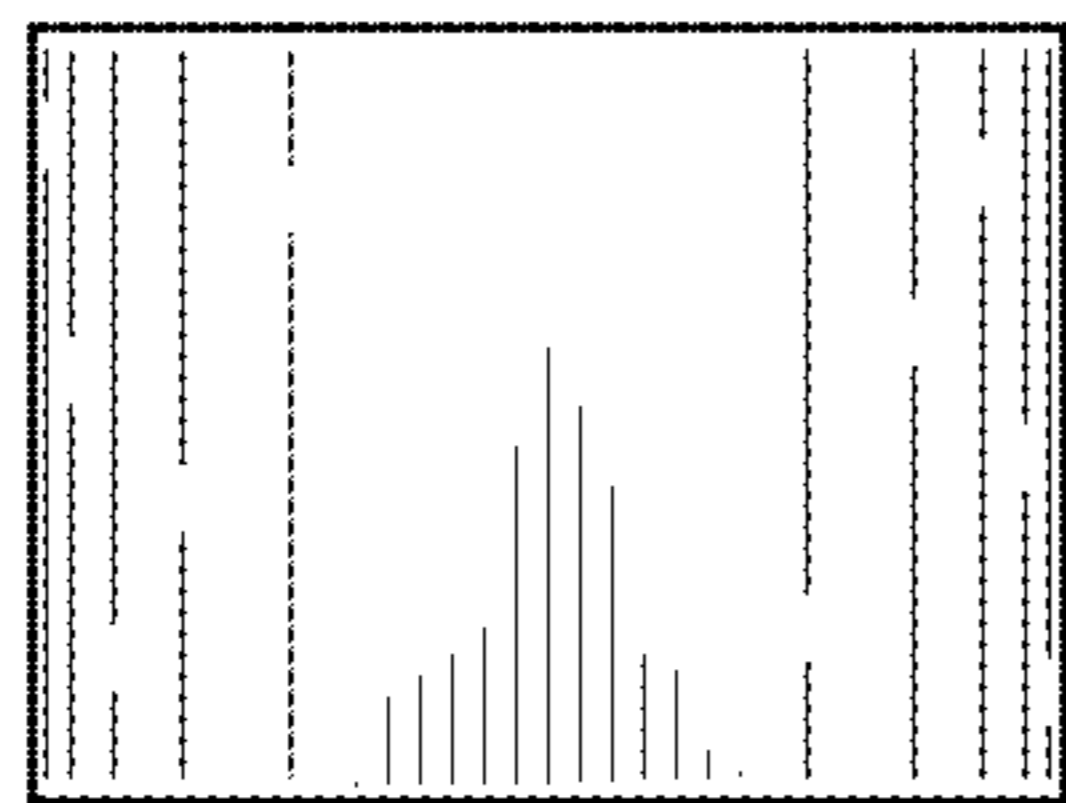


FIG. 7

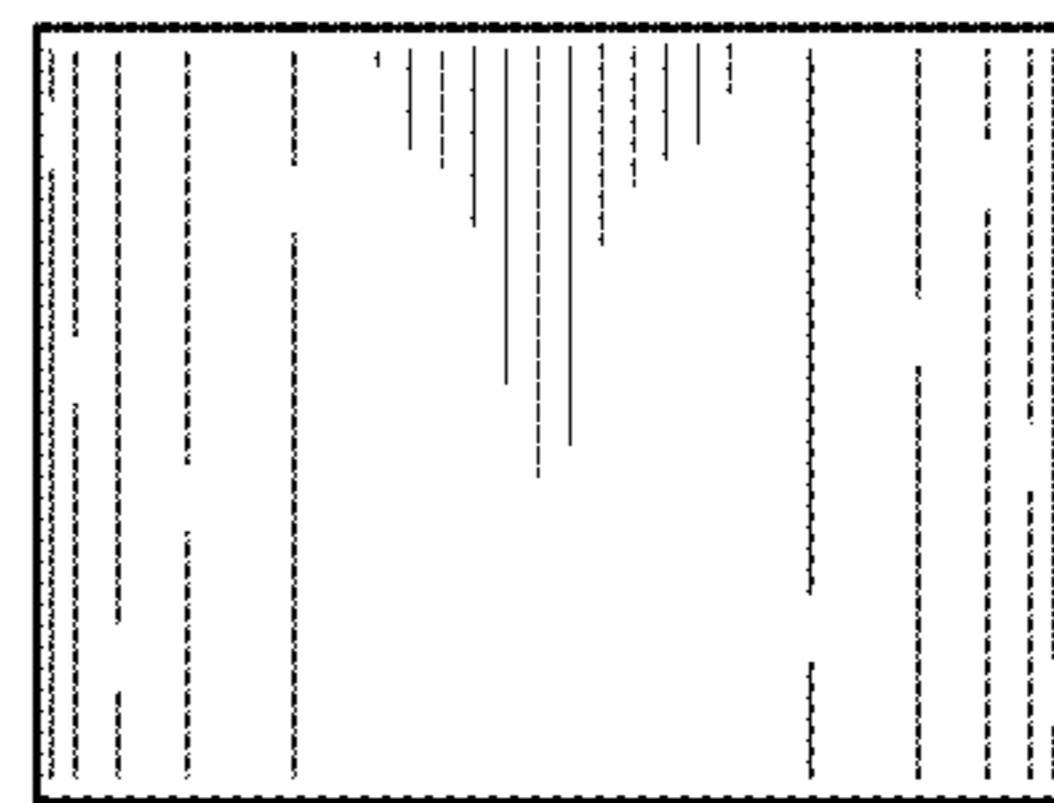


FIG. 8