



US00D952486S

(12) **United States Design Patent**
Hashimoto et al.

(10) **Patent No.:** **US D952,486 S**

(45) **Date of Patent:** **** May 24, 2022**

(54) **WEARABLE ACTIVITY TRACKER**

(71) Applicant: **Casio Keisanki Kabushiki Kaisha,**
Tokyo (JP)

(72) Inventors: **Ichiro Hashimoto,** Tokyo (JP); **Yoichi Katano,** Tokyo (JP)

(73) Assignee: **CASIO KEISANKI KABUSHIKI KAISHA,** Tokyo (JP)

(**) Term: **15 Years**

(21) Appl. No.: **35/511,234**

(22) Filed: **Jul. 29, 2020**

(80) **Hague Agreement Data**

Int. Filing Date: **Jul. 29, 2020**

Int. Reg. No.: **DM/209979**

Int. Reg. Date: **Jul. 29, 2020**

Int. Reg. Pub. Date: **Jan. 29, 2021**

(30) **Foreign Application Priority Data**

Jan. 29, 2020 (JP) 2020-001509

(51) **LOC (13) Cl.** **10-04**

(52) **U.S. Cl.**
USPC **D10/70**

(58) **Field of Classification Search**
USPC D10/70, 104.2; D14/191, 496; D3/218
See application file for complete search history.

(56) **References Cited**

U.S. PATENT DOCUMENTS

D348,463 S * 7/1994 Scheid D14/191
D368,715 S * 4/1996 Khoo D14/191
D369,166 S * 4/1996 Jones D14/191
D371,132 S * 6/1996 Suzuki D14/191

D375,498 S * 11/1996 Scheid D14/191
D392,639 S * 3/1998 Tamura D14/191
D394,347 S * 5/1998 Girvetz D3/218
D395,655 S * 6/1998 Nishii D14/191
D397,114 S * 8/1998 Kataoka D14/191
D399,649 S * 10/1998 Girvetz D3/218
D400,878 S * 11/1998 Scheid D14/191
D450,679 S * 11/2001 Soh D14/191
D549,686 S * 8/2007 Leung D14/496
D554,616 S * 11/2007 Pierce D14/191
D555,019 S * 11/2007 Au Yeung D10/70
D587,607 S * 3/2009 Oas D10/70
D593,884 S * 6/2009 Wang D10/70
D595,167 S * 6/2009 Au Yeung D10/70
D595,169 S * 6/2009 Au Yeung D10/70
D615,427 S * 5/2010 Au Yeung D10/70
D674,715 S * 1/2013 Dalton B43M 99/008
D682,126 S * 5/2013 Tello B42D 25/22
D707,651 S * 6/2014 Tsai D14/191
D728,394 S * 5/2015 Au Yeung D10/70

* cited by examiner

Primary Examiner — George D. Kirschbaum

(74) *Attorney, Agent, or Firm* — Holtz, Holtz & Volek PC

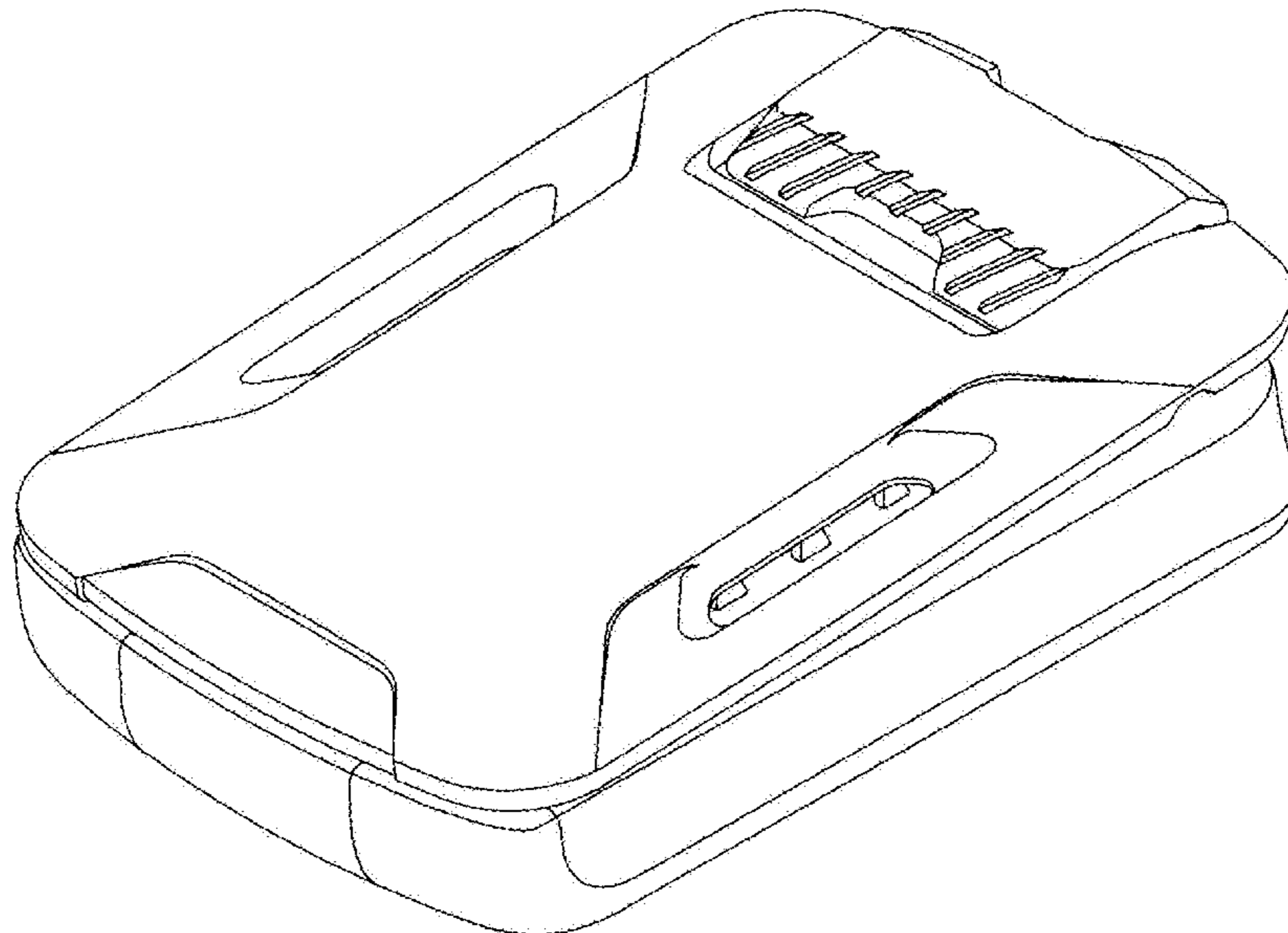
(57) **CLAIM**

The ornamental design for a wearable activity tracker, as shown and described.

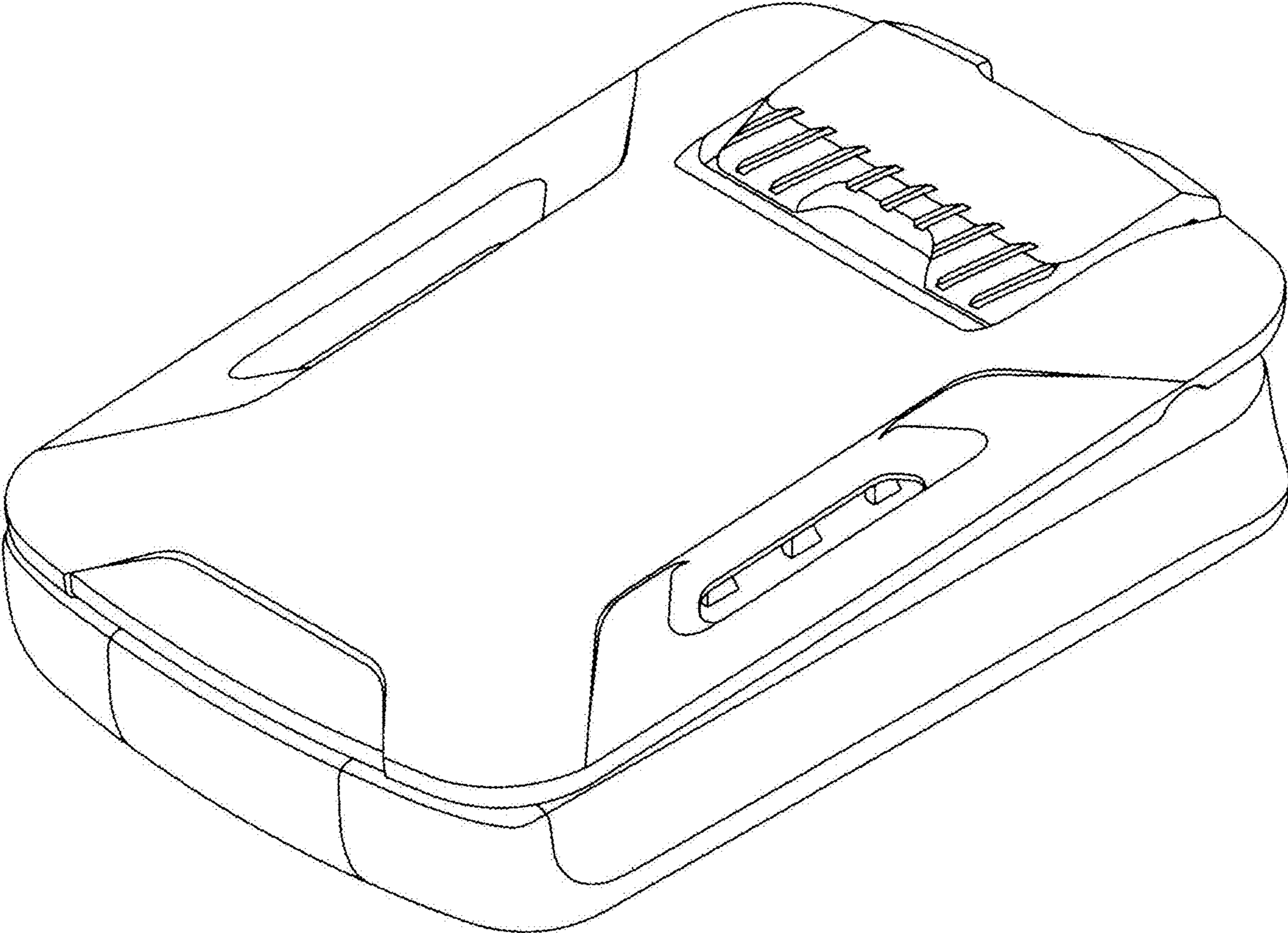
DESCRIPTION

- 1. Wearable activity tracker
- 1.1 : Perspective
- 1.2 : Front
- 1.3 : Back
- 1.4 : Left
- 1.5 : Right
- 1.6 : Top
- 1.7 : Bottom
- 1.8 : left side view shown in use.

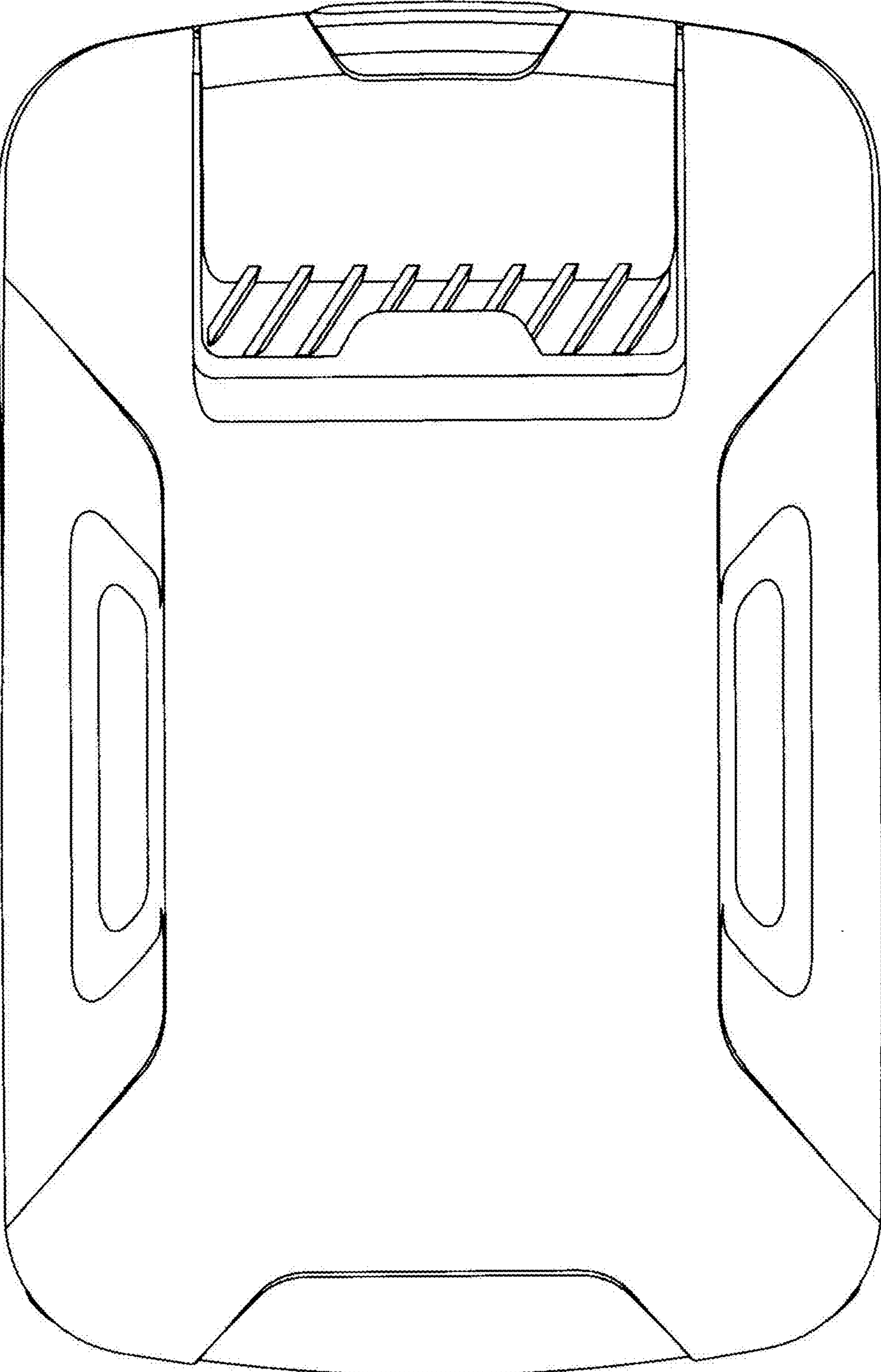
1 Claim, 8 Drawing Sheets



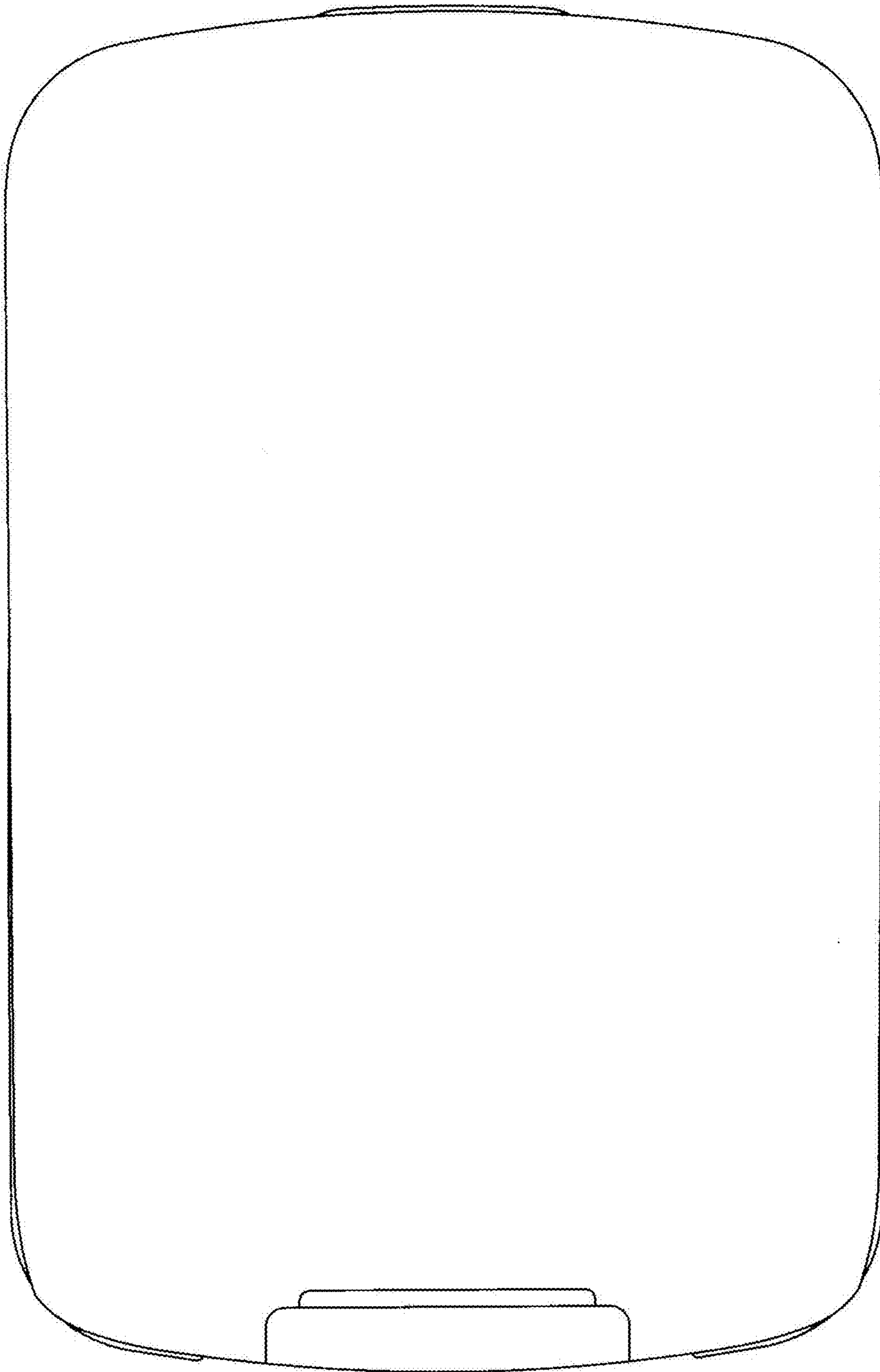
1.1



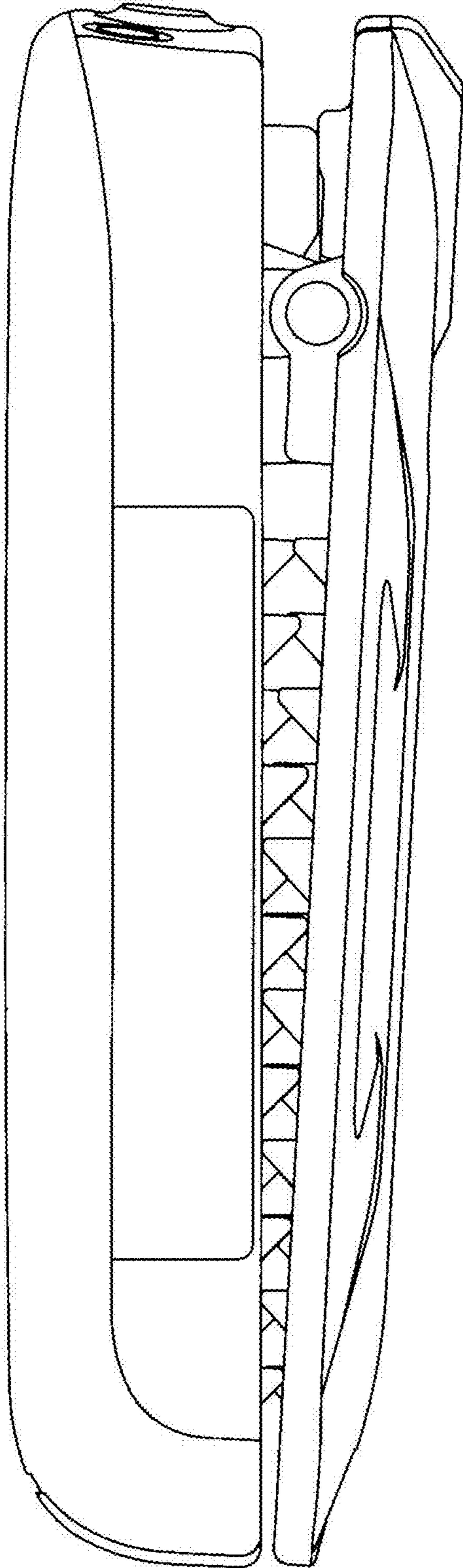
1.2



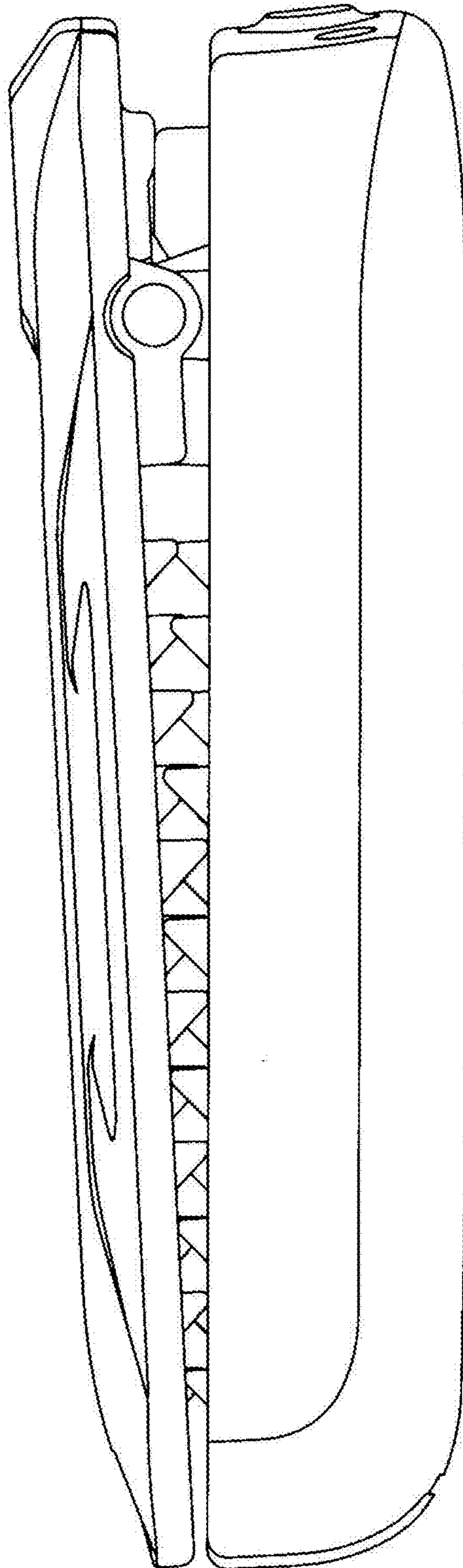
1.3



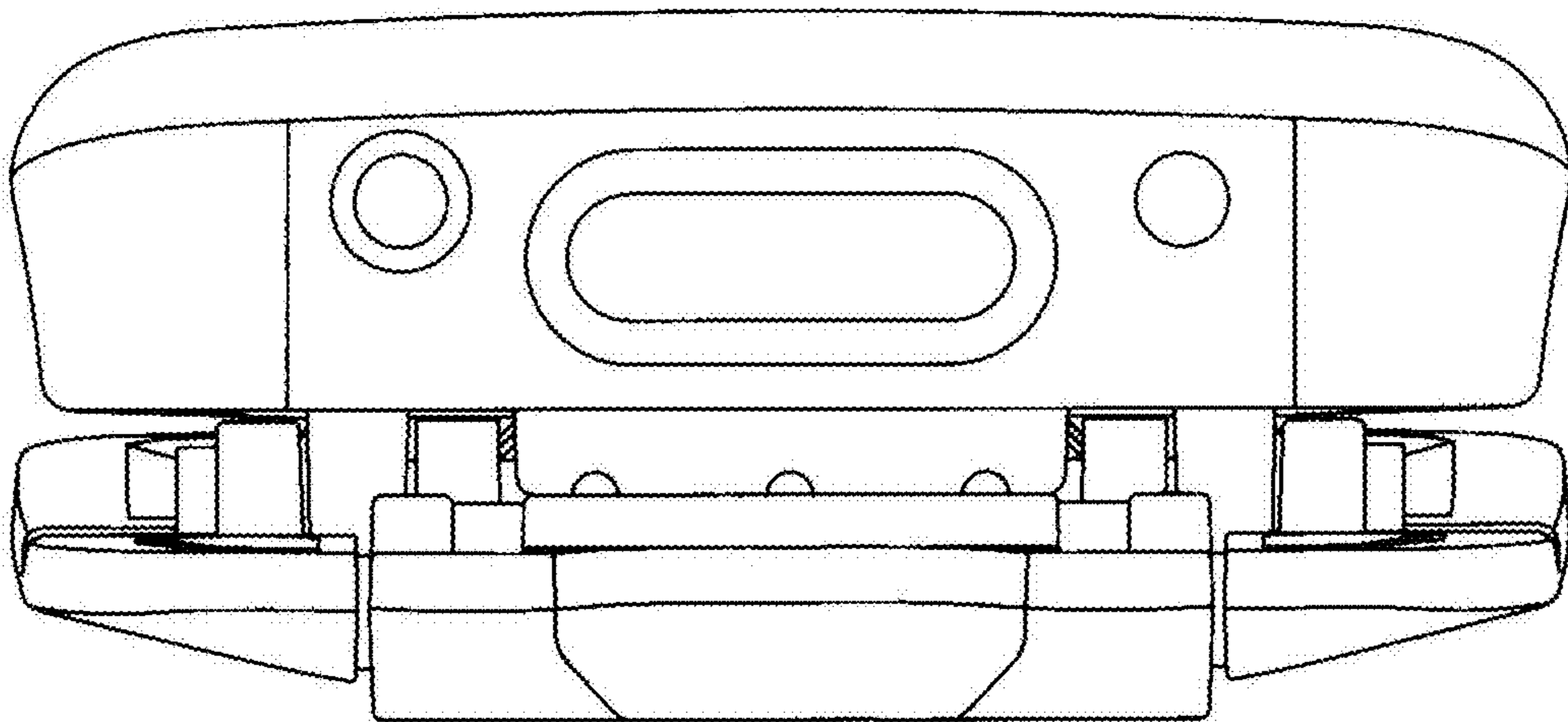
1.4



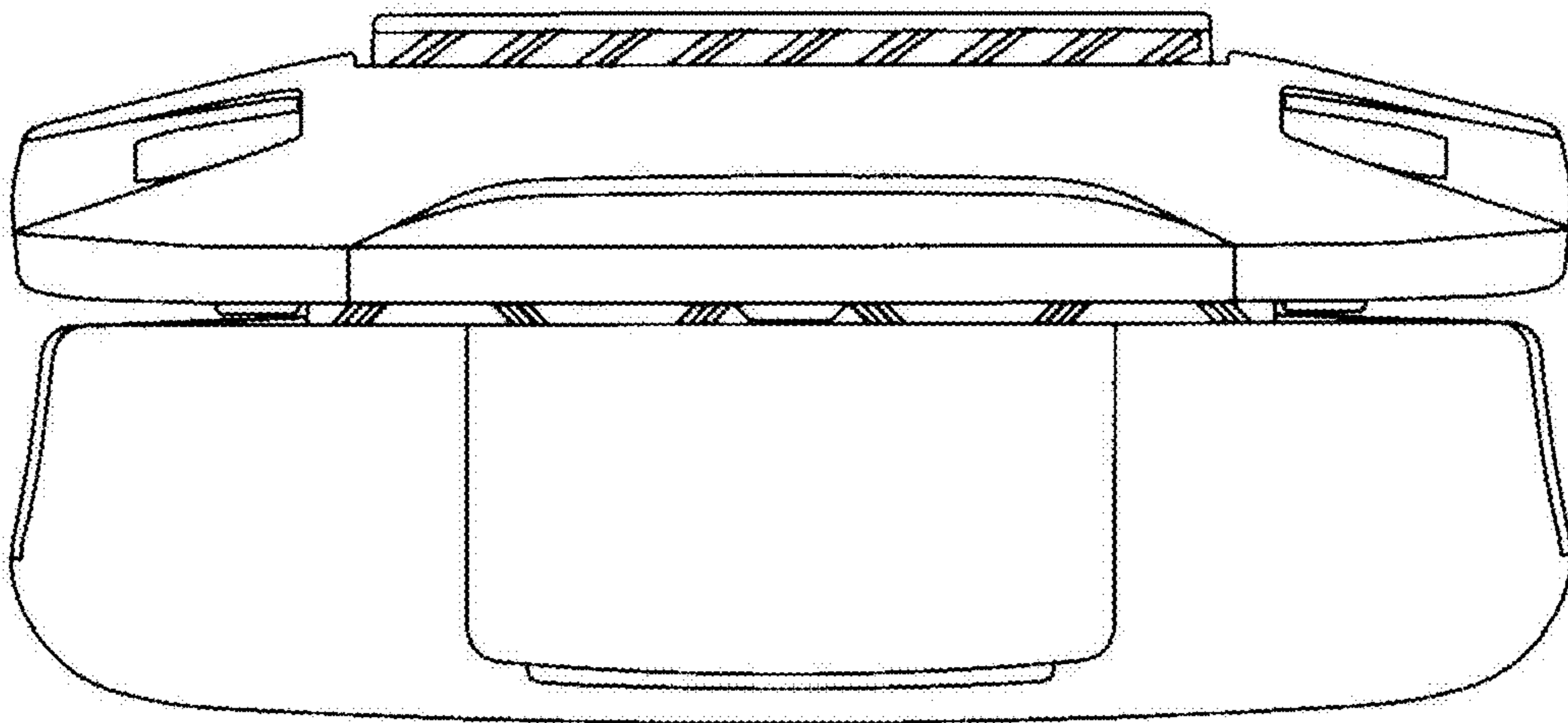
1.5



1.6



1.7



1.8

