



US00D952485S

(12) **United States Design Patent** (10) **Patent No.:** **US D952,485 S**
Li (45) **Date of Patent:** **** May 24, 2022**

(54) **HEIGHT MEASURING DEVICE**

(71) Applicant: **Healthy Kuaiche (Shanghai) Education Technology Co., Ltd.,**
Shanghai (CN)

(72) Inventor: **Mei Li, Liaoning (CN)**

(**) Term: **15 Years**

(21) Appl. No.: **29/785,986**

(22) Filed: **May 28, 2021**

(30) **Foreign Application Priority Data**

May 21, 2021 (CN) 202130304752.8

(51) **LOC (13) Cl.** **10-04**

(52) **U.S. Cl.**
USPC **D10/70**

(58) **Field of Classification Search**
USPC D10/65, 70, 71; D6/539, 316; D21/828,
D21/619, 584, 414, 415, 350
CPC G01B 11/06; G01B 3/1089; G01B 3/1041;
B01B 11/14; B01B 11/0608; B01B
3/1056
See application file for complete search history.

(56) **References Cited**

U.S. PATENT DOCUMENTS

D137,906 S *	5/1944	Valiquette	D21/615
D172,139 S *	5/1954	Giepen	D10/88
D190,525 S *	6/1961	Stroyman	D10/64
D194,192 S *	12/1962	Telford	D10/64
D214,513 S *	6/1969	Klaner	D21/619
D224,146 S *	7/1972	Milan	D10/64
D242,606 S *	12/1976	Lucci	D10/71
D243,835 S *	3/1977	Hutchinson	D10/71
D268,738 S *	4/1983	Yoshioka	D10/73
D276,252 S *	11/1984	Urabe	D21/619
D277,463 S *	2/1985	Bergstedt	D10/71
D277,464 S *	2/1985	Bergstedt	D10/71
D277,939 S *	3/1985	Bergstedt	D10/71

D277,940 S *	3/1985	Bergstedt	D10/71
D281,677 S *	12/1985	Chen	D10/88
D312,217 S *	11/1990	Kang	D10/70
D315,107 S *	3/1991	Leopoldi	D10/70
D388,479 S *	12/1997	Allegre	D21/619

(Continued)

OTHER PUBLICATIONS

Youtube video, publication date Jun. 15, 2018, (online) URL:
<https://www.youtube.com/watch?v=bc2xvJJB7R0> (Year: 2018).*

(Continued)

Primary Examiner — L. A. Grabenstetter

Assistant Examiner — Antoinette Martine Suiter

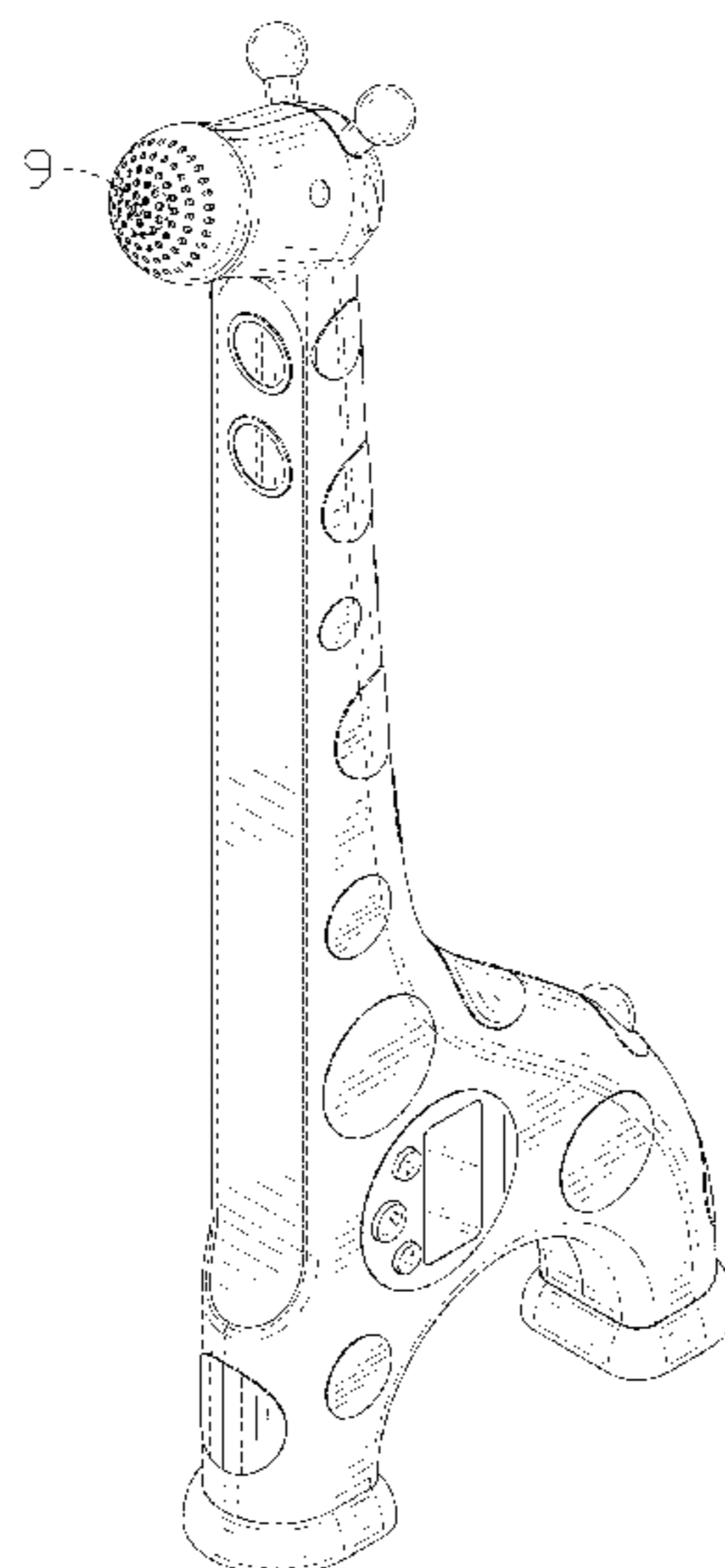
(57) **CLAIM**

The ornamental design for a height measuring device, as shown and described.

DESCRIPTION

FIG. 1 is a front and top perspective view of a height measuring device, showing my new design;
FIG. 2 is a rear and bottom perspective view thereof;
FIG. 3 is a front elevation view thereof;
FIG. 4 is a rear elevation view thereof;
FIG. 5 is a left side elevation view thereof;
FIG. 6 is a right side elevation view thereof;
FIG. 7 is a top plan view thereof;
FIG. 8 is a bottom plan view thereof;
FIG. 9 is an enlarged view of a portion indicated with numeric 9 in FIG. 1; and,
FIG. 10 is an enlarged view of a portion indicated with numeric 10 in FIG. 2.
The dash dash broken lines illustrate portions of the height measuring device that form no part of the claimed design. The dash dot dash lines in FIGS. 1, 2, 9 and 10 are for the purpose of depicting the cut line of the enlarged view and form no-part of the claim.

1 Claim, 10 Drawing Sheets



(56)

References Cited

U.S. PATENT DOCUMENTS

D400,810 S * 11/1998 Landauer D10/70
D541,355 S * 4/2007 Strasbach D21/619
D610,927 S * 3/2010 Garthoff D10/70
D611,368 S * 3/2010 Garthoff D10/70
D670,581 S * 11/2012 Matuschek D10/70
D678,088 S * 3/2013 Haykeen D10/70
D678,789 S * 3/2013 Zhang D10/73
D699,132 S * 2/2014 Haykeen D10/70
D727,760 S * 4/2015 Matsumiya D10/70
D869,302 S * 12/2019 Rhein A61B 5/1072
D10/70
D888,591 S * 6/2020 Destraz D10/70
D942,553 S * 2/2022 Sun D21/619

OTHER PUBLICATIONS

Growth Chart Ruler, Amazon, oldest Review Feb. 16, 2021, (online)

URL: <https://www.amazon.com/Height-Growth-Movable-Giraffe-Nursery/dp/B07T1BG68B> (Year: 2021).*

Growth Chart for Colorful Night Light, Amazon oldest Review Mar. 24, 2022, (online) URL: https://www.amazon.com/Smart-Giraffe-Growth-Chart-Kids/dp/B097ZGLH1Z/ref=pd_lpo_1?pd_rd_i=B097ZGLH1Z&psc=1 (Year: 2022).*

* cited by examiner

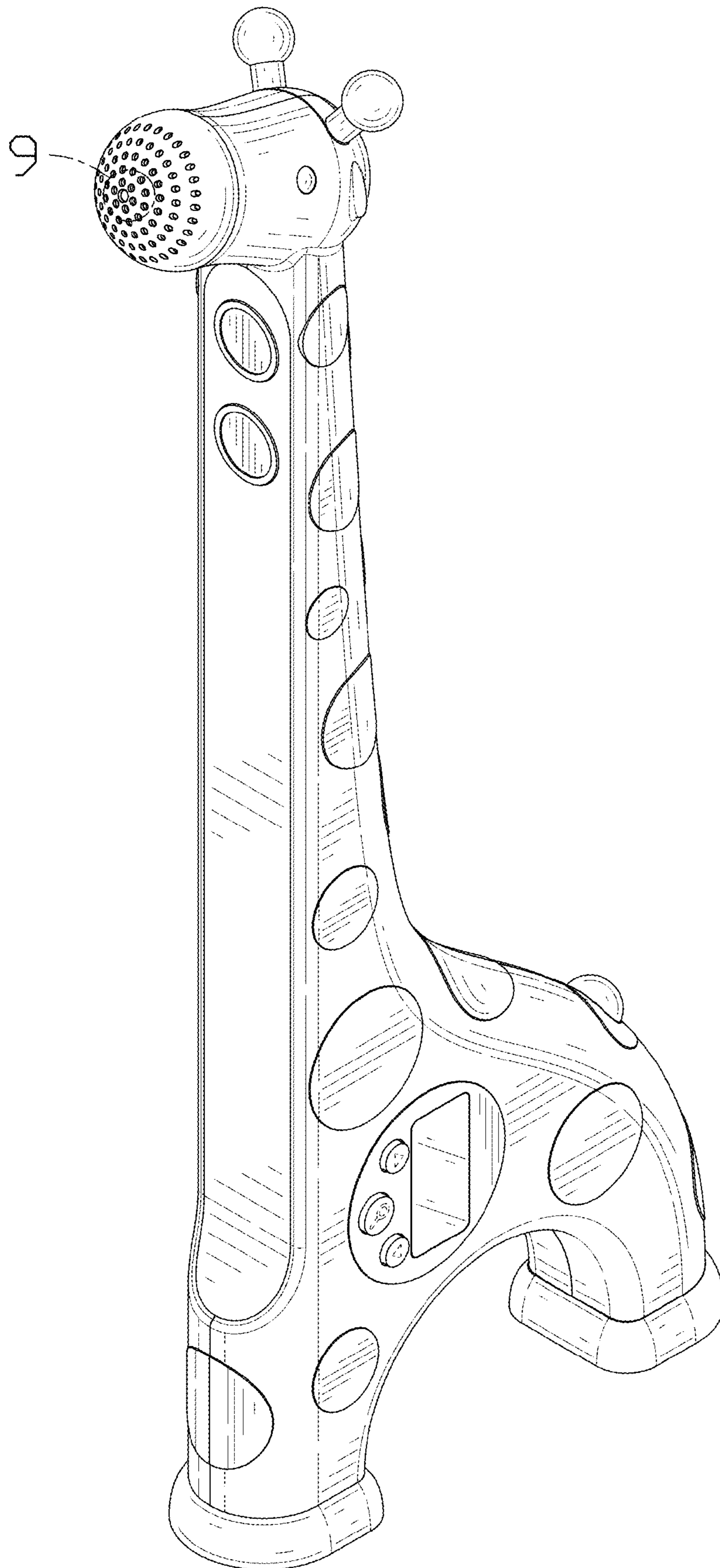
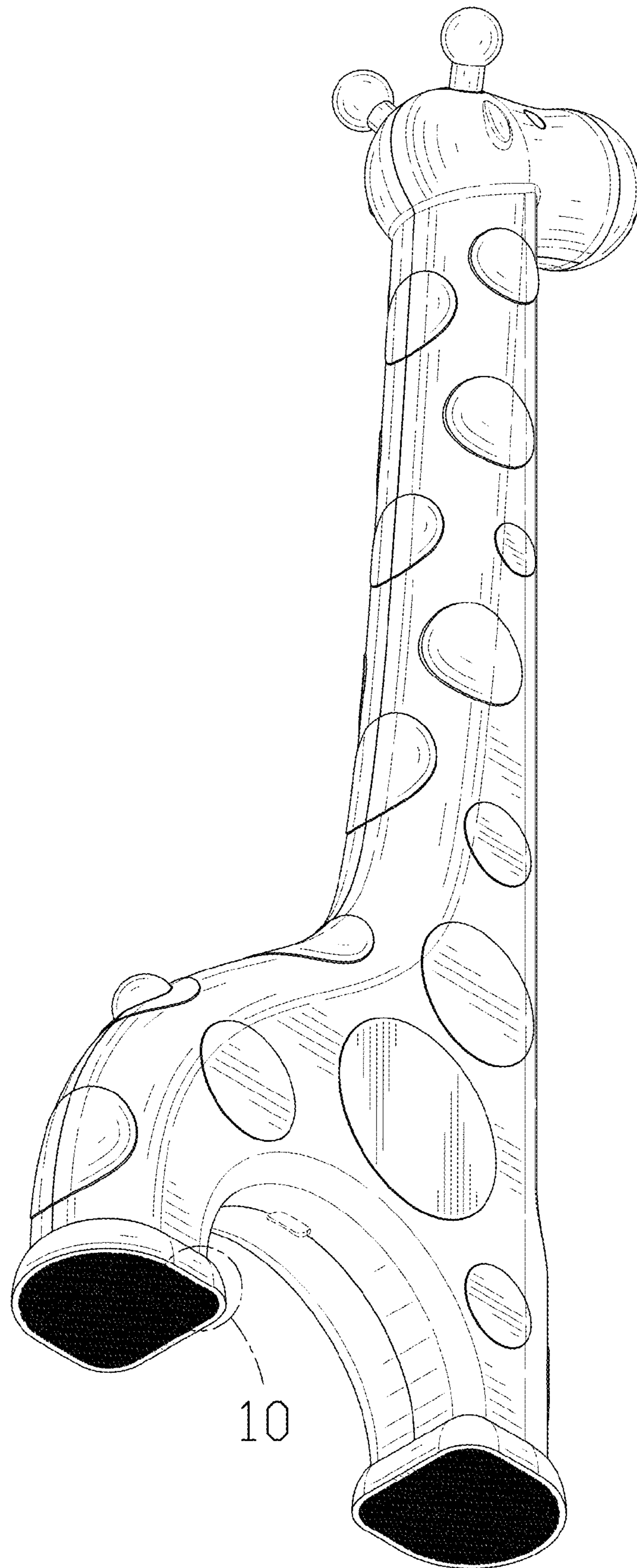


FIG. 1



10

FIG. 2

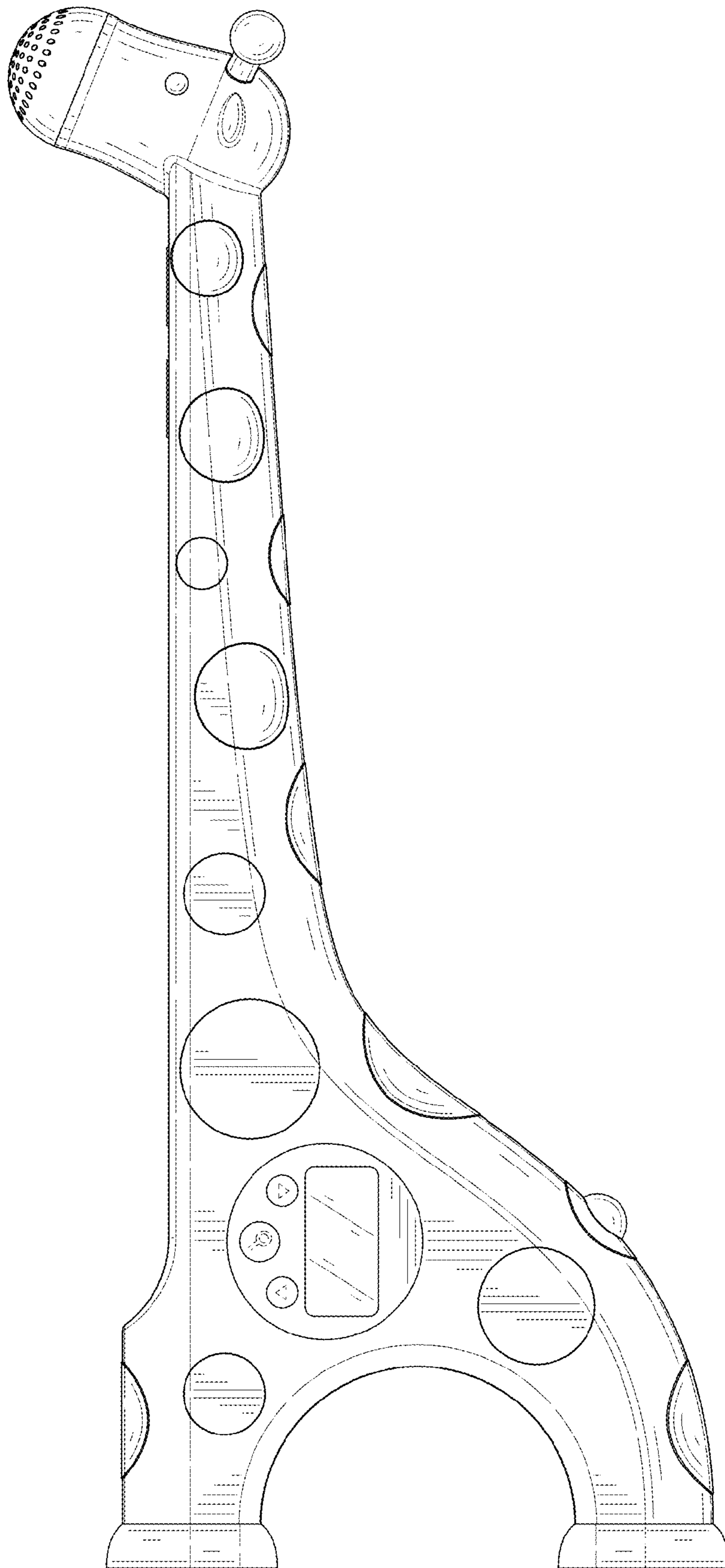


FIG. 3

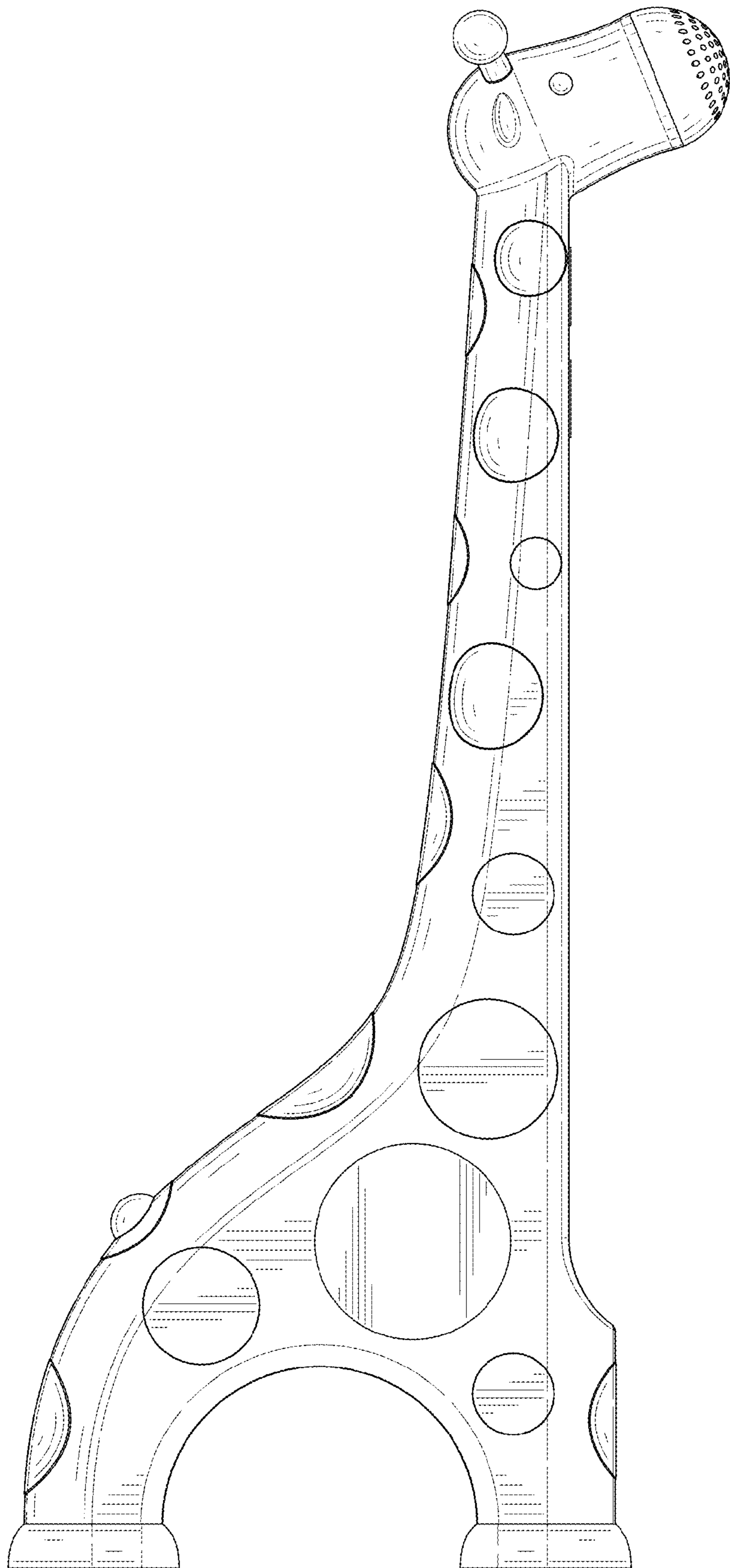


FIG. 4

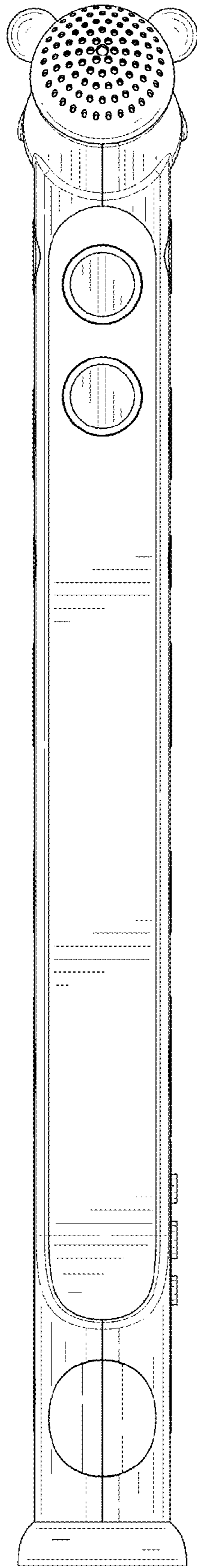


FIG. 5

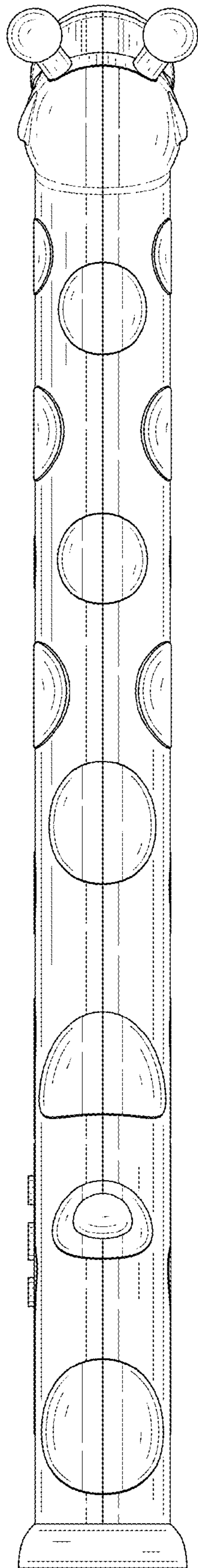


FIG. 6

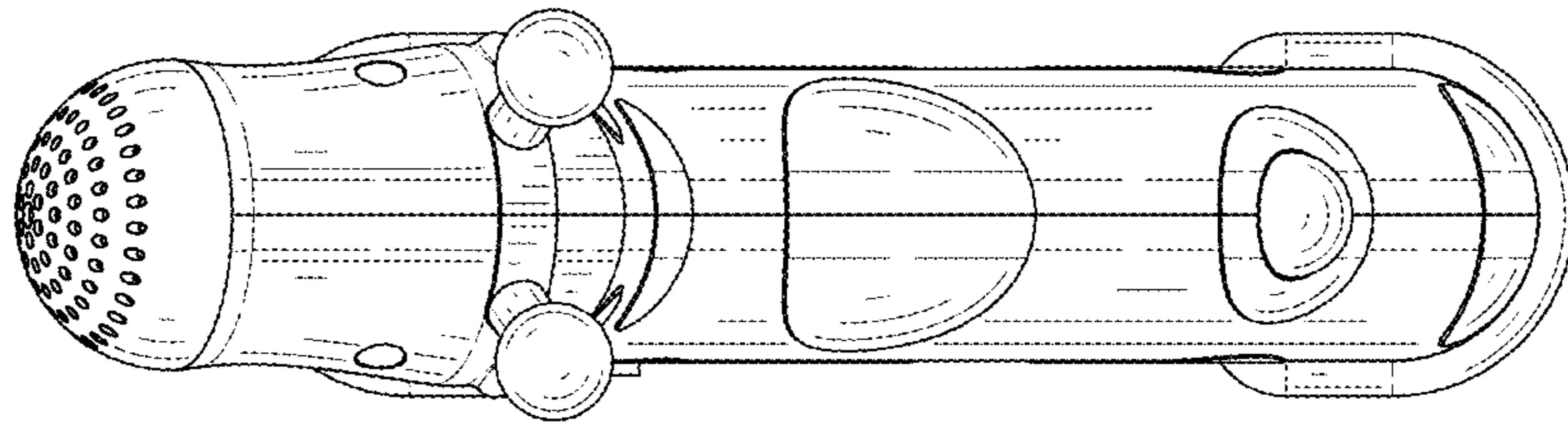


FIG. 7

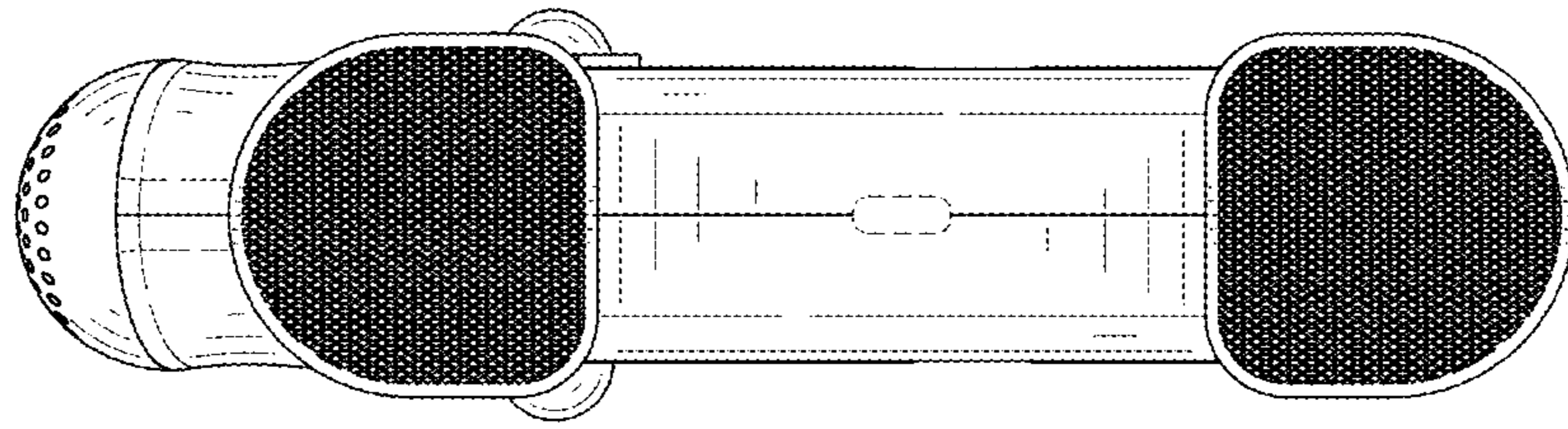


FIG. 8

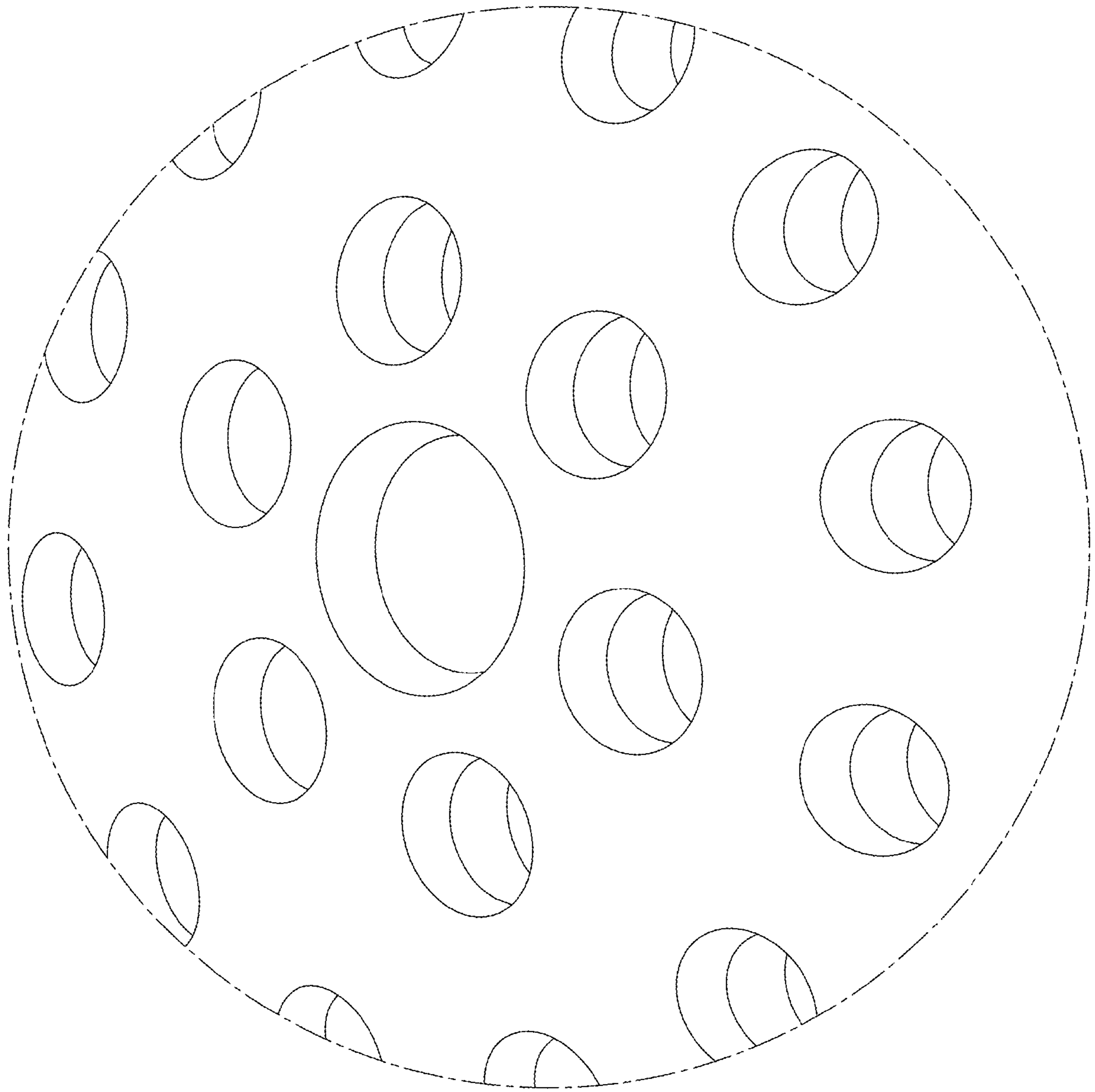


FIG. 9

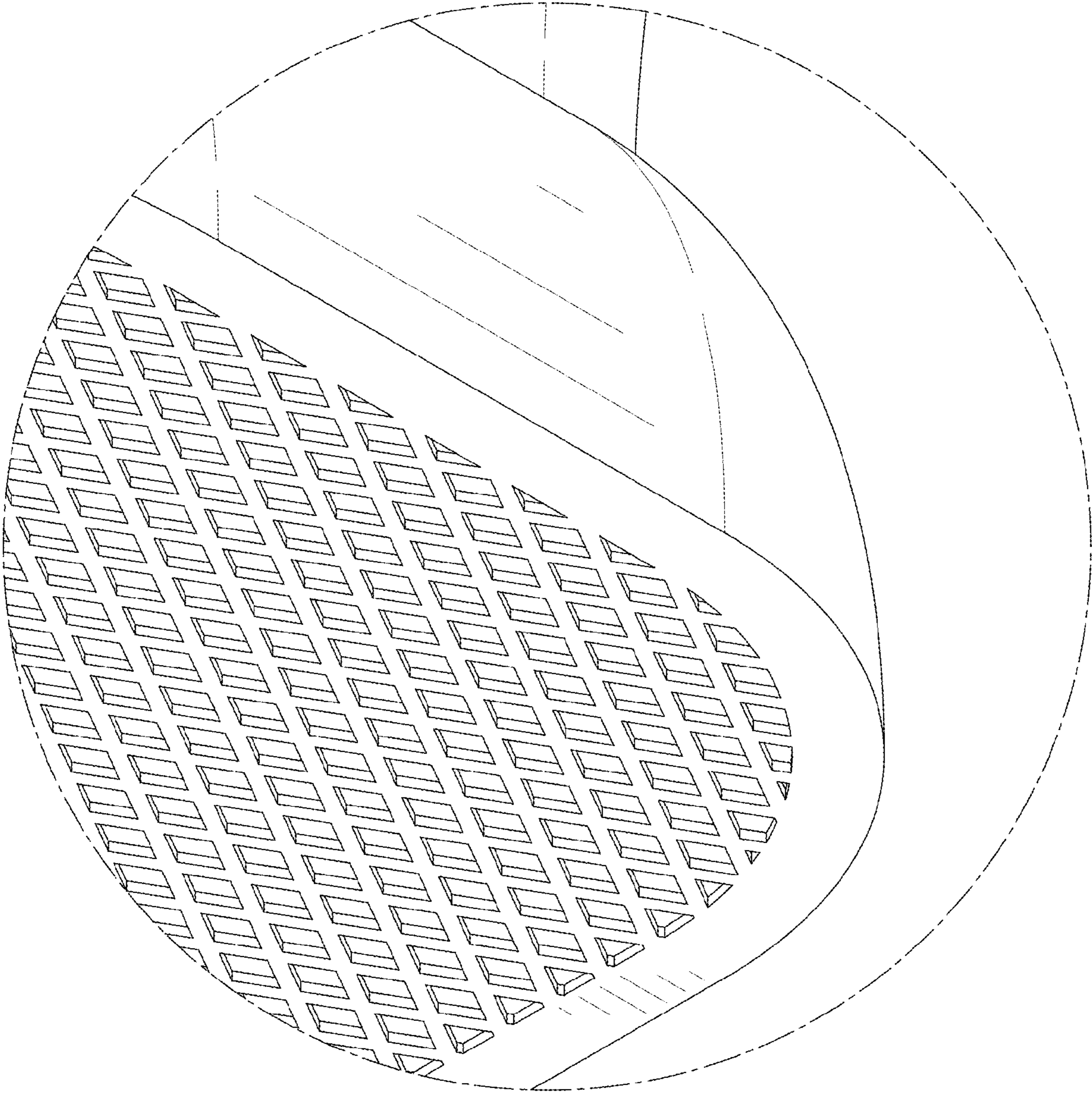


FIG. 10