



US00D952483S

(12) **United States Design Patent**
Zhang et al.

(10) **Patent No.:** **US D952,483 S**

(45) **Date of Patent:** **** May 24, 2022**

(54) **LIDAR**

(71) Applicant: **HESAI TECHNOLOGY CO., LTD.**,
Shanghai (CN)

(72) Inventors: **Chao Zhang**, Shanghai (CN);
Shaoqing Xiang, Shanghai (CN); **Xin Zhao**, Shanghai (CN)

(73) Assignee: **HESAI TECHNOLOGY CO., LTD.**,
Shanghai (CN)

(**) Term: **15 Years**

(21) Appl. No.: **29/733,018**

(22) Filed: **Apr. 29, 2020**

(30) **Foreign Application Priority Data**

Mar. 24, 2020 (CN) 202030103191.0

(51) **LOC (13) Cl.** **10-04**

(52) **U.S. Cl.**
USPC **D10/70**

(58) **Field of Classification Search**
USPC D10/46, 65, 70, 74, 75, 81, 103;
D12/174; D14/204; D16/203, 208
CPC G01S 17/88; G01S 17/931; G01S 13/931;
G01S 15/931; G01S 2013/9325; G01S
13/93; G01S 13/426; G01S 15/93; G01S
7/4806; G08G 5/045; G08G 5/025; B60R
21/0134; B60R 2011/004; B60R
2300/301; B60Q 9/008; B60Q 1/0023
See application file for complete search history.

(56) **References Cited**

U.S. PATENT DOCUMENTS

D226,847 S * 5/1973 King et al. D10/46
D752,998 S * 4/2016 Robinson D10/65

D758,989 S * 6/2016 Vogt, Jr. D14/204
D792,374 S * 7/2017 Kim D14/204
D826,746 S * 8/2018 Qiu D10/70
D849,573 S * 5/2019 Haban D10/70
D882,430 S * 4/2020 Haban D10/70
D886,786 S * 6/2020 Chen D14/204
D922,221 S * 6/2021 Matsumoto D10/50
D935,915 S * 11/2021 Ding D10/70
D938,839 S * 12/2021 Li D10/70
D939,366 S * 12/2021 Tian D10/70

FOREIGN PATENT DOCUMENTS

CN 304945093 * 6/2018
CN 304973279 * 6/2018
CN 304945148 * 8/2018
CN 304945149 * 8/2018
CN 305617394 * 8/2019
CN 305417936 * 11/2019
CN 306018018 * 2/2020
CN 305937687 * 3/2020

* cited by examiner

Primary Examiner — George D. Kirschbaum

Assistant Examiner — Lillian Windham

(74) *Attorney, Agent, or Firm* — MagStone Law, LLP;
Enshan Hong

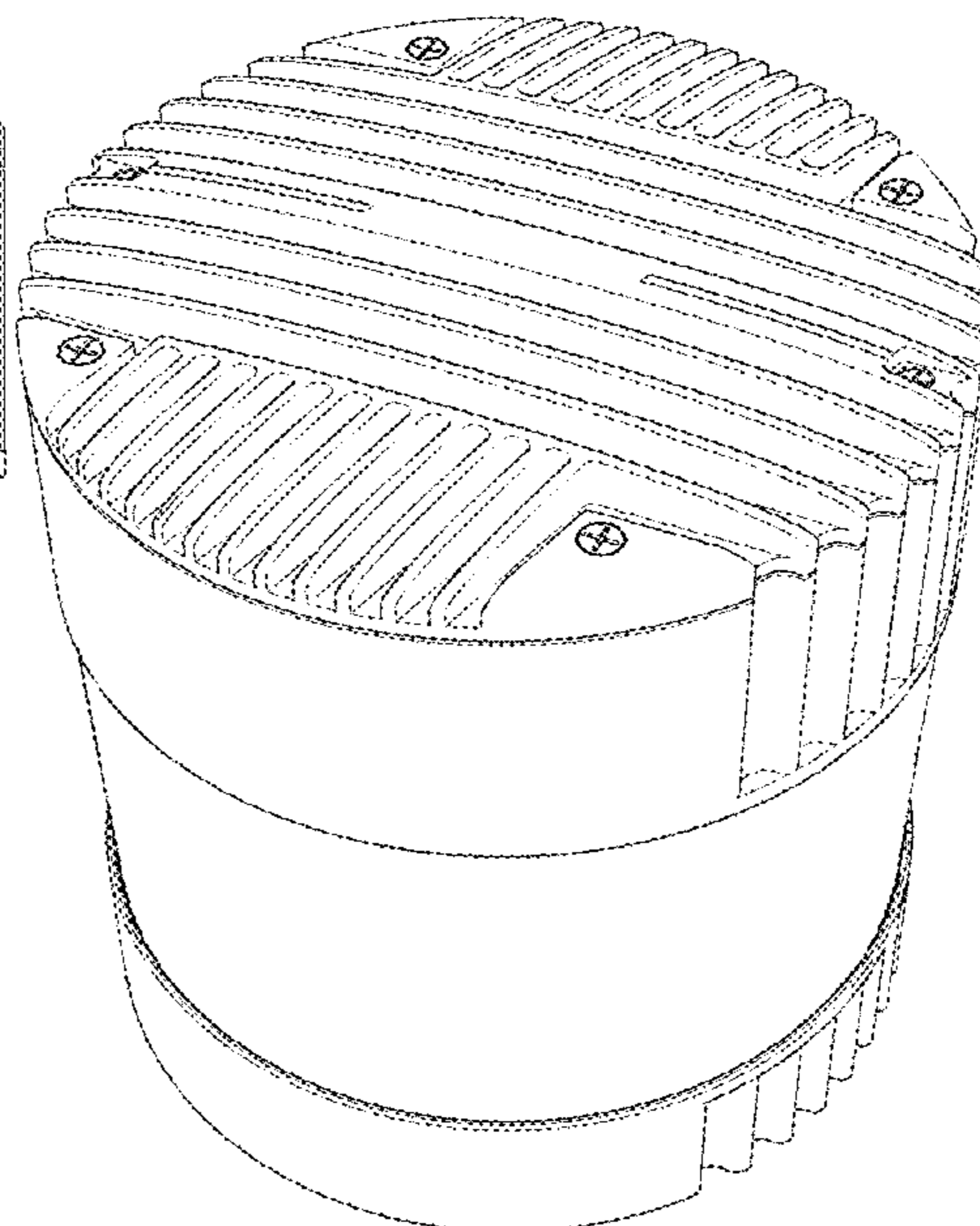
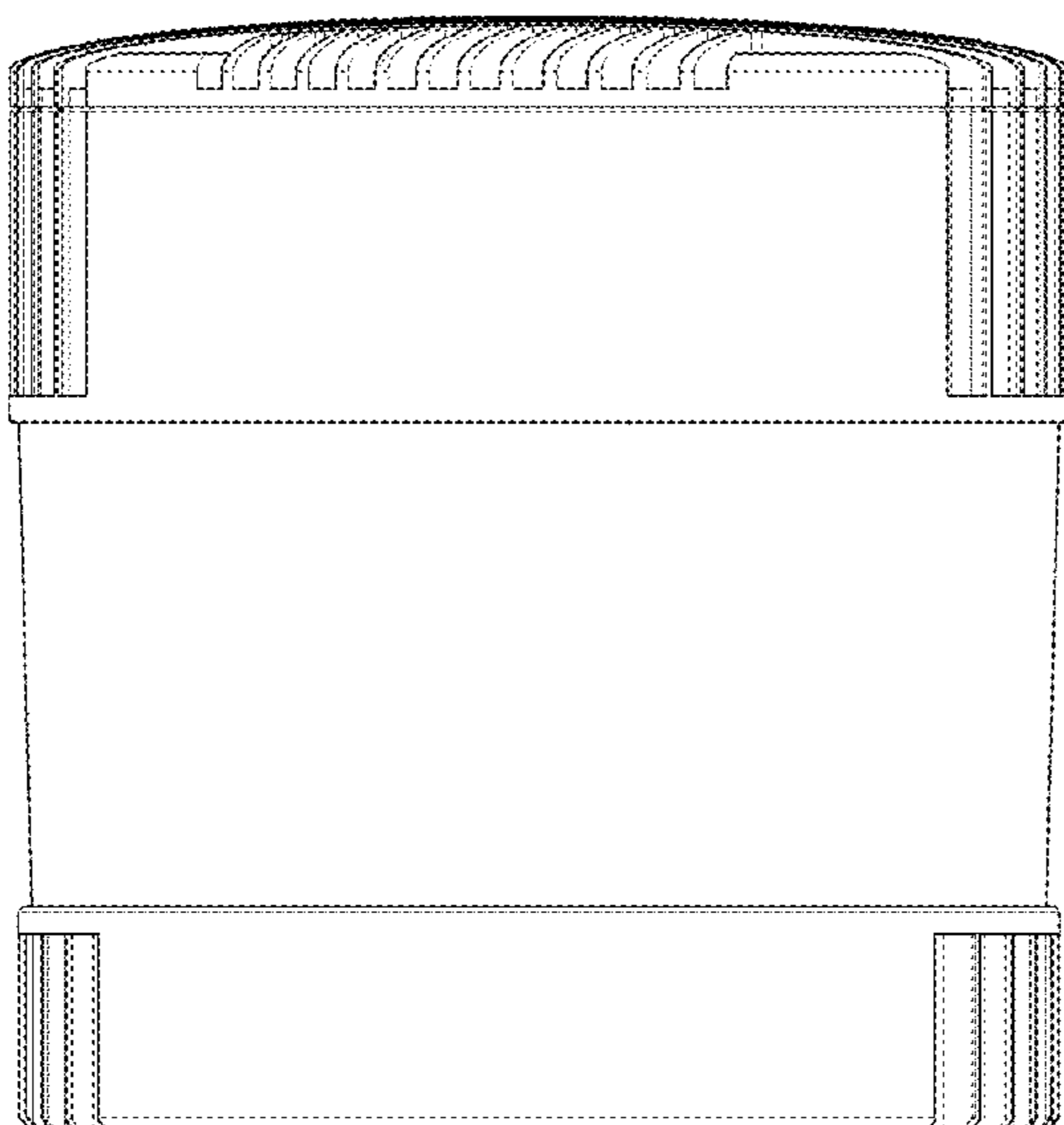
(57) **CLAIM**

The ornamental design for a lidar, as shown and described.

DESCRIPTION

FIG. 1 is a front view of a lidar showing our new design;
FIG. 2 is a back view thereof;
FIG. 3 is a left view thereof;
FIG. 4 is a right view thereof;
FIG. 5 is a top view thereof;
FIG. 6 is a bottom view thereof; and,
FIG. 7 is a perspective view thereof.

1 Claim, 7 Drawing Sheets



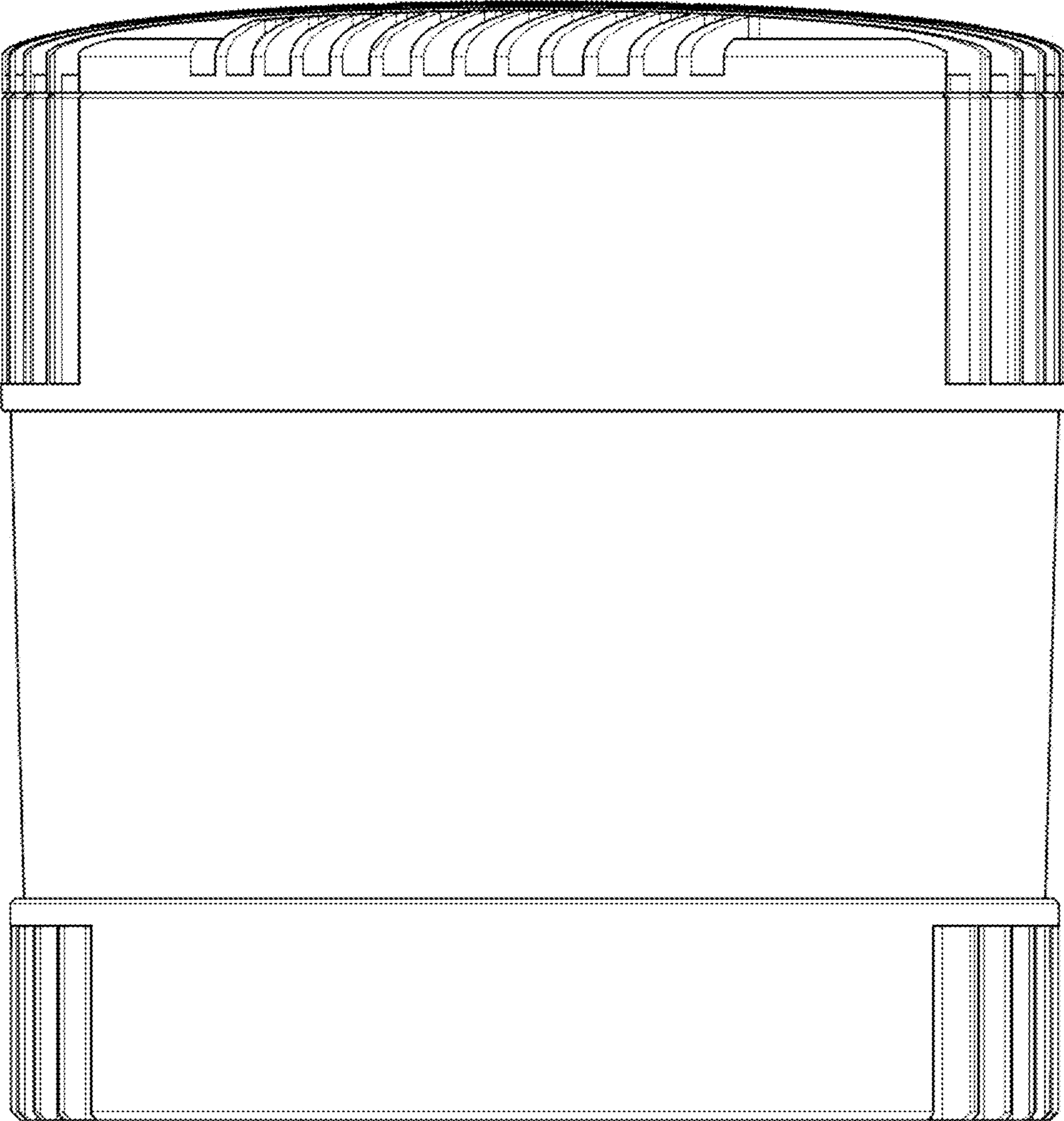


Fig. 1

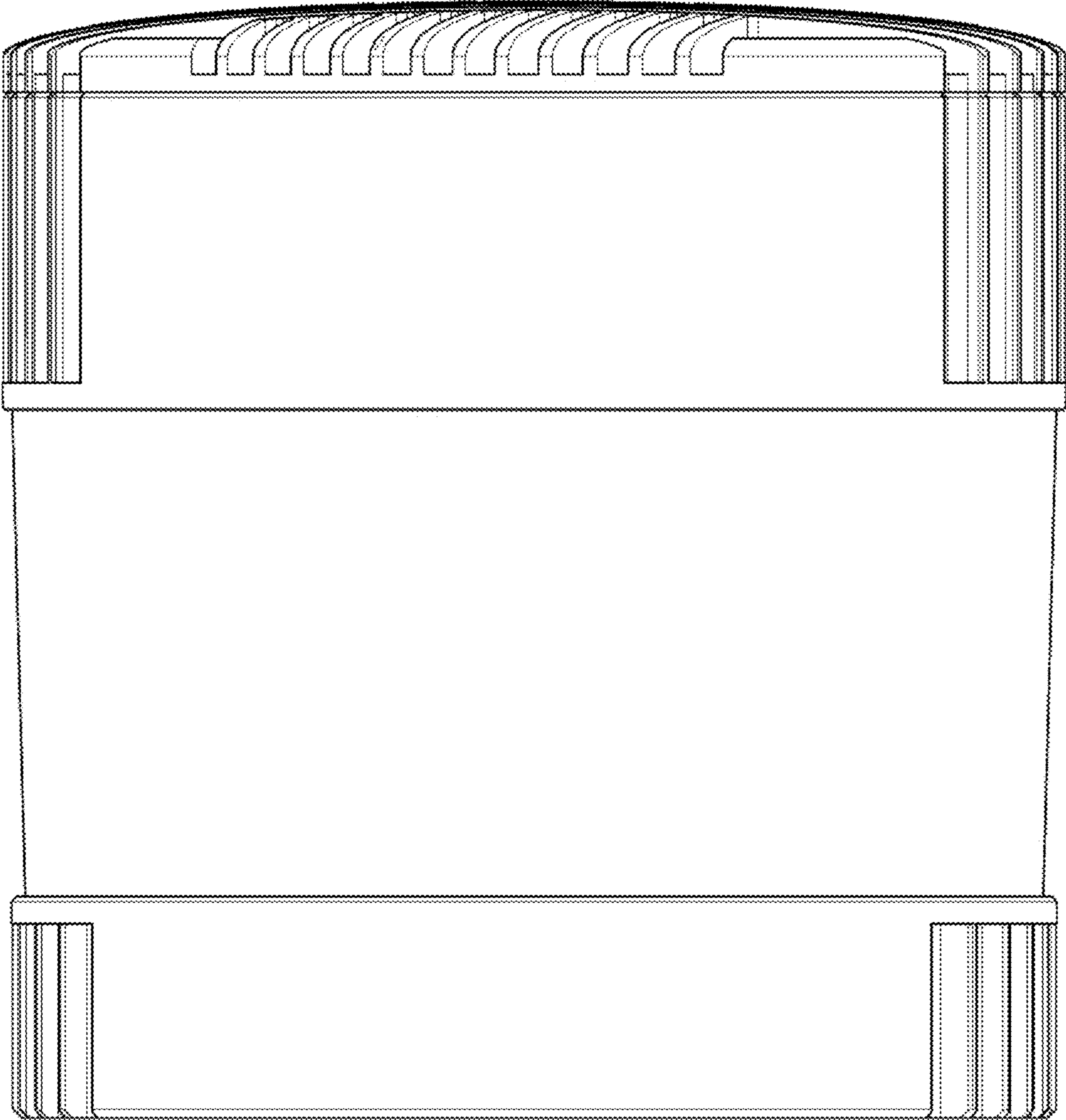


Fig. 2

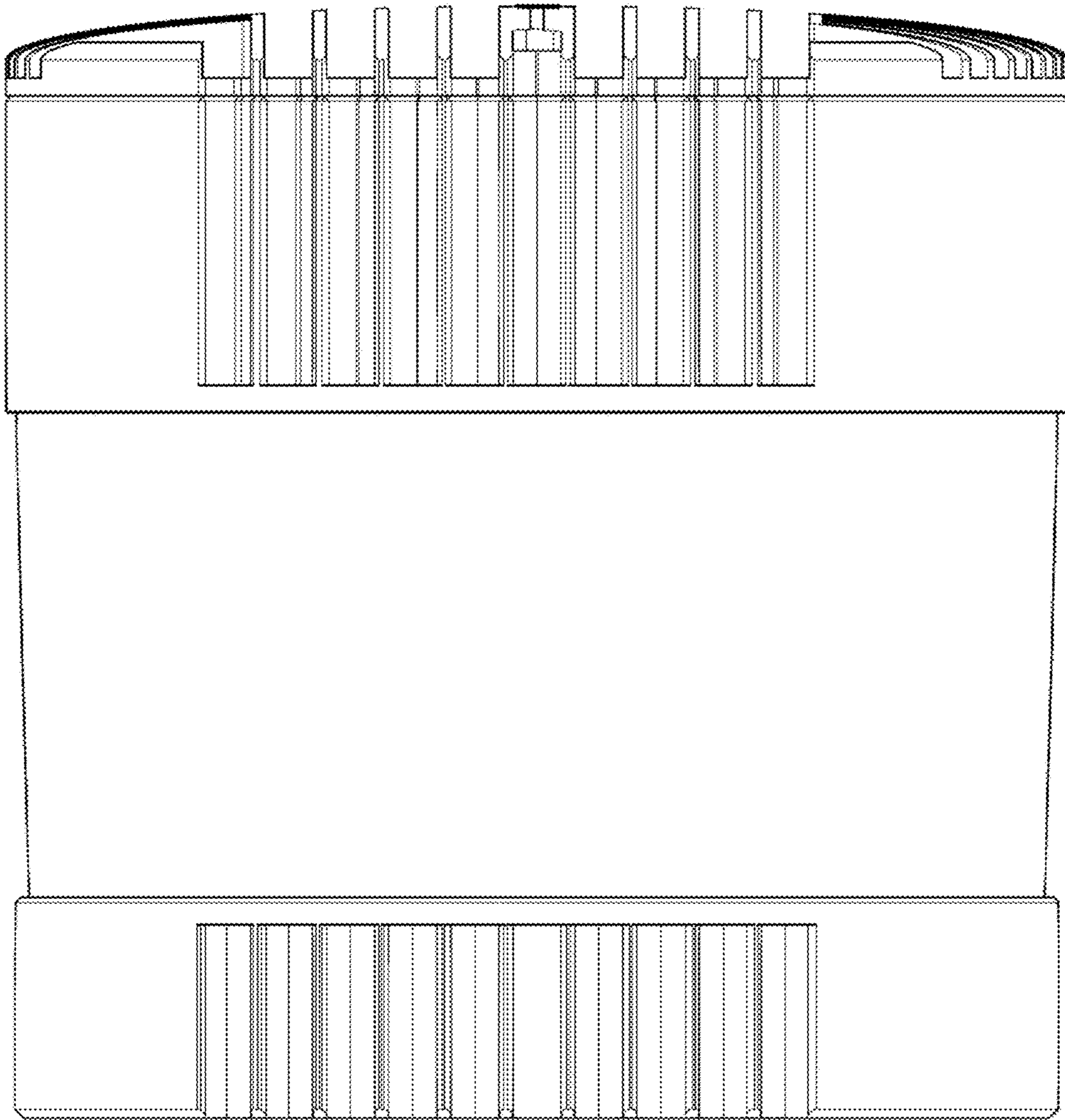


Fig. 3

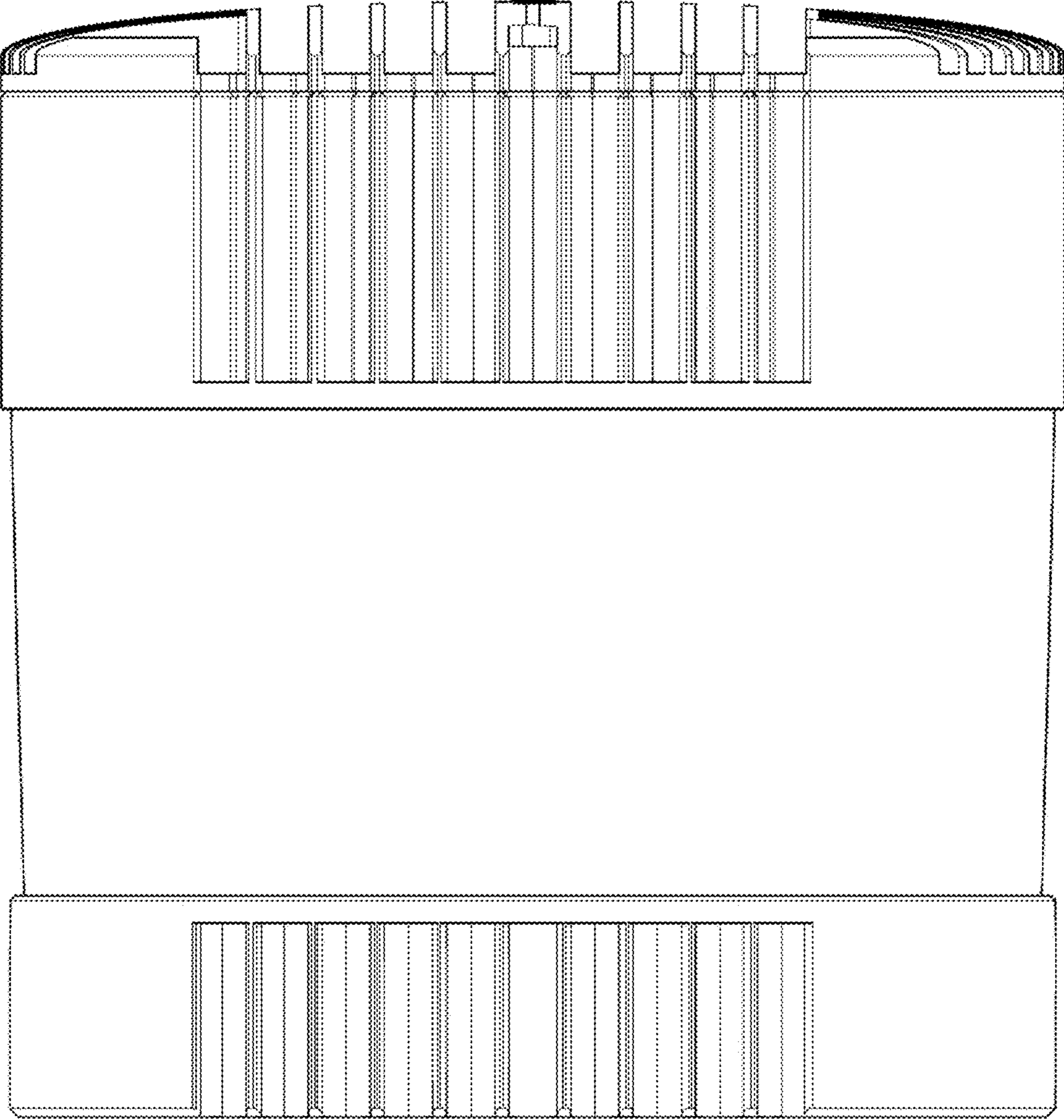


Fig. 4

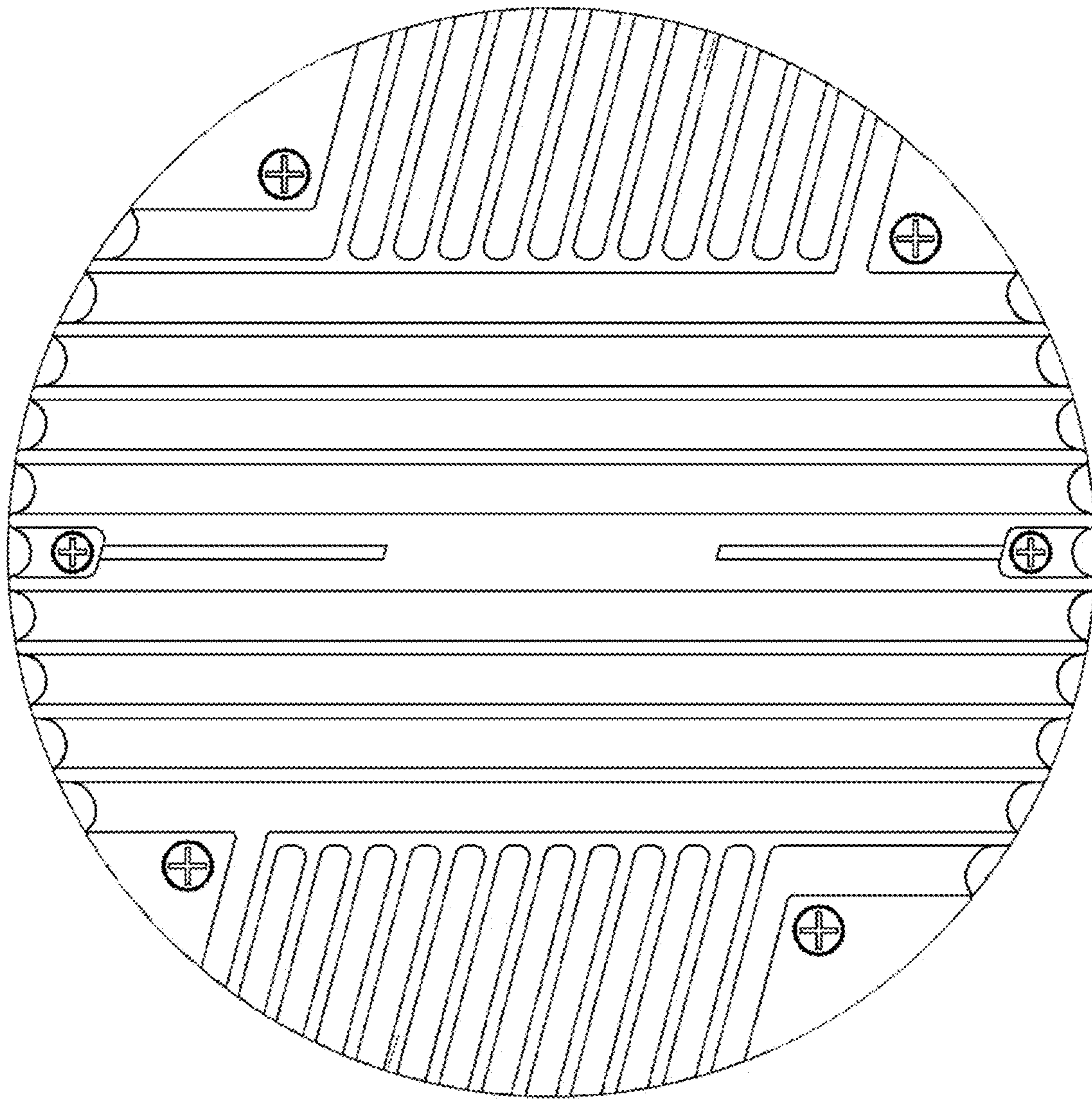


Fig. 5

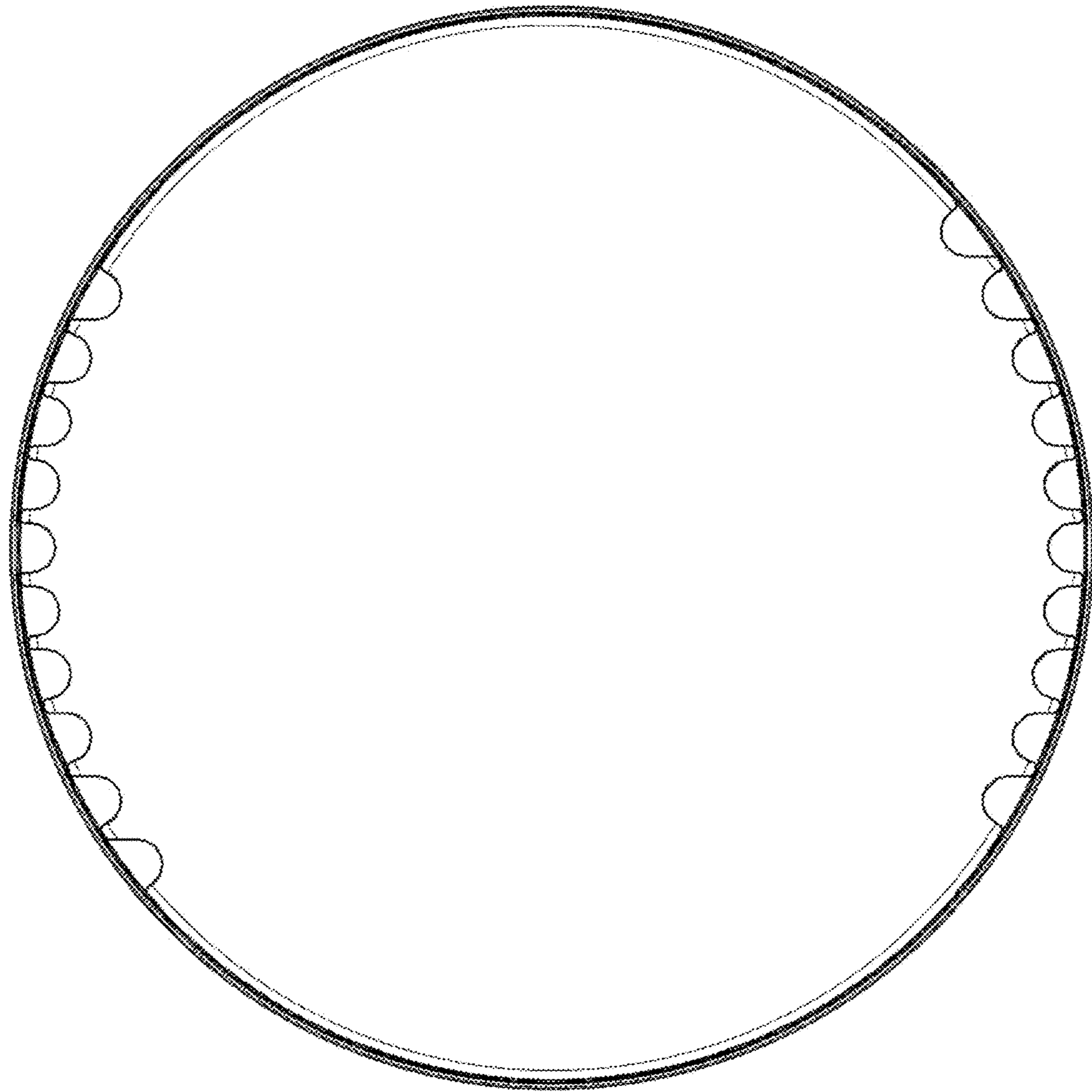


Fig. 6

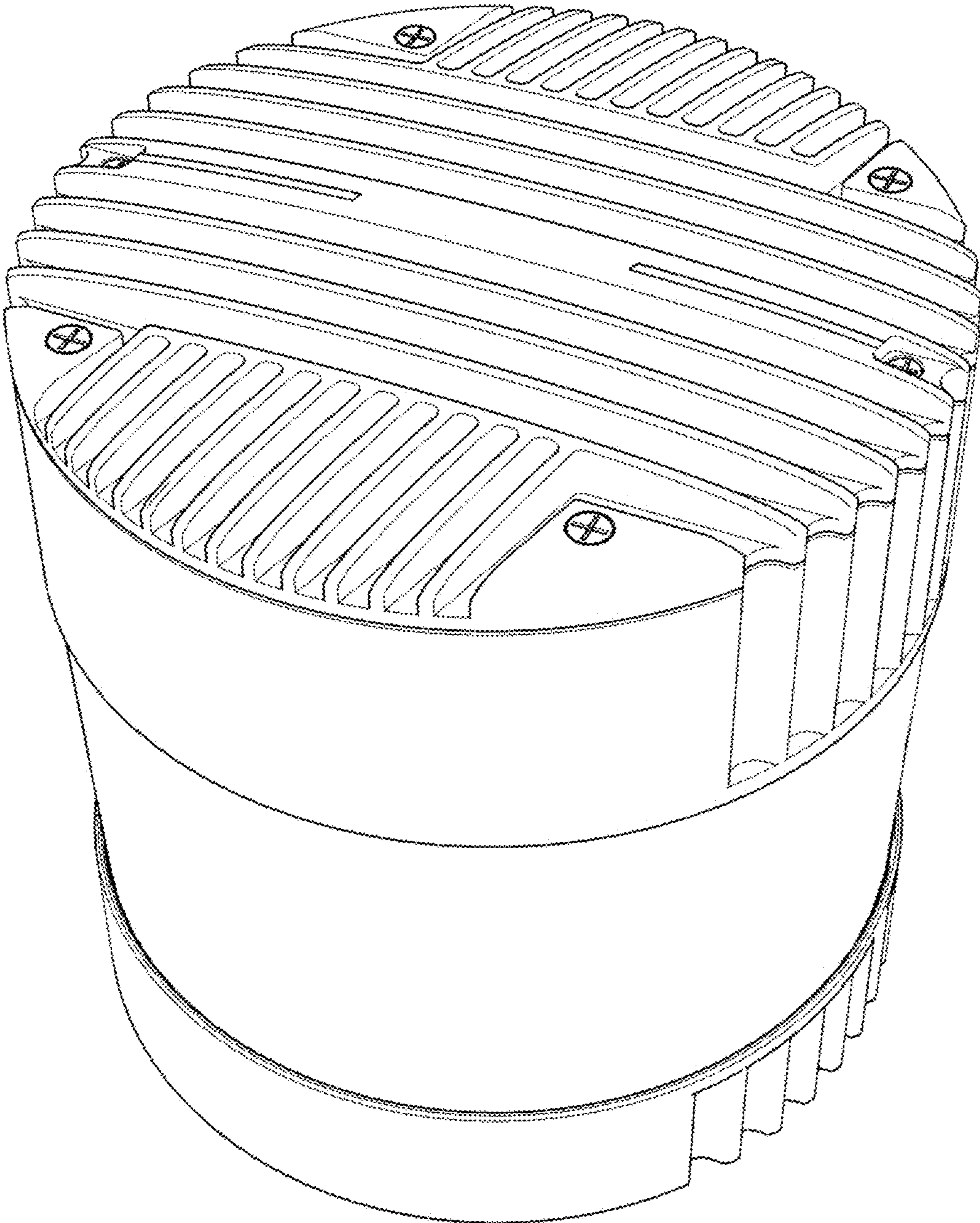


Fig. 7