



US00D952482S

(12) **United States Design Patent** (10) **Patent No.:** **US D952,482 S**
Wang (45) **Date of Patent:** **** May 24, 2022**

(54) **LASER RANGEFINDER**

(71) Applicant: **Tao Wang**, Hubei (CN)

(72) Inventor: **Tao Wang**, Hubei (CN)

(**) Term: **15 Years**

(21) Appl. No.: **29/716,242**

(22) Filed: **Dec. 9, 2019**

(51) **LOC (13) Cl.** **10-04**

(52) **U.S. Cl.**
USPC **D10/70**

(58) **Field of Classification Search**
USPC D10/61–62, 65–66, 70
CPC ... G01C 3/00; G01C 3/02; G01C 3/06; G01C
3/08; G01C 3/085; G01B 7/023; G01B
11/02; G01B 11/026; G01B 11/0608
See application file for complete search history.

(56) **References Cited**

U.S. PATENT DOCUMENTS

- 7,330,398 B2 * 2/2008 Yang G01S 7/52004
367/902
- D574,270 S * 8/2008 Bell D10/65
- D574,276 S * 8/2008 Burkandt D10/70
- D589,826 S * 4/2009 Kiesel D10/69
- D692,329 S * 10/2013 Burkandt D10/70
- D736,108 S * 8/2015 Cha D10/70
- D781,812 S * 3/2017 Cho D14/204
- 9,726,760 B2 * 8/2017 Lai G01S 17/08
- D797,583 S * 9/2017 Chou D10/70
- D805,412 S * 12/2017 Lu D10/70

- D812,000 S * 3/2018 Li D13/108
- D826,747 S * 8/2018 Liu D10/70
- D850,303 S * 6/2019 Wang D10/70
- D861,516 S * 10/2019 Rao D10/70
- 10,451,715 B2 * 10/2019 Chu G01S 7/497
- D867,178 S * 11/2019 Deng D10/70
- D882,429 S * 4/2020 Huo D10/70
- D903,303 S * 12/2020 Guo D3/209
- 2013/0077081 A1 * 3/2013 Lin G01C 3/08
356/3.01
- 2014/0327901 A1 * 11/2014 Gros G01S 17/08
356/4.01
- 2016/0202056 A1 * 7/2016 Senger G01C 3/02
356/3

FOREIGN PATENT DOCUMENTS

CN 201930258625.1 * 5/2019

* cited by examiner

Primary Examiner — Katherine Glennon

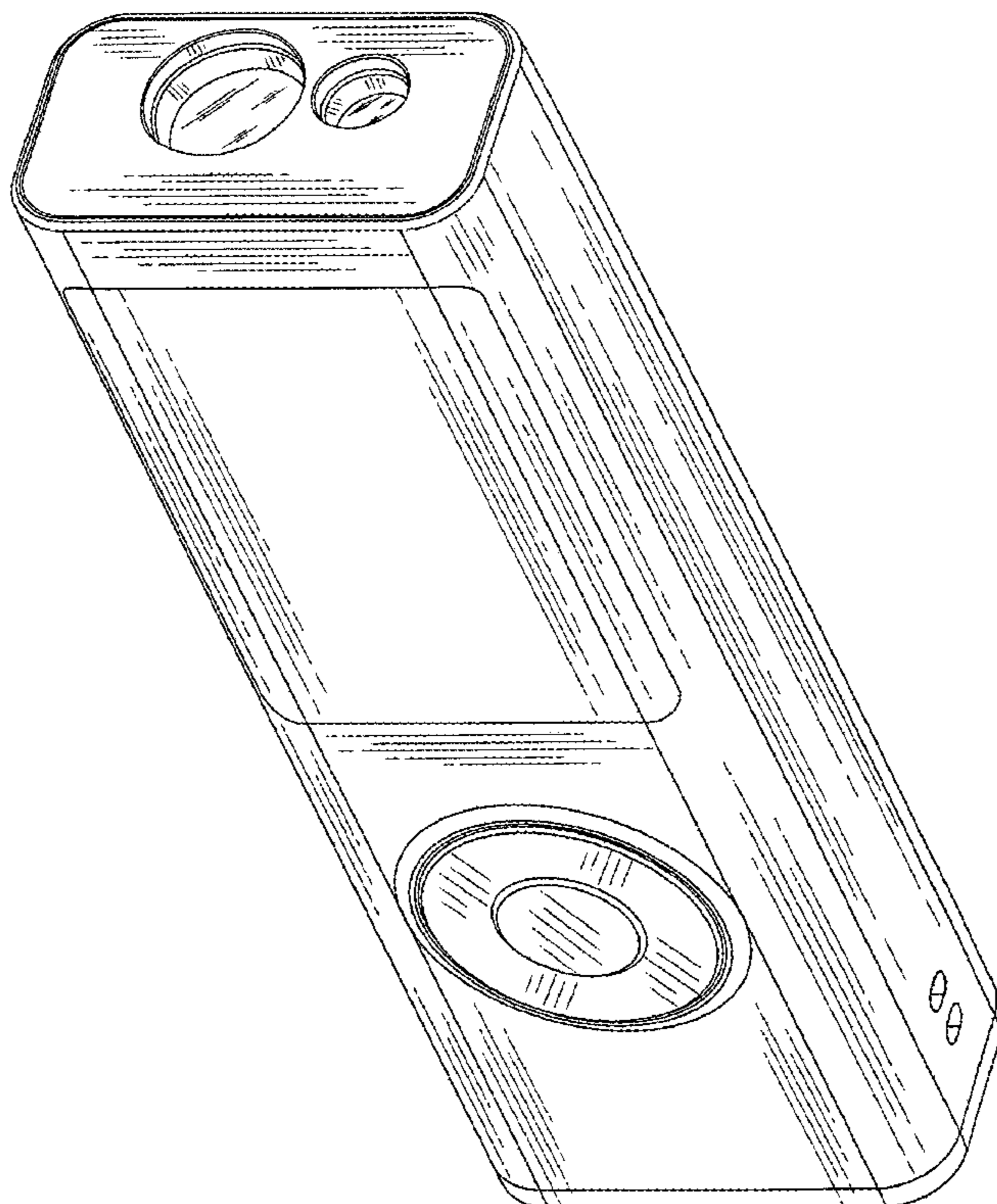
(57) **CLAIM**

The ornamental design for a laser rangefinder, as shown and described.

DESCRIPTION

FIG. 1 is a perspective view of a laser rangefinder showing my new design;
FIG. 2 is a front elevation view thereof;
FIG. 3 is a rear elevation view thereof;
FIG. 4 is a left side elevation view thereof;
FIG. 5 is a right side elevation view thereof;
FIG. 6 is a top plan view thereof; and,
FIG. 7 is a bottom plan view thereof.

1 Claim, 7 Drawing Sheets



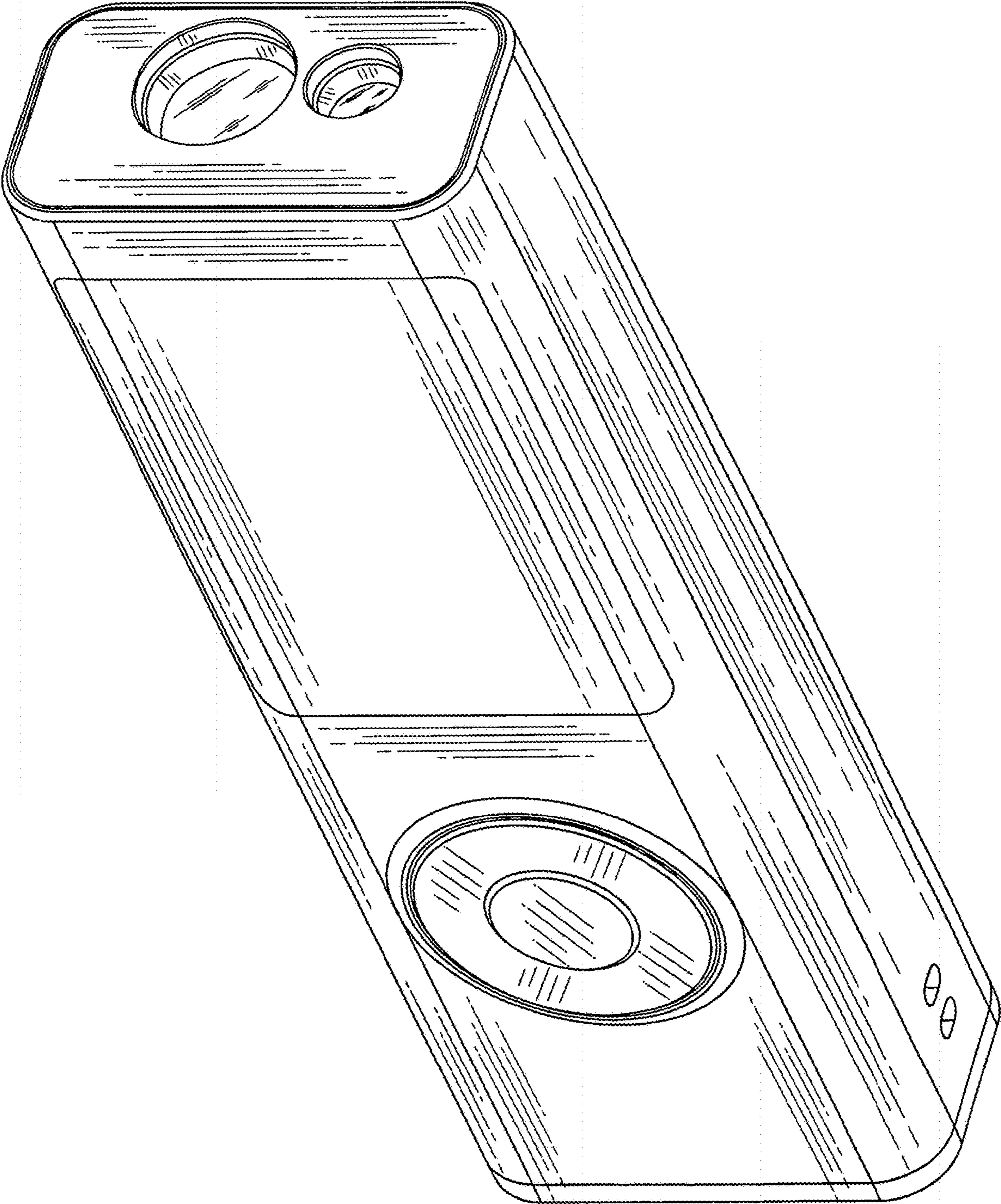


FIG. 1

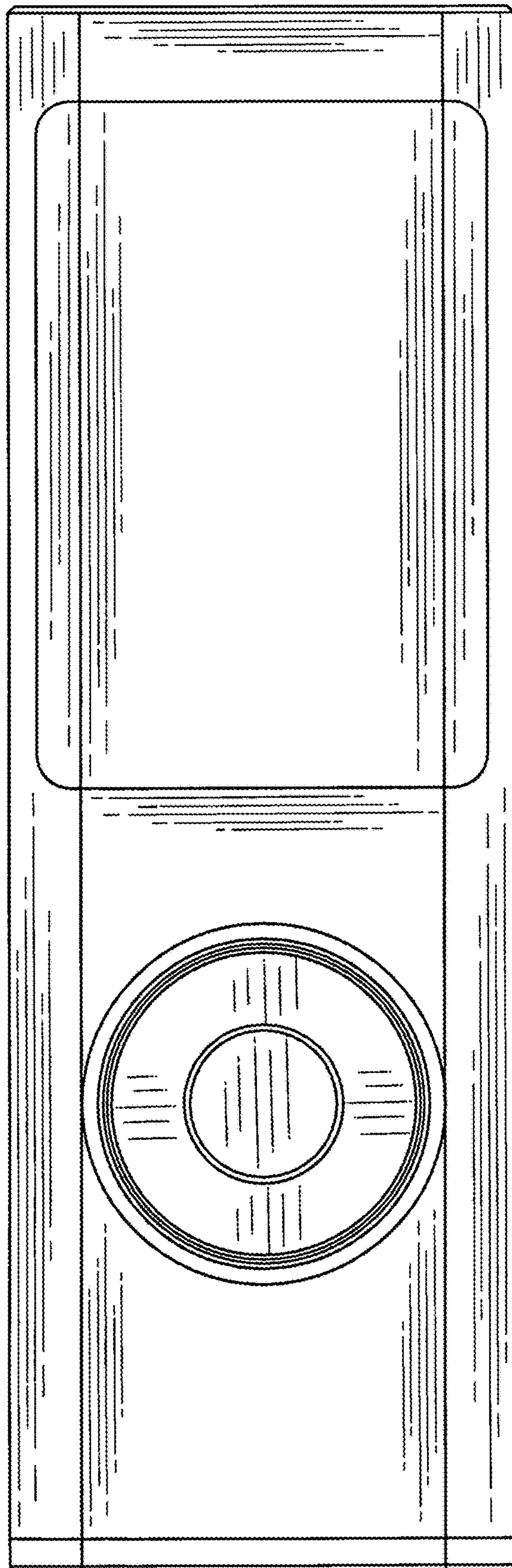


FIG. 2

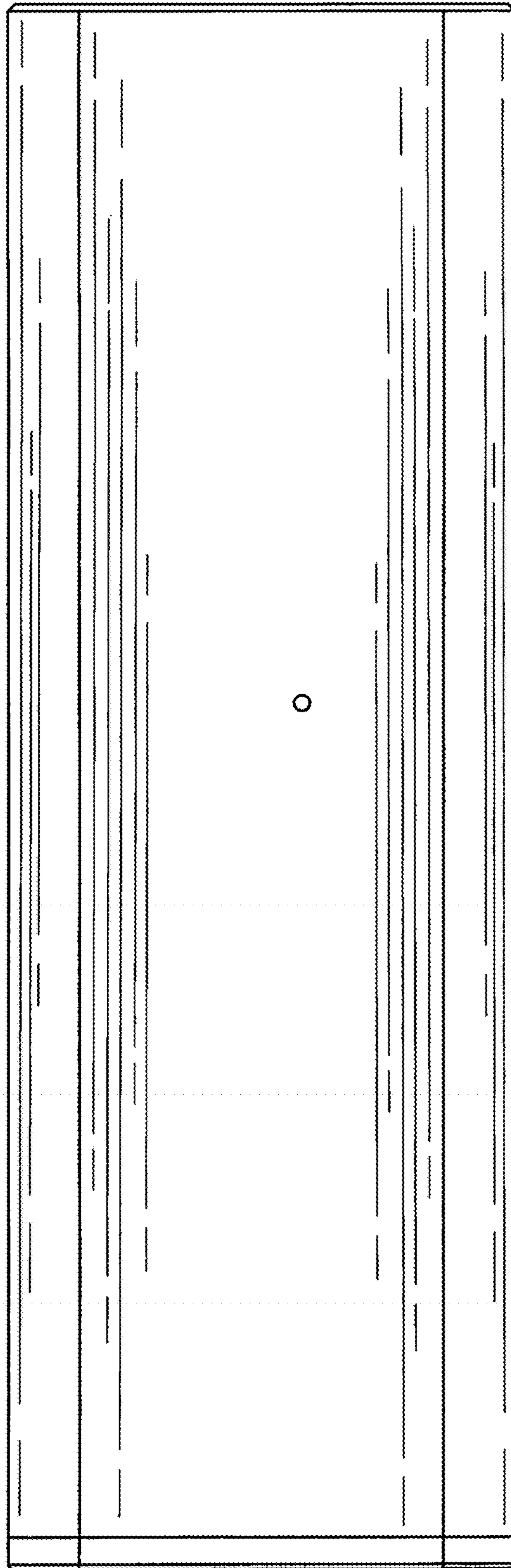


FIG. 3

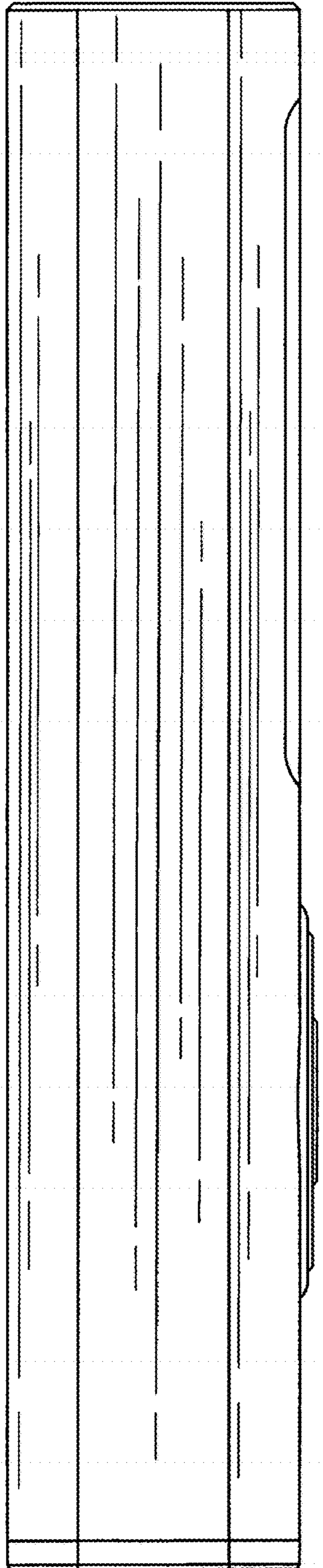


FIG. 4

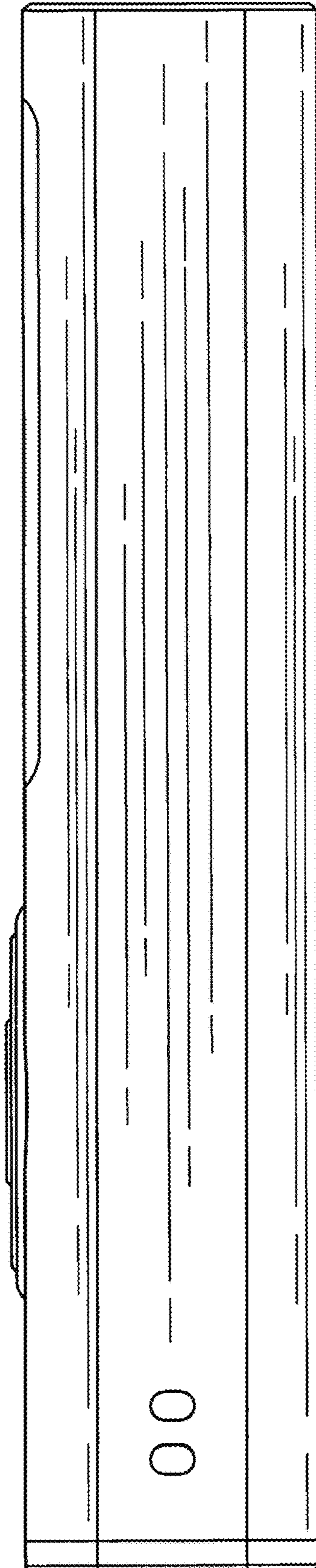


FIG. 5

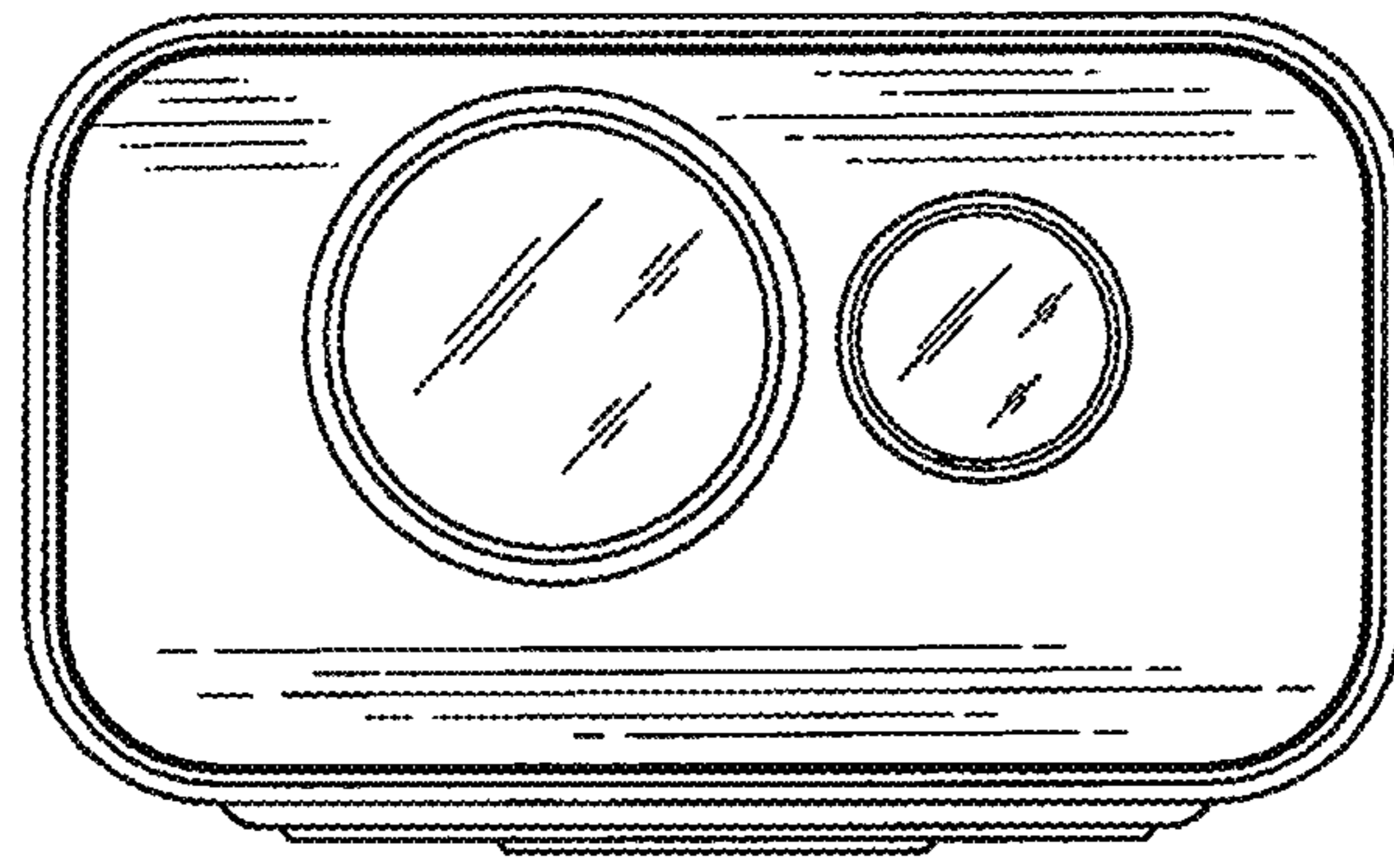


FIG. 6

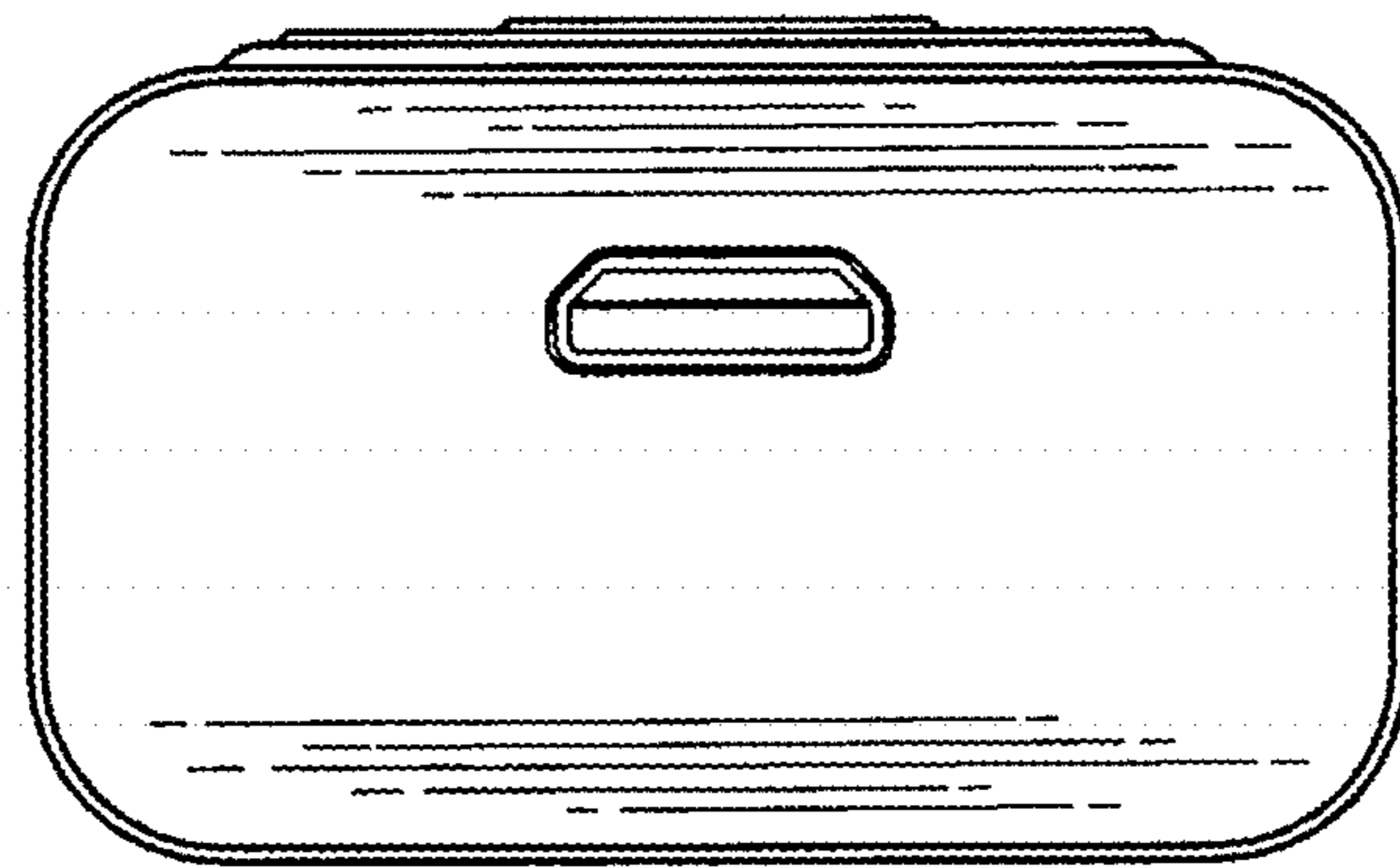


FIG. 7