



US00D952481S

(12) **United States Design Patent**  
**Song**

(10) **Patent No.:** **US D952,481 S**

(45) **Date of Patent:** **\*\* May 24, 2022**

(54) **THERMOMETER**

D865,542 S 11/2019 Rechberg et al.  
D884,495 S 5/2020 Fleet et al.  
D919,458 S 5/2021 Dai

(71) Applicant: **Hailin Song**, Hangzhou (CN)

(72) Inventor: **Hailin Song**, Hangzhou (CN)

(\*\*) Term: **15 Years**

FOREIGN PATENT DOCUMENTS

CN 111707380 A \* 9/2020 ..... G01J 5/12

\* cited by examiner

(21) Appl. No.: **29/798,065**

*Primary Examiner* — Antoine Duval Davis

(22) Filed: **Jul. 6, 2021**

(51) **LOC (13) Cl.** ..... **10-04**

(52) **U.S. Cl.**

USPC ..... **D10/58**

(58) **Field of Classification Search**

USPC ..... D10/58

CPC .. G01K 1/08; G01K 1/02; G01K 1/12; G01K  
1/00; G01K 5/00; G01K 5/025; G01K  
5/04; G01K 5/10

See application file for complete search history.

(57) **CLAIM**

The ornamental design for a thermometer, as shown and described.

**DESCRIPTION**

FIG. 1 is a first perspective view of a thermometer showing my new design;

FIG. 2 is a second perspective view thereof;

FIG. 3 is a front view thereof;

FIG. 4 is a back view thereof;

FIG. 5 is a left side view thereof;

FIG. 6 is a right side view thereof;

FIG. 7 is a top view thereof; and,

FIG. 8 is a bottom view thereof.

The broken lines shown in the drawings depict portions of the thermometer in which the design is embodied that form no part of the claimed design.

(56) **References Cited**

U.S. PATENT DOCUMENTS

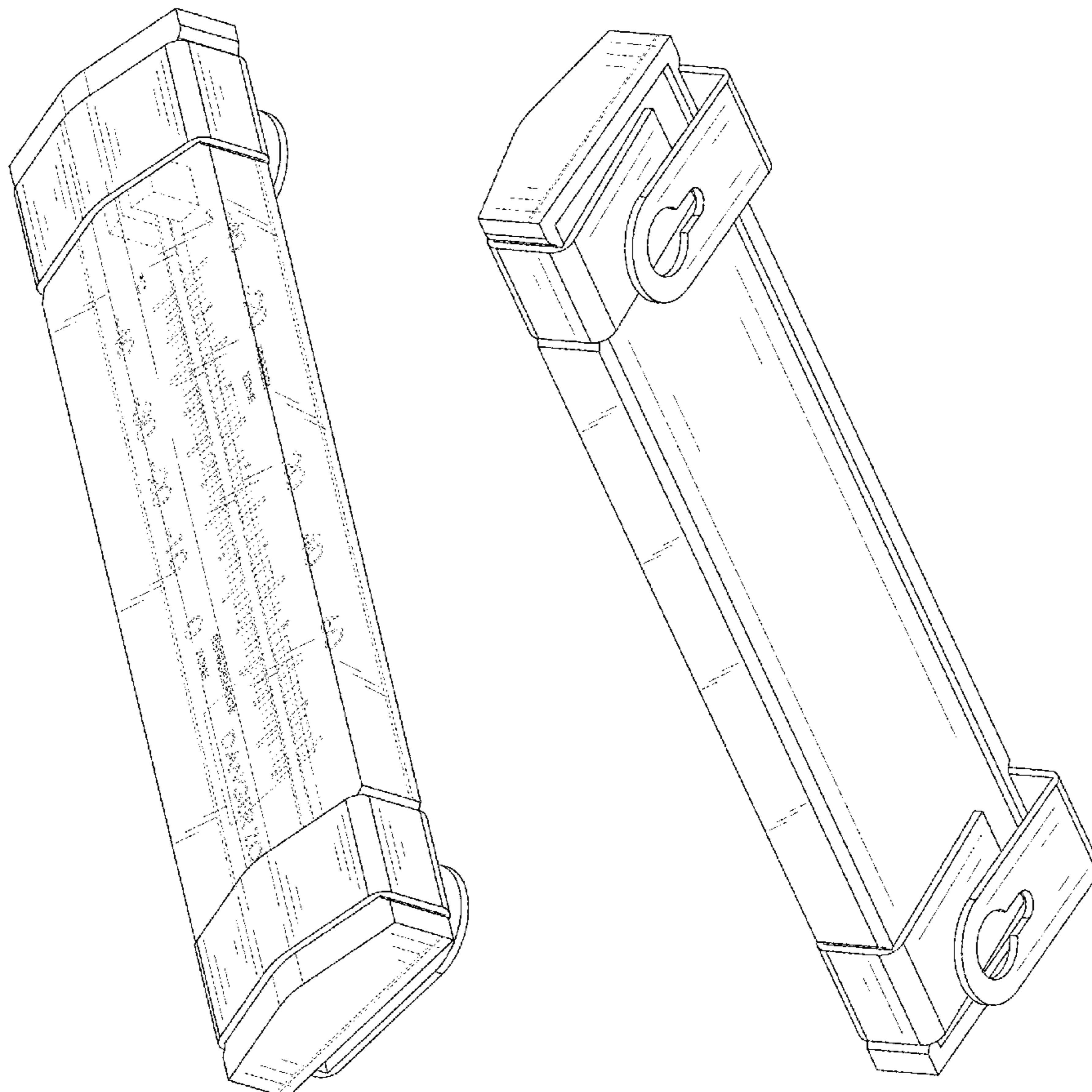
D287,702 S \* 1/1987 Klagenberg ..... D10/58

D292,072 S \* 9/1987 Bertani ..... D10/53

4,738,549 A \* 4/1988 Plimpton ..... G01K 13/00  
374/161

D372,875 S \* 8/1996 Hollinger ..... G01K 13/00  
D10/58

**1 Claim, 8 Drawing Sheets**



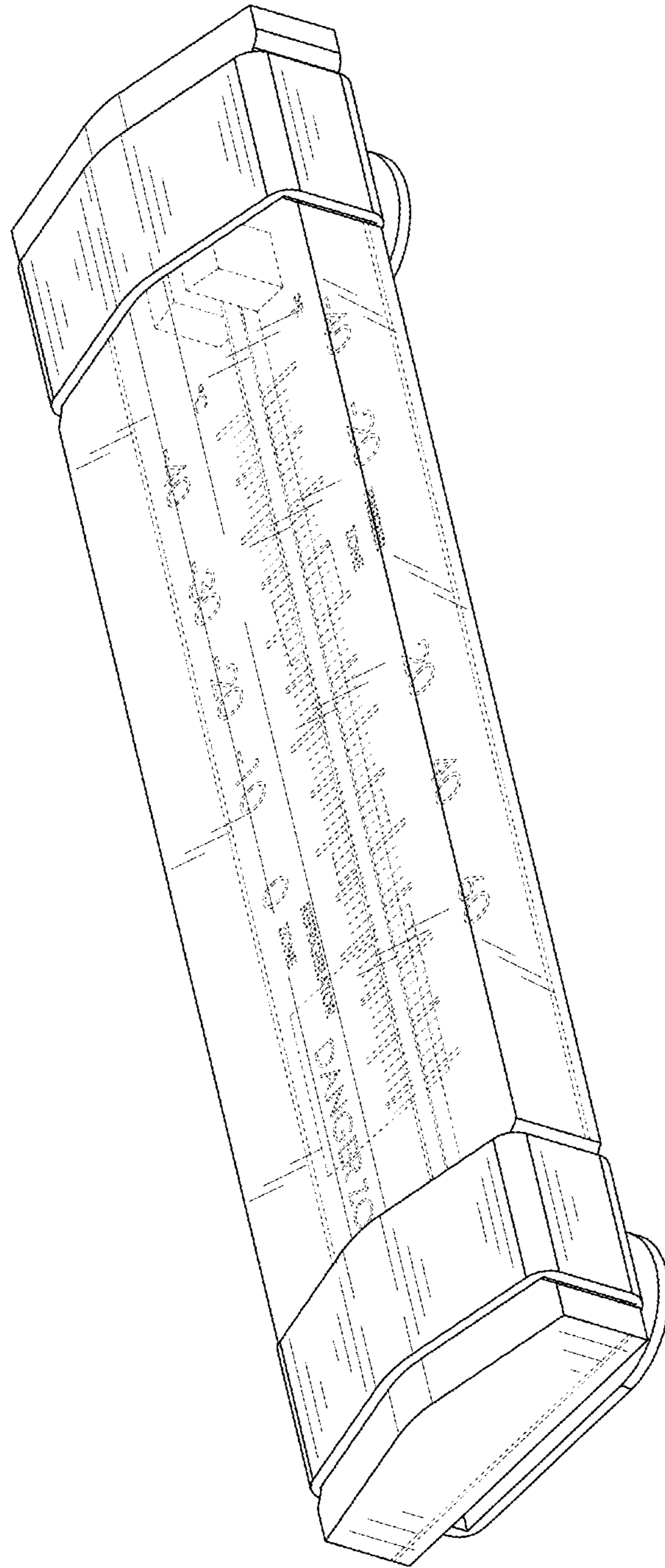


FIG. 1

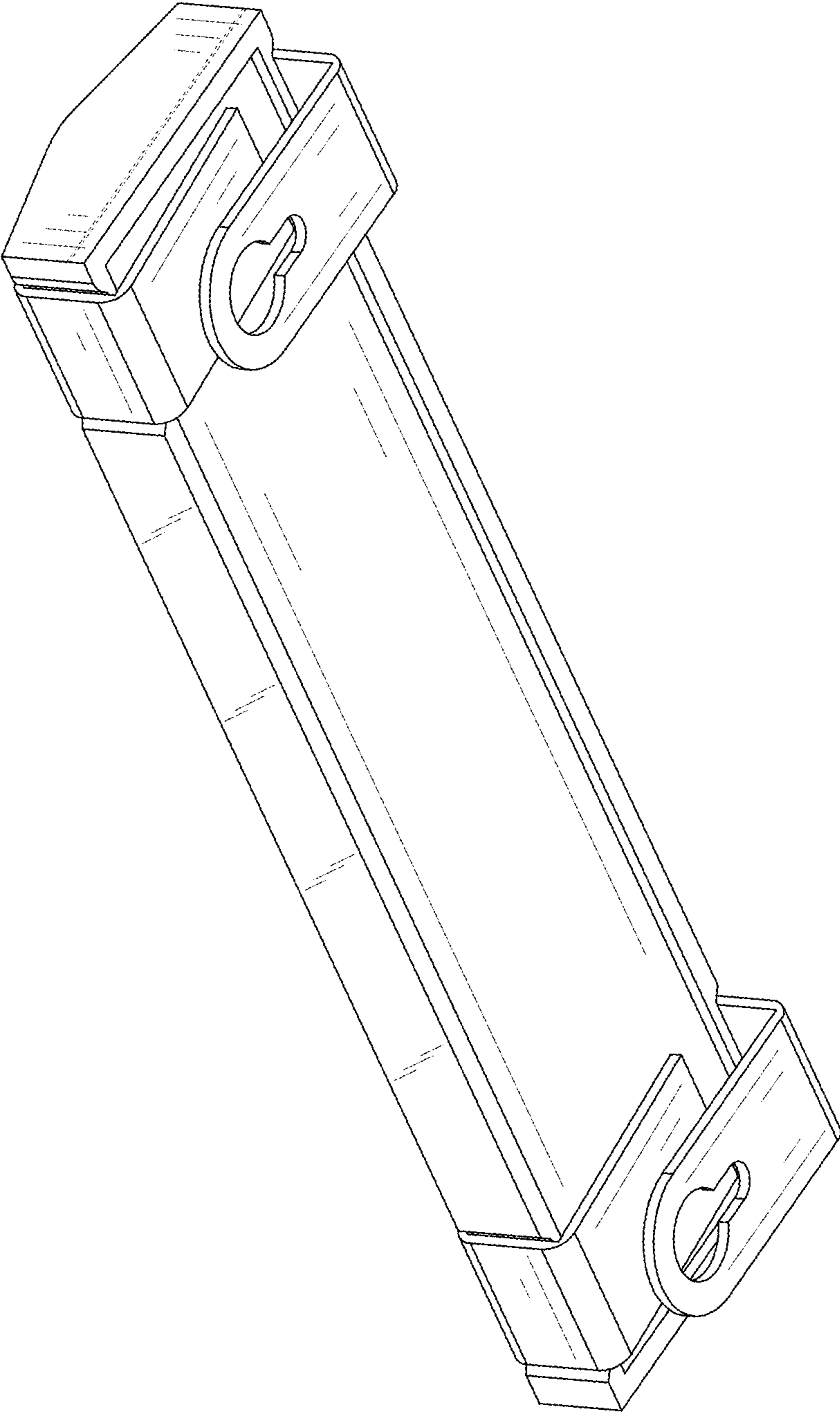


FIG. 2

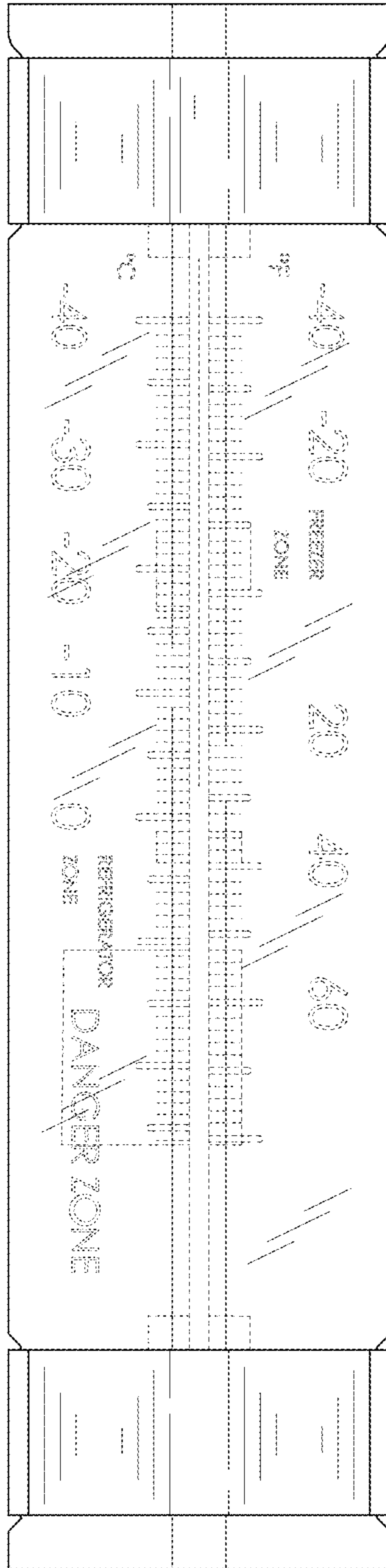


FIG. 3

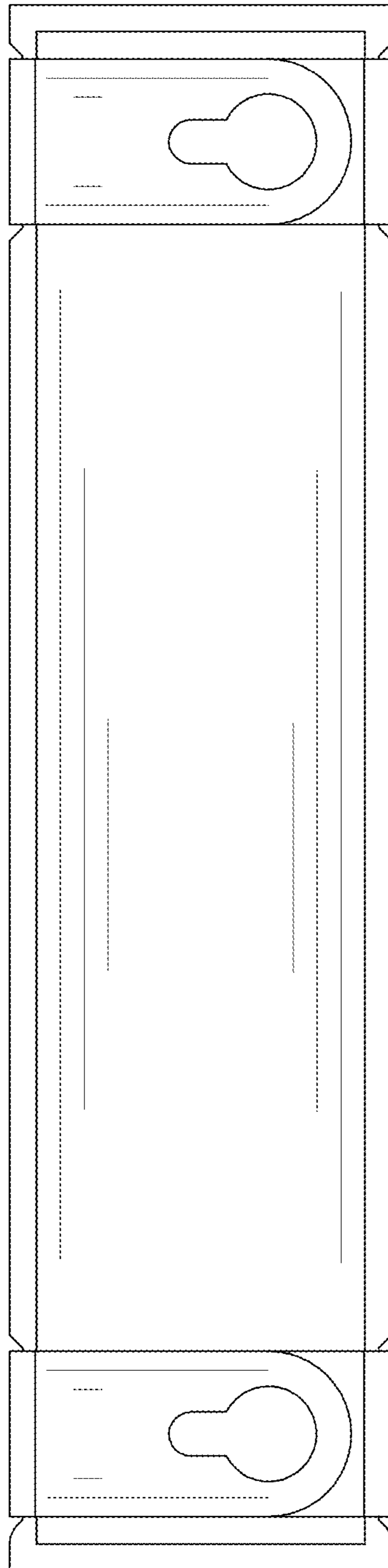


FIG. 4

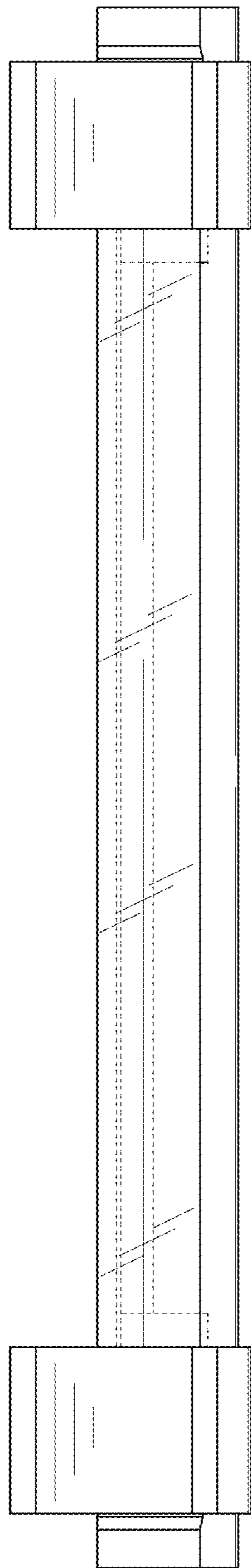


FIG. 5

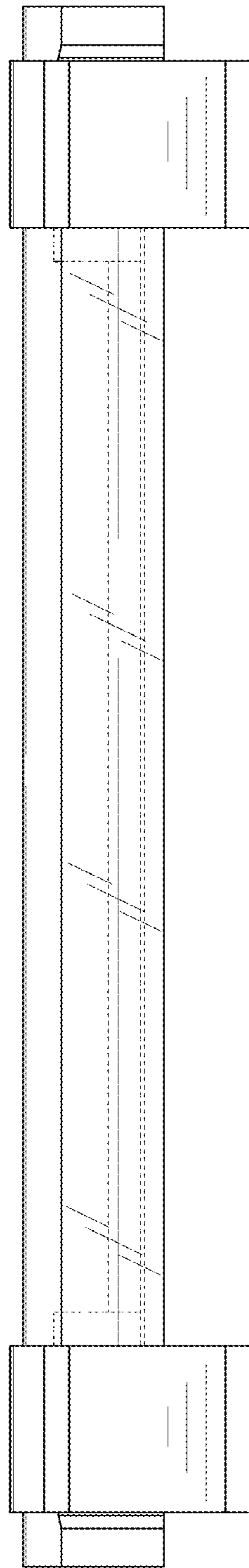


FIG. 6

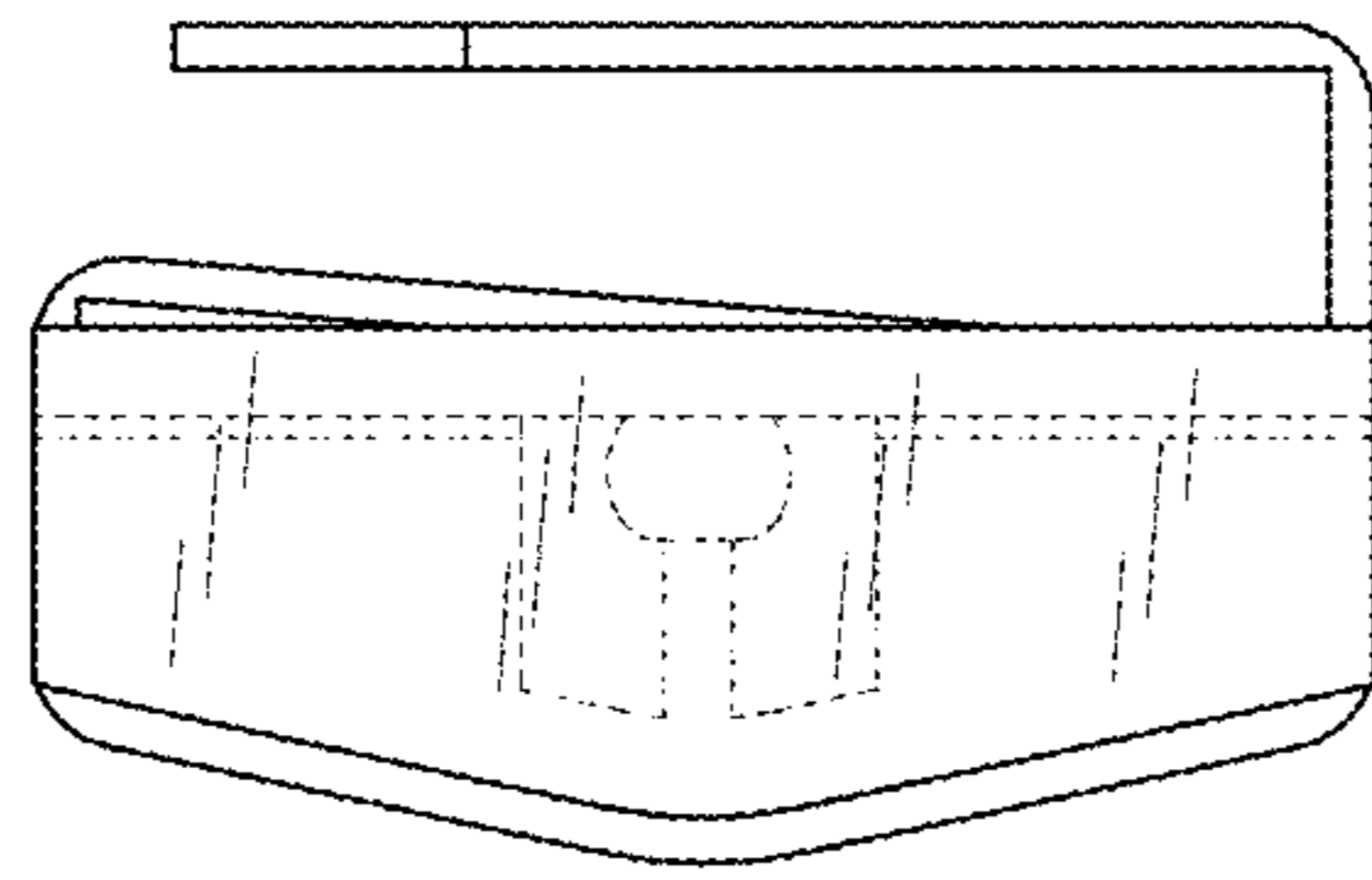


FIG. 7



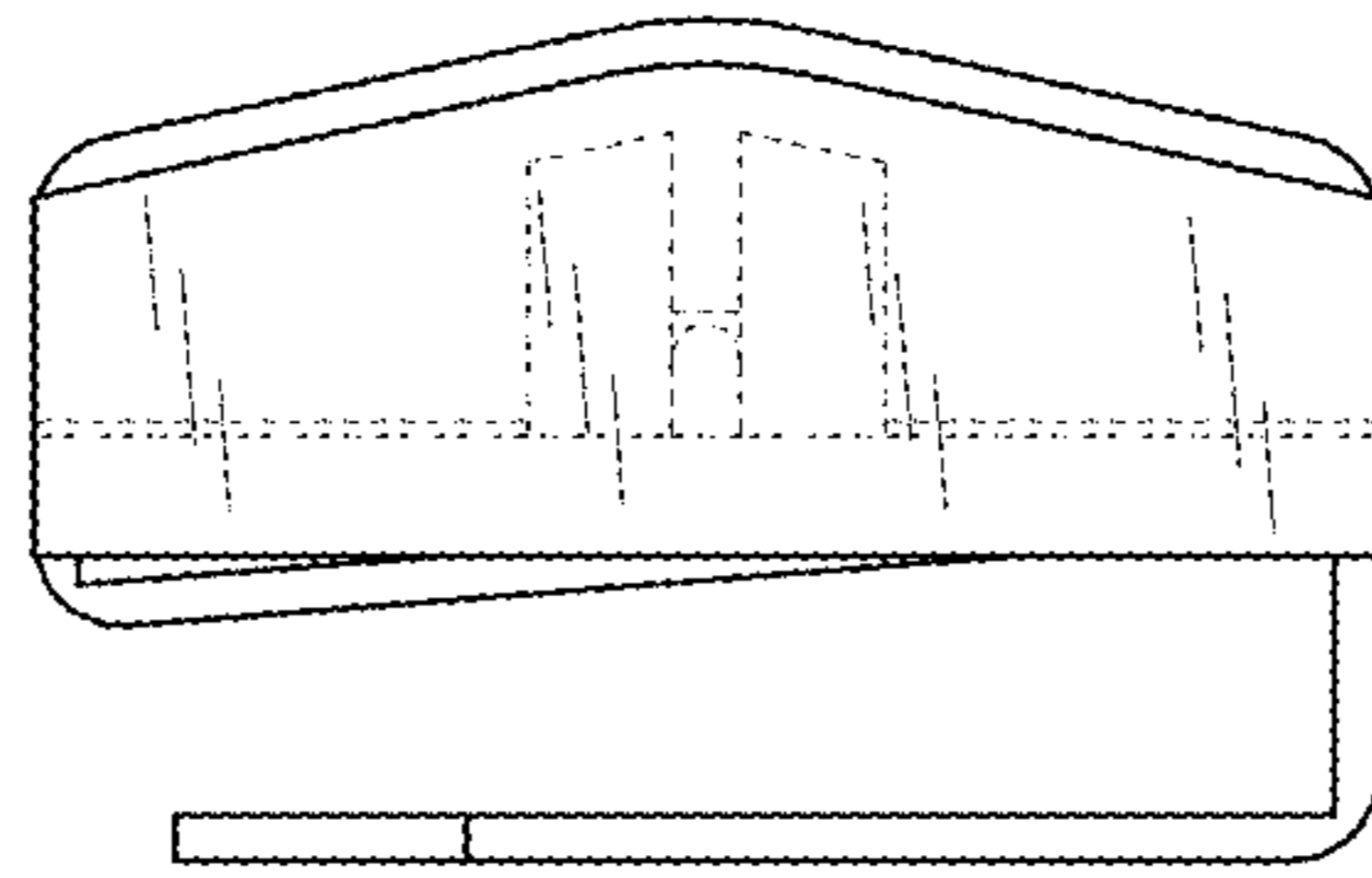


FIG. 8