



US00D952479S

(12) **United States Design Patent**
Tang

(10) **Patent No.:** **US D952,479 S**

(45) **Date of Patent:** **** May 24, 2022**

(54) **FOOD THERMOMETER**

D884,499 S * 5/2020 Yi G01K 1/02

D10/57

(71) Applicant: **Shenzhen Huazhu Habitat Technology Co., Ltd.**, Shenzhen (CN)

D906,140 S * 12/2020 Wang D10/57

D922,887 S * 6/2021 Zou D10/57

(72) Inventor: **Zhengjun Tang**, Shenzhen (CN)

* cited by examiner

(**) Term: **15 Years**

Primary Examiner — Antoine Duval Davis

(21) Appl. No.: **29/752,381**

(57) **CLAIM**

(22) Filed: **Sep. 27, 2020**

The ornamental design for a food thermometer, as shown and described.

(51) **LOC (13) Cl.** **10-04**

(52) **U.S. Cl.**

USPC **D10/57**

(58) **Field of Classification Search**

USPC D10/57

CPC G01K 2207/02; G01K 2207/04; G01K 2207/06; G01K 2207/08

See application file for complete search history.

DESCRIPTION

FIG. 1 is a first perspective view of a food thermometer showing my new design;

FIG. 2 is a second perspective view thereof;

FIG. 3 is a front view thereof;

FIG. 4 is a back view thereof;

FIG. 5 is a left side view thereof;

FIG. 6 is a right side view thereof;

FIG. 7 is a top view thereof; and,

FIG. 8 is a bottom view thereof.

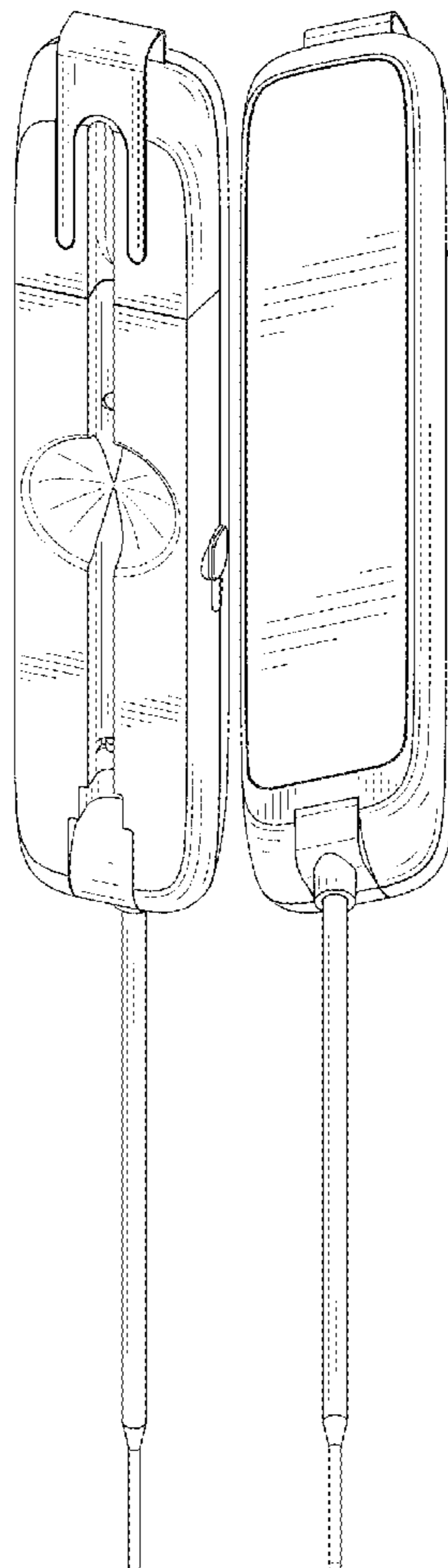
(56) **References Cited**

U.S. PATENT DOCUMENTS

7,711,515 B2 * 5/2010 Burdett G01K 1/02
702/136

10,288,491 B2 * 5/2019 Ganrude G01K 1/08

1 Claim, 8 Drawing Sheets



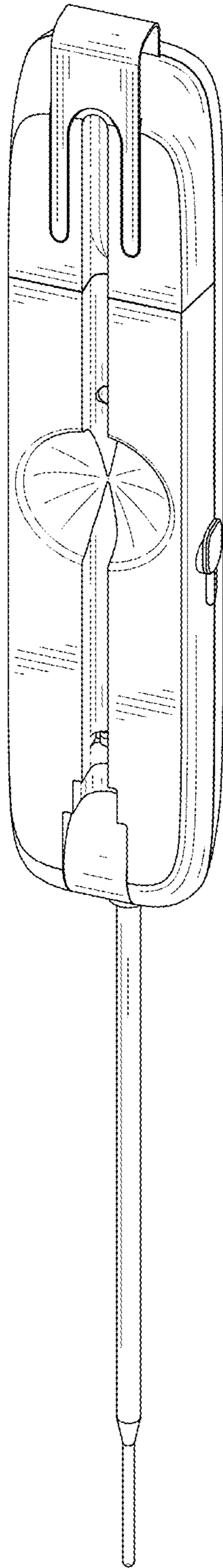


FIG. 1

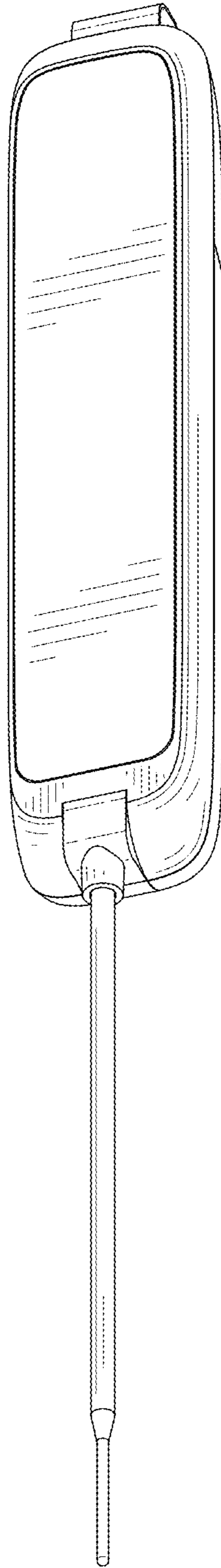


FIG. 2

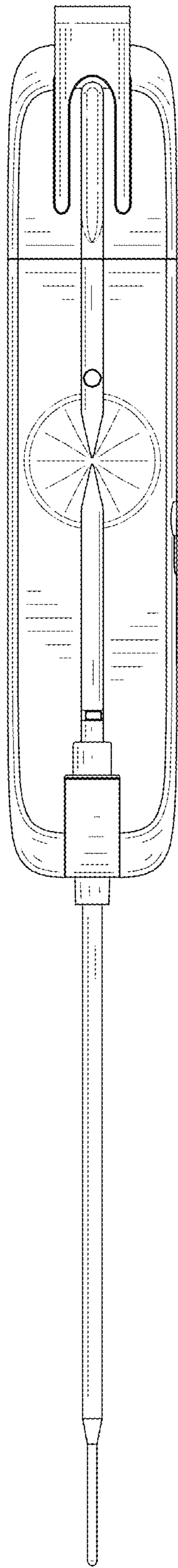


FIG. 3

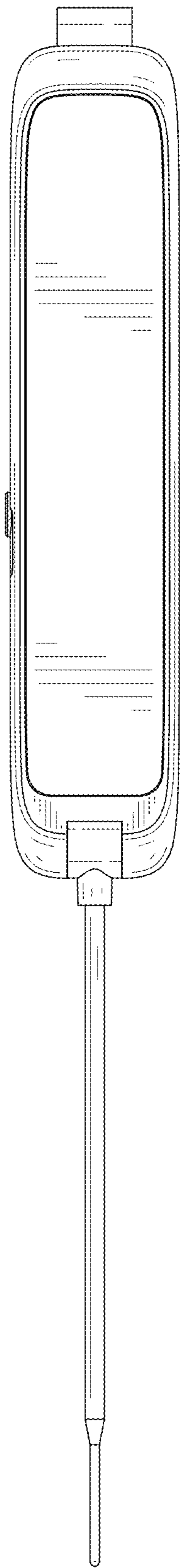


FIG. 4

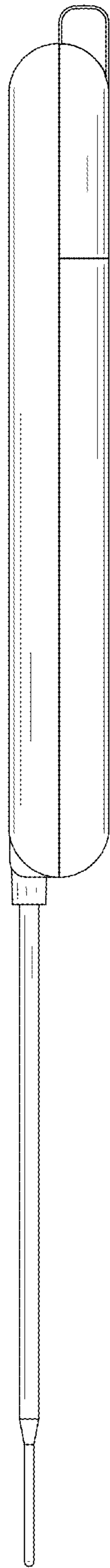


FIG. 5

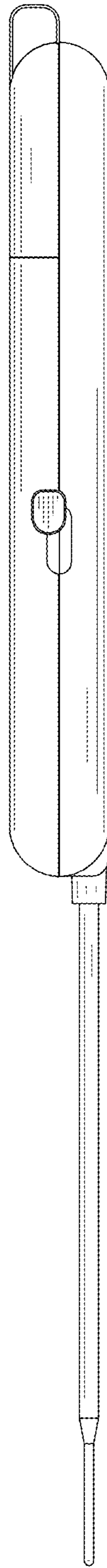


FIG. 6

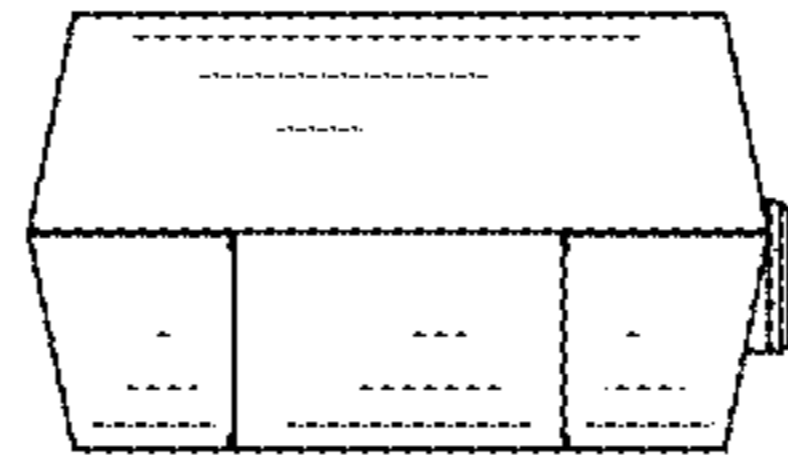


FIG. 7

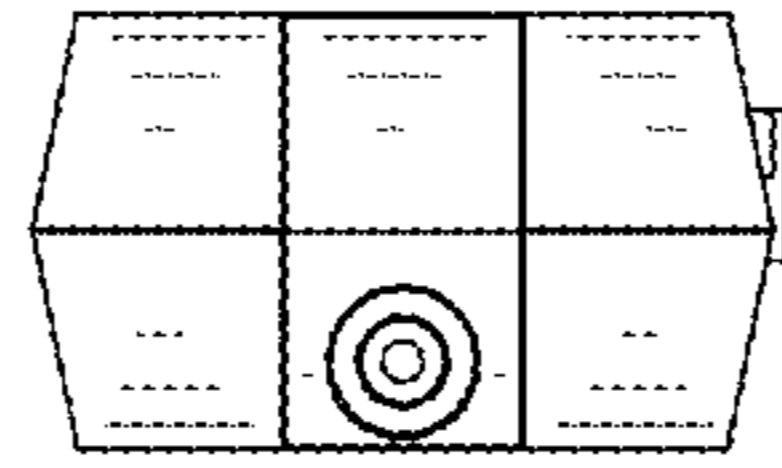


FIG. 8