



US00D952478S

(12) **United States Design Patent**  
**Feng**

(10) **Patent No.:** **US D952,478 S**

(45) **Date of Patent:** **\*\* May 24, 2022**

(54) **INFRARED ELECTRONIC THERMOMETER**

(56) **References Cited**

(71) Applicant: **Shenzhen Great Power Innovation and Technology Enterprise Co., Ltd.**,  
Shenzhen (CN)

U.S. PATENT DOCUMENTS

(72) Inventor: **Winston Feng**, Shenzhen (CN)

D617,216	S	*	6/2010	Guo	.....	D10/57
D617,217	S	*	6/2010	Houlihan	.....	D10/57
9,442,024	B2	*	9/2016	Shih	.....	G01J 5/047
D827,457	S	*	9/2018	Liu	.....	D10/57
D842,137	S	*	3/2019	Wang	.....	D10/57
D881,041	S	*	4/2020	Luo	.....	D10/57
D924,081	S	*	7/2021	Li	.....	G01J 5/047 D10/57

(73) Assignee: **SHENZHEN GREAT POWER INNOVATION AND TECHNOLOGY ENTERPRISE CO., LTD.**

FOREIGN PATENT DOCUMENTS

(\*\*) Term: **15 Years**

CN 111707380 A \* 9/2020 ..... G01J 5/12

(21) Appl. No.: **29/751,551**

\* cited by examiner

(22) Filed: **Sep. 22, 2020**

*Primary Examiner* — Antoine Duval Davis

(51) **LOC (13) Cl.** ..... **10-04**

(57) **CLAIM**

(52) **U.S. Cl.**  
USPC ..... **D10/57**

The ornamental design for an infrared electronic thermometer, as shown and described.

(58) **Field of Classification Search**  
USPC ..... D10/57

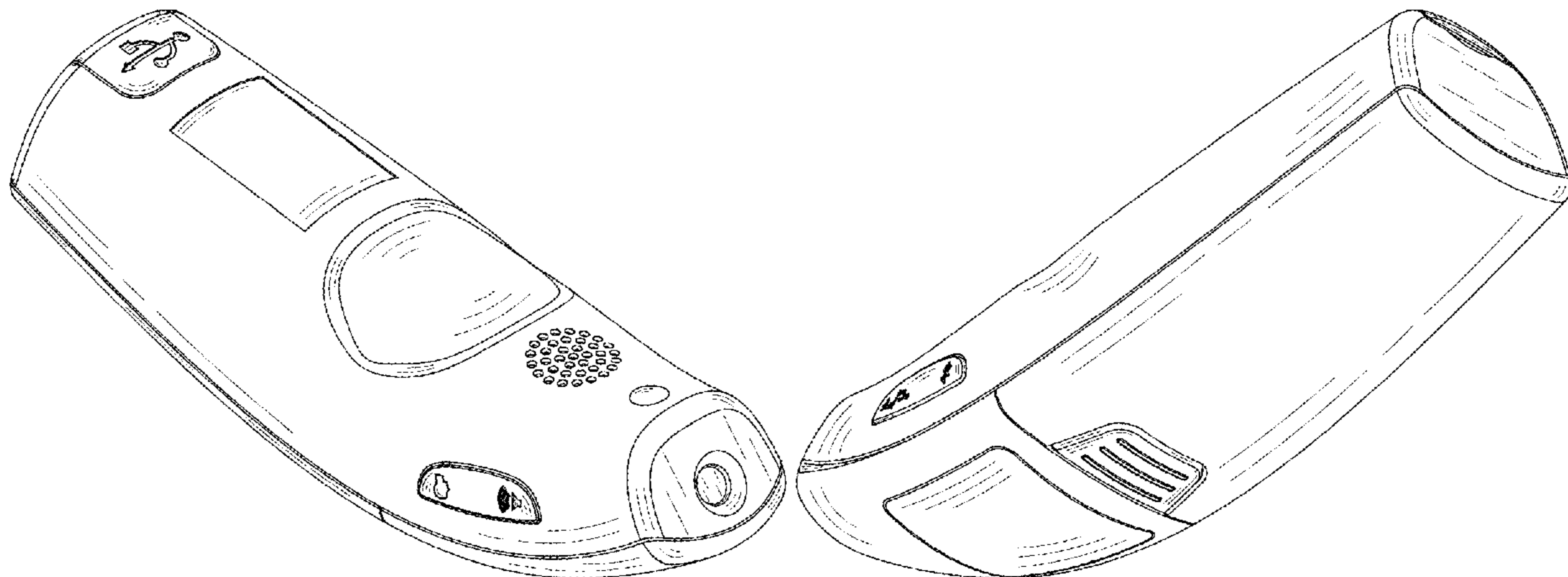
**DESCRIPTION**

CPC ..... G01K 1/02; G01K 1/022; G01K 1/024; G01K 1/08; G01K 1/083; G01K 1/086; G01K 3/00-14; G01K 2003/145; G01K 13/002; G01K 13/004; G01K 2219/00; G01K 5/04-225; G01K 5/22; G01K 221/00; G01K 1/18; G01J 5/04; G01J 5/041; G01J 5/042; G01J 5/043; G01J 5/044; G01J 5/045; G01J 5/046; G01J 5/047; G01J 5/048; G01J 5/049; G01J 5/0265

FIG. 1 is a front view of the infrared electronic thermometer showing my new design;  
FIG. 2 is a back view thereof;  
FIG. 3 is a left side view thereof;  
FIG. 4 is a right side view thereof;  
FIG. 5 is a top view thereof;  
FIG. 6 is a bottom view thereof;  
FIG. 7 is a perspective view thereof; and,  
FIG. 8 is another perspective view thereof.

See application file for complete search history.

**1 Claim, 8 Drawing Sheets**



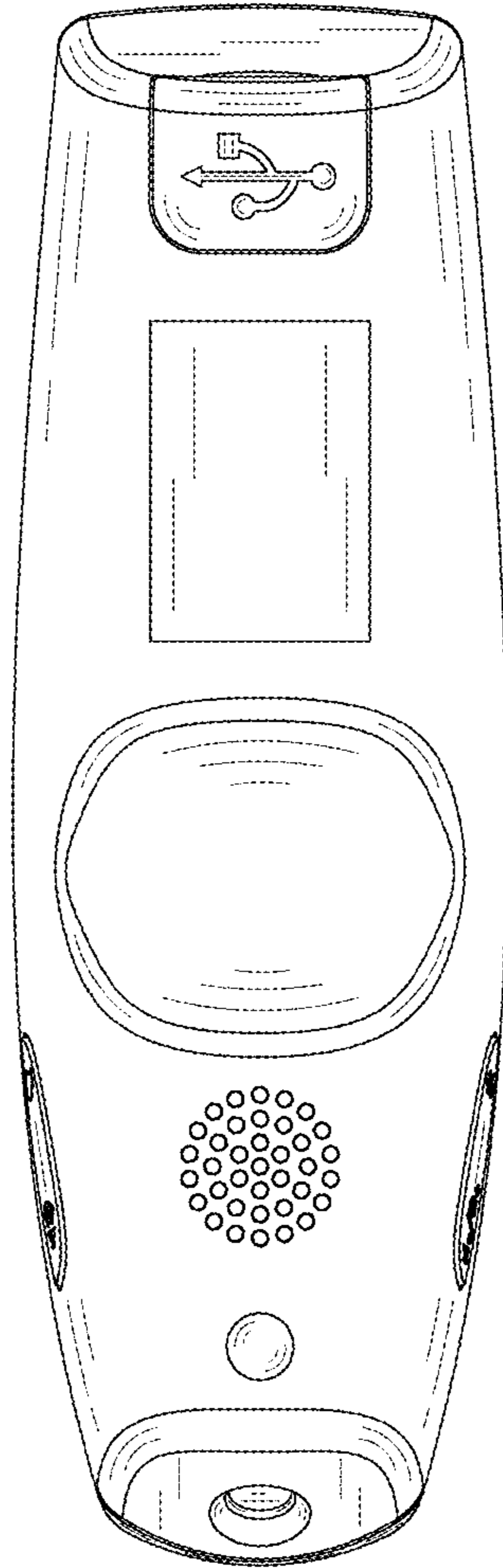


FIG. 1

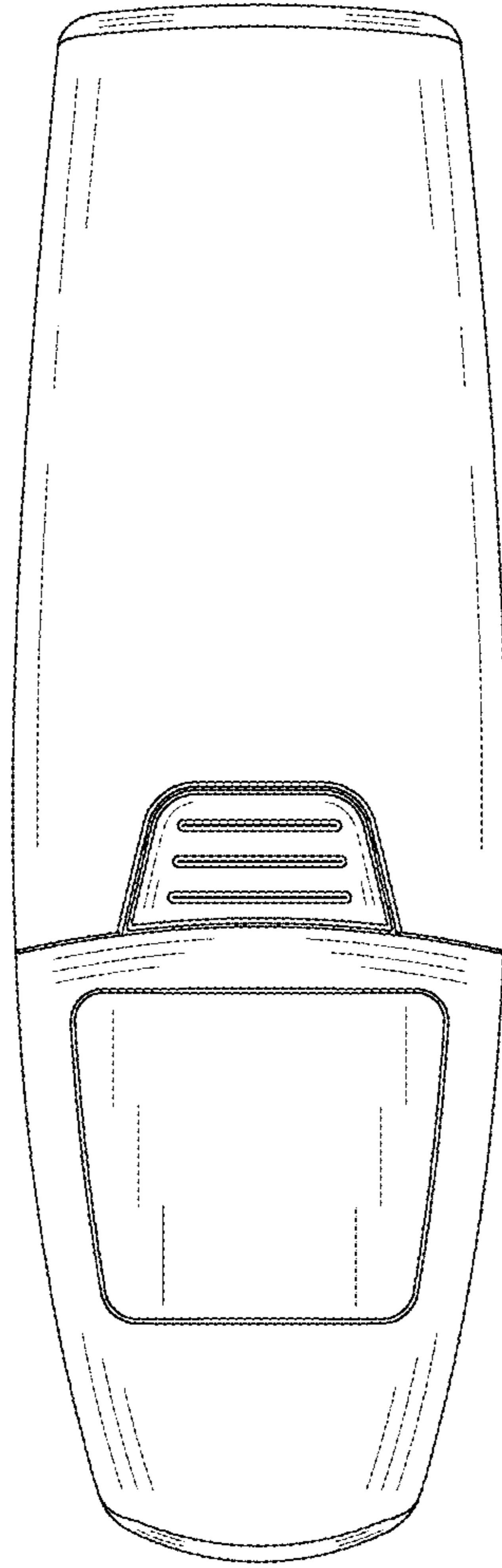


FIG. 2

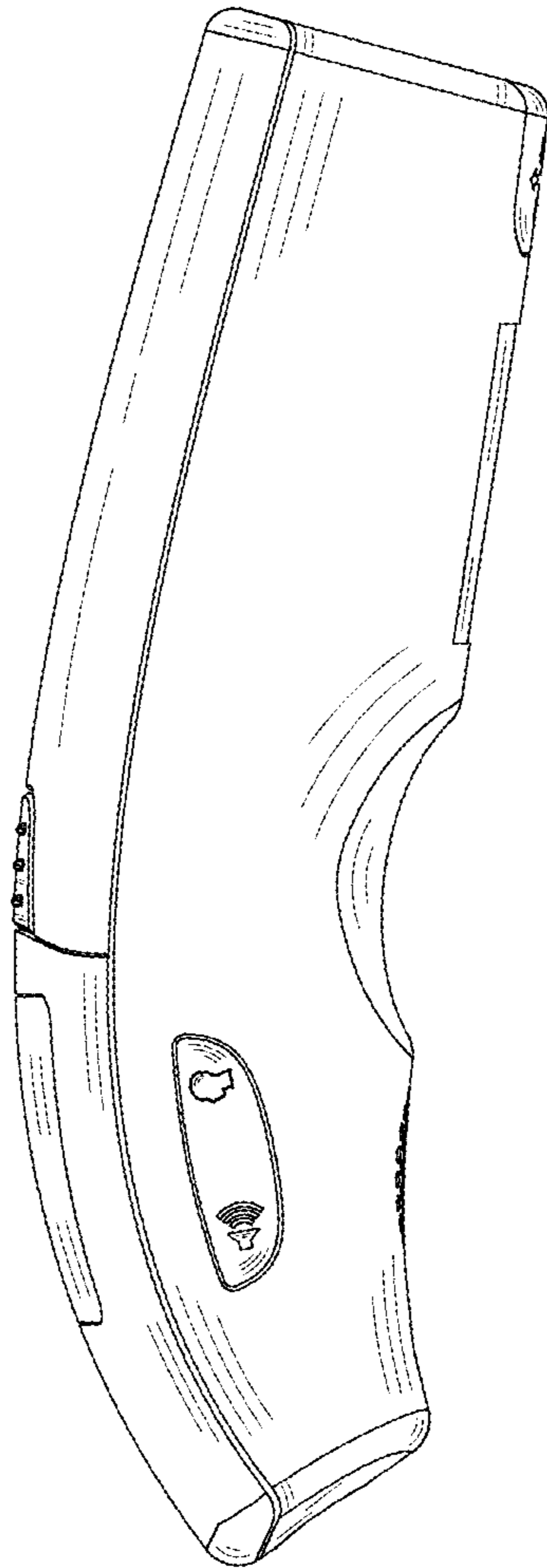


FIG. 3

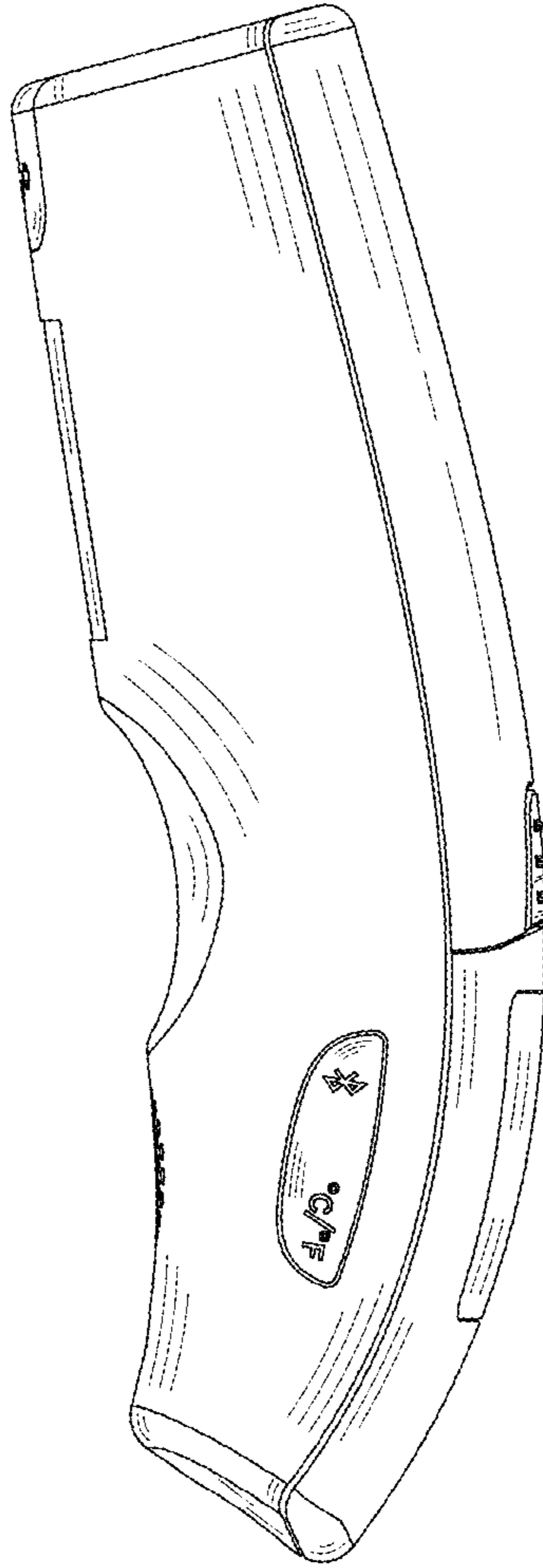


FIG. 4

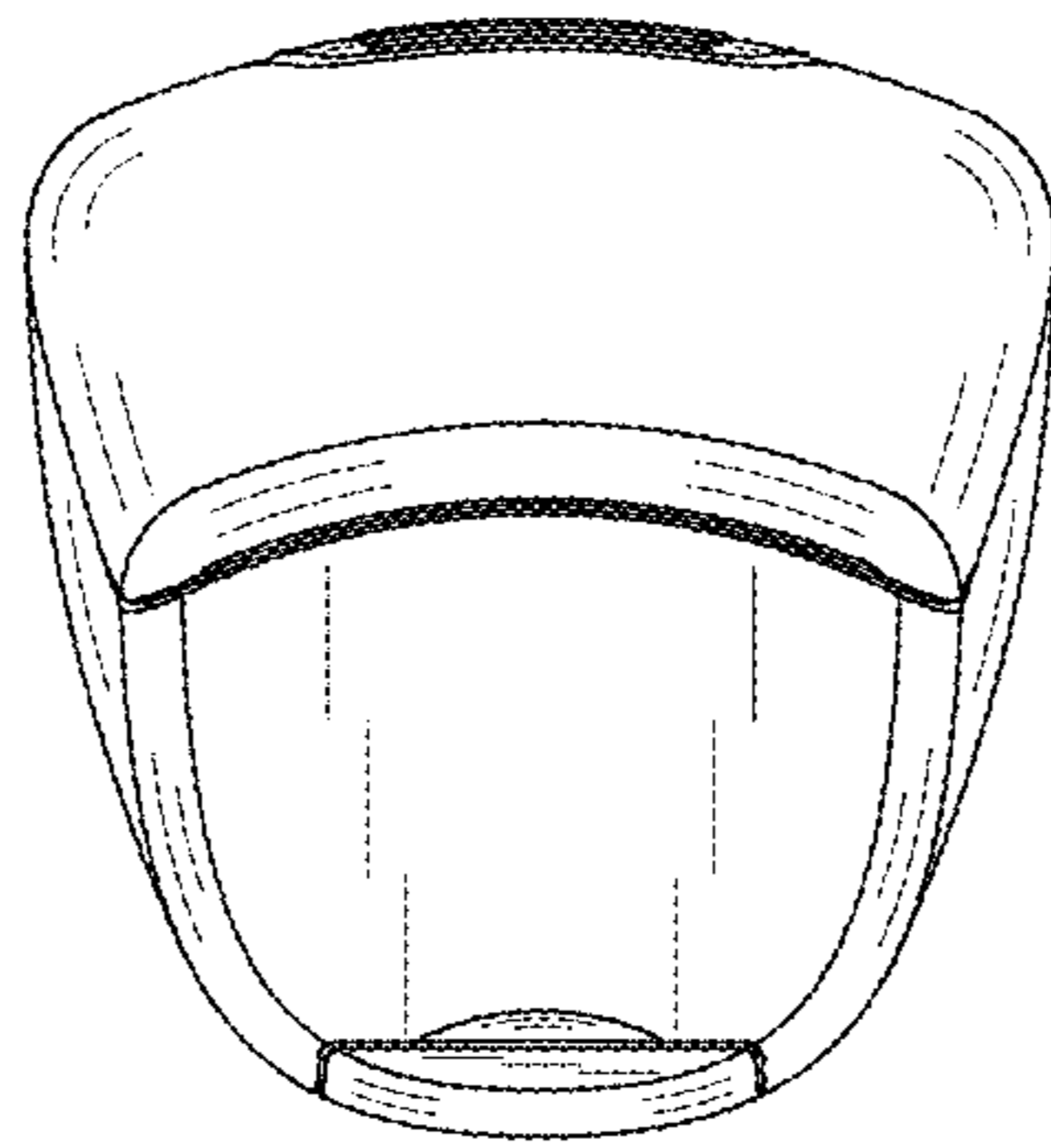


FIG. 5

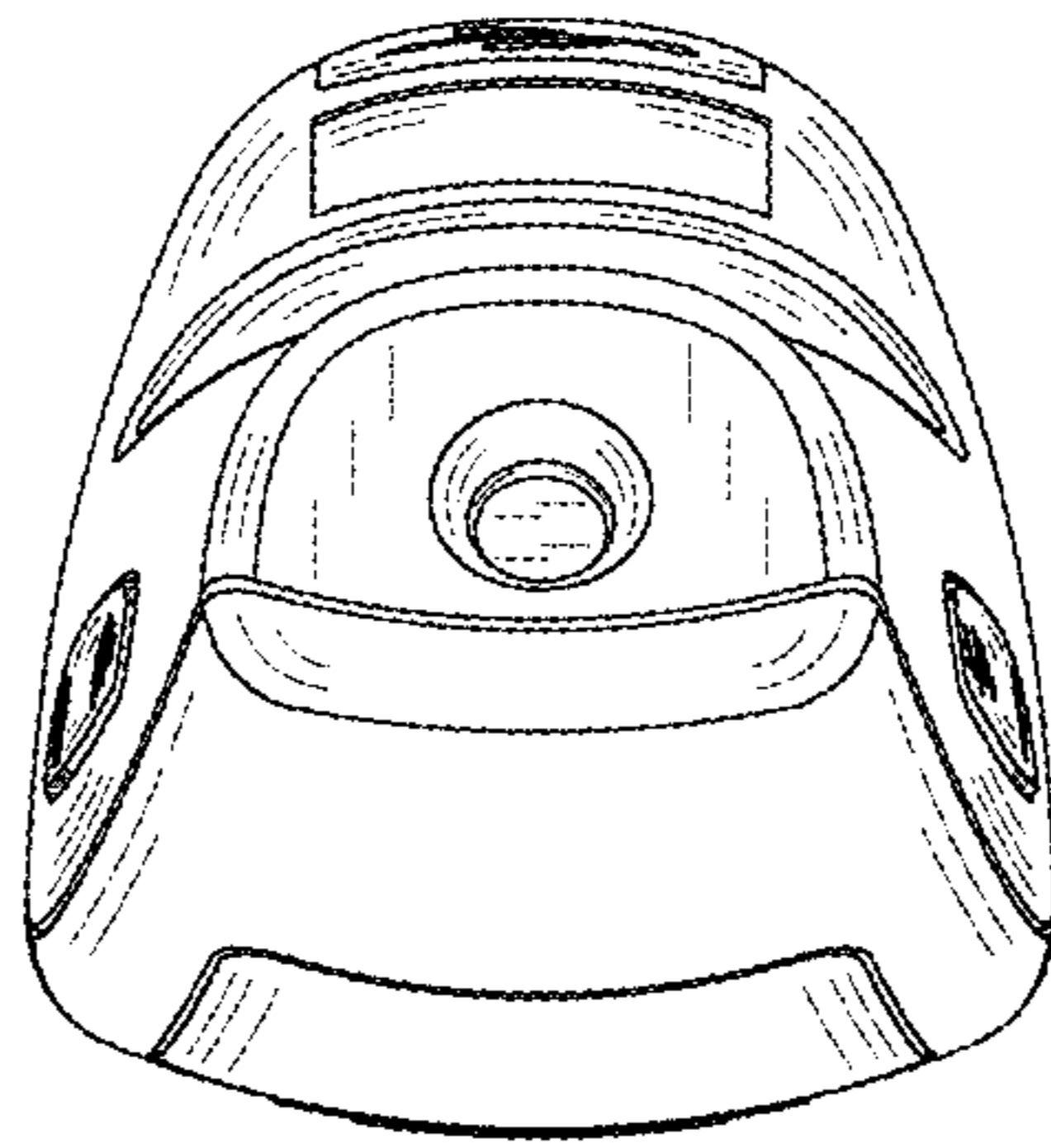


FIG. 6

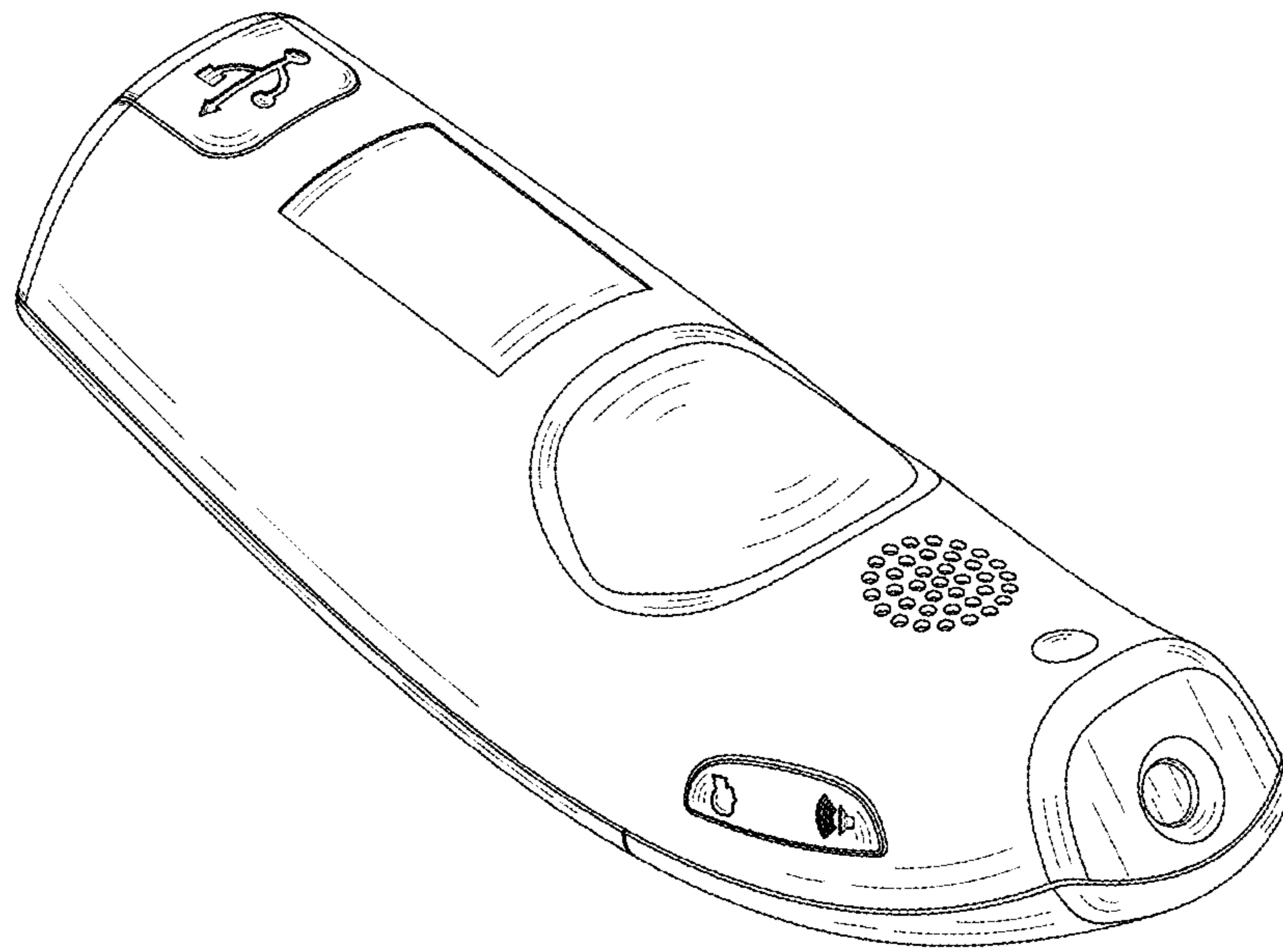


FIG. 7



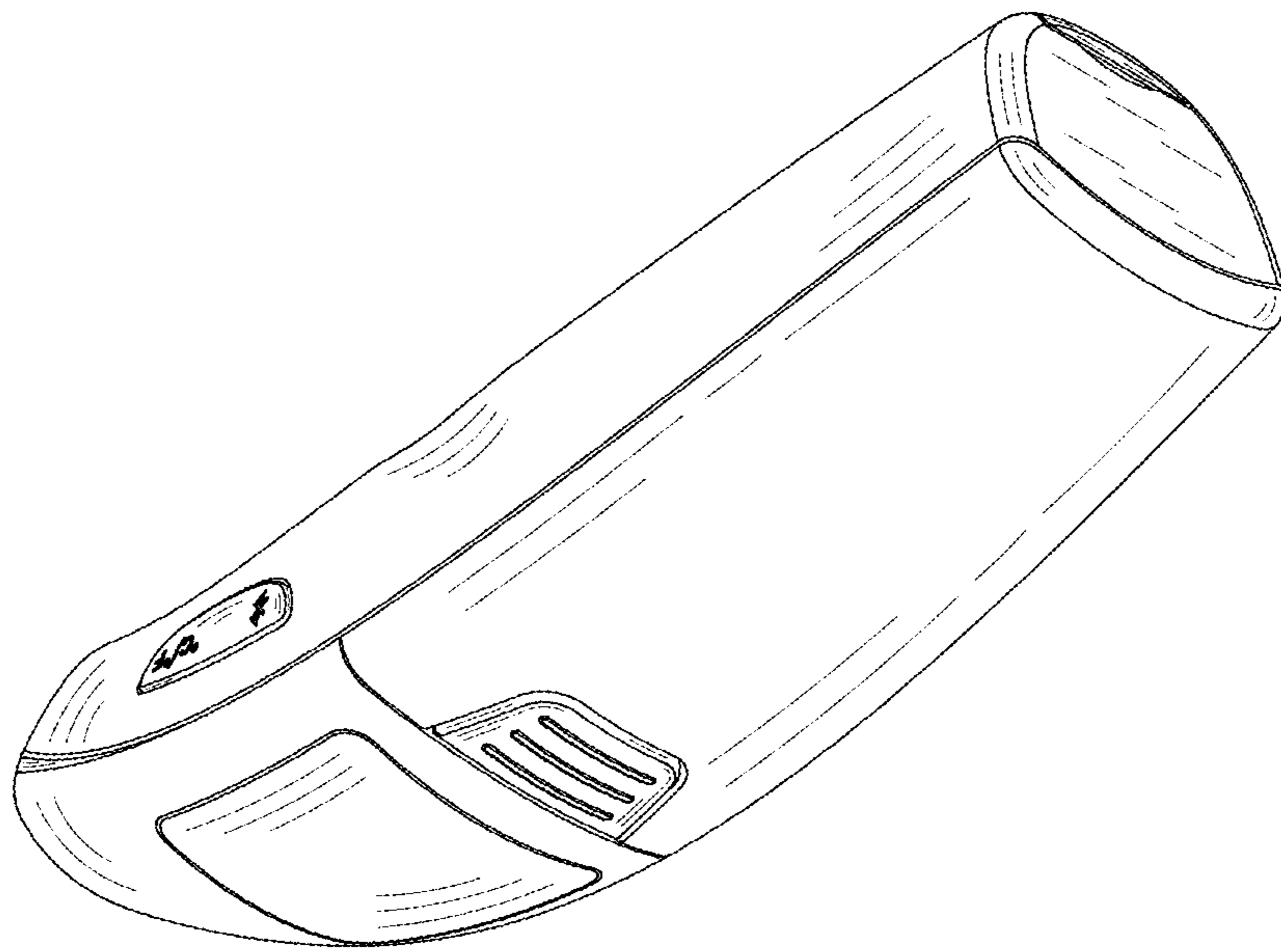


FIG. 8