



US00D952477S

(12) **United States Design Patent**  
**Gong et al.**

(10) **Patent No.:** **US D952,477 S**  
(45) **Date of Patent:** **\*\* May 24, 2022**

(54) **THERMO-HYGROMETER**

(71) Applicant: **Shenzhen Intellirocks Tech. Co., Ltd,**  
Shenzhen (CN)  
(72) Inventors: **Cheng Gong,** Shenzhen (CN); **Tong Li,**  
Shenzhen (CN); **Wenlong Wu,**  
Shenzhen (CN)  
(73) Assignee: **Shenzhen Intellirocks Tech. Co., Ltd,**  
Shenzhen (CN)

(\*\*) Term: **15 Years**

(21) Appl. No.: **29/735,797**

(22) Filed: **May 25, 2020**

(51) **LOC (13) Cl.** ..... **10-05**

(52) **U.S. Cl.**  
USPC ..... **D10/56; D10/52**

(58) **Field of Classification Search**  
USPC ..... D10/81, 103, 49-60, 106.95, 106.1,  
D10/104.1, 106.2, 106.3, 106.4;  
D14/217, 434, 218.138 G; D13/168;  
D23/346  
CPC ..... G08B 5/36; G08B 21/182; G08B 25/14;  
G08B 17/00; G08B 3/10; G08B 3/00;  
H05K 1/181; H05K 5/0017; H05K  
2201/10106; H05K 2201/10128; H05K  
7/1401; H05K 7/14; F24F 11/30; F24F  
11/523; F24F 11/49; F24F 2110/10; F24F  
11/88; F24F 3/16; F24F 2110/40; G05D  
23/19; H02G 3/10; H02G 3/14; B60H  
1/00364; B60H 1/00771; B60H 1/00964;  
A62C 37/36; H04M 19/04; H04M  
11/025; H04M 1/0291; H04M 11/02;  
H04M 1/72527; H04M 2250/12; H04M  
1/72409; G01W 1/02;

(Continued)

(56) **References Cited**

**U.S. PATENT DOCUMENTS**

D537,817 S \* 3/2007 Andre ..... D14/314  
D596,626 S \* 7/2009 Andre ..... D14/240

(Continued)

**FOREIGN PATENT DOCUMENTS**

CN 305593602 \* 7/2019  
CN 305602419 \* 7/2019

(Continued)

**OTHER PUBLICATIONS**

Zen Within, Thermostat, Date first available Jul. 20, 2015,  
[online]retrieved Aug. 4, 2021, available from [https://www.amazon.com/dp/B00XCVV8CS/ref=sspa\\_dk\\_detail\\_2?psc=1&pd\\_rd\\_i=B00XCVV8CS&pd\\_rd\\_w=KqWVT&pf\\_rd\\_p=5d846283-ed3e-4512-a744-a30f97c5d738&pd\\_rd\\_wg=fZz9D&pf\\_rd\\_r=A032BP81GJ10XYPSZWTG&pd\\_rd\\_r=21e476.\\*](https://www.amazon.com/dp/B00XCVV8CS/ref=sspa_dk_detail_2?psc=1&pd_rd_i=B00XCVV8CS&pd_rd_w=KqWVT&pf_rd_p=5d846283-ed3e-4512-a744-a30f97c5d738&pd_rd_wg=fZz9D&pf_rd_r=A032BP81GJ10XYPSZWTG&pd_rd_r=21e476.*)

(Continued)

*Primary Examiner* — Keli L Hill

*Assistant Examiner* — Sara S Sahneh

(74) *Attorney, Agent, or Firm* — W&G Law Group

(57) **CLAIM**

The ornamental design for a thermo-hygrometer, as shown and described.

**DESCRIPTION**

FIG. 1 is a first perspective view of a thermo-hygrometer showing the new design;  
FIG. 2 is a second perspective view of the thermo-hygrometer showing the new design;  
FIG. 3 is a front view thereof;  
FIG. 4 is a rear view thereof;  
FIG. 5 is a left view thereof;  
FIG. 6 is a right view thereof;

(Continued)

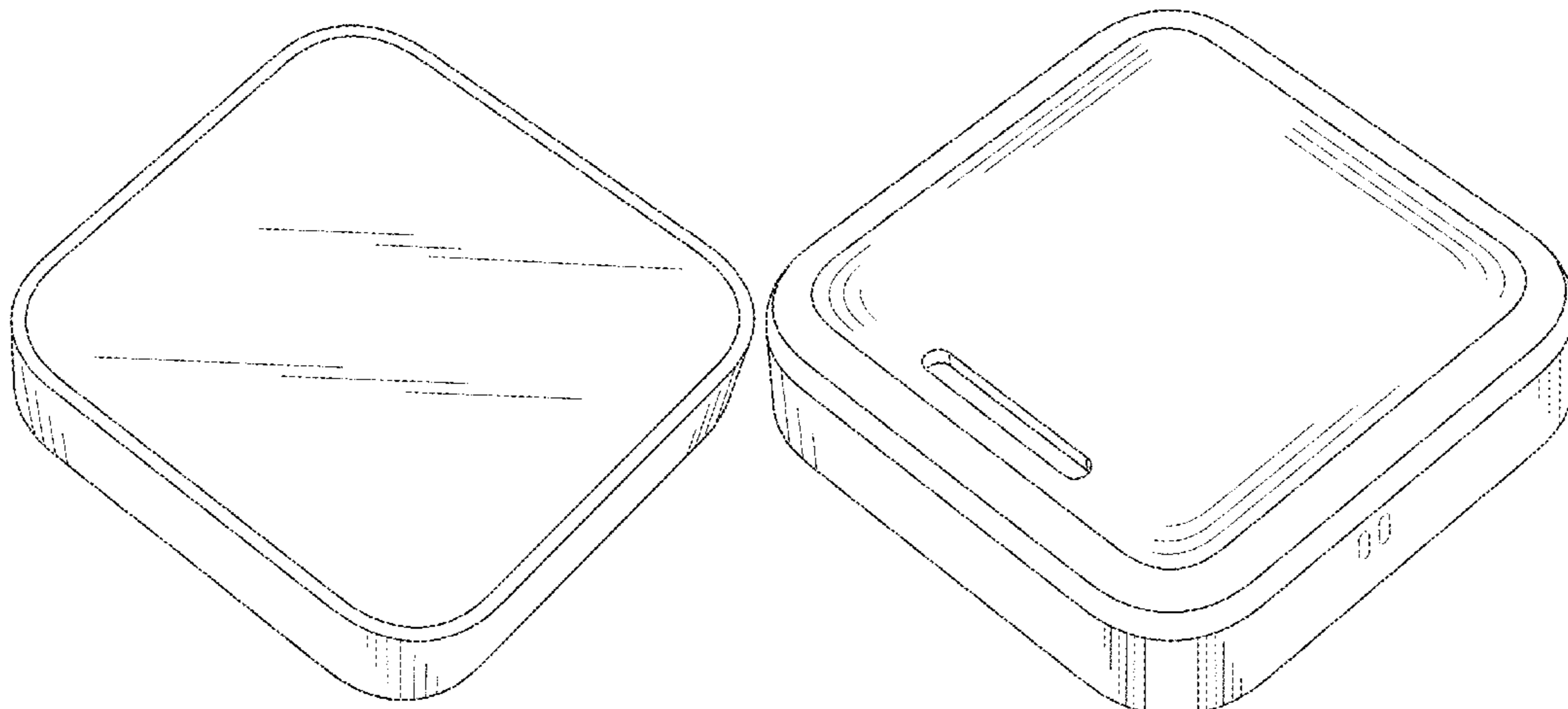


FIG. 7 is a top view thereof;  
 FIG. 8 is a bottom view thereof; and,  
 FIG. 9 is a perspective view of the thermo-hygrometer in use with a support.  
 The broken lines in the drawings show portions of the thermo-hygrometer which form no part of the claimed design.

**1 Claim, 9 Drawing Sheets**

(58) **Field of Classification Search**

CPC ..... G01W 1/00; G01J 5/0846; G01J 5/0265;  
 G01J 5/0896; G01J 5/04; G01J 2005/068;  
 B01D 46/0086; B01D 46/42; B01D  
 2279/50; B01D 46/00; B01D 46/44;  
 G01N 25/00; G01N 33/0036; G01N  
 33/007; G01N 33/0032

See application file for complete search history.

(56) **References Cited**

U.S. PATENT DOCUMENTS

D648,298	S	*	11/2011	Pierce	.....	D14/138	G
D693,248	S	*	11/2013	Anderssen	.....	D10/65	
D710,824	S	*	8/2014	Mackiewicz	.....	D14/214	
D758,346	S	*	6/2016	DiTullo	.....	D14/214	
D764,419	S	*	8/2016	Kashimoto	.....	D13/168	
D765,073	S	*	8/2016	Niizawa	.....	D14/356	
D765,140	S	*	8/2016	Peng	.....	D14/496	
D766,218	S	*	9/2016	Yang	.....	D14/218	
D797,099	S	*	9/2017	Wieser	.....	D14/358	
D801,288	S	*	10/2017	Kim	.....	D13/168	
D802,450	S	*	11/2017	Boynton	.....	D10/50	
D828,816	S	*	9/2018	Spors	.....	D13/162	
D840,251	S	*	2/2019	Choi	.....	D10/52	
D854,018	S	*	7/2019	Liao	.....	D14/434	

D859,415	S	*	9/2019	Liao	.....	D14/434	
D864,145	S	*	10/2019	Zhang	.....	D14/155	
D871,328	S	*	12/2019	Yang	.....	D13/108	
D871,933	S	*	1/2020	Zhang	.....	D10/50	
D874,437	S	*	2/2020	Iwahori	.....	D14/217	
D879,150	S	*	3/2020	Kusano	.....	D14/496	
D886,812	S	*	6/2020	Jung	.....	D14/240	
D912,621	S	*	3/2021	Qiu	.....	D13/108	
D921,499	S	*	6/2021	Konotopskyi	.....	D10/56	
D926,728	S	*	8/2021	He	.....	D14/214	

FOREIGN PATENT DOCUMENTS

CN	306372855	*	9/2019		
CN	306400389	*	6/2020		
CN	306678026	*	10/2020		
CN	306195894	*	11/2020		

OTHER PUBLICATIONS

Temtop Store,P10 Air Quality Monitor,Date first available Apr. 22, 2019, [online]retrieved Sep. 8, 2021,available from [https://www.amazon.com/Temtop-P10-Professional-Particle-Rechargeable/dp/B07QVKBS66/ref=sr\\_1\\_1\\_sspa?dchild=1&keywords=Xiaomi+Mi+PM2.5+Detector+White&qid=1631105433&sr=8-1-spons&psc=1](https://www.amazon.com/Temtop-P10-Professional-Particle-Rechargeable/dp/B07QVKBS66/ref=sr_1_1_sspa?dchild=1&keywords=Xiaomi+Mi+PM2.5+Detector+White&qid=1631105433&sr=8-1-spons&psc=1) (Year: 2019).\*

S Chengjin,Air Quality Monitor Indoor, Date first available Dec. 7, 2020, [online]retrieved Sep. 8, 2021,available from [https://www.amazon.com/Formaldehyde-Temperature-Professional-Emoticons-Occasions/dp/B08PVG78K5/ref=pd\\_di\\_sccai\\_15/133-9953152-3452307?pd\\_rd\\_w=vBKuN&pf\\_rd\\_p=c9443270-b914-4430-a90b-72](https://www.amazon.com/Formaldehyde-Temperature-Professional-Emoticons-Occasions/dp/B08PVG78K5/ref=pd_di_sccai_15/133-9953152-3452307?pd_rd_w=vBKuN&pf_rd_p=c9443270-b914-4430-a90b-72) (Year: 2020).\*

Stellate Store,Smart Indoor Air Quality Monitor Detector,Date first available Mar. 25, 2020, [online]retrieved Sep. 8, 2021,available from [https://www.amazon.com/Stellate-Indoor-Quality-Monitor-Detector/dp/B087J2B2X7/ref=pd\\_di\\_sccai\\_27/133-9953152-3452307?pd\\_rd\\_w=13GdZ&pf\\_rd\\_p=c9443270-b914-4430-a90b-72e](https://www.amazon.com/Stellate-Indoor-Quality-Monitor-Detector/dp/B087J2B2X7/ref=pd_di_sccai_27/133-9953152-3452307?pd_rd_w=13GdZ&pf_rd_p=c9443270-b914-4430-a90b-72e) (Year: 2020).\*

\* cited by examiner

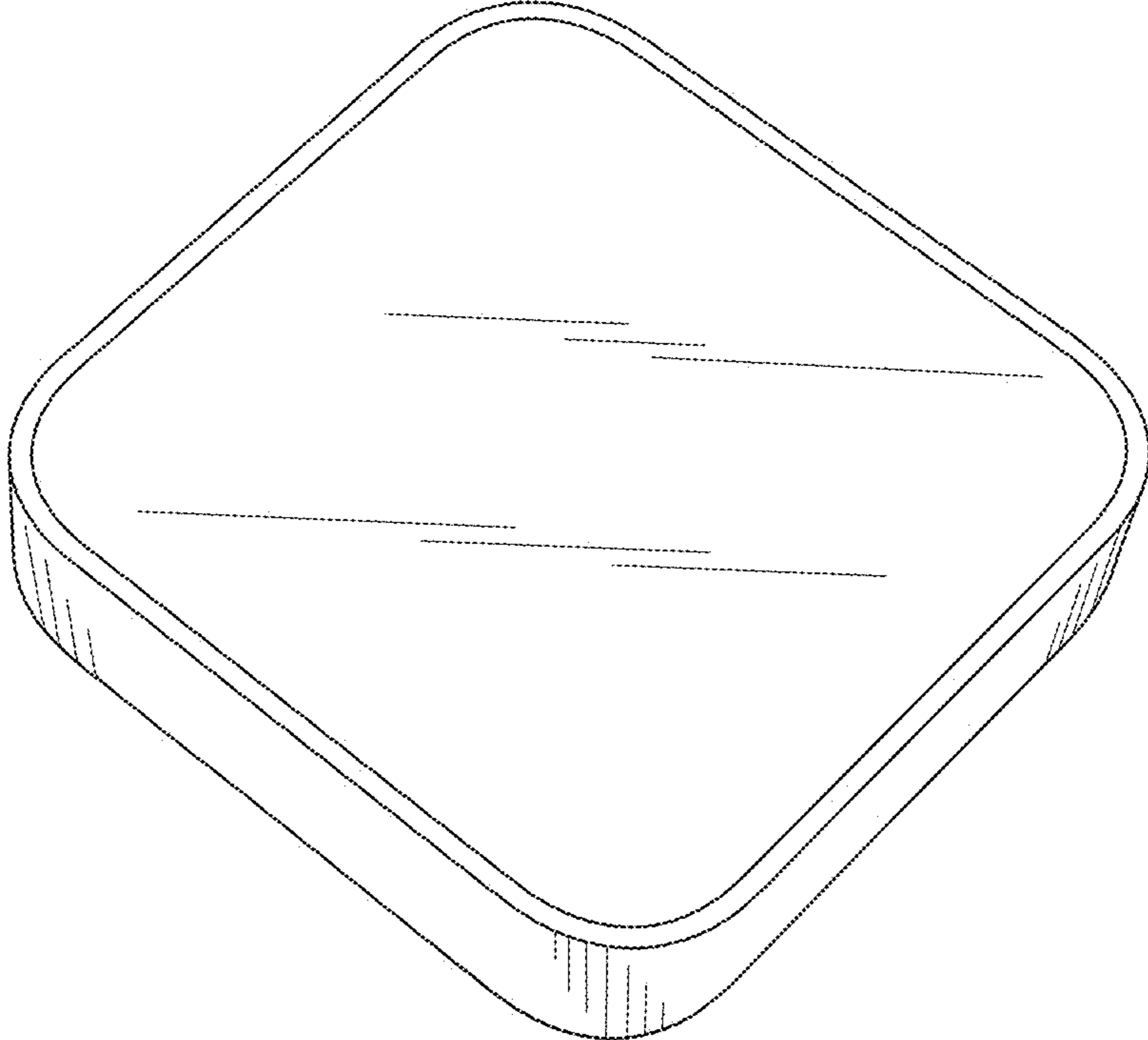


FIG. 1

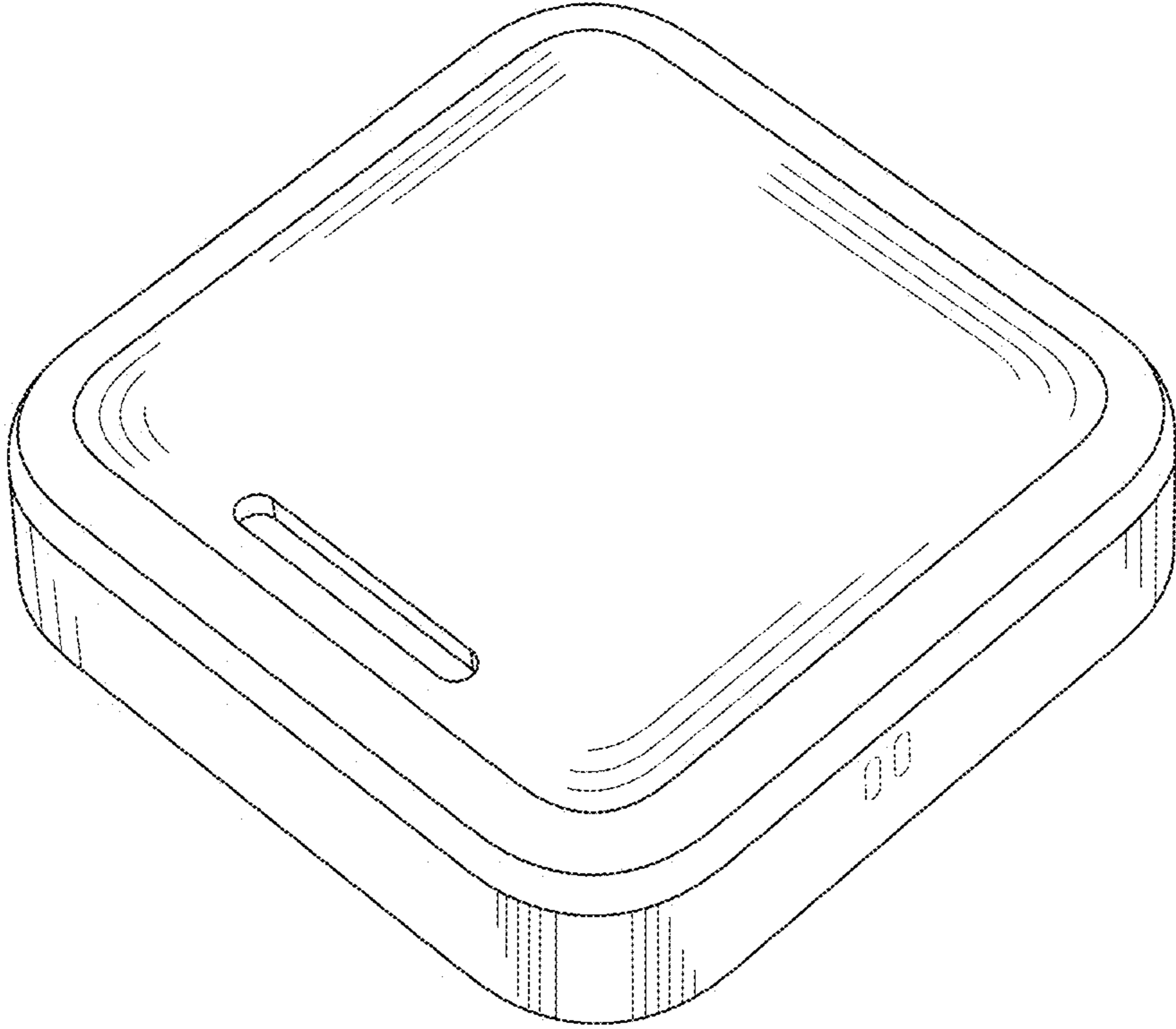


FIG. 2

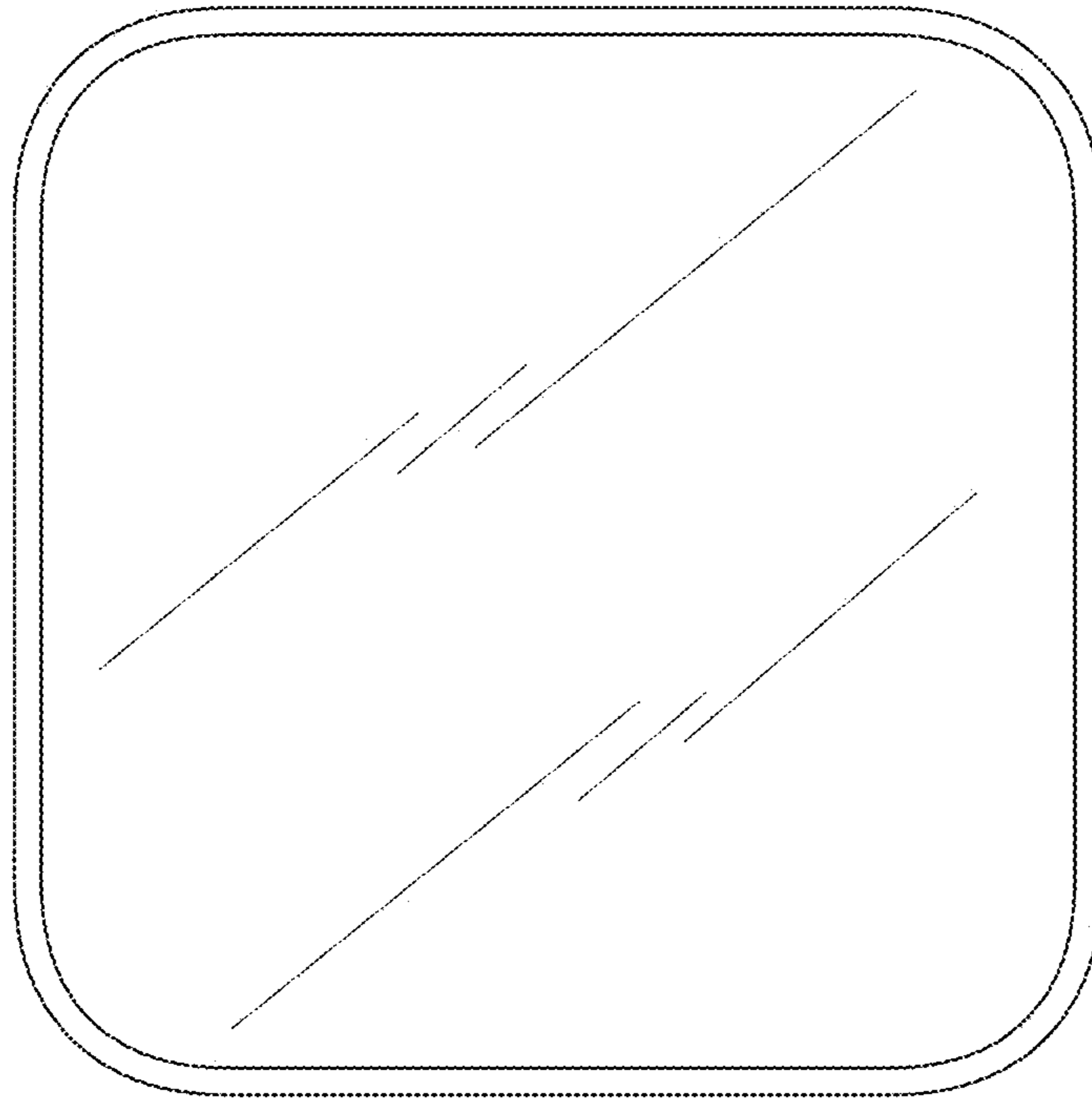


FIG. 3

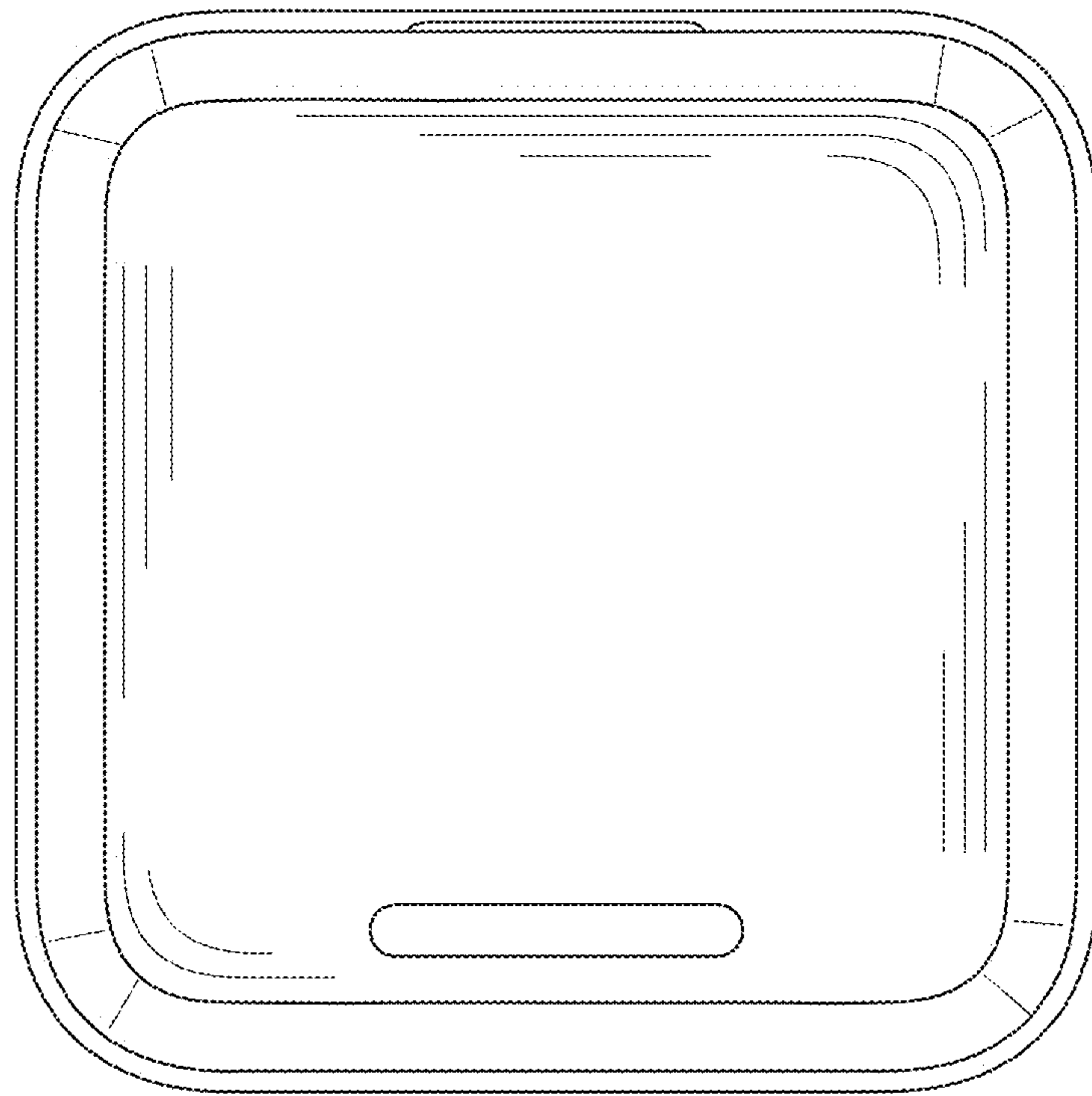


FIG. 4

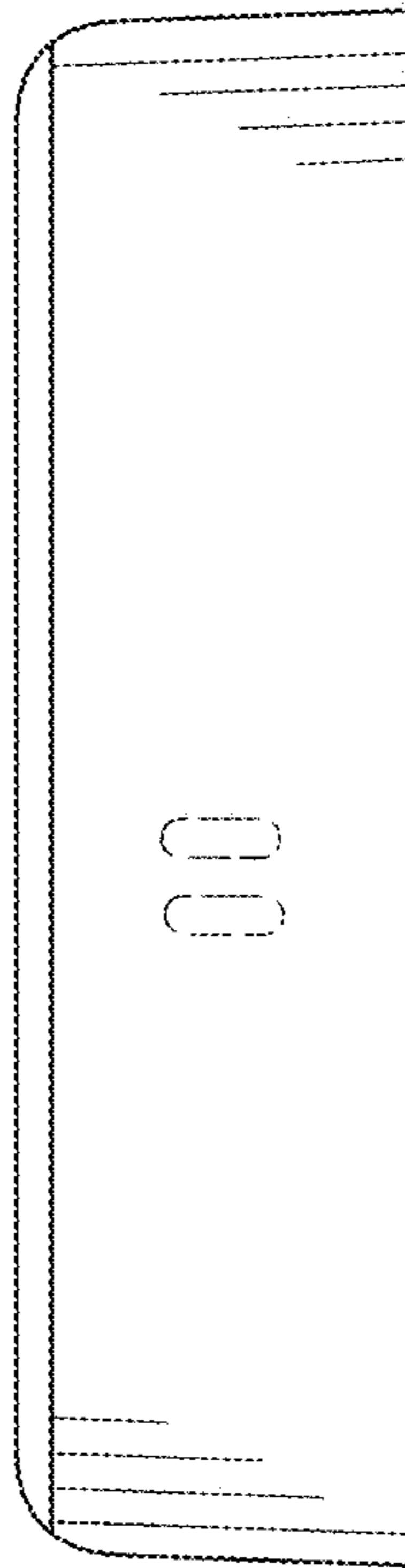


FIG. 5

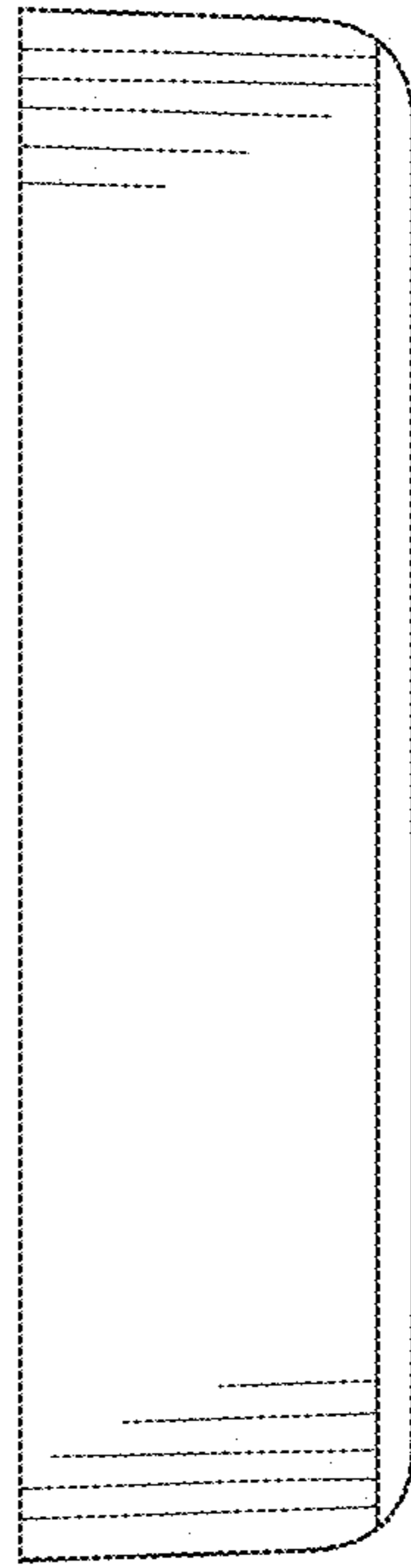


FIG. 6



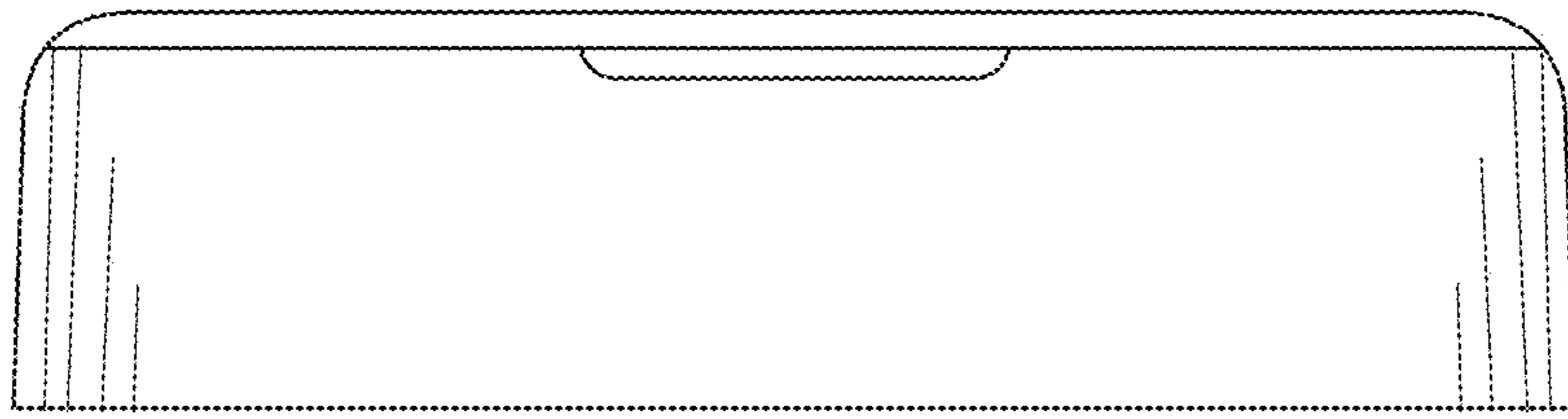


FIG. 7

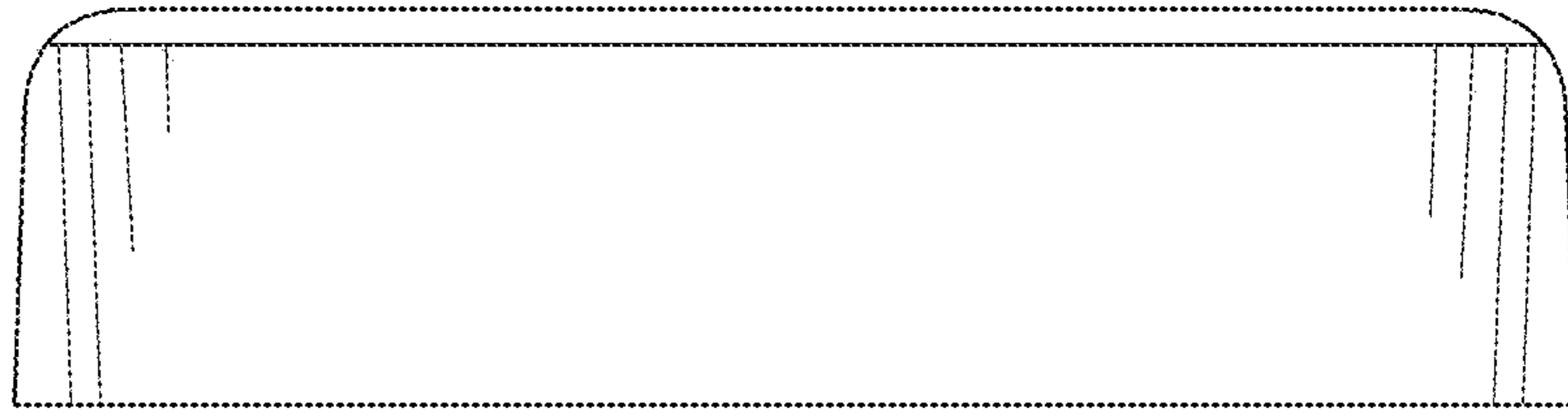


FIG. 8

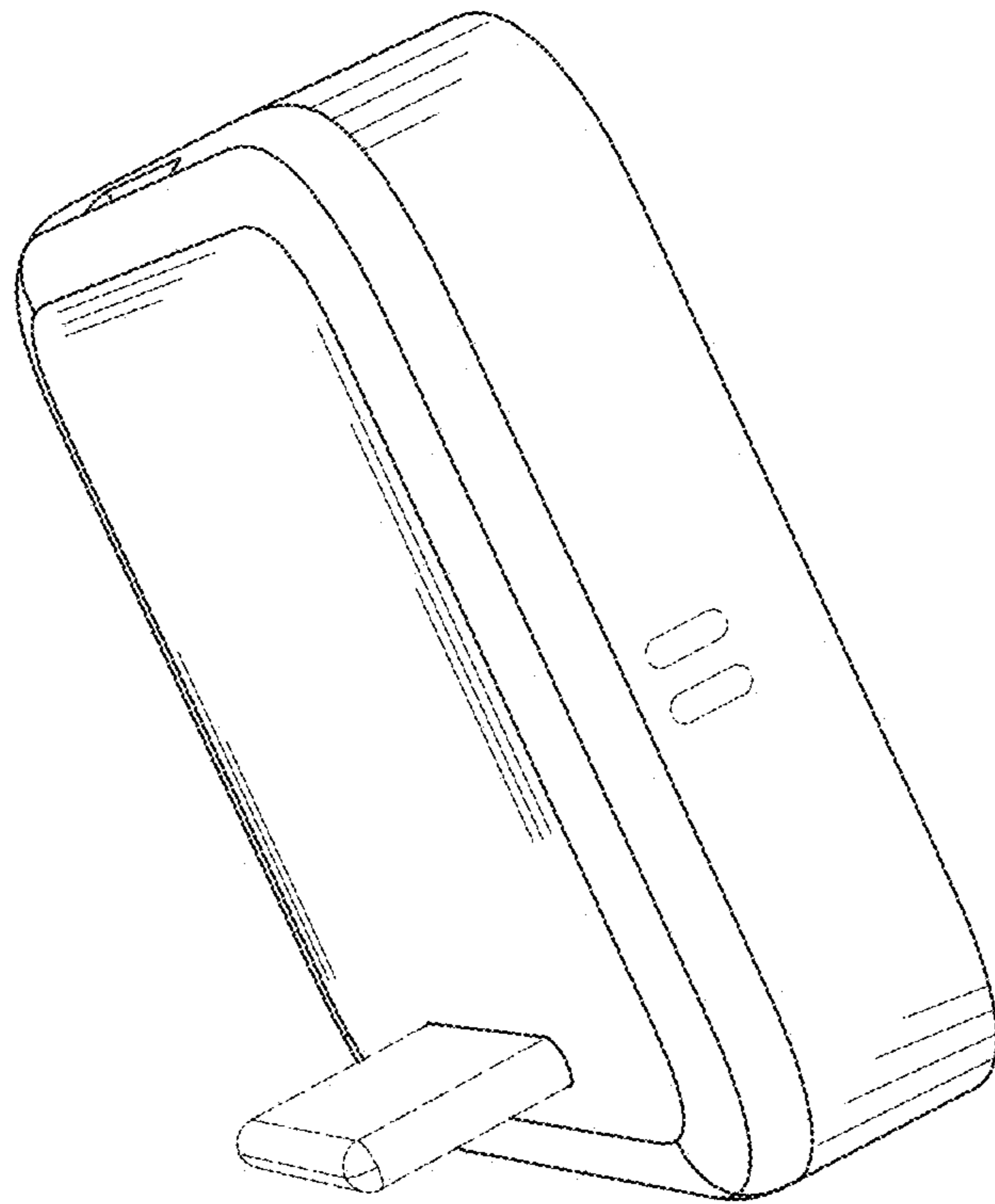


FIG. 9