



US00D952476S

(12) **United States Design Patent**  
**Jhun et al.**

(10) **Patent No.:** **US D952,476 S**  
(45) **Date of Patent:** **\*\* May 24, 2022**

(54) **THERMOSTAT**

(71) Applicant: **Crestron Electronics, Inc.**, Rockleigh, NJ (US)

(72) Inventors: **Sae Jhun**, Bayside, NY (US); **Stan Wisniewski**, Pompton Plains, NJ (US)

(73) Assignee: **Crestron Electronics, Inc.**, Rockleigh, NJ (US)

(\*\*) Term: **15 Years**

(21) Appl. No.: **29/751,947**

(22) Filed: **Sep. 24, 2020**

(51) **LOC (13) Cl.** ..... **10-04**

(52) **U.S. Cl.**  
USPC ..... **D10/50; D13/162**

(58) **Field of Classification Search**  
USPC ..... D10/49, 50, 103; D13/162, 168; D14/126, 336, 371, 374, 389  
CPC ..... B60C 23/0408; B60C 23/0494; G01L 7/00-7/24; G01L 7/043; G01L 13/00-13/06; G01L 15/00; G01L 17/00-17/005; G01L 19/00-19/16; G01L 23/00-23/32; G01L 27/00-23/02; G05D 16/00-16/2093; G05D 7/00-7/0694; G05D 11/00-11/16; G05D 13/00-13/66; G05D 23/00-23/32; G05D 23/275; G05D 23/1902; G05D 23/1904; G05D 23/27502; G05D 23/27503; G05D 23/1919; G05D 23/2723; F23N 5/20; F23N 5/203; F23N 5/206; F23N 5/18; F23N 5/184; F23N 5/187; F23N 5/22; F23N 2025/12; F23N 2041/02; F24F 11/00; F24F 11/0012; F24F 11/0009; F24F 11/001; F24F 2011/0057; F24F 2011/0073; F24F 2011/0091; F24F 2011/0094; F24F 2011/0068; F24F 2011/0012; F24F 2011/0015; F24F 2011/0017; F21V 11/16; F21V 33/10; G05B 19/042; G09F 13/22; G09F 9/53;

G06F 1/1684; G06F 1/30; G06F 3/0362; G06F 3/038; H05B 33/0854; H05B 37/0218; H05K 5/0017; H05K 5/0243; H05K 5/00; H05K 5/03; H04M 2250/12; H04M 2250/22

See application file for complete search history.

(56) **References Cited**

**U.S. PATENT DOCUMENTS**

D716,752 S	11/2014	Katori et al.	
D733,591 S *	7/2015	Golden .....	D10/50
D734,179 S	7/2015	Golden et al.	
D737,154 S	8/2015	Jacoby et al.	
D737,697 S	9/2015	Bhattacharya	
D738,756 S *	9/2015	Jiang .....	D10/50
D744,433 S *	12/2015	Baumgartner .....	D10/49
D750,981 S	3/2016	Jacoby et al.	
D769,829 S	10/2016	Jacoby et al.	
D770,393 S	11/2016	Jacoby et al.	

(Continued)

*Primary Examiner* — Antoine Duval Davis

(74) *Attorney, Agent, or Firm* — Crestron Electronics, Inc.

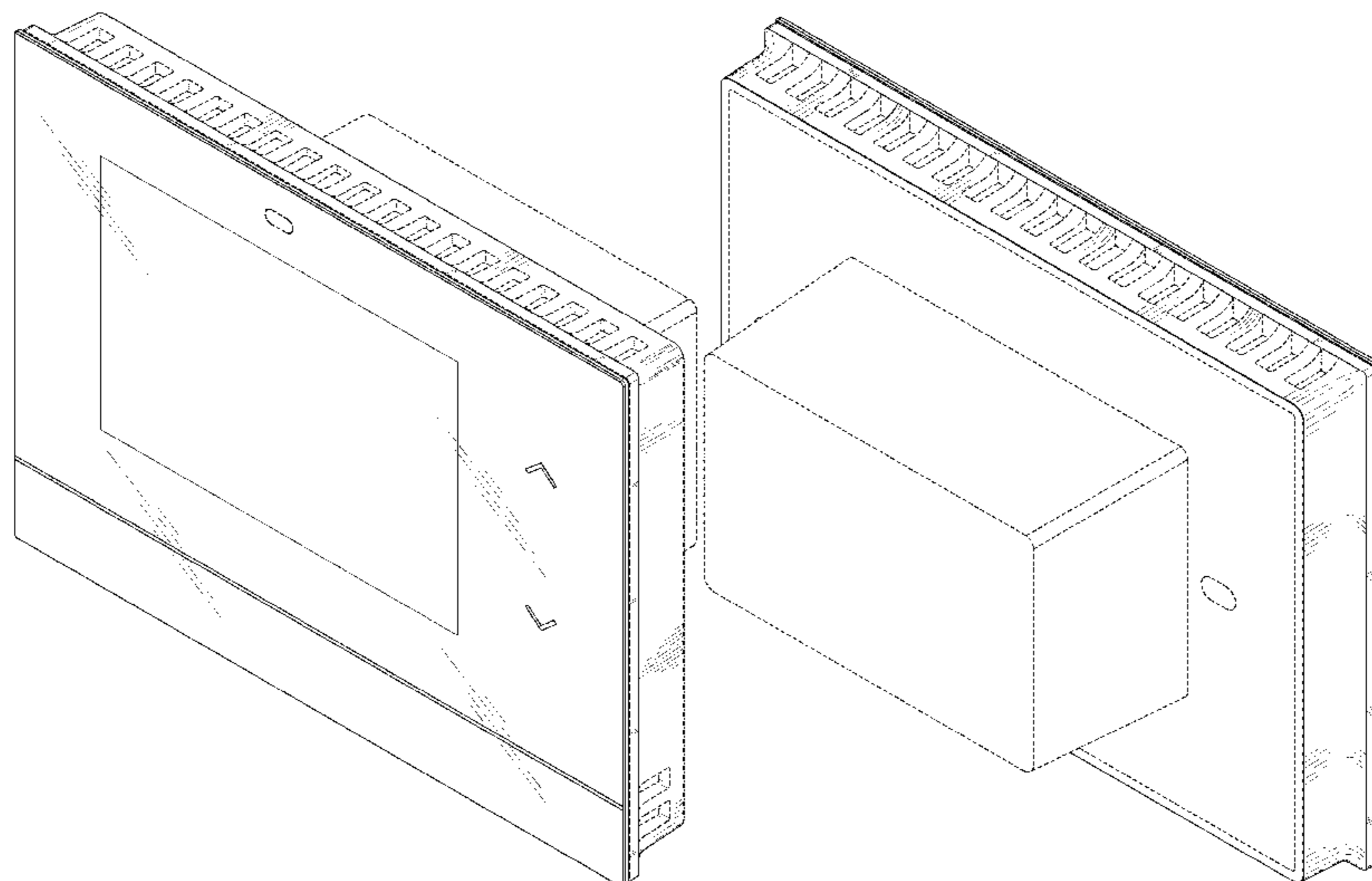
(57) **CLAIM**

The ornamental design for a thermostat, as shown and described.

**DESCRIPTION**

FIG. 1 shows a front perspective view of a thermostat. FIG. 2 shows a rear perspective view of the thermostat. FIG. 3 shows a front elevation view of the thermostat. FIG. 4 shows a right side view of the thermostat. FIG. 5 shows a left side view of the thermostat. FIG. 6 shows a top view of the thermostat. FIG. 7 shows a bottom view of the thermostat; and, FIG. 8 shows a rear elevation view of the thermostat. The broken line portion of the figure drawings is included to show unclaimed subject matter only and forms no part of the claimed design.

**1 Claim, 8 Drawing Sheets**



(56)

**References Cited**

U.S. PATENT DOCUMENTS

D775,975 S	1/2017	Jacoby et al.	
D775,976 S	1/2017	Jacoby et al.	
D784,168 S	4/2017	Jacoby et al.	
D874,950 S *	2/2020	Gentle .....	D10/50
D894,021 S *	8/2020	Smith .....	D10/50
D920,261 S *	5/2021	Isshiki .....	D10/50

\* cited by examiner

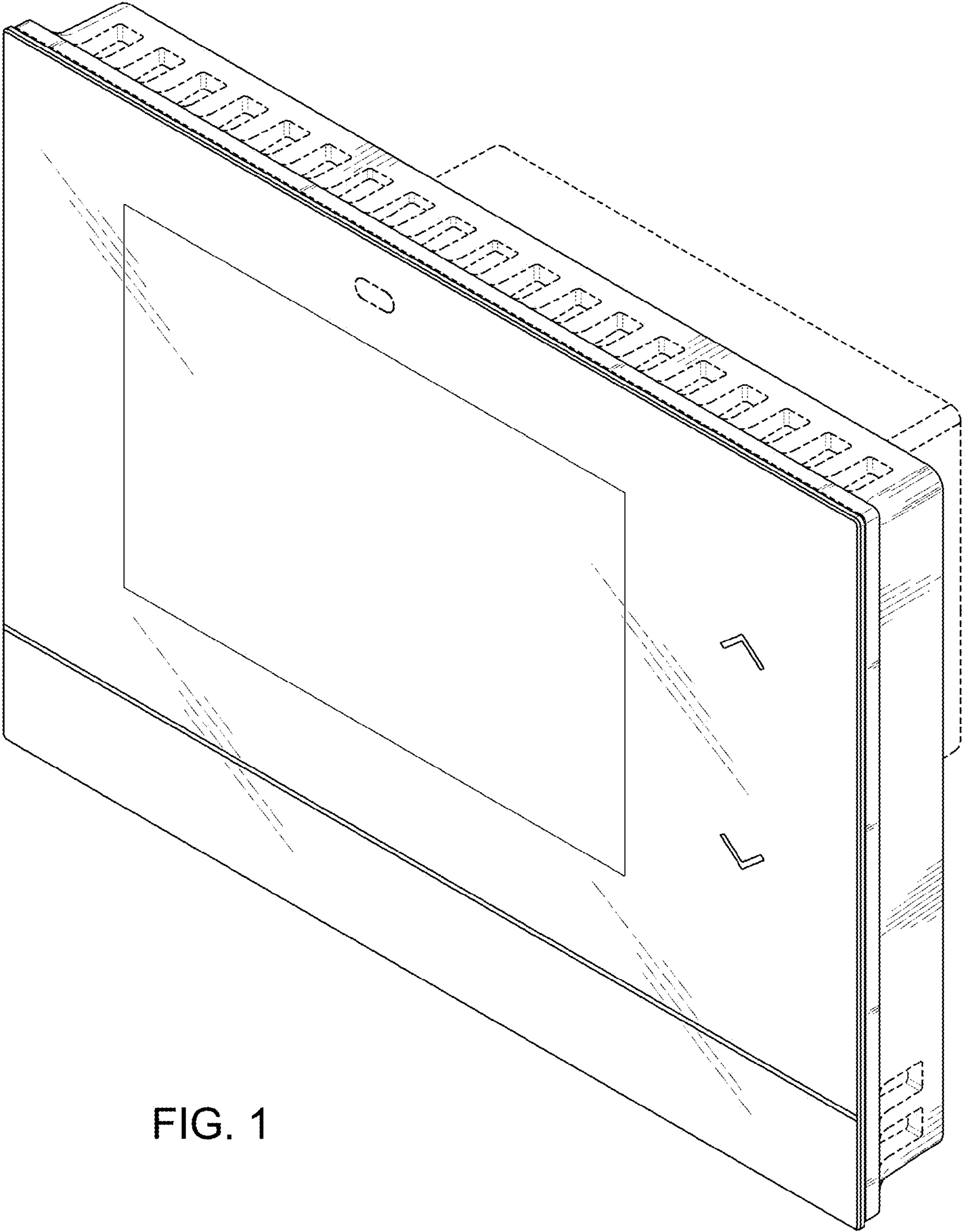


FIG. 1

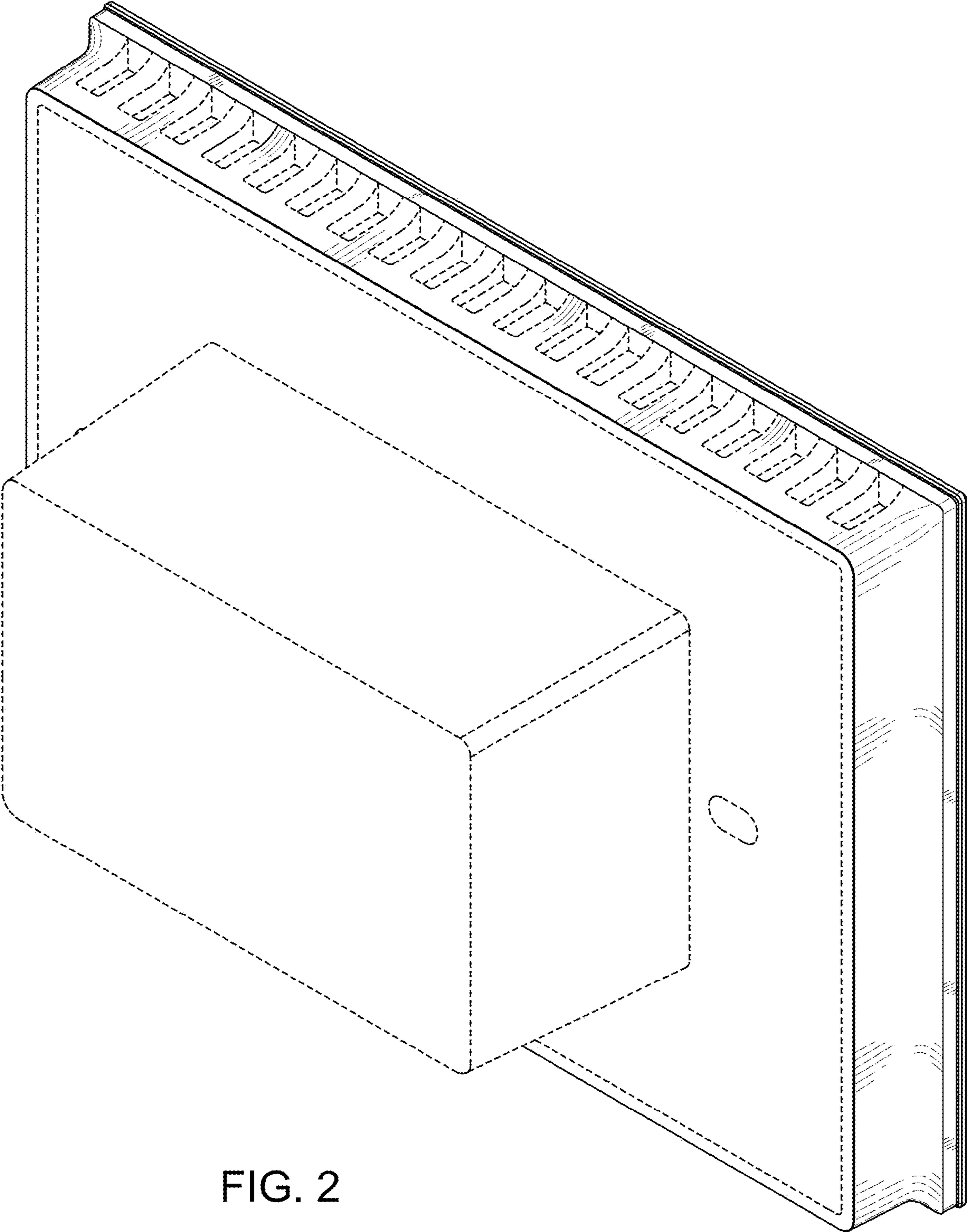


FIG. 2

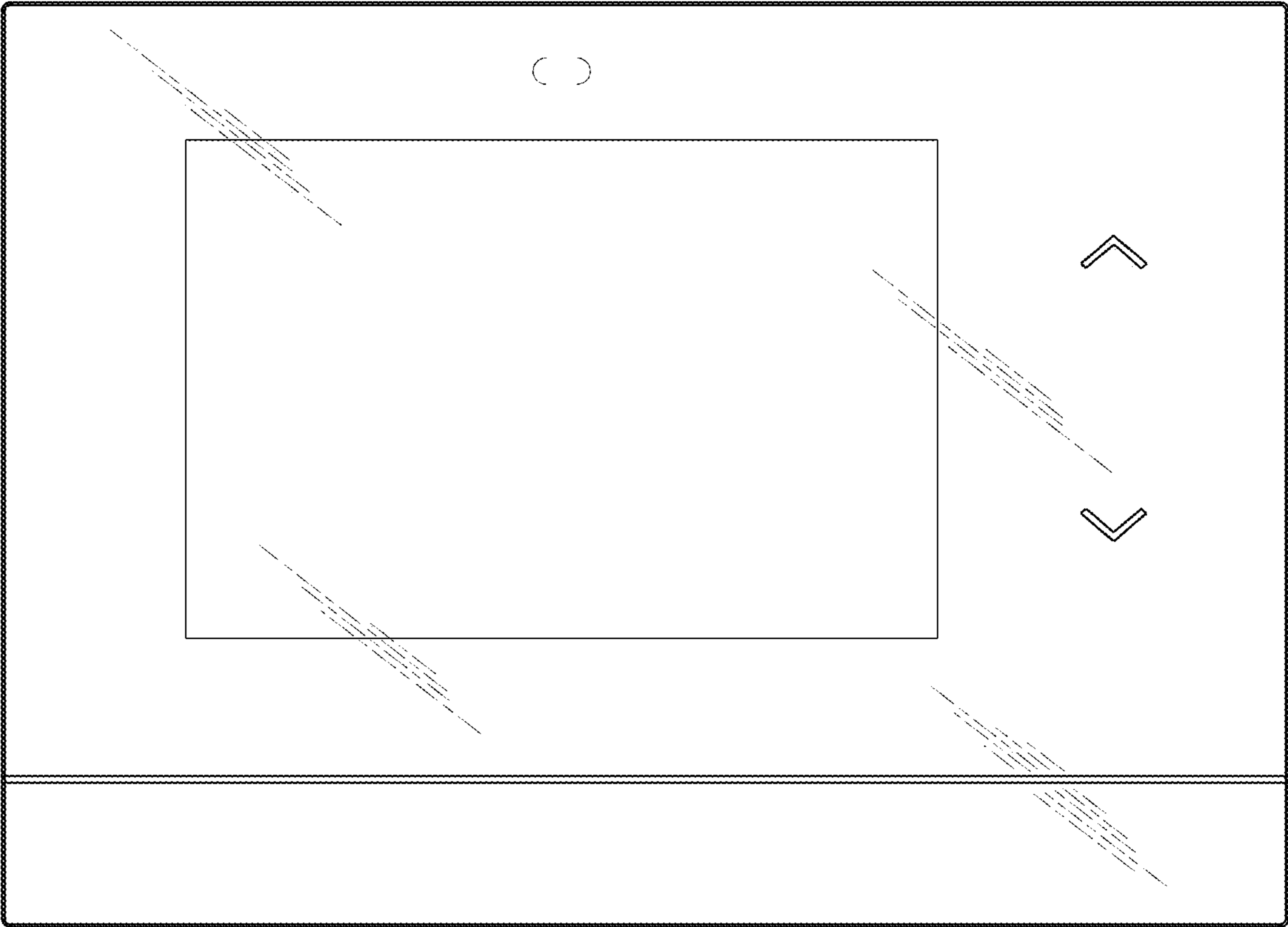


FIG. 3

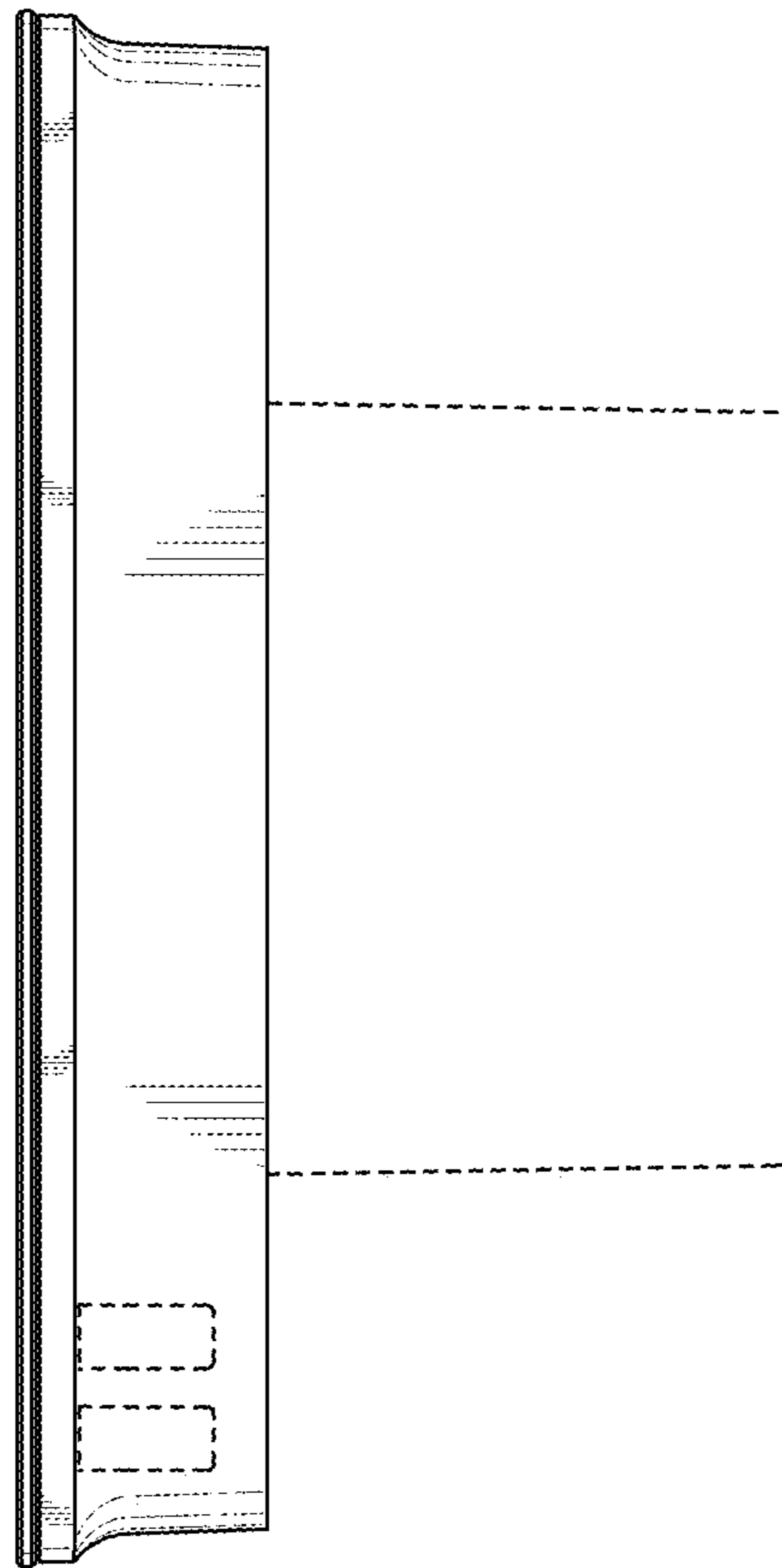


FIG. 4

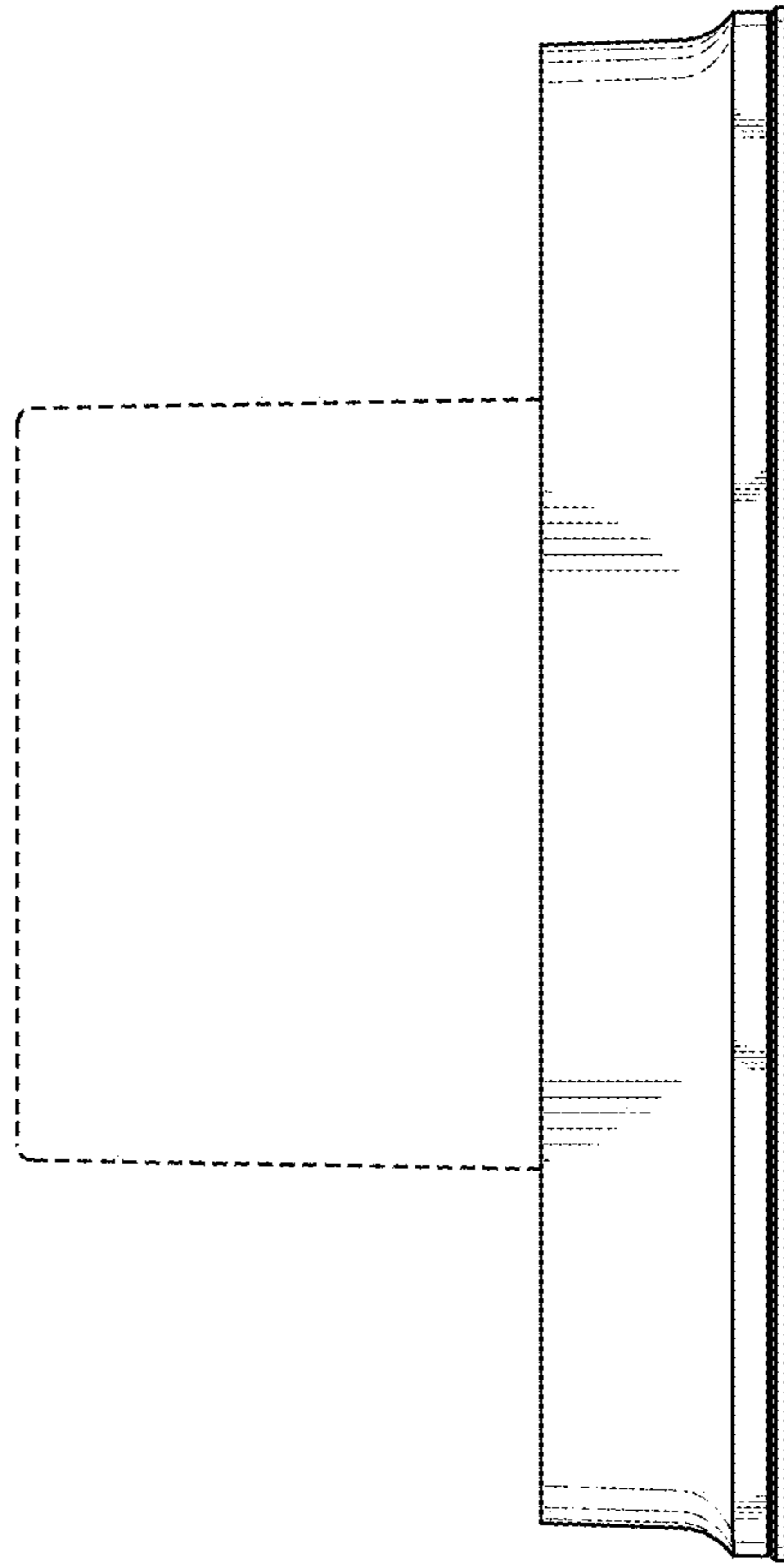


FIG. 5

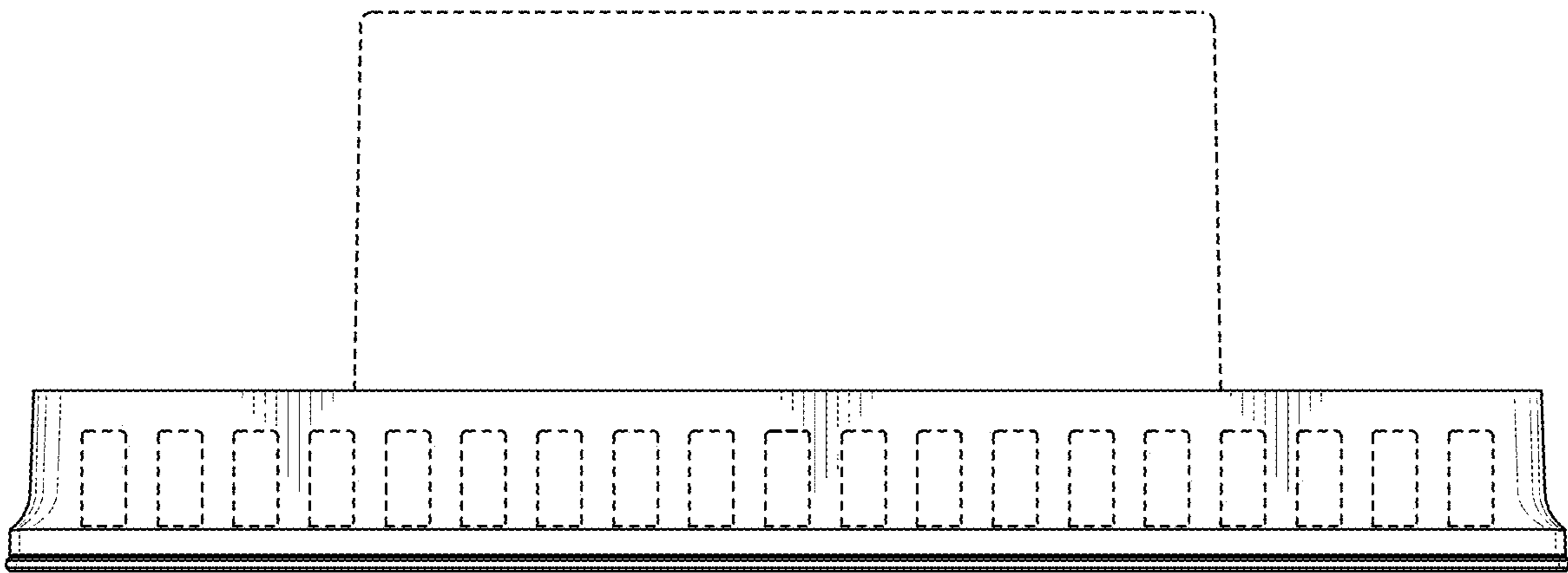


FIG. 6



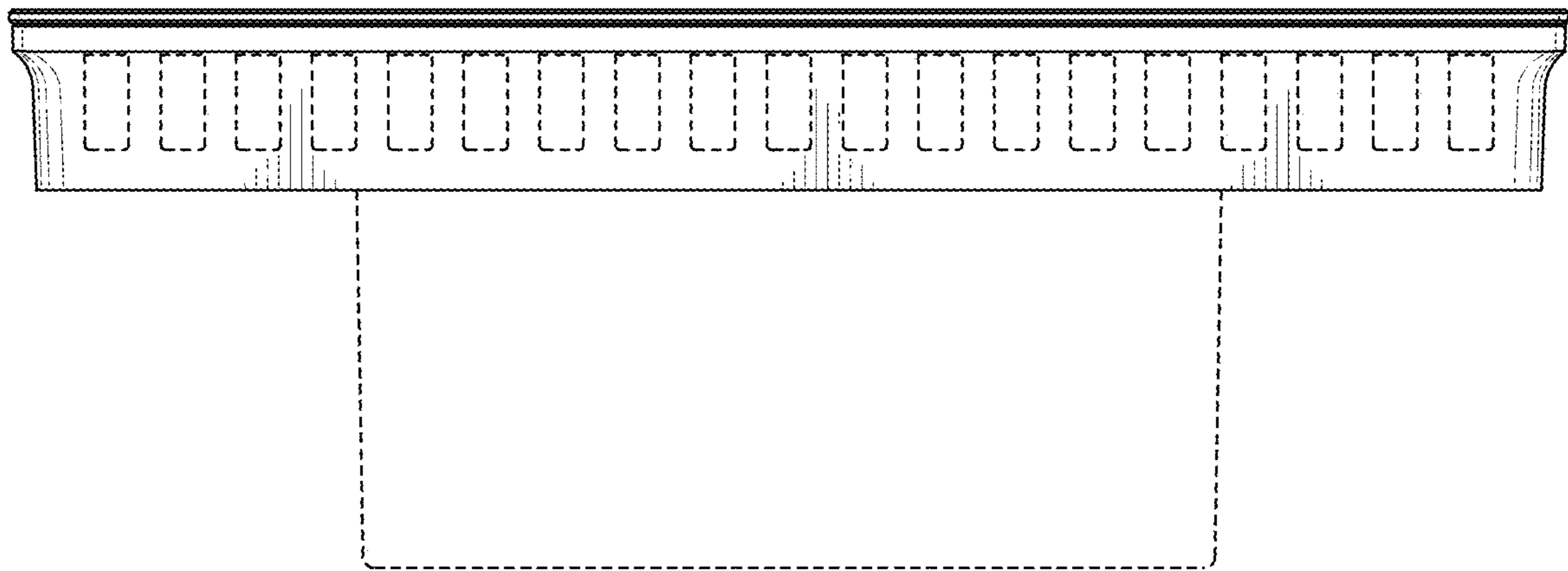


FIG. 7

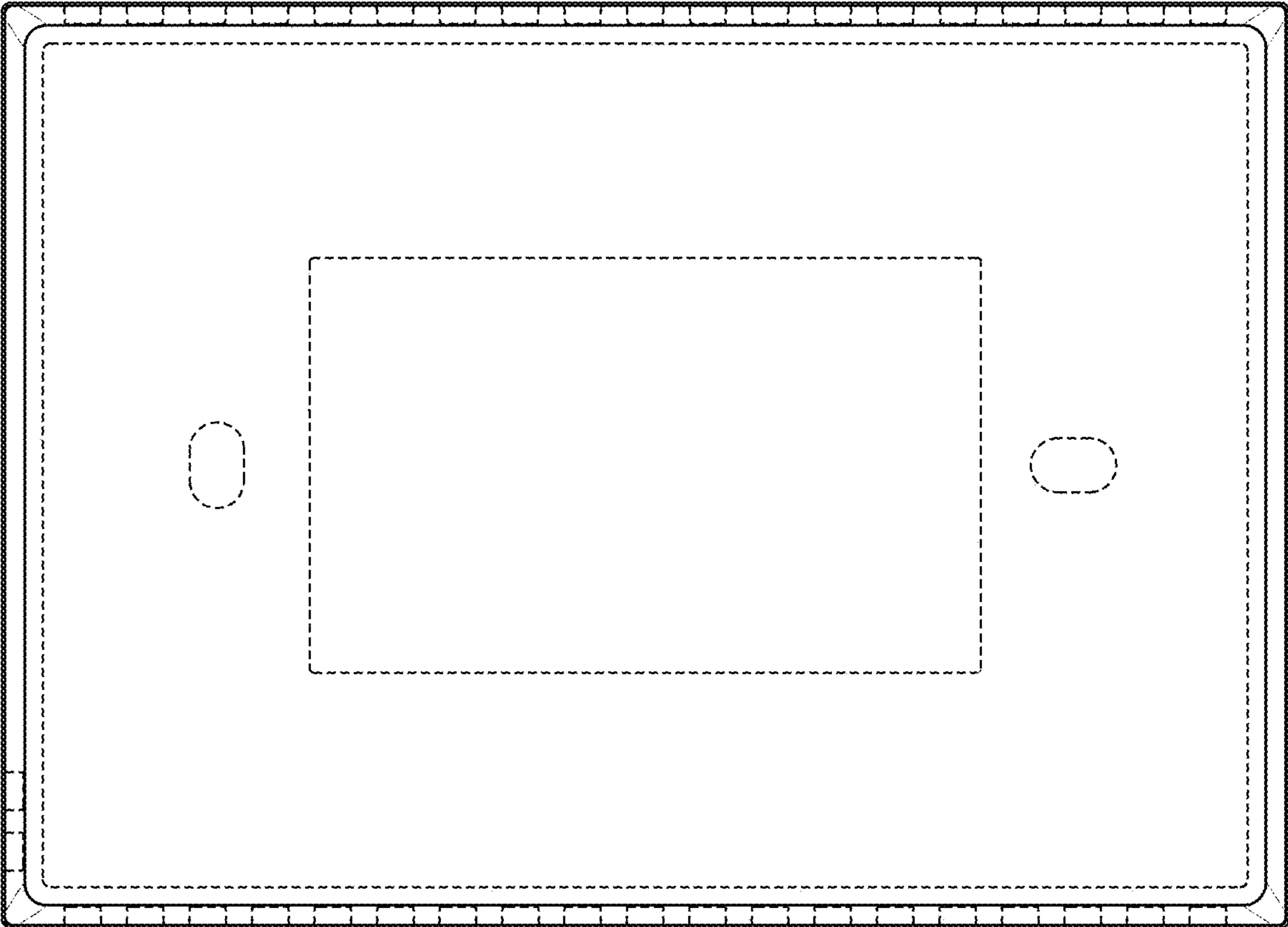


FIG. 8