



US00D952474S

(12) **United States Design Patent**
Shimek et al.

(10) **Patent No.:** **US D952,474 S**
(45) **Date of Patent:** **** May 24, 2022**

- (54) **CONTAINER**
- (71) Applicant: **Ferrara Candy Company**, Chicago, IL (US)
- (72) Inventors: **Lauren Shimek**, San Ramon, CA (US);
Alex Coriano, San Ramon, CA (US);
Judy Jonhee Lee, Highwood, IL (US)
- (73) Assignee: **FERRARA CANDY COMPANY**,
Chicago, IL (US)
- (**) Term: **15 Years**
- (21) Appl. No.: **29/746,389**
- (22) Filed: **Aug. 13, 2020**
- (51) **LOC (13) Cl.** **09-03**
- (52) **U.S. Cl.**
USPC **D9/756; D9/447; D9/453; D9/454;**
D9/503
- (58) **Field of Classification Search**
USPC D9/414, 417-418, 420, 422-424,
D9/428-429, 434-435, 447, 449-450,
D9/453-454, 500, 503, 516, 529, 549,
D9/556, 558, 575, 715, 737, 756, 761;
D3/203.2-203.4, 219; D27/186,
D27/189-190; D28/76, 82
CPC B65D 1/00; B65D 1/02; B65D 1/0223;
B65D 1/24; B65D 23/00; B65D 51/32;
B65D 83/00; B65D 85/60; B65D
2501/00; B65D 2501/0009
See application file for complete search history.

- 5,322,166 A * 6/1994 Crowther B65D 83/0454
206/534
- D431,458 S * 10/2000 Bried D3/203.2
- D441,259 S * 5/2001 Molenaar D7/629
- D444,680 S * 7/2001 Molenaar D7/629
- D527,627 S * 9/2006 Liebe D9/428
- D547,940 S * 8/2007 Sandy D3/203.2
- D683,497 S * 5/2013 Ghiotti D9/428
- D713,598 S * 9/2014 Ghiotti D27/186
- D773,302 S * 12/2016 Henriksson D9/504
- D906,135 S * 12/2020 Fogarty D9/780

* cited by examiner

Primary Examiner — Dana Meyrow

(74) *Attorney, Agent, or Firm* — McAndrews, Held & Malloy, Ltd.

(57) **CLAIM**

The ornamental design for a container, as shown and described.

DESCRIPTION

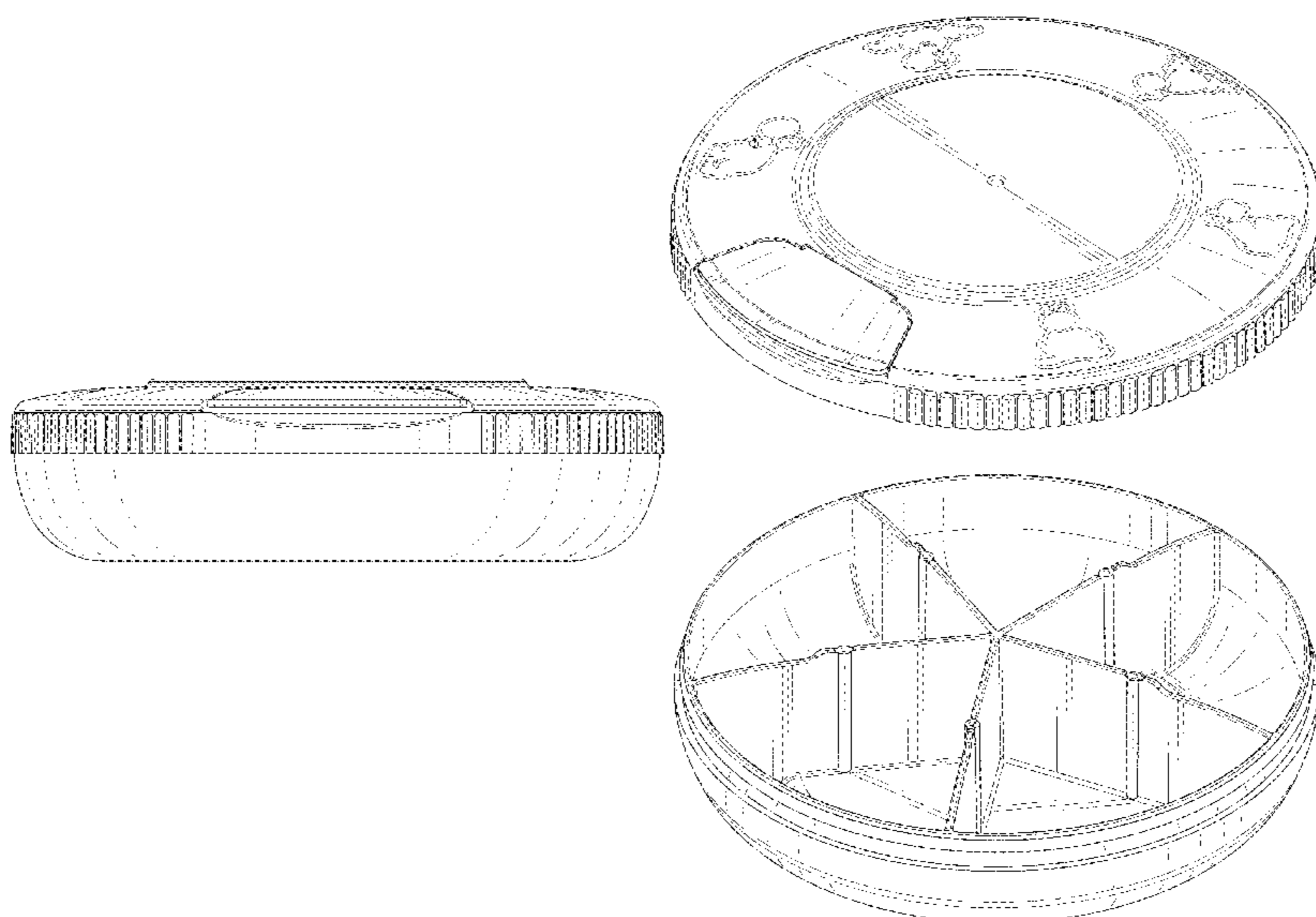
FIG. 1 is a top and front perspective view of a container showing our new design;
 FIG. 2 is a front elevation view thereof;
 FIG. 3 is a rear elevation view thereof;
 FIG. 4 is a left side elevation view thereof;
 FIG. 5 is a right side elevation view thereof;
 FIG. 6 is a top plan view thereof;
 FIG. 7 is a bottom plan view thereof;
 FIG. 8 is bottom and rear perspective view thereof;
 FIG. 9 is an exploded top and front perspective view thereof;
 FIG. 10 is a top and rear perspective view thereof, showing the lower portion of the container separately for clarity of illustration; and,
 FIG. 11 is another top and front perspective view thereof, showing the dispensing tab of the container in an opened configuration.
 The dashed broken lines in the figures illustrate portions of the container that form no part of the claimed design.

1 Claim, 11 Drawing Sheets

(56) **References Cited**

U.S. PATENT DOCUMENTS

- D210,316 S * 2/1968 Wolski D3/203.4
- 4,164,301 A * 8/1979 Thayer B65D 83/0454
206/534
- D252,912 S * 9/1979 Rideout, Jr. D3/203.4
- D337,051 S * 7/1993 Harbeke D9/424



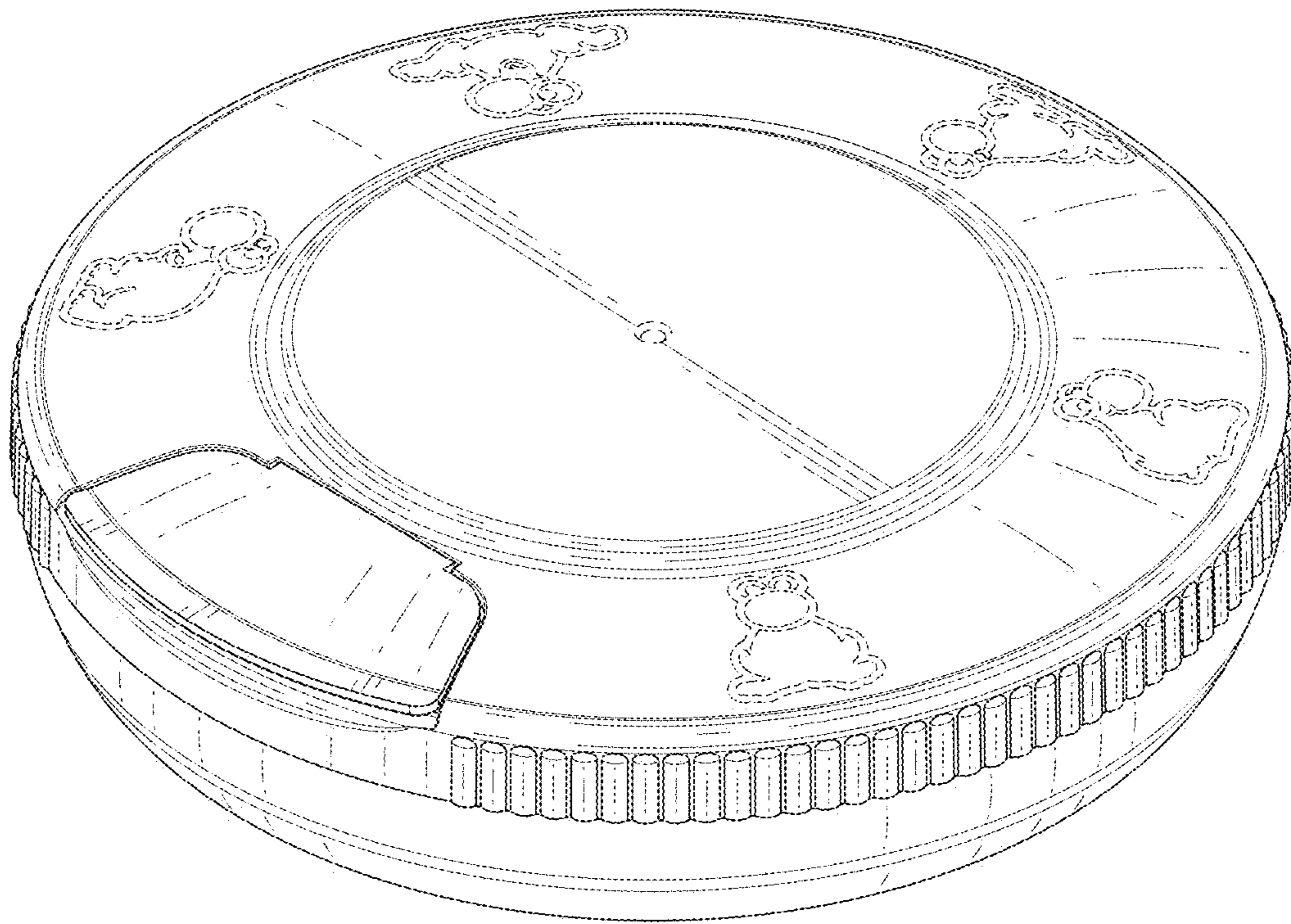


FIG. 1

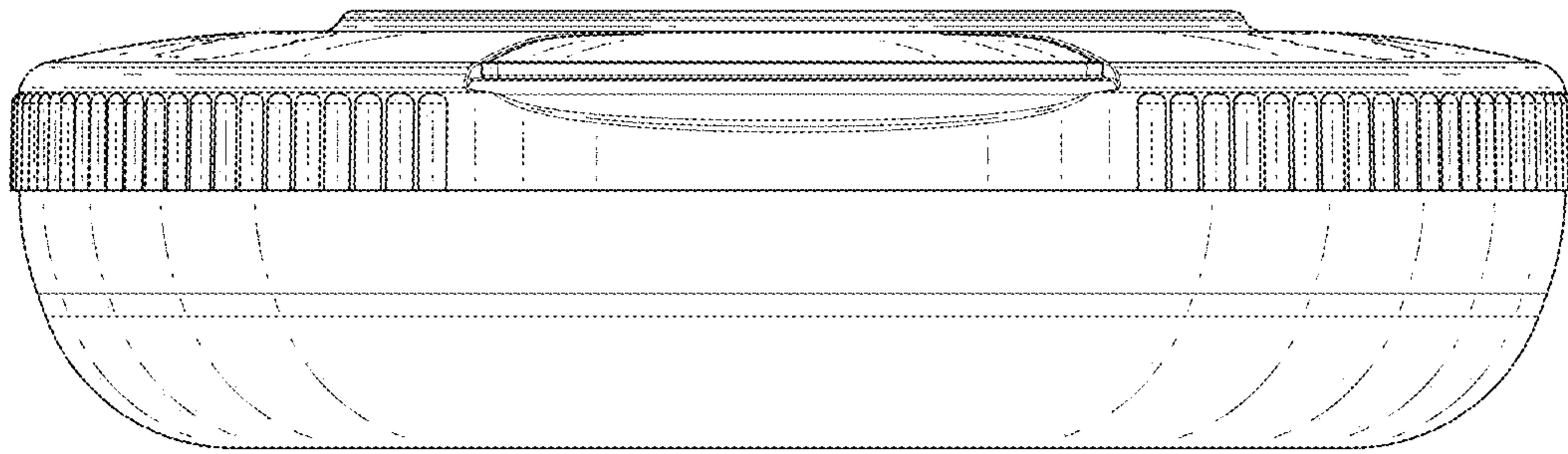


FIG. 2

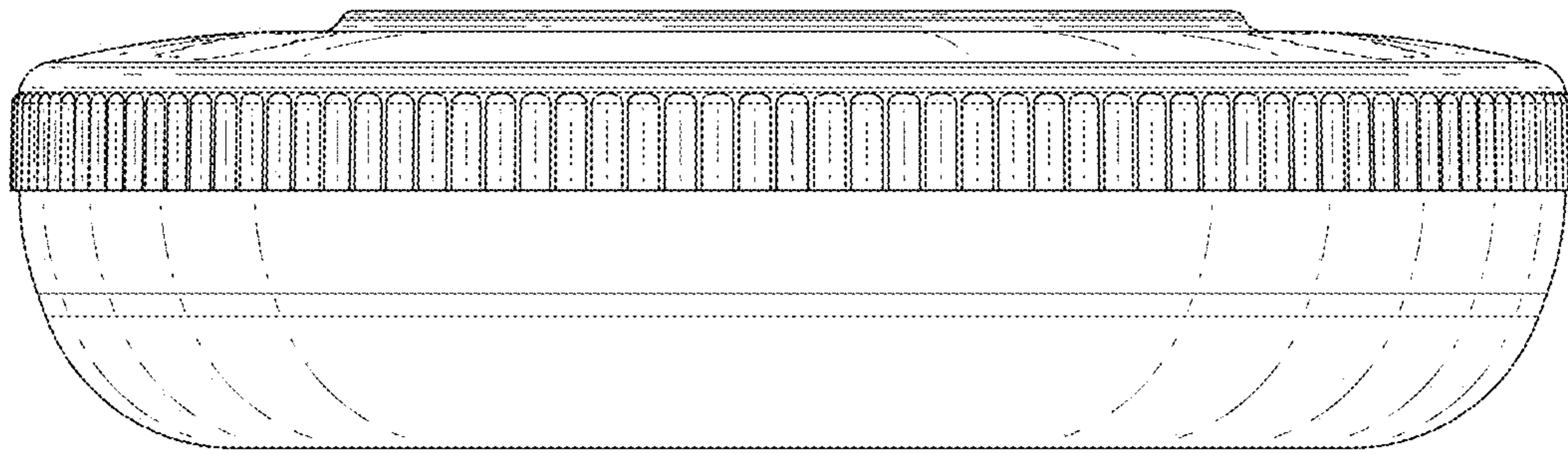


FIG. 3

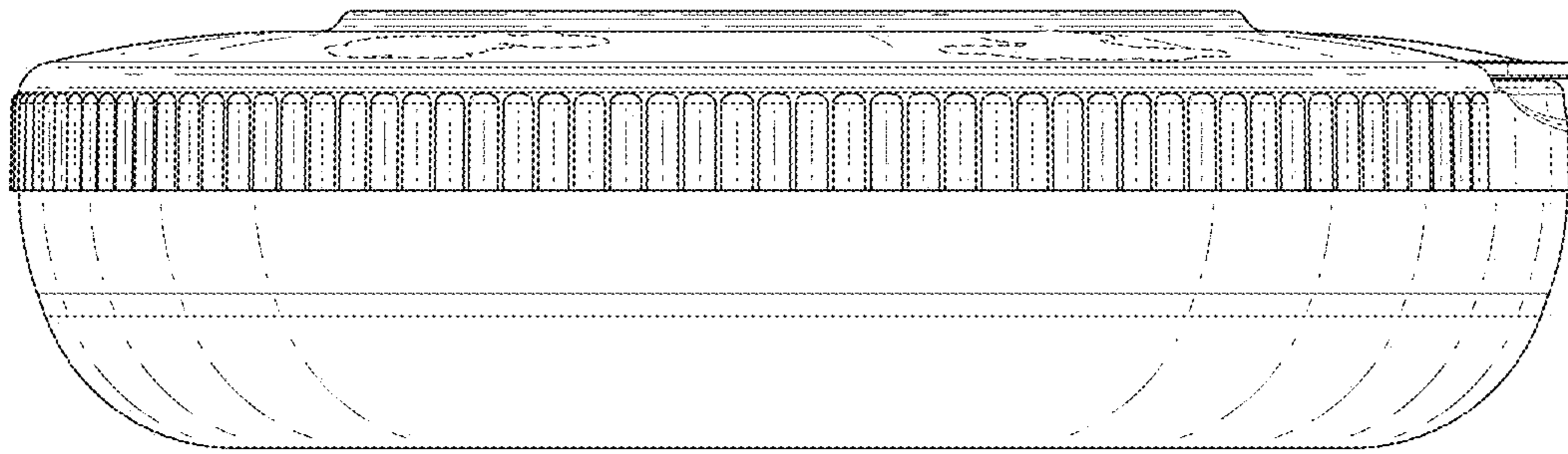


FIG. 4

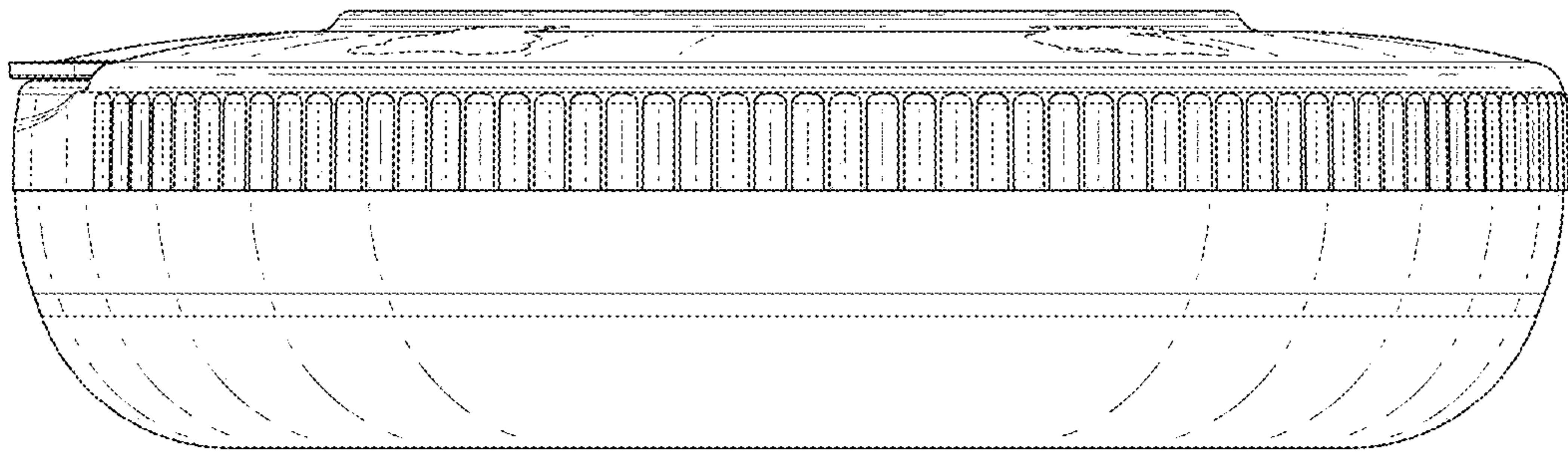


FIG. 5

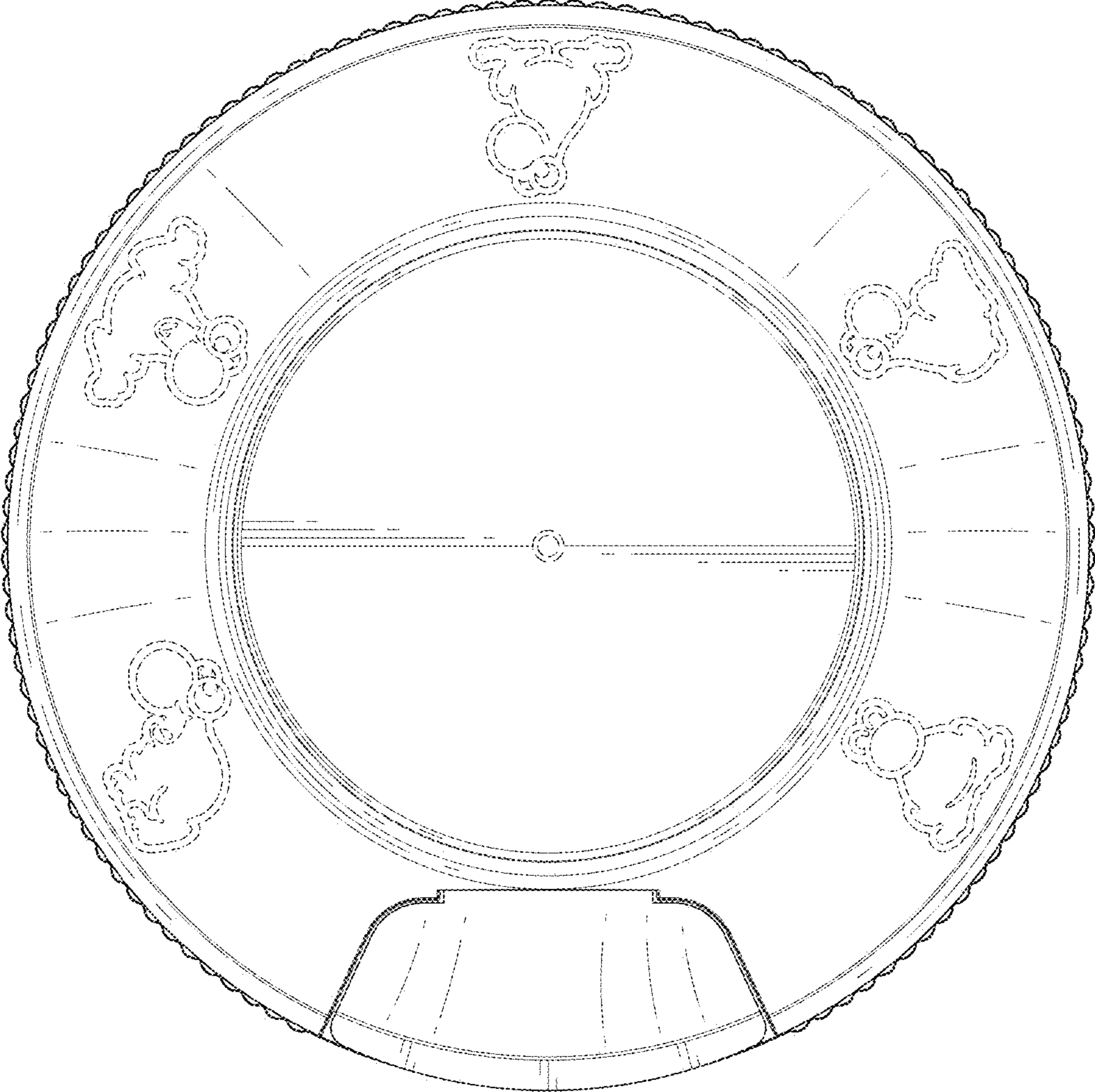


FIG. 6

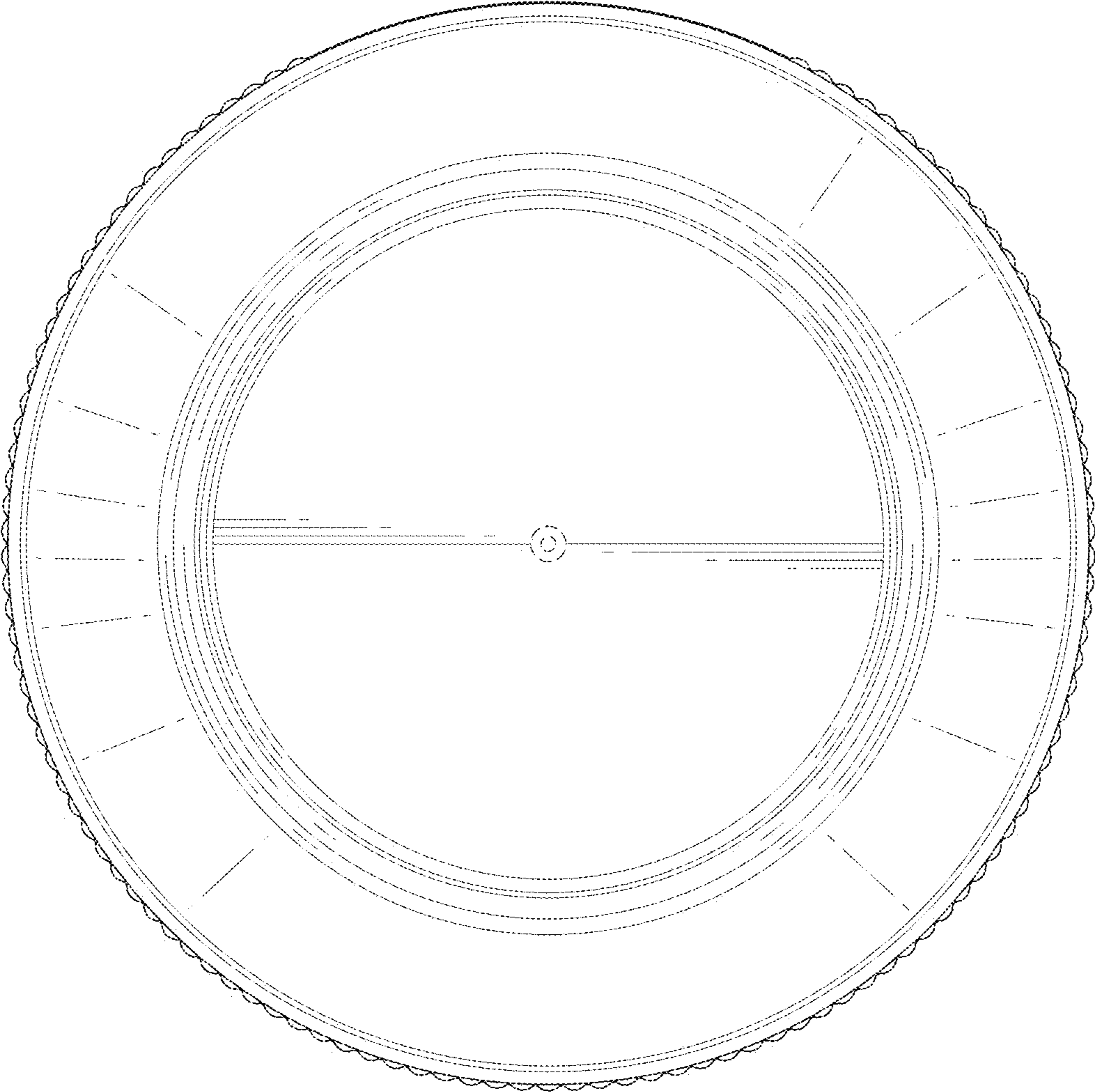


FIG. 7

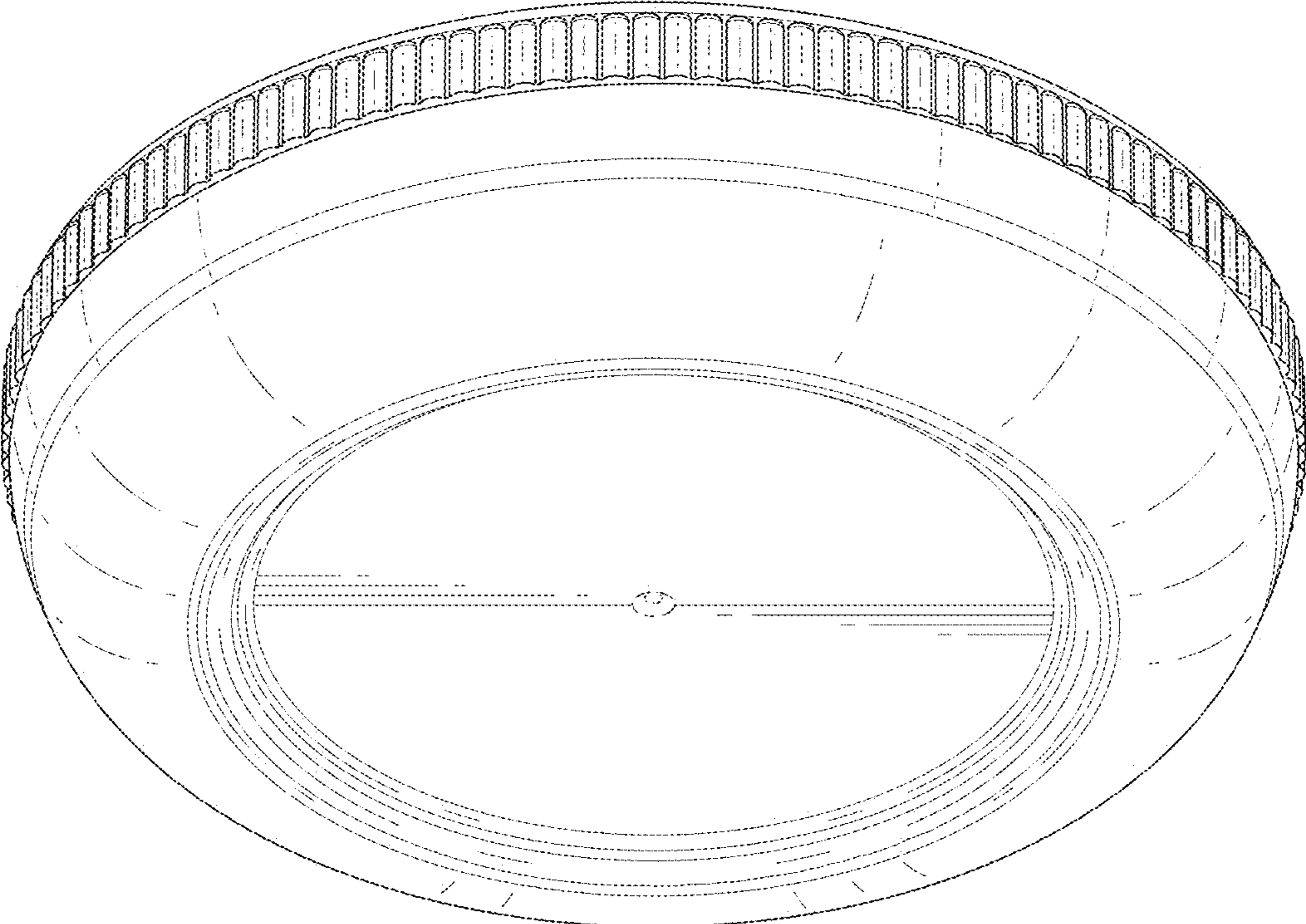


FIG. 8

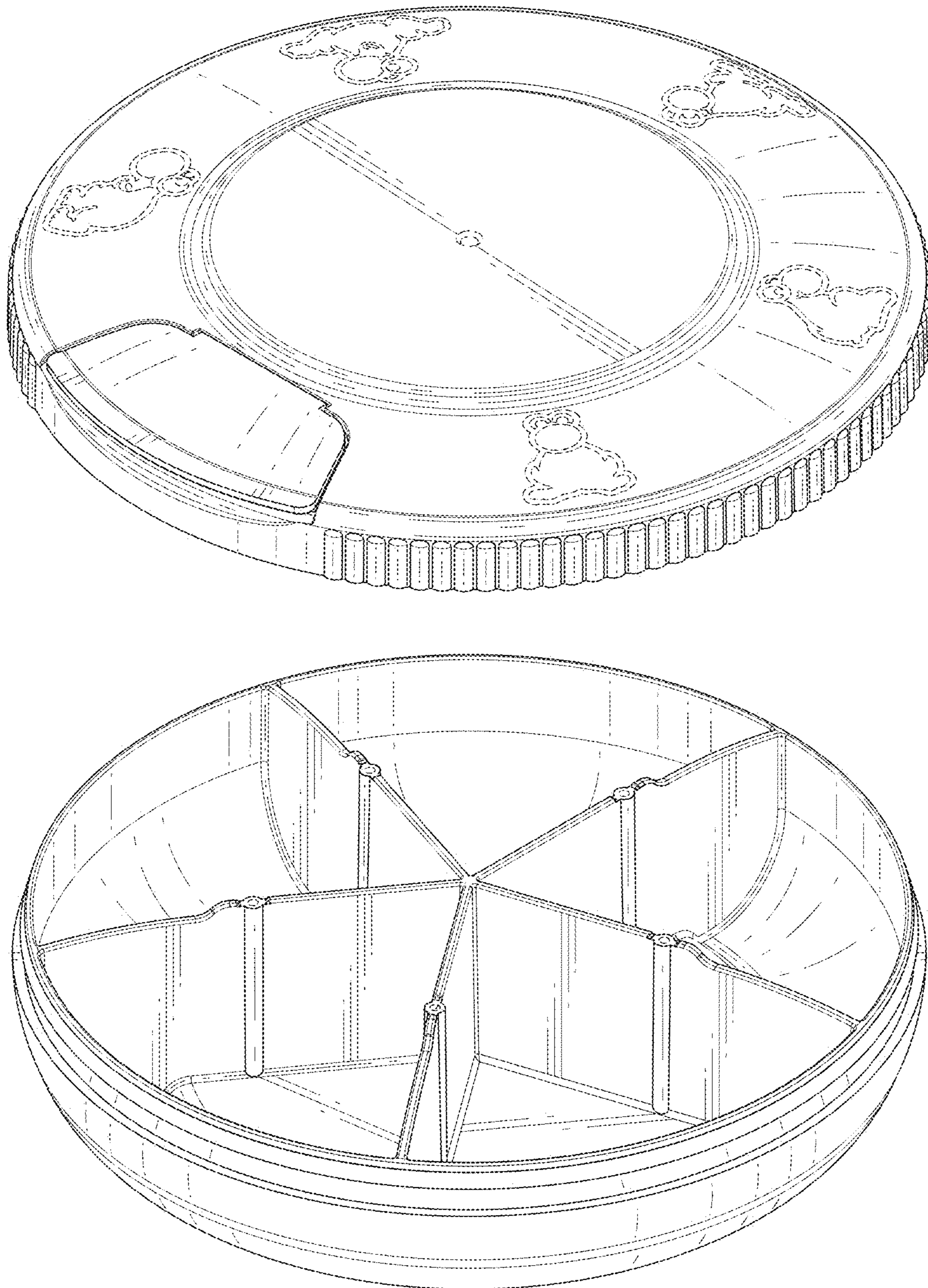


FIG. 9

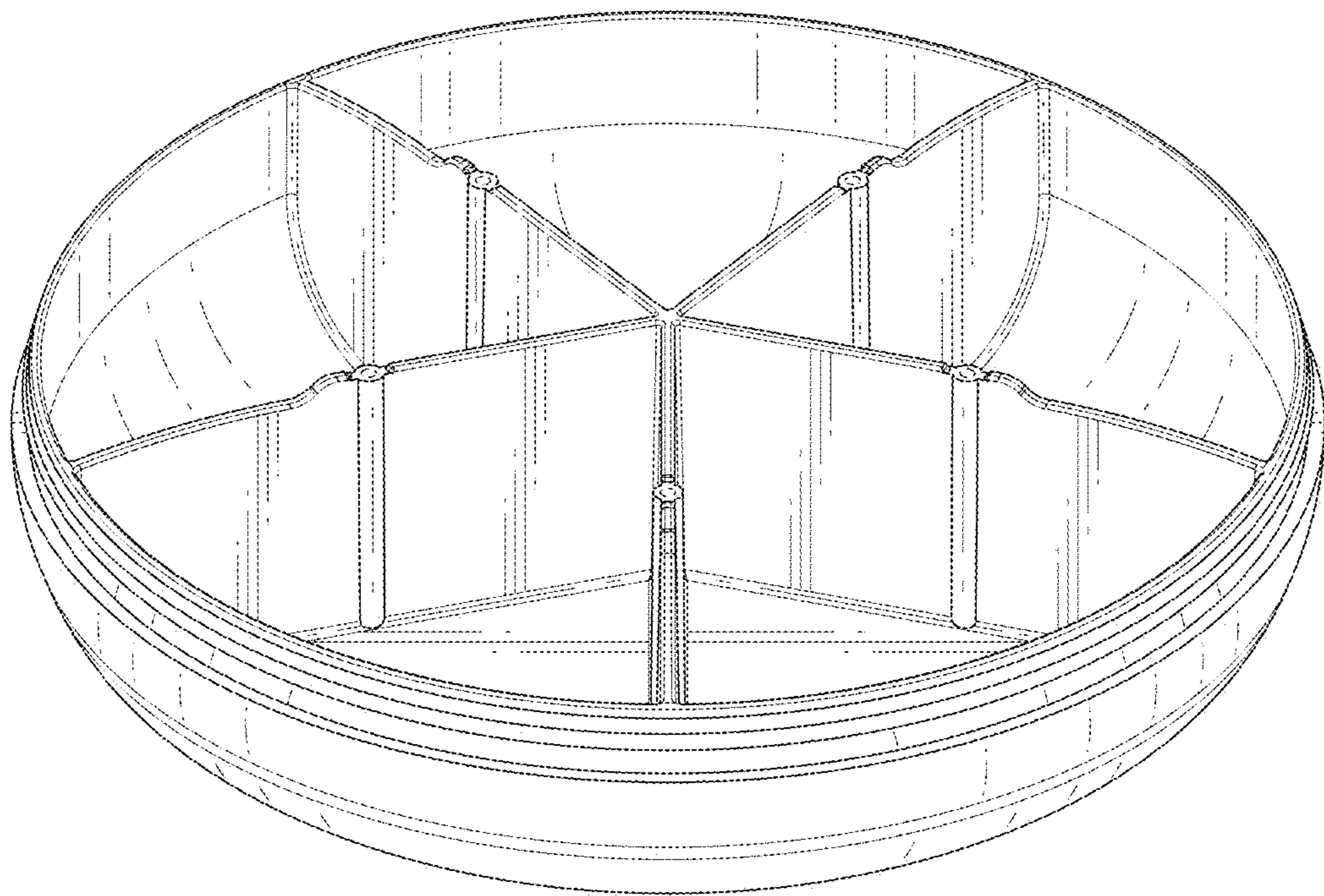


FIG. 10

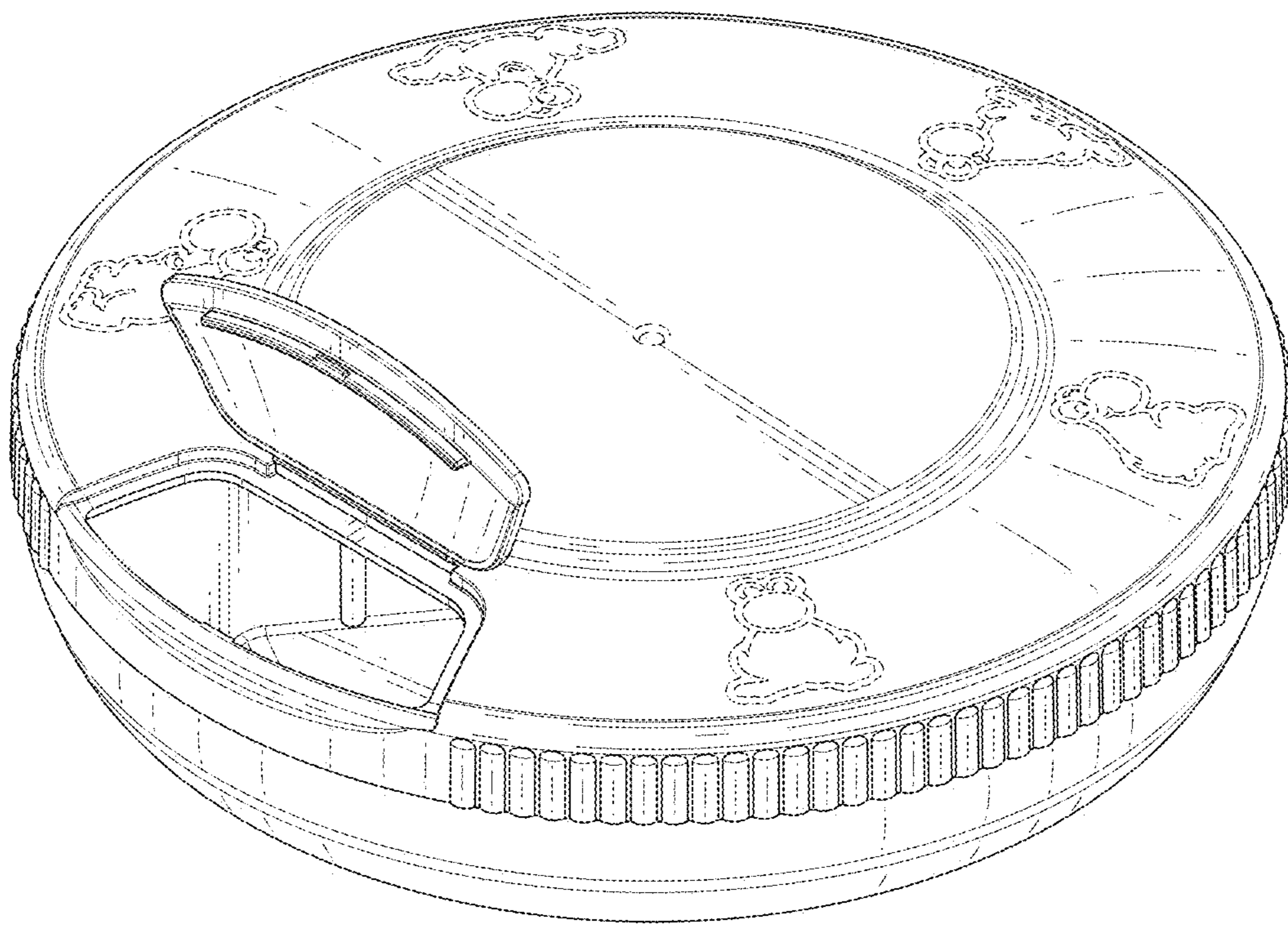


FIG. 11