



US00D952473S

(12) **United States Design Patent**
Hanzly et al.

(10) **Patent No.:** **US D952,473 S**
(45) **Date of Patent:** **** May 24, 2022**

(54) **VAPORIZER CARTRIDGE PACKAGING**

(71) Applicant: **JUUL Labs, Inc.**, San Francisco, CA
(US)

(72) Inventors: **Matthew F. Hanzly**, Buffalo, NY (US);
Stephanie D. Perry, San Francisco, CA
(US)

(73) Assignee: **JUUL Labs, Inc.**, San Francisco, CA
(US)

(**) Term: **15 Years**

(21) Appl. No.: **29/737,975**

(22) Filed: **Jun. 12, 2020**

(51) **LOC (13) Cl.** **09-03**

(52) **U.S. Cl.**
USPC **D9/756; D9/732**

(58) **Field of Classification Search**
USPC D9/732, 737, 756, 414, 420, 421, 423,
D9/424, 425, 428, 430-433, 456, 499;
D7/553.1-553.8, 555; D24/226, 229, 230
CPC ... B65D 1/30; B65D 1/34; B65D 1/36; B65D
43/162; B65D 81/3453; B65D 21/0206;
B65D 75/527; B65D 75/5855; B65D
75/5888; B65D 2221/00; B65D
2543/00194; B65D 75/326; B65D 75/36;
A61C 17/005; A61C 19/006; A61J 1/035;
A61J 1/2024

See application file for complete search history.

(56) **References Cited**

U.S. PATENT DOCUMENTS

- 4,398,634 A * 8/1983 McClosky B65D 75/323
206/484
- D485,942 S * 1/2004 McLeish D28/8.1
- 7,093,816 B2 * 8/2006 Lacan F25C 1/243
249/61
- D686,090 S * 7/2013 Logue D9/732
- D713,741 S * 9/2014 Wilmers D9/761

- D761,124 S * 7/2016 Taylor D9/732
- 10,501,248 B2 * 12/2019 Ghiam B65B 61/182
- D886,638 S * 6/2020 Bhalla D9/737
- D902,054 S * 11/2020 Bhalla D9/732
- 2002/0104773 A1 * 8/2002 Kalvelage B65D 75/327
206/538

(Continued)

FOREIGN PATENT DOCUMENTS

WO D211757-001 * 12/2020

OTHER PUBLICATIONS

Smok Novo 2 DC Dual Coil Replacement Pod, available Aug. 29, 2020, [online], [site visited Jan. 1, 2022]. Available from internet, URL: <https://www.eliquid.com/products/ecd-smok-novo-2-dc-dual-coil-replacement-pod-3-pack> (Year: 2020).*

(Continued)

Primary Examiner — W. A. Teddy Falloway
(74) *Attorney, Agent, or Firm* — Mintz, Levin, Cohn,
Ferris, Glovsky and Popeo, P.C.

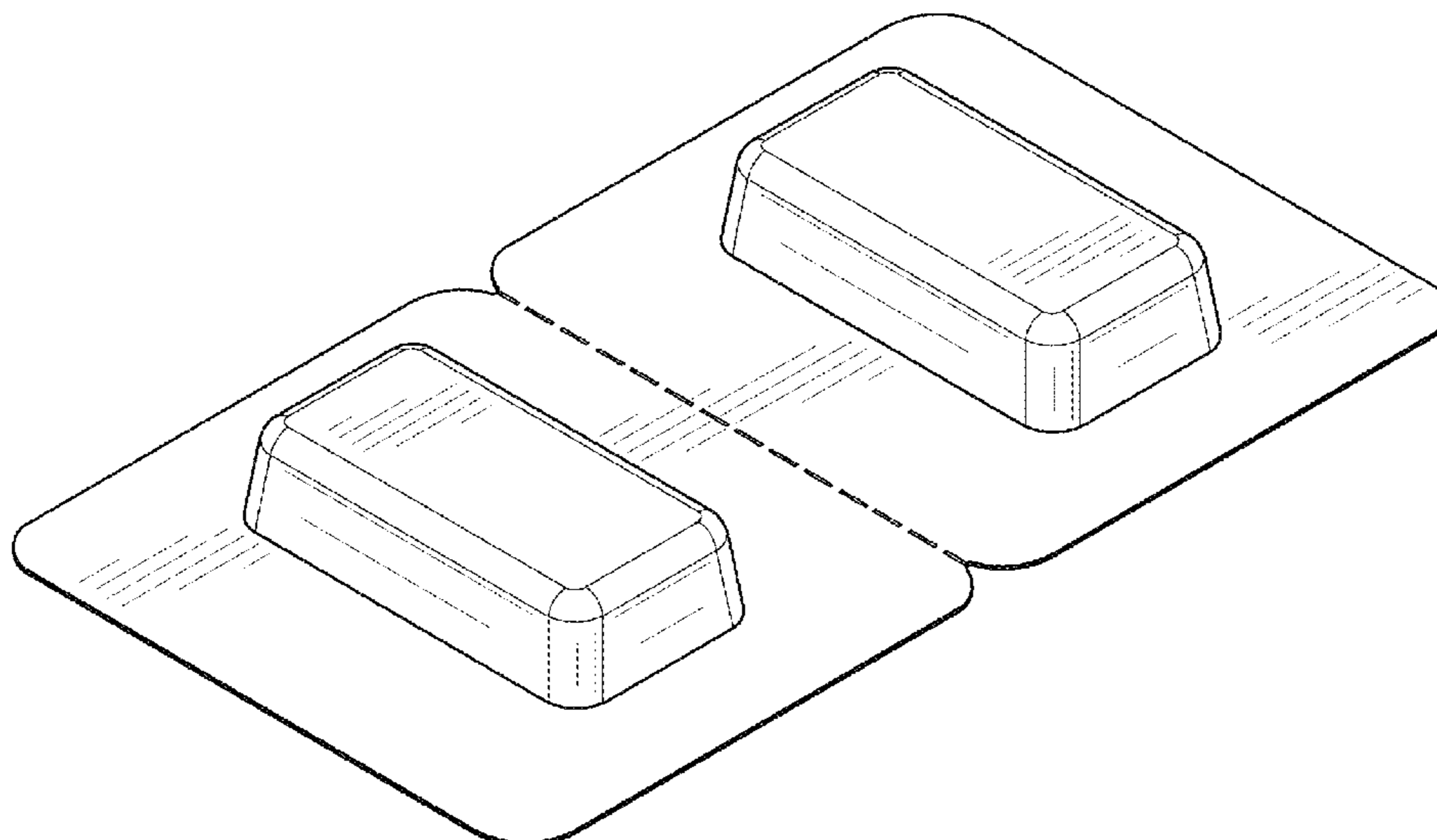
(57) **CLAIM**

The ornamental design for a vaporizer cartridge packaging, as shown and described.

DESCRIPTION

FIG. 1 is a top, front, and left side perspective view of a vaporizer cartridge packaging of our design; FIG. 2 is a top view thereof; FIG. 3 is a bottom view thereof; FIG. 4 is a front view thereof; FIG. 5 is a rear view thereof; FIG. 6 is a left side thereof; and, FIG. 7 is a right side view thereof. The long-dashed broken lines illustrate perforations of the vaporizer cartridge packaging that form a part of the claimed design.

1 Claim, 5 Drawing Sheets



(56)

References Cited

U.S. PATENT DOCUMENTS

2003/0141218 A1* 7/2003 Stephens B65D 81/3453
206/484
2005/0051459 A1* 3/2005 Casanova B65D 75/366
206/703
2006/0086640 A1* 4/2006 Luciano, Jr. A61J 7/0069
206/534
2007/0068844 A1* 3/2007 Weston B65D 75/327
206/538
2009/0159483 A1* 6/2009 Hinze B65D 75/525
206/548
2012/0160862 A1* 6/2012 Gutierrez B65D 75/327
221/1
2012/0183650 A1* 7/2012 Liske B65D 75/327
426/87
2014/0053952 A1* 2/2014 Genosar A61J 1/2093
141/105
2020/0130911 A1* 4/2020 Bhalla B65D 75/327

OTHER PUBLICATIONS

UWELL Amulet Replacement Pod Pack, available Jan. 1, 2022, [online], [site visited Jan. 1, 2022]. Available from internet, URL: <https://hazetownvapes.com/products/uwell-amulet-replacement-pod-pack> (Year: 2022).*

* cited by examiner

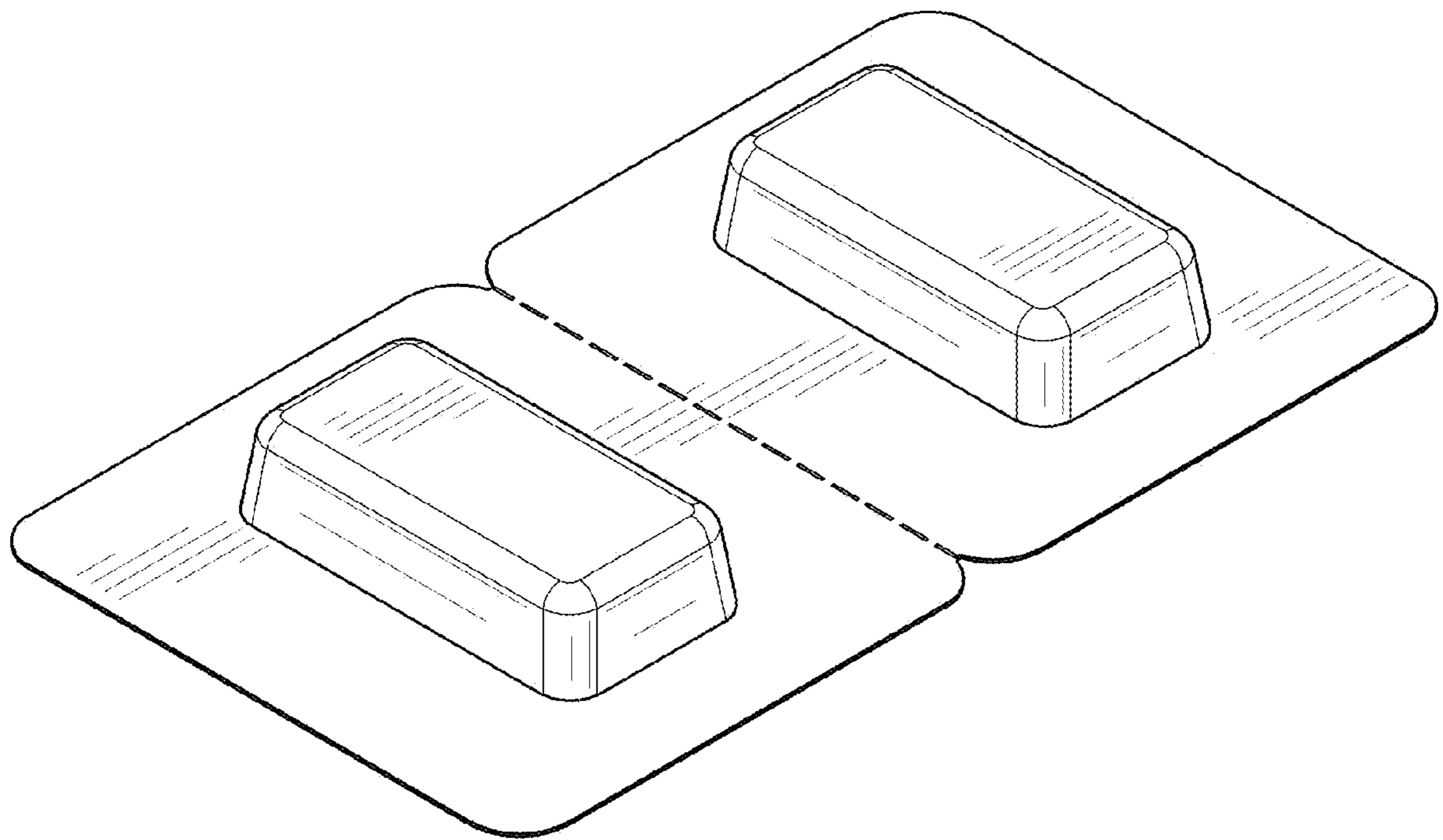


FIG. 1

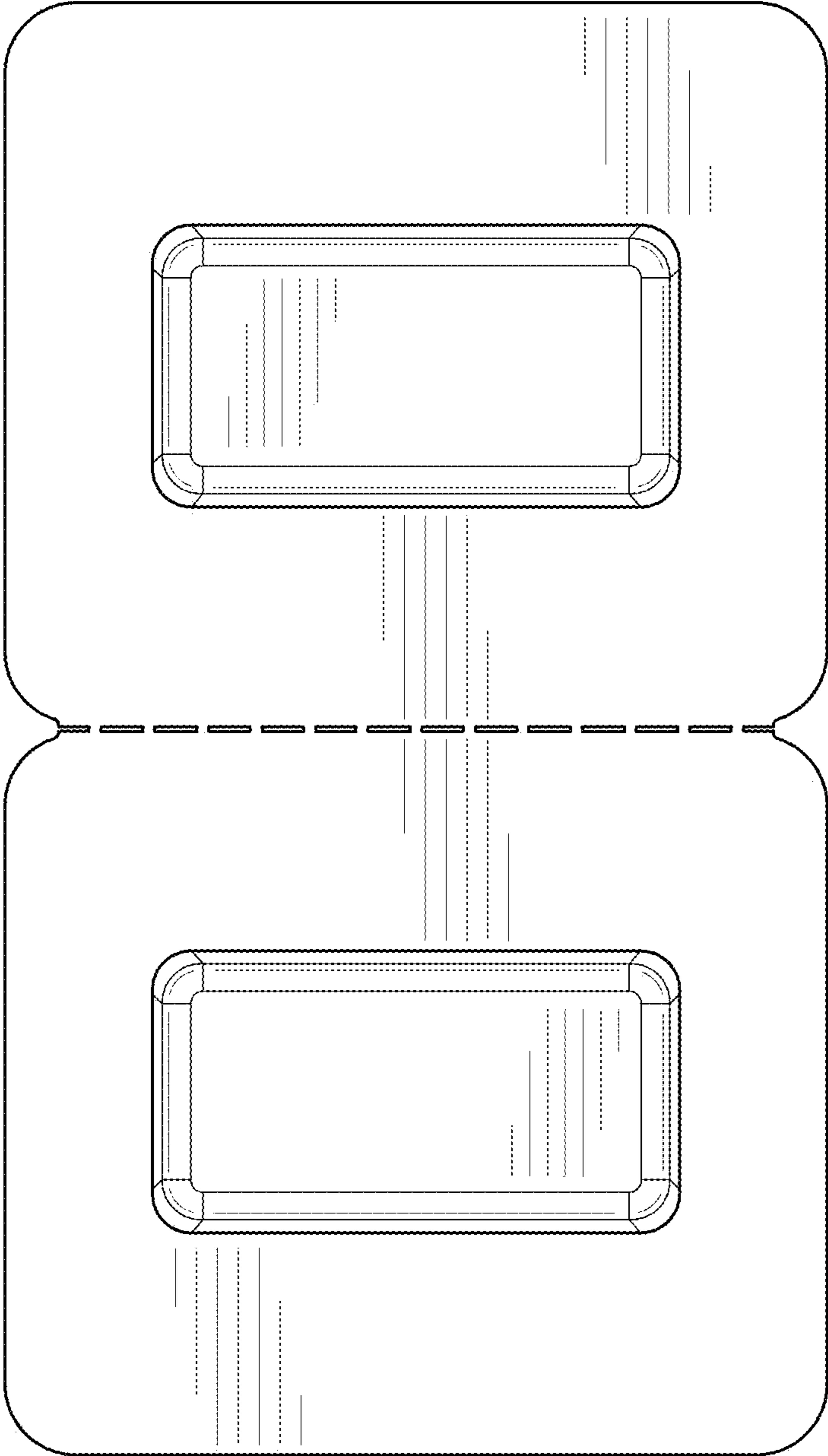


FIG. 2

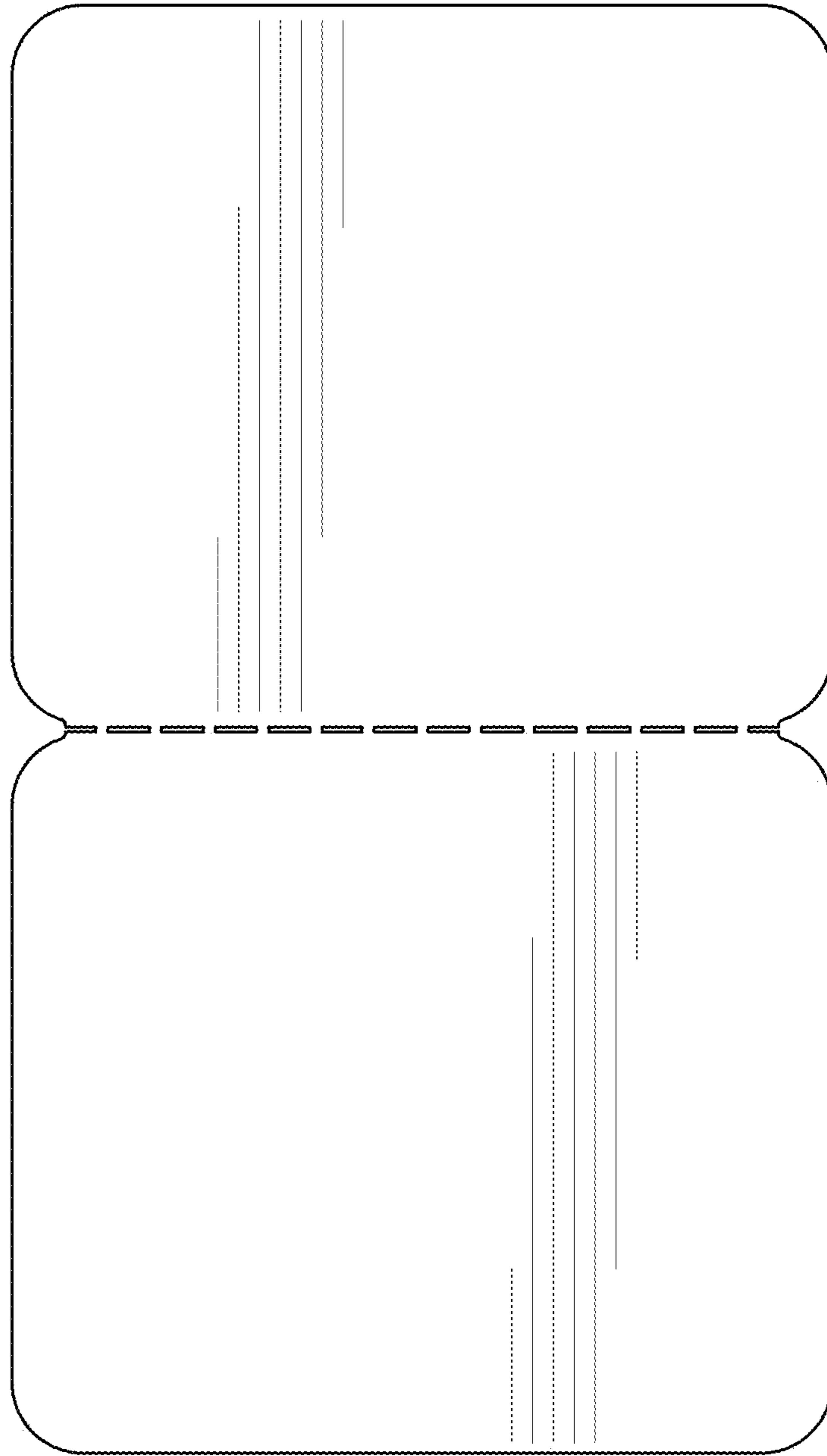


FIG. 3

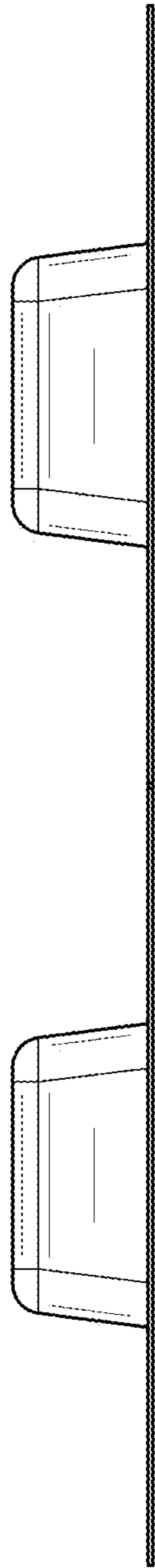


FIG. 4

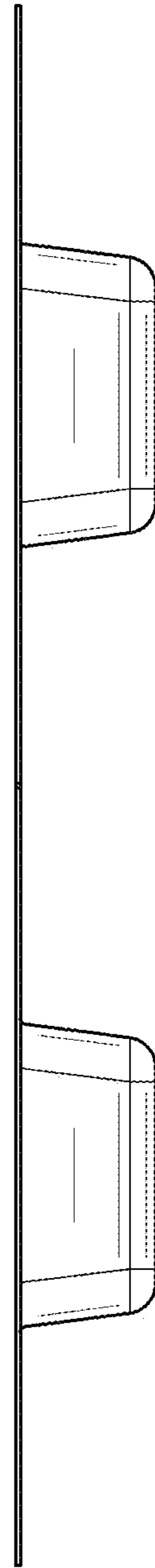


FIG. 5

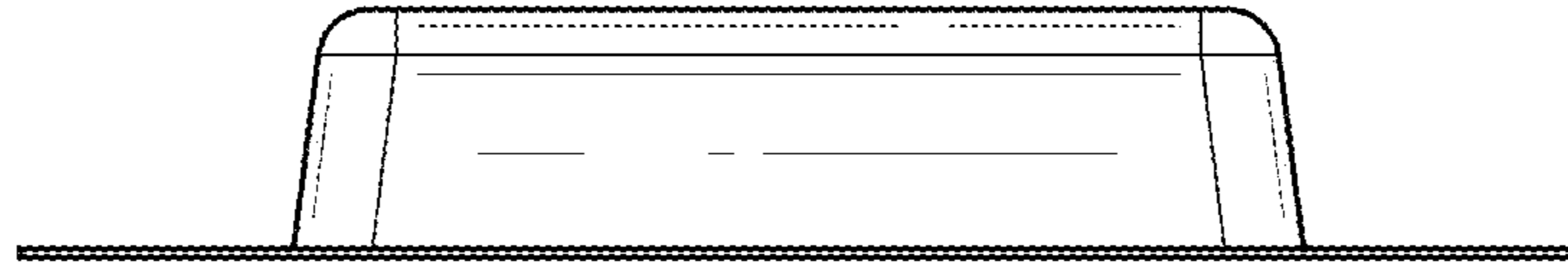


FIG. 6

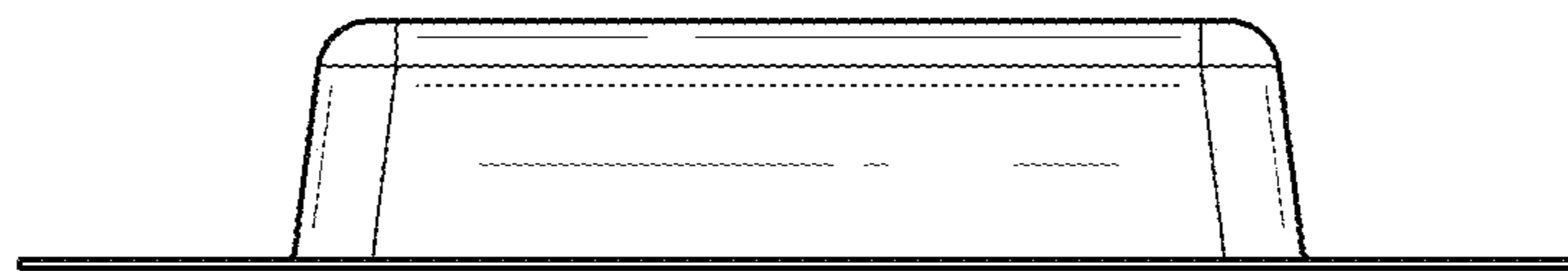


FIG. 7