



US00D952464S

(12) **United States Design Patent**
Collins et al.

(10) **Patent No.:** **US D952,464 S**
(45) **Date of Patent:** **** May 24, 2022**

(54) **TENNIS BALL CONTAINER OVERCAP**

(71) Applicant: **Wilson Sporting Goods Co.**, Chicago, IL (US)

(72) Inventors: **Jason B. Collins**, Wilmette, IL (US);
Christopher W. Ryan, Bartlett, IL (US)

(73) Assignee: **Wilson Sporting Goods Co.**, Chicago, IL (US)

(**) Term: **15 Years**

(21) Appl. No.: **29/723,106**

(22) Filed: **Feb. 4, 2020**

(51) **LOC (13) Cl.** **09-07**

(52) **U.S. Cl.**
USPC **D9/454**

(58) **Field of Classification Search**

USPC D7/387, 391, 392, 392.1, 393, 396,
D7/396.1, 396.2, 397, 398, 400, 414, 509,
D7/510, 511; D28/18; D24/121, 162,
D24/224; D23/259, 260, 261, 265;
D9/434, 435, 436, 443, 445, 452, 453,
D9/454, 455, 499, 686, 690; D3/202
CPC B65D 41/02; B65D 41/10; B65D 41/62;
B65D 41/46; B65D 41/465; B65D
2251/009; B65D 2251/0015; B65D 51/20;
B65D 17/02; B65D 2401/20; B65D
2251/0071; B65D 2251/20; B65D 1/00;
B65D 1/02; B65D 1/01; B65D 1/10;
B65D 1/46; B65D 2585/56; B65D
2585/545; B65D 50/06; A63B 39/025;
A63B 2102/02; E05B 55/00; Y10T
292/1047; Y10T 292/1089; Y10T
292/865; Y10T 292/097; Y10T 292/0938;
Y10T 292/0834; Y10T

(Continued)

(56) **References Cited**

U.S. PATENT DOCUMENTS

3,369,691 A * 2/1968 Wei A47J 47/14
220/4.27
3,899,096 A * 8/1975 Marco B65D 1/46
215/335
D305,197 S * 12/1989 Valdes D7/354
(Continued)

OTHER PUBLICATIONS

Wilson US Open Xd Tball 3 ball Can Tennis Balls: Announced Nov. 14, 2018 [online]. Site Visited [Mar. 18, 2022]. Available from Internet URL: https://www.amazon.com/Wilson-Open-Extra-Duty-Tennis/dp/B07NVZM9PF/ref=asc_df_B07NVZM9PF/?tag=hyprod-20&linkCode=df0&hvadid=459661362148&hvpos=&hvnetw=g&hvrand=8207846554365246581&hvpon=&hvptwo=&hvqmt=&hvdev=c&hvdvcmld=&hvlocint=&hvlocphy=9059726&hvtargid=pla-848303670843&psc=1.

Primary Examiner — Catherine S Posthauer
(74) *Attorney, Agent, or Firm* — Terence P. O'Brien

(57) **CLAIM**

We claim the ornamental design for a tennis ball container overcap, as shown and described.

DESCRIPTION

FIG. 1 is a side perspective view of a tennis ball container over cap, shown in a position of use with exemplary environmental subject matter;
FIG. 2 is a top, side perspective view of the tennis ball container over cap of FIG. 1, shown with the exemplary environmental subject matter removed to show aspects of the design not visible when combined;
FIG. 3 is a bottom, side perspective view thereof;
FIG. 4 is a top view thereof;
FIG. 5 is a bottom view thereof;

(Continued)

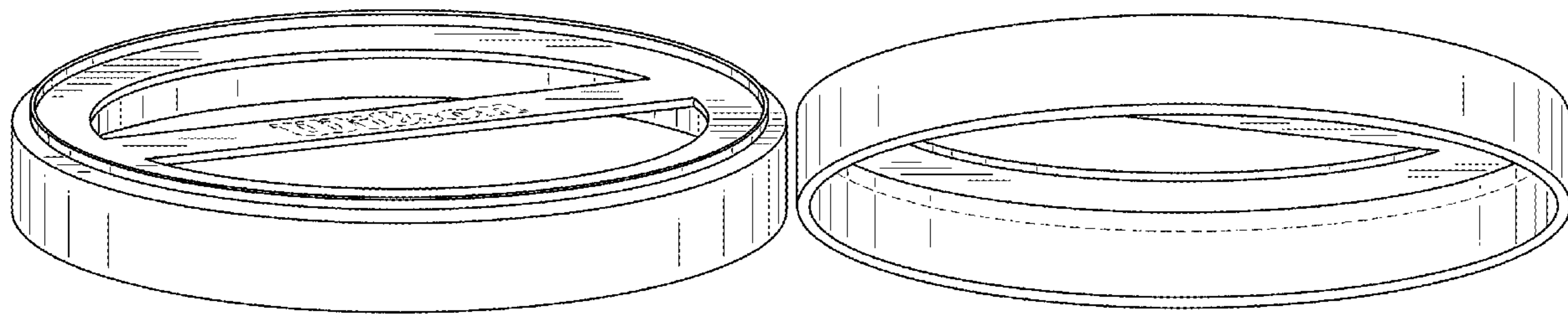


FIG. 6 is a first side view thereof; and, FIG. 7 is a second side view thereof. The broken lines are shown for the purpose of illustrating both parts of the article as well as exemplary environmental subject matter. The **Wilson** logo shown in broken lines in the drawings, is a registered trademark of Wilson Sporting Goods Co. None of the broken lines form part of the claimed design.

1 Claim, 5 Drawing Sheets

(58) **Field of Classification Search**

CPC . 292/1014; Y10T 292/0959; A61J 1/00; A61J 1/1412

See application file for complete search history.

(56) **References Cited**

U.S. PATENT DOCUMENTS

4,978,023 A * 12/1990 Behlmann A47J 41/00
220/23.6
D327,845 S 7/1992 Behm et al.
5,335,809 A * 8/1994 Toida A47J 41/0011
220/592.27
D355,708 S * 2/1995 Caine D23/260
D387,662 S 12/1997 Bright et al.

5,848,690 A * 12/1998 Granger B65D 51/1677
206/315.9
D424,205 S 5/2000 Williams
D479,951 S * 9/2003 Segura D7/629
D482,232 S * 11/2003 Zettle D7/392.1
D493,722 S * 8/2004 Cooper D9/504
D555,473 S 11/2007 Lilly et al.
D583,200 S * 12/2008 Moran D7/629
7,591,369 B2 9/2009 Lin et al.
D645,349 S * 9/2011 Tilton D9/453
D673,047 S * 12/2012 Stamper D9/453
D696,790 S * 12/2013 Nemeth D9/454
D717,469 S * 11/2014 Nemeth D24/224
D749,948 S * 2/2016 Groglopo Favetto D9/443
D766,717 S * 9/2016 Sheikh D24/207
D803,138 S * 11/2017 Fretz D12/213
D833,581 S * 11/2018 Atwell D23/259
D839,738 S * 2/2019 Hudson D9/454
D840,819 S * 2/2019 Hudson D9/454
D844,432 S * 4/2019 Bliss D9/443
D863,055 S * 10/2019 Hudson D9/559
D870,314 S * 12/2019 Isozaki D24/224
D876,888 S * 3/2020 Pola D7/392.1
D885,185 S * 5/2020 Hudson D9/454
D885,903 S * 6/2020 Rane D9/453
D887,266 S * 6/2020 Hudson D9/443
D896,074 S * 9/2020 Hudson D9/435
D918,039 S * 5/2021 Özürk D9/454
2017/0217638 A1 * 8/2017 Faria B65D 51/242
2020/0070010 A1 3/2020 Dillon et al.
2021/0237942 A1 * 8/2021 Collins B65D 41/02

* cited by examiner

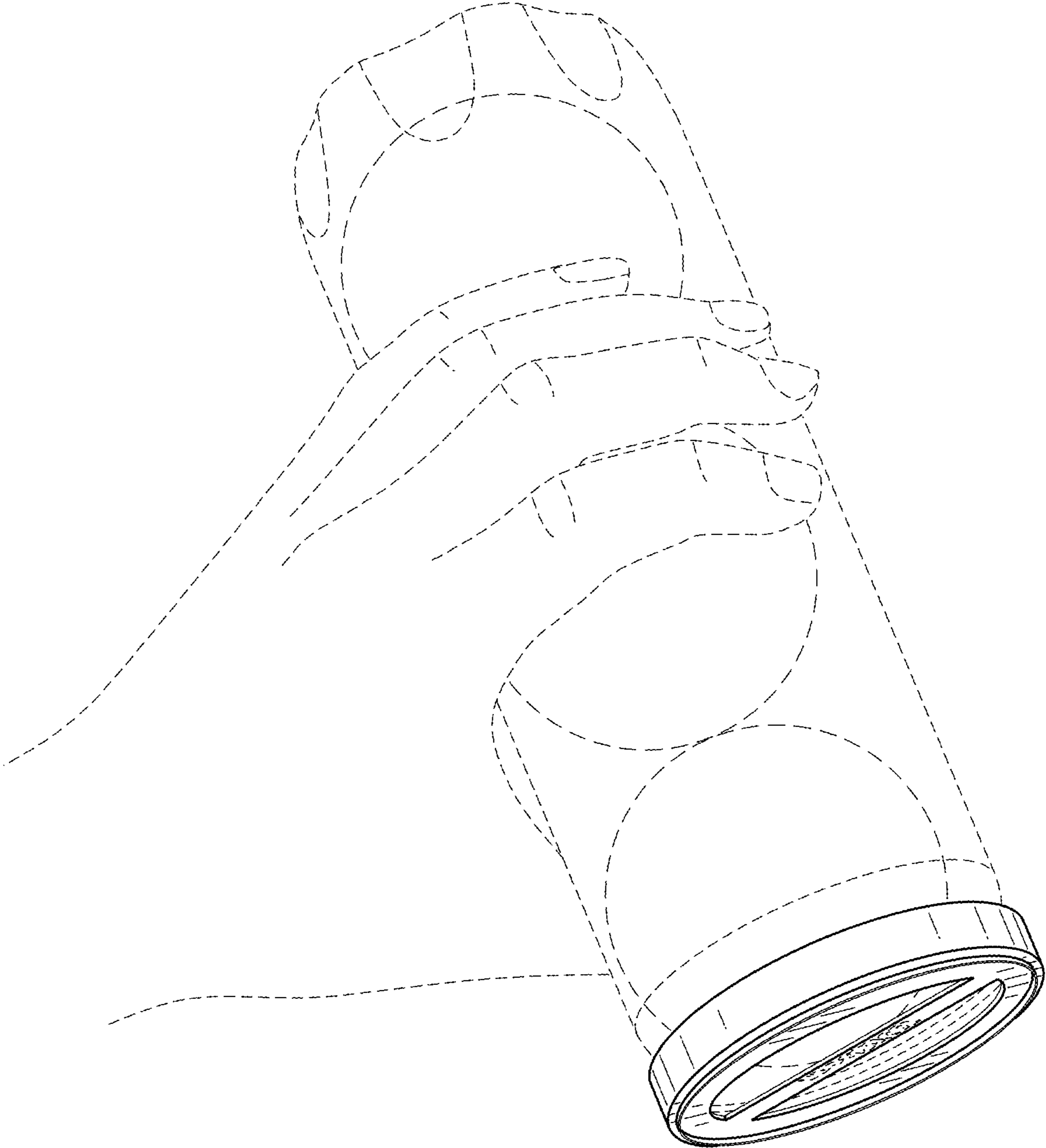


FIG. 1

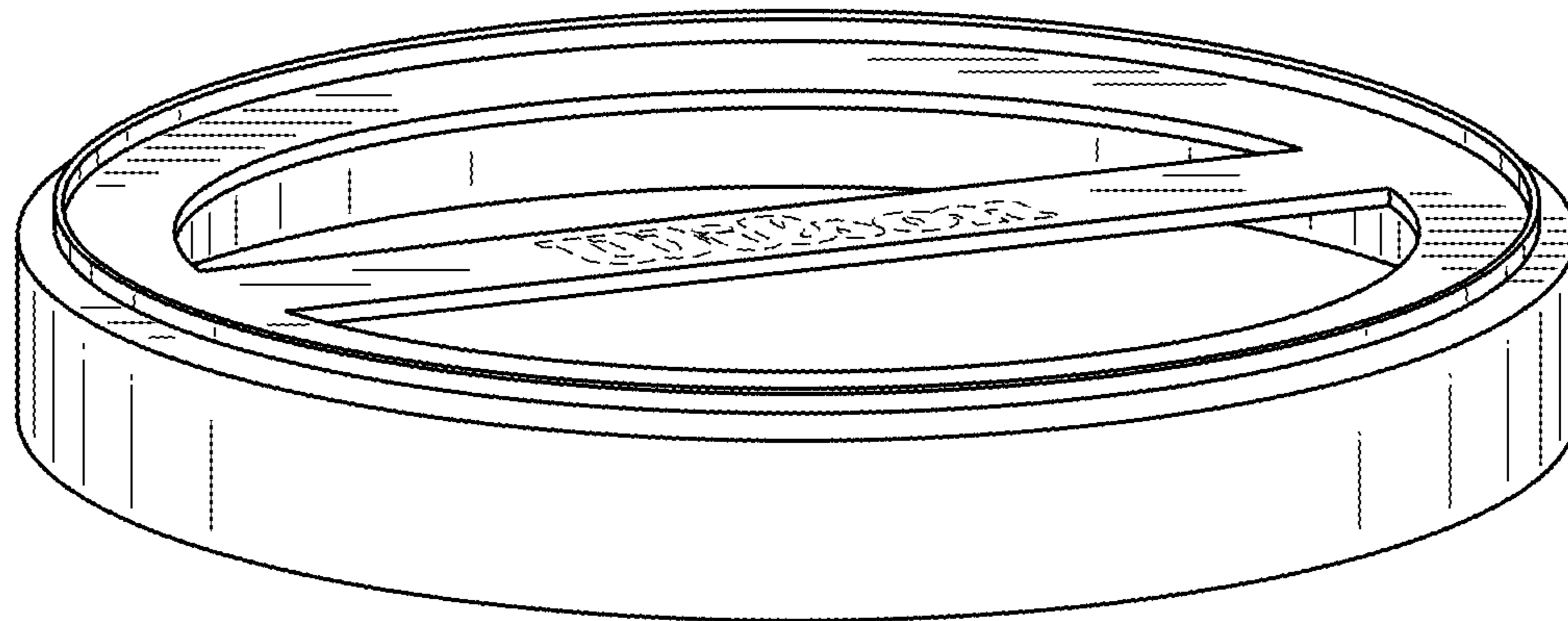


FIG. 2

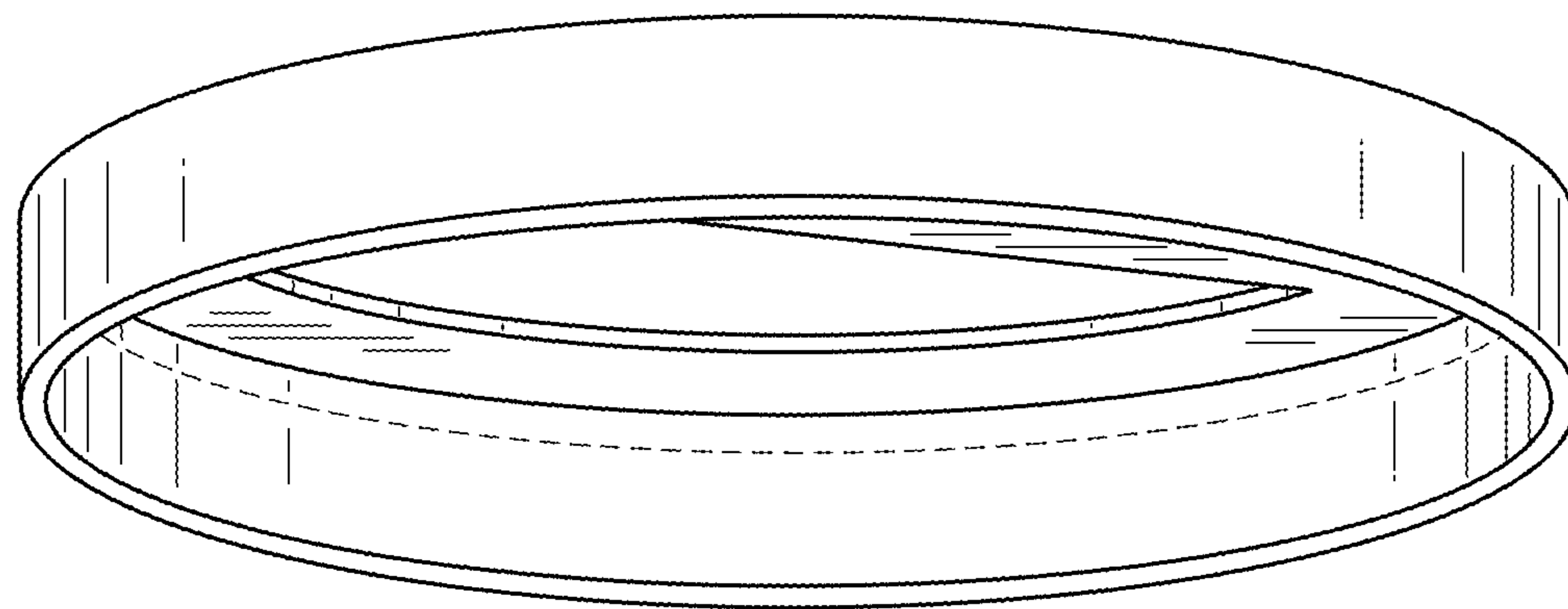


FIG. 3

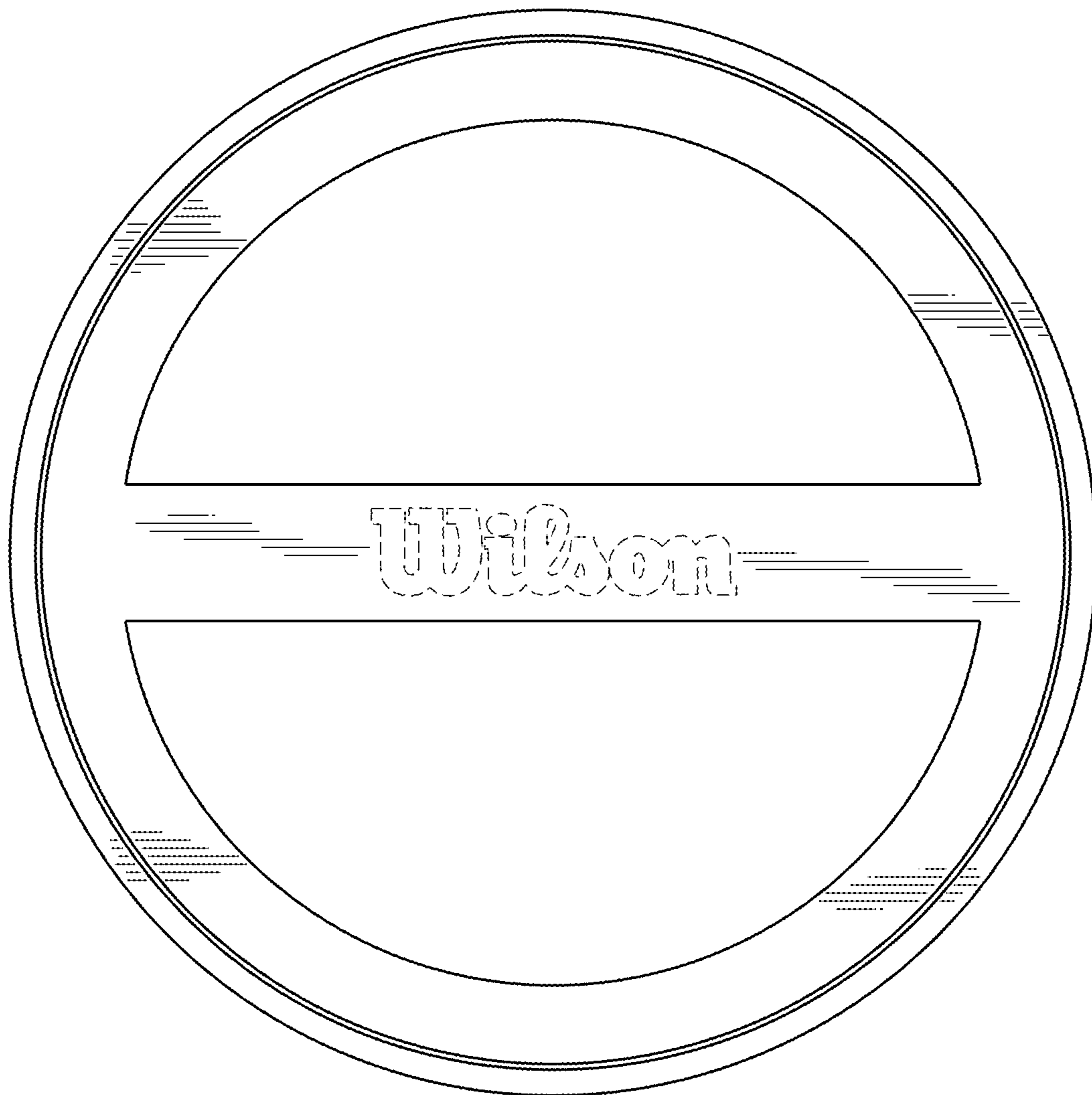


FIG. 4

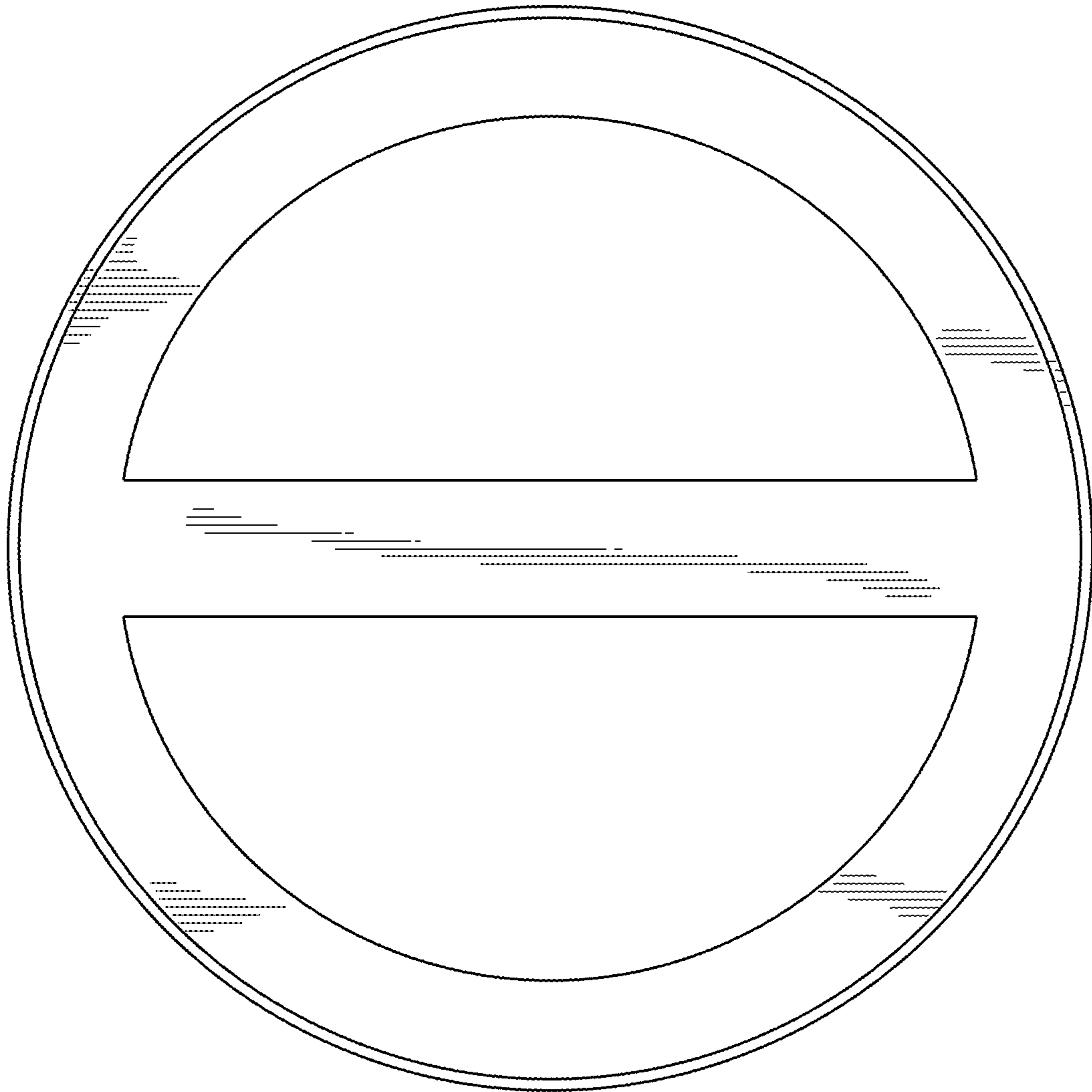


FIG. 5

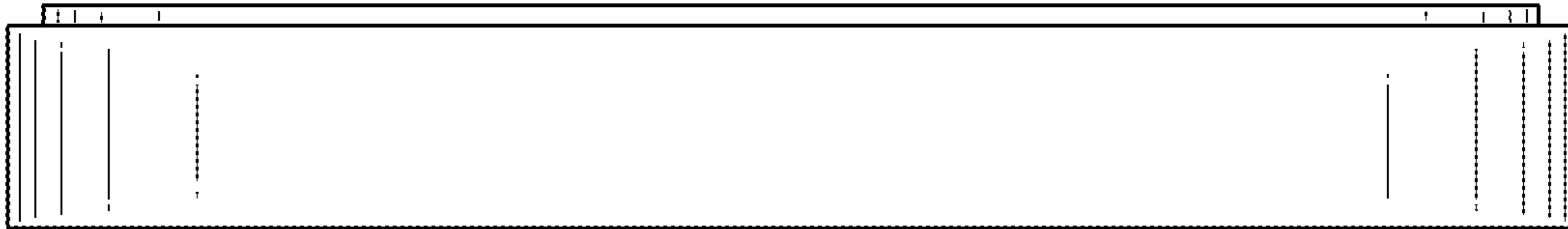


FIG. 6

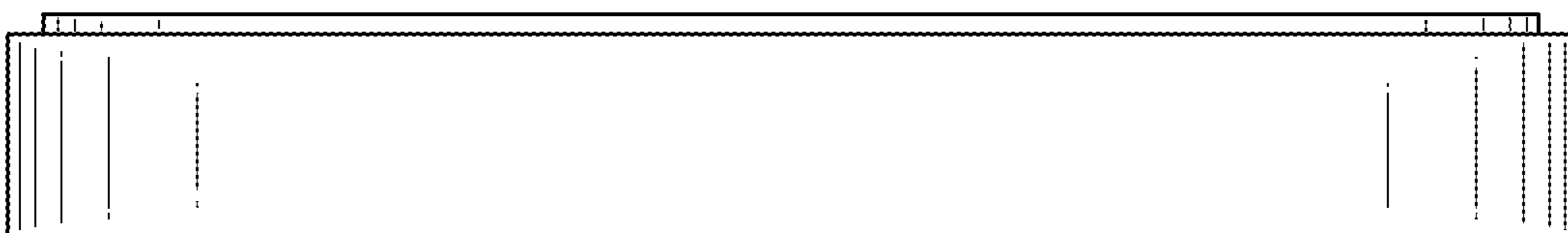


FIG. 7