



US00D952463S

(12) **United States Design Patent** (10) **Patent No.:** **US D952,463 S**  
**Oleynik** (45) **Date of Patent:** **\*\* May 24, 2022**

(54) **CONTAINER HANDLE**  
(71) Applicant: **Mark Oleynik**, Monaco (MC)  
(72) Inventor: **Mark Oleynik**, Monaco (MC)  
(\*\*) Term: **15 Years**  
(21) Appl. No.: **29/717,292**  
(22) Filed: **Dec. 16, 2019**  
(51) **LOC (13) Cl.** ..... **09-10**  
(52) **U.S. Cl.**  
USPC ..... **D9/443**; D7/394  
(58) **Field of Classification Search**  
USPC ..... D9/434, 435, 440, 443, 449, 455, 344;  
D7/394, 393; D8/300, 302, 303  
CPC .. B65D 25/28; B65D 23/106; B65D 25/2829;  
B65D 2501/0027; B65D 2501/0036; A47J  
45/10; A47J 45/00  
See application file for complete search history.

9,179,795 B1 \* 11/2015 Lee ..... A47J 45/061  
D746,679 S \* 1/2016 Jasso Gomez ..... D9/443  
9,277,836 B2 \* 3/2016 Dalton ..... A47J 37/10  
D811,161 S \* 2/2018 Boroski ..... D7/394  
D814,242 S \* 4/2018 Seiders ..... D7/523  
D817,087 S \* 5/2018 Silsby ..... D7/396.2  
D824,235 S \* 7/2018 Schneider ..... D8/308  
D825,257 S \* 8/2018 Jacobsen ..... D7/393  
D828,086 S \* 9/2018 Zhong ..... D7/393  
D854,383 S \* 7/2019 Felkins, Sr. .... D7/622

(Continued)

**FOREIGN PATENT DOCUMENTS**

CN 303528636 \* 12/2015  
EM 006392775-0001 \* 2/2019

**OTHER PUBLICATIONS**

Moley kitchen containers <https://moley.com/> Sep. 4, 2021 (Year: 2021).\*

(Continued)

*Primary Examiner* — Leanne Was-Englehart  
(74) *Attorney, Agent, or Firm* — Radlo & Su

(56) **References Cited**

**U.S. PATENT DOCUMENTS**

4,280,630 A \* 7/1981 Hafele ..... B65D 23/10  
215/398  
D272,134 S \* 1/1984 Hayes ..... D9/434  
D272,234 S \* 1/1984 Hayes ..... D9/434  
4,993,767 A \* 2/1991 Song ..... A47J 45/10  
220/736  
5,704,092 A \* 1/1998 Nicollet ..... A47J 45/10  
16/425  
D496,584 S \* 9/2004 Darr ..... B65D 23/106  
D8/307  
D527,578 S \* 9/2006 Schmidt ..... D7/393  
D598,747 S \* 8/2009 Caldwell ..... D9/435  
7,581,770 B2 \* 9/2009 Jones ..... A47J 45/078  
220/758  
D621,208 S \* 8/2010 Gilbert ..... D7/394  
D623,011 S \* 9/2010 Gilbert ..... D7/394  
D681,392 S \* 5/2013 Dichraff ..... D7/393  
8,905,262 B2 \* 12/2014 Shull ..... B65D 51/007  
220/737  
D740,510 S \* 10/2015 Arvinte ..... D32/54

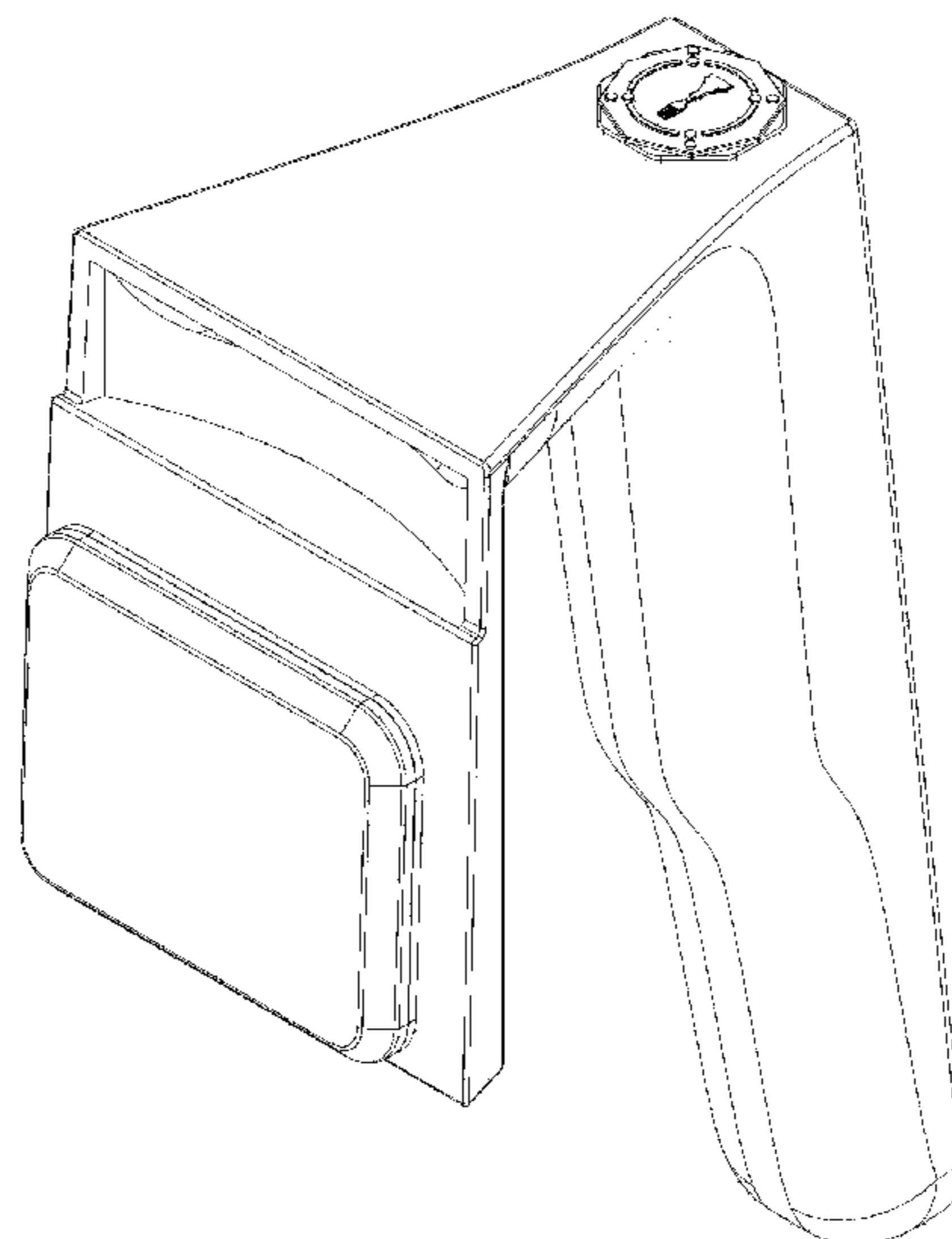
(57) **CLAIM**

The ornamental design for a container handle, as shown and described.

**DESCRIPTION**

FIG. 1 is a rear view of a container handle.  
FIG. 2 is a bottom view thereof.  
FIG. 3 is a front view thereof.  
FIG. 4 is a top, rear, left perspective view thereof.  
FIG. 5 is a top, front, left perspective view thereof.  
FIG. 6 is a left view thereof.  
FIG. 7 is a right view thereof; and,  
FIG. 8 is a top view thereof.

**1 Claim, 8 Drawing Sheets**



(56)

**References Cited**

U.S. PATENT DOCUMENTS

D856,759 S \* 8/2019 Ahn ..... D7/622  
 D862,159 S \* 10/2019 Poul ..... D7/398  
 D868,942 S \* 12/2019 Eads ..... D23/250  
 D871,906 S \* 1/2020 Ramsey ..... D9/454  
 D875,928 S \* 2/2020 Zagatsky ..... D24/135  
 D878,203 S \* 3/2020 Luther ..... D9/443  
 D878,522 S \* 3/2020 Eads ..... D23/252  
 D879,916 S \* 3/2020 Staler ..... D23/252  
 D898,509 S \* 10/2020 Barberi ..... D7/393  
 2007/0272651 A1 \* 11/2007 DiPasquale ..... B65D 23/104  
 215/396  
 2007/0272652 A1 \* 11/2007 Beale ..... B29C 49/0073  
 215/398  
 2013/0206790 A1 \* 8/2013 Pauze ..... A47G 23/0258  
 222/105  
 2015/0041480 A1 \* 2/2015 Ramsey ..... B65D 25/2817  
 220/758

2015/0108152 A1 \* 4/2015 Franzen ..... B65D 25/2817  
 220/758  
 2016/0075480 A1 \* 3/2016 Pulst ..... A47G 23/0216  
 220/755  
 2017/0096258 A1 \* 4/2017 Seiders ..... F16L 59/06  
 2017/0253379 A1 \* 9/2017 Wangler ..... A47J 45/072  
 2017/0349331 A1 \* 12/2017 Choltco-Devlin .....  
 B65D 25/2817  
 2018/0002067 A1 \* 1/2018 Wangler ..... B44D 3/14  
 2018/0093236 A1 \* 4/2018 Johnson ..... B65D 47/06  
 2018/0118552 A1 \* 5/2018 Locke ..... B67D 3/0029

OTHER PUBLICATIONS

Moley containers Twitter <https://twitter.com/moleyrobotics?lang=de> Jul. 22, 2021 (Year: 2021).\*  
 Moley Robotic Kitchen YouTube <https://www.youtube.com/watch?v=PvxrM0-qhlQ> Jan. 10, 2021 (Year: 2021).\*

\* cited by examiner

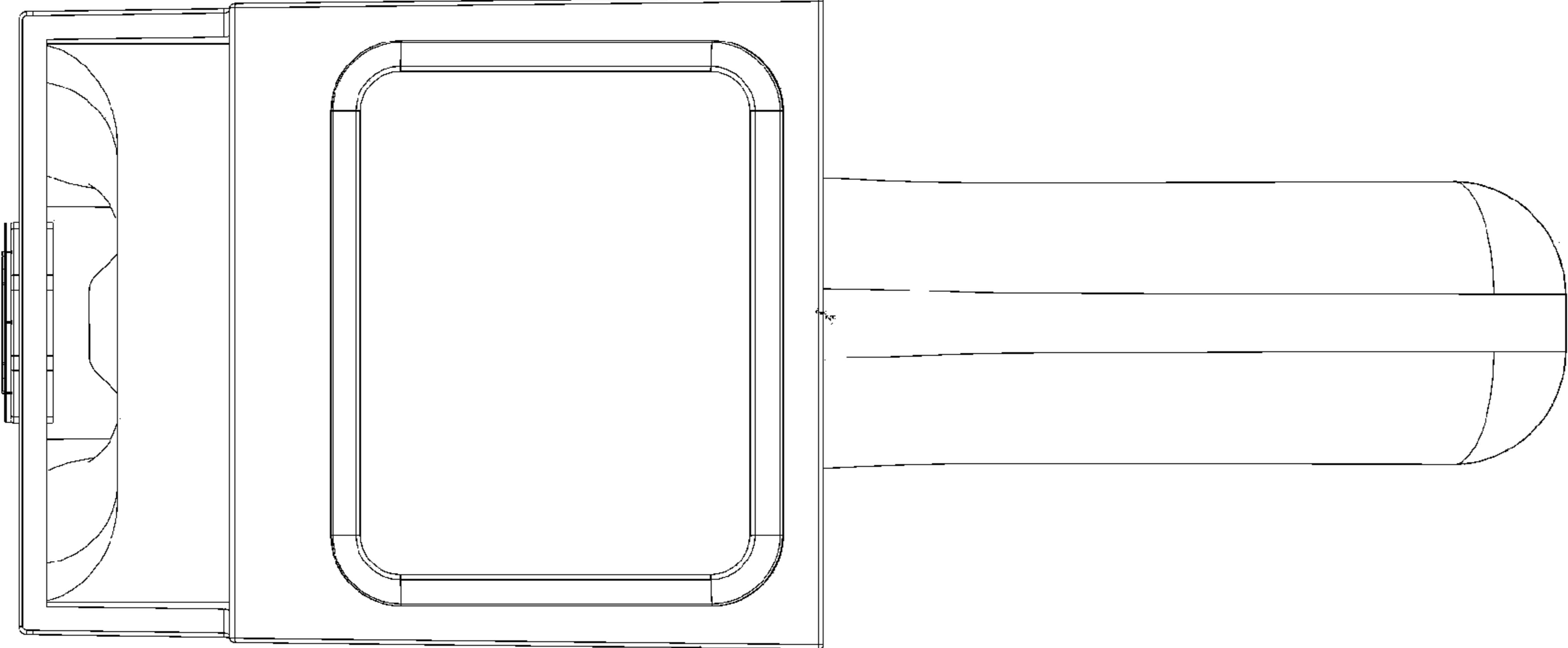


FIG.1

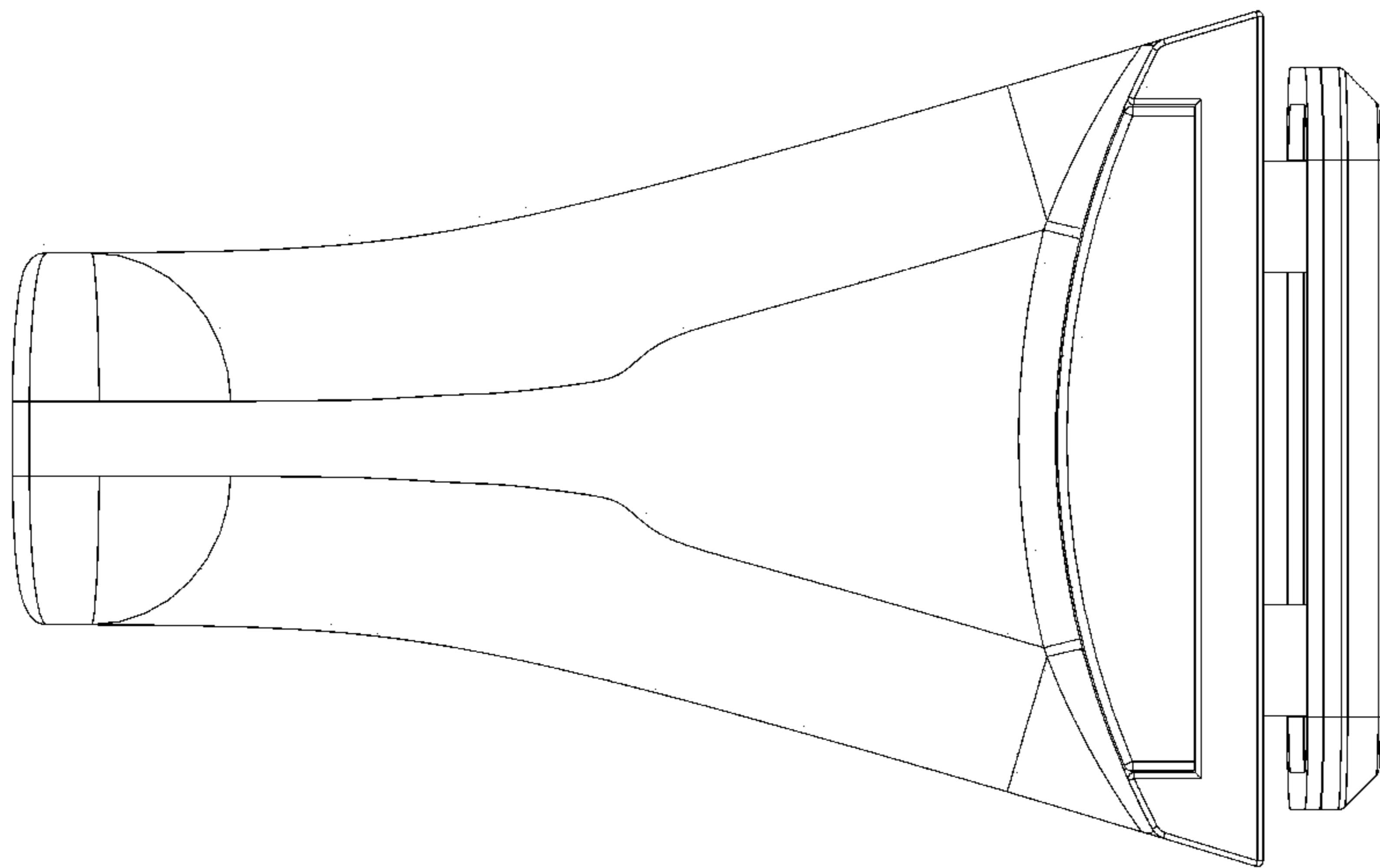


FIG.2



FIG.3

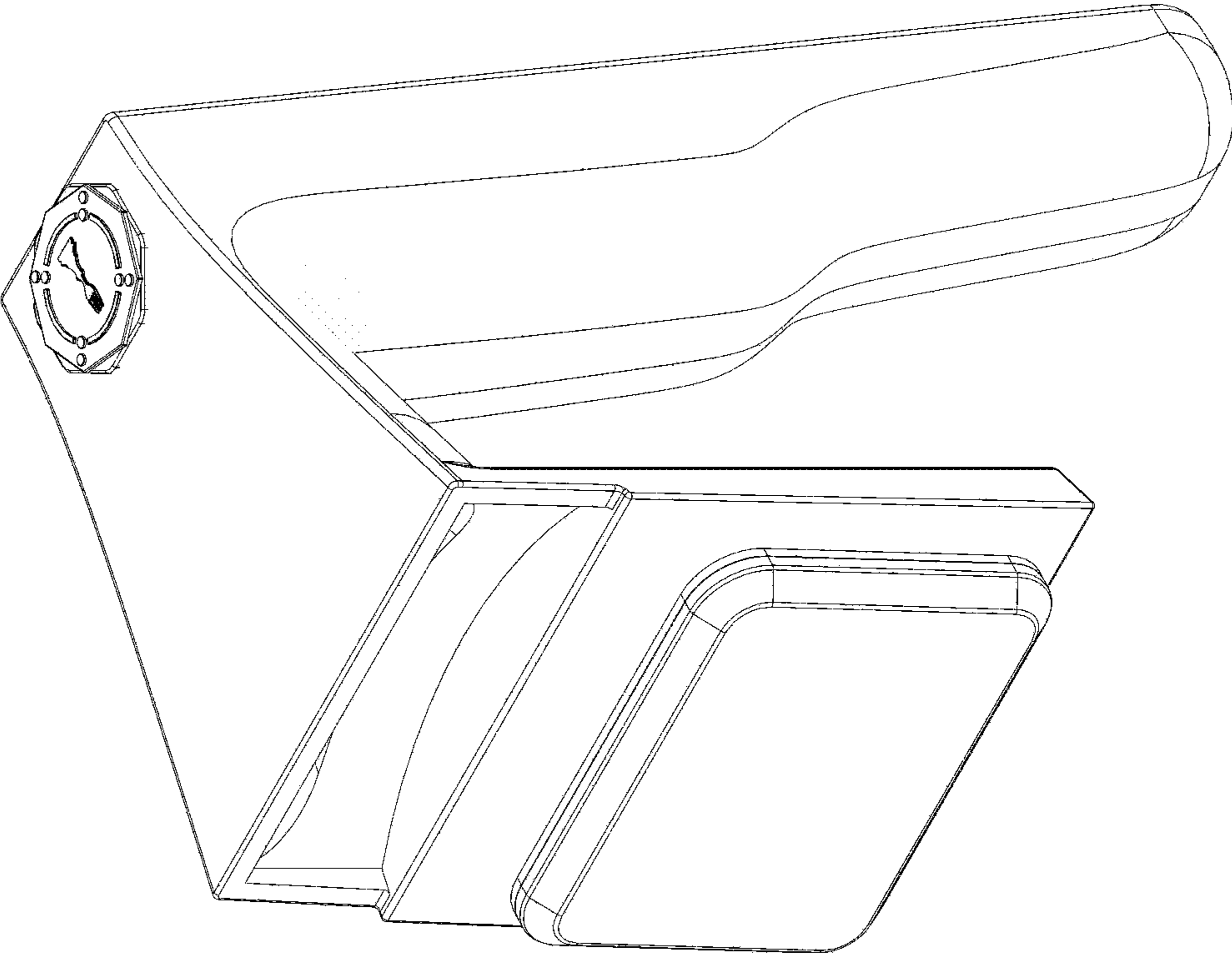


FIG.4

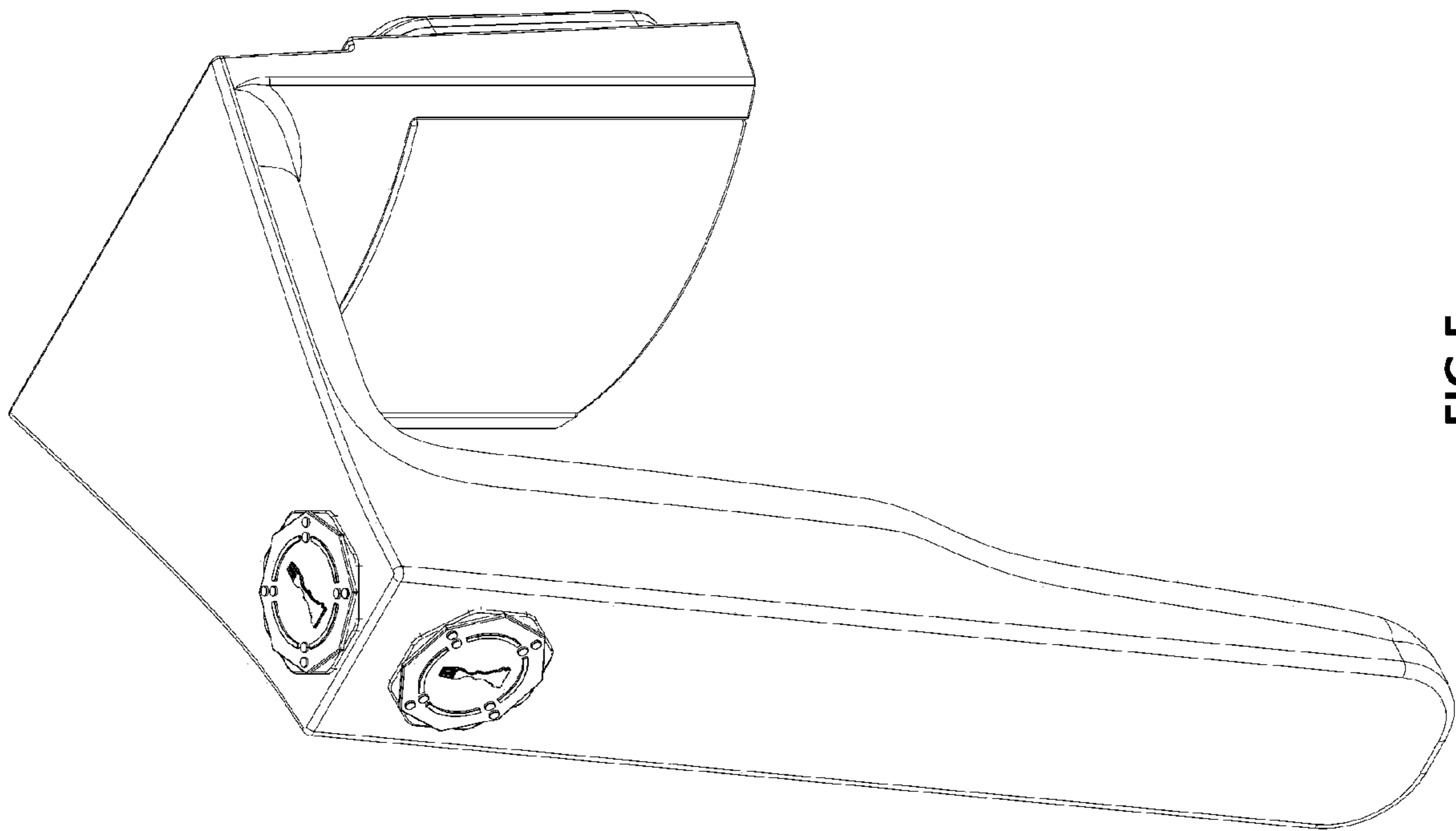


FIG.5

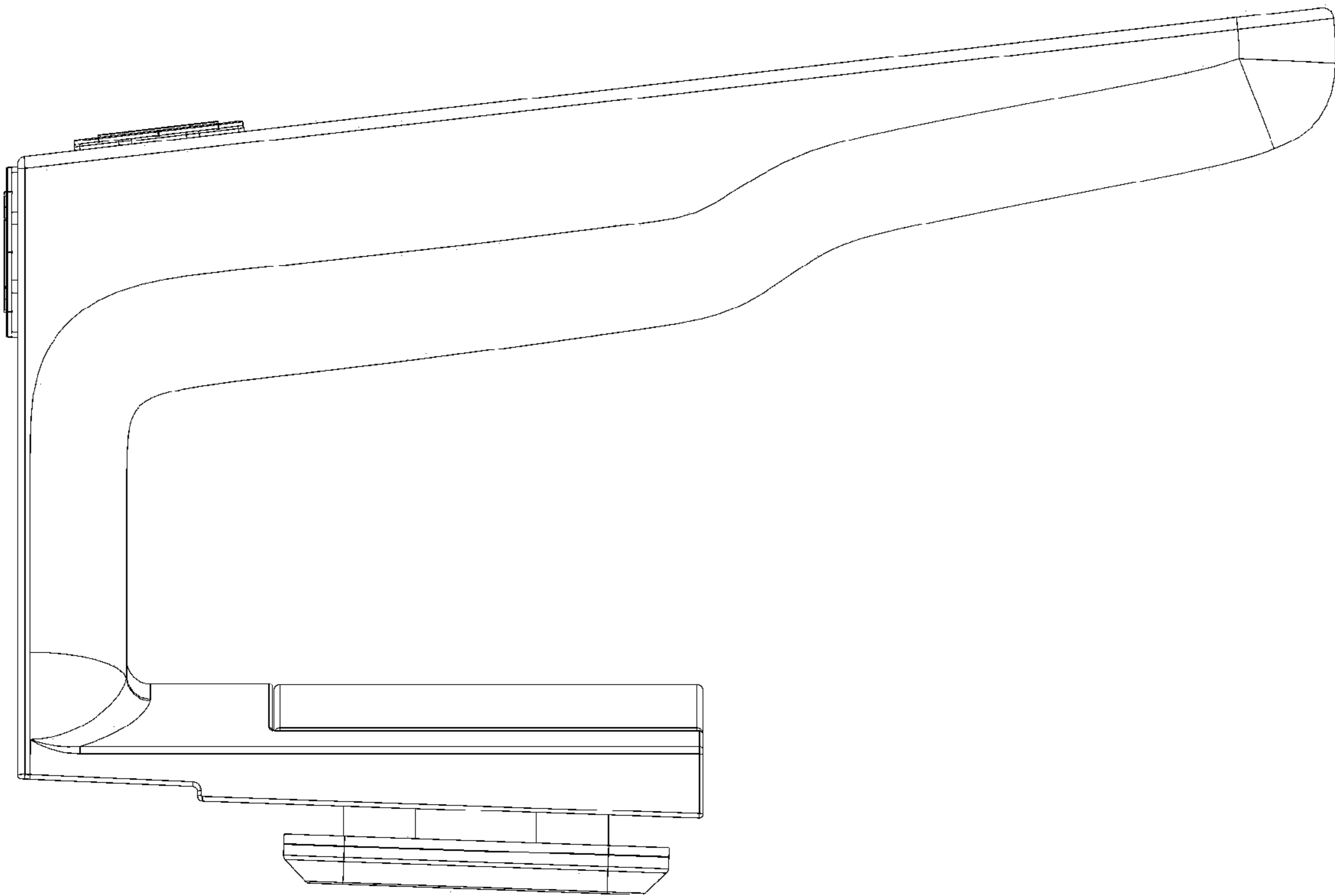


FIG.6



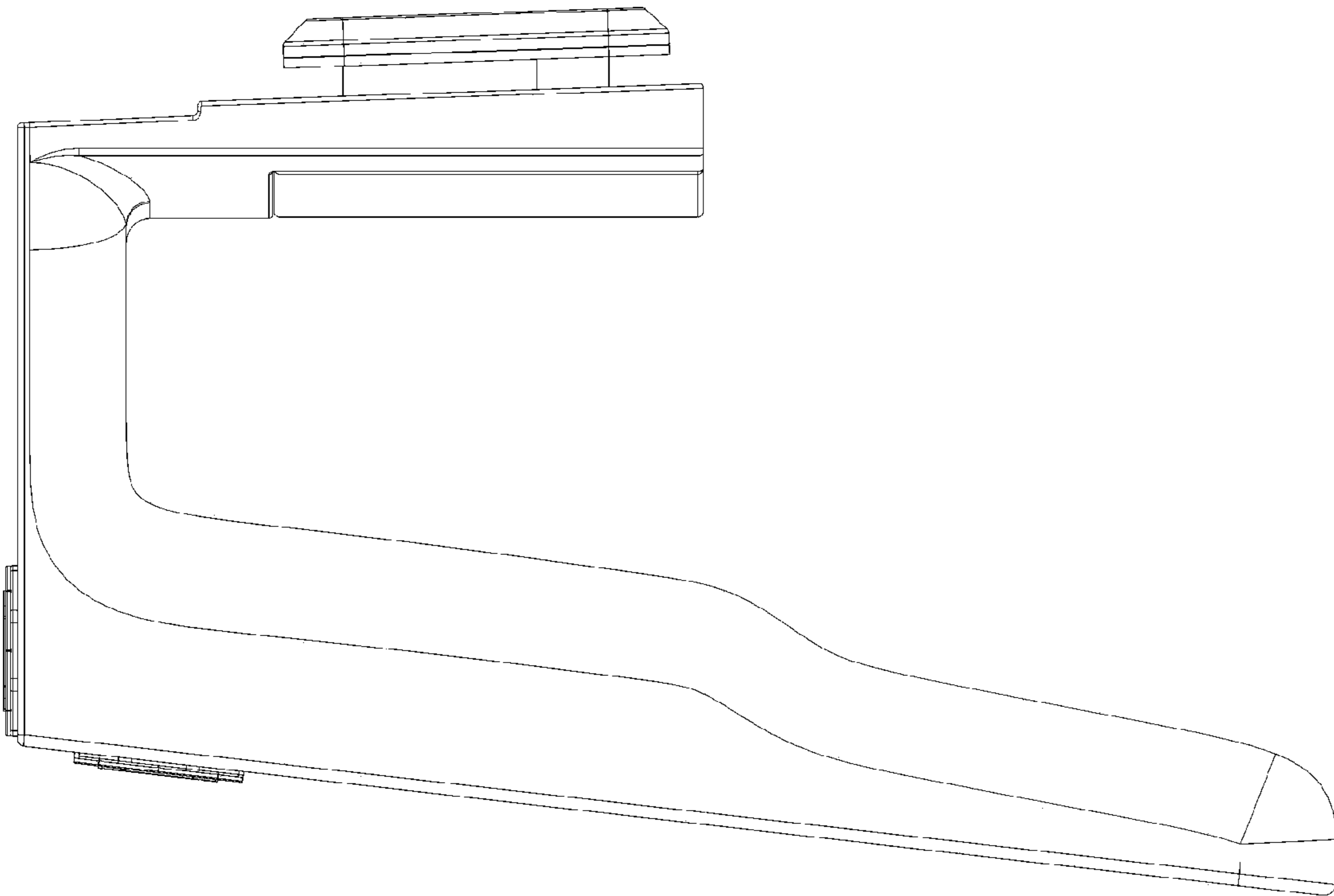


FIG.7

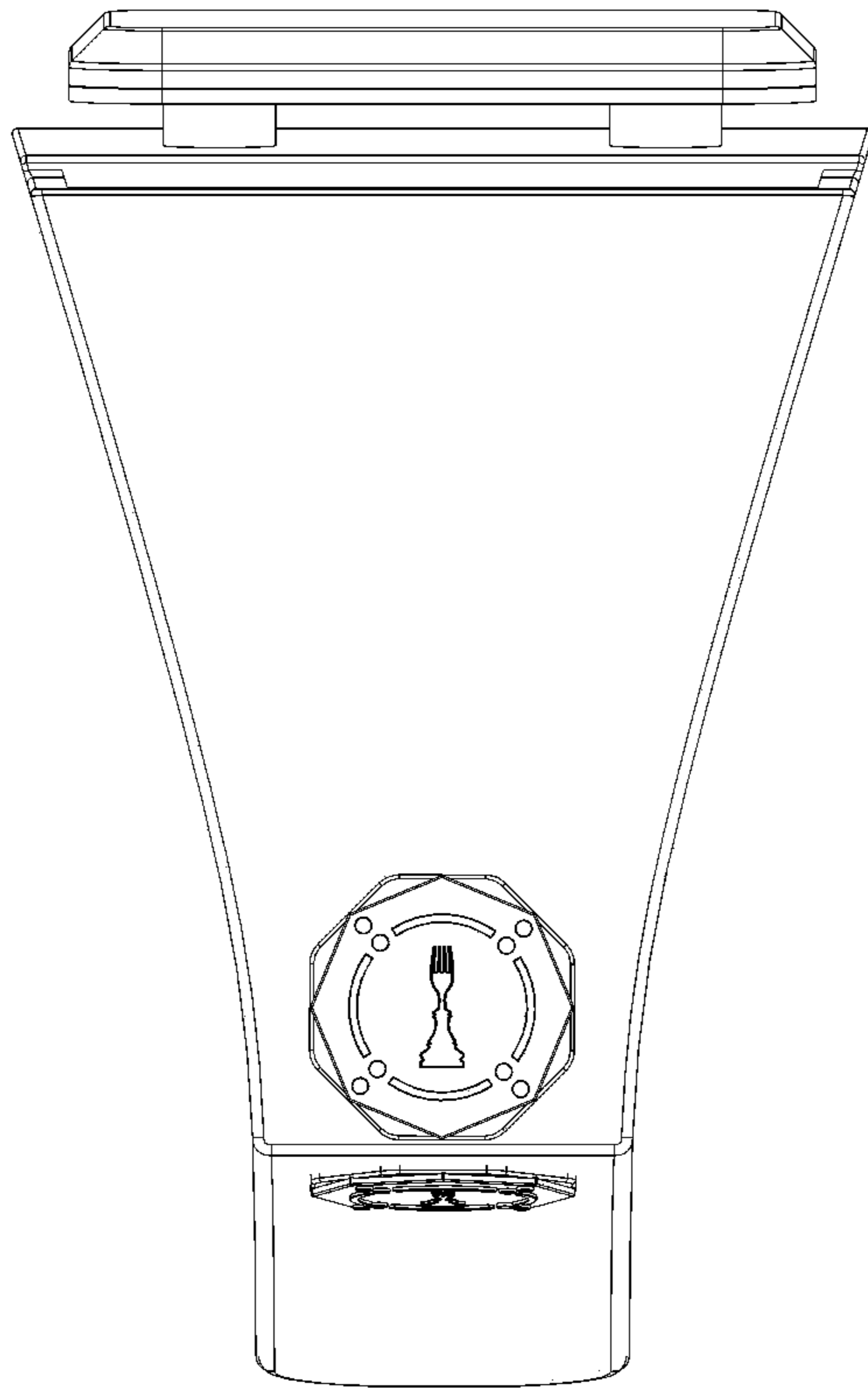


FIG.8