



US00D952461S

(12) **United States Design Patent** (10) **Patent No.:** **US D952,461 S**
Thai (45) **Date of Patent:** **** May 24, 2022**

- (54) **CAP FOR USE WITH BUBBLE SOLUTION CONTAINER**
- (71) Applicant: **Placo Bubbles Limited**, Kowloon (HK)
- (72) Inventor: **Douglas Thai**, Kowloon (HK)
- (73) Assignee: **Placo Bubbles Limited**, Hong Kong (HK)
- (**) Term: **15 Years**
- (21) Appl. No.: **29/726,291**
- (22) Filed: **Mar. 2, 2020**
- (51) **LOC (13) Cl.** **09-07**
- (52) **U.S. Cl.**
USPC **D9/436; D9/454**
- (58) **Field of Classification Search**
USPC D7/392, 392.1, 396.2; D9/434–436, 439, D9/440, 443–447, 449, 452, 454, 499; D23/233, 249, 259, 262–266, 393; D32/31
CPC A63H 33/28
See application file for complete search history.

2004/0266309	A1*	12/2004	Thai	A63H 33/28 446/15
2006/0094325	A1*	5/2006	Thai	A63H 33/28 446/16
2017/0152078	A1*	6/2017	Abate	B65D 43/0249
2020/0061487	A1*	2/2020	Thai	A63H 33/28
2020/0155957	A1*	5/2020	Clayton	A63H 33/28
2020/0187473	A1*	6/2020	Deguchi	A01K 89/01123

OTHER PUBLICATIONS

Amazon. ArtCreativity Double Bubble Blower Fan—Battery-Operated Bubbles Blaster—4oz Solution and Dipping Tray Included—Fun Bubble Blowing Shooter for Boys and Girls, Great Outdoor Summer Game—Green. Oct. 11, 2019. <https://amzn.to/3pu4vod> (Year: 2019).*

* cited by examiner

Primary Examiner — Darcey E Gottschalk
(74) *Attorney, Agent, or Firm* — Raymond Sun

(57) **CLAIM**

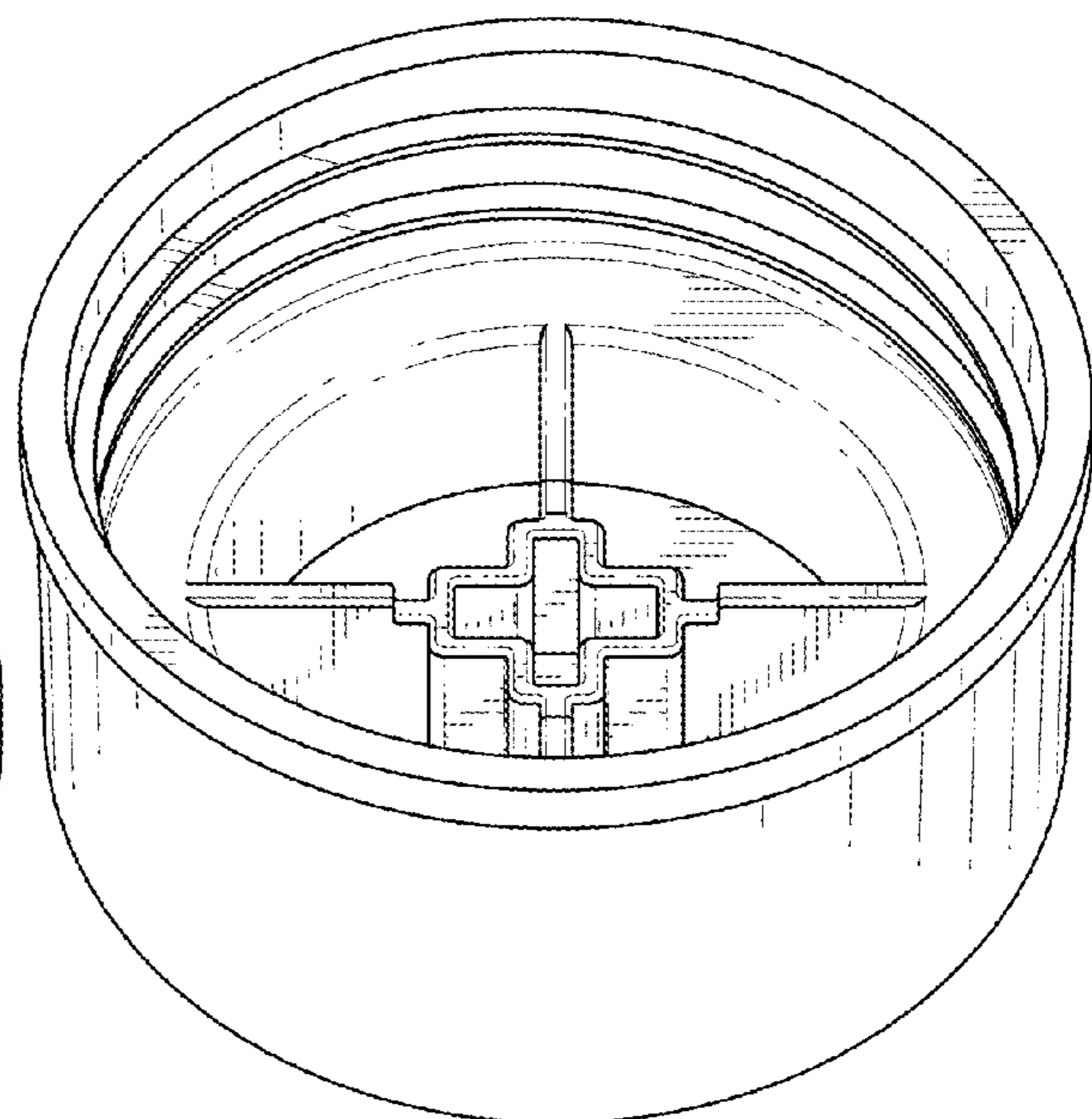
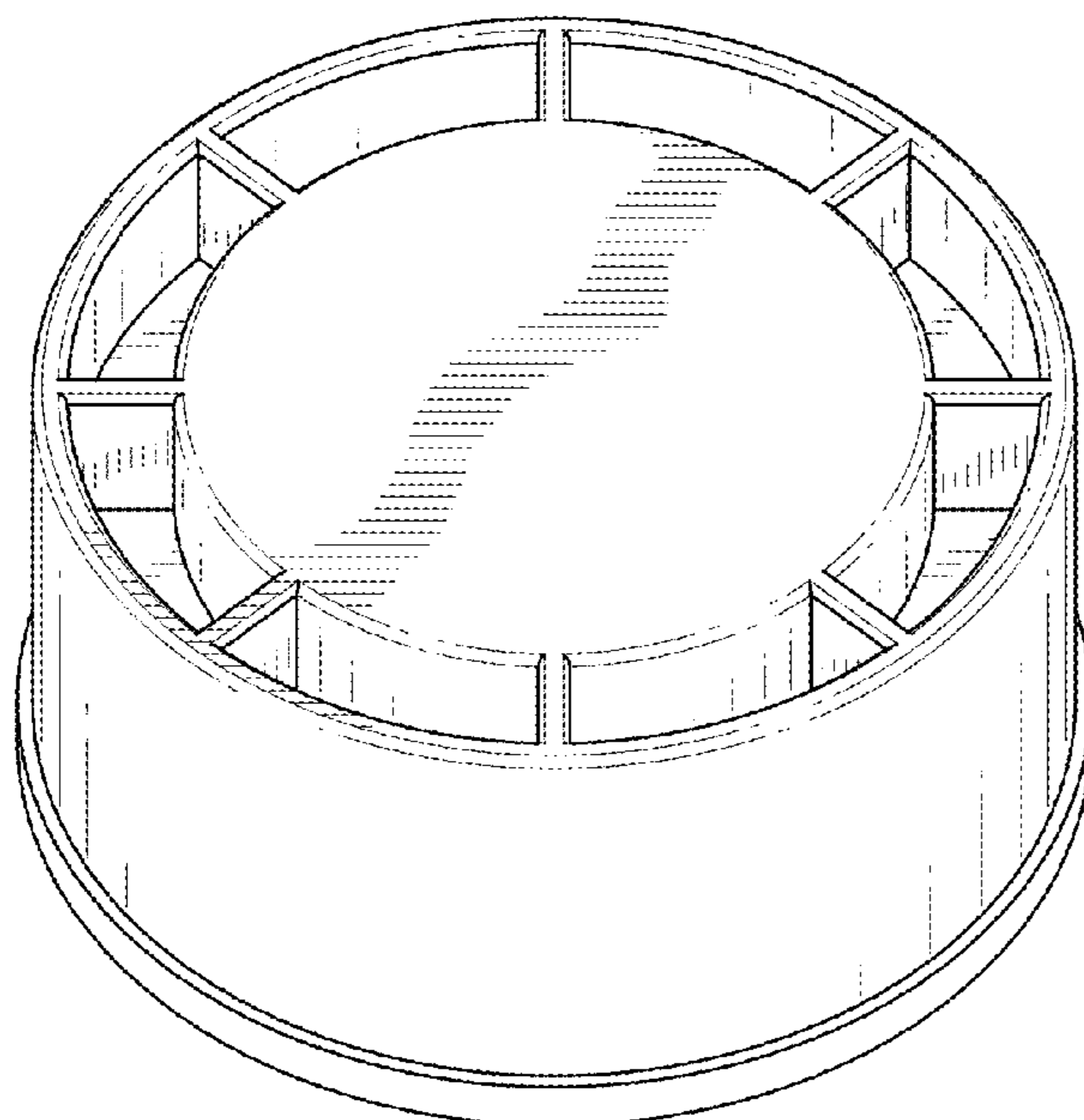
The ornamental design for a cap for use with bubble solution container, as shown and described.

DESCRIPTION

FIG. 1 is a top perspective view of a cap for use with bubble solution container according to my new design. FIG. 2 is a bottom perspective view of the cap of FIG. 1. FIG. 3 is a front view of the cap of FIG. 1, the rear view, left view and right view being symmetrical thereto. FIG. 4 is a top view of the cap of FIG. 1. FIG. 5 is a bottom view of the cap of FIG. 1; and, FIG. 6 is a bottom perspective view of the cap of FIG. 1 shown with a bubble wand secured thereto. In the drawings, the broken lines depict environment that forms no part of the claimed design.

1 Claim, 6 Drawing Sheets

- (56) **References Cited**
- U.S. PATENT DOCUMENTS
- 664,950 A * 1/1901 Hewlings F16L 9/18
138/111
- 8,267,736 B2 * 9/2012 Lam A63H 33/28
446/19
- D823,442 S * 7/2018 Sugatani D23/262
- D850,258 S * 6/2019 Savenok D9/447
- 10,363,492 B1 * 7/2019 Thai A63H 33/28
- 10,702,788 B2 * 7/2020 Thai A63H 33/28
- D911,102 S * 2/2021 Ozturk D7/392.1
- D917,963 S * 5/2021 Ozturk D7/392.1
- D927,807 S * 8/2021 Yang D32/31
- D933,321 S * 10/2021 Fitzsimmons D32/31



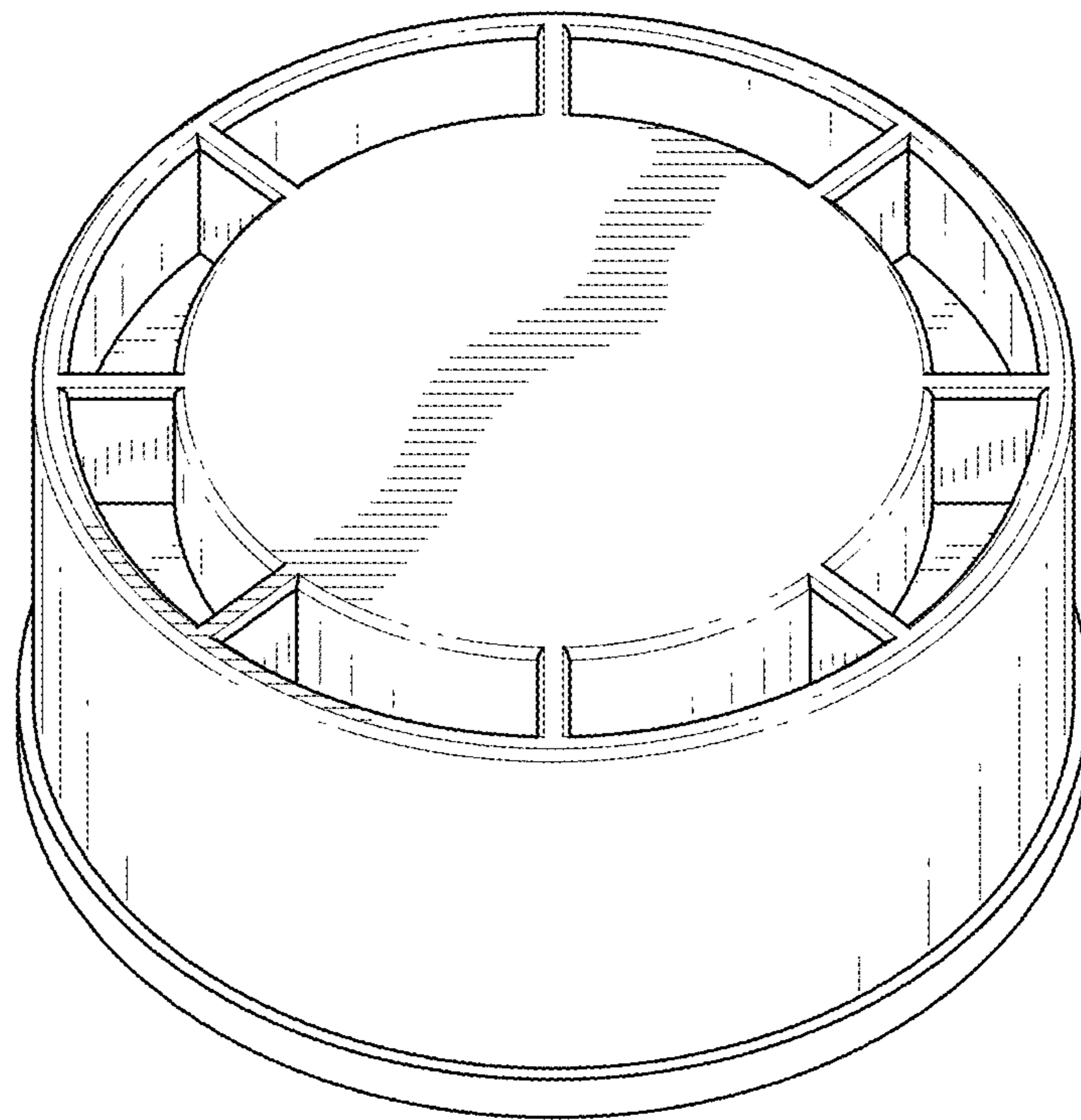


FIG. 1

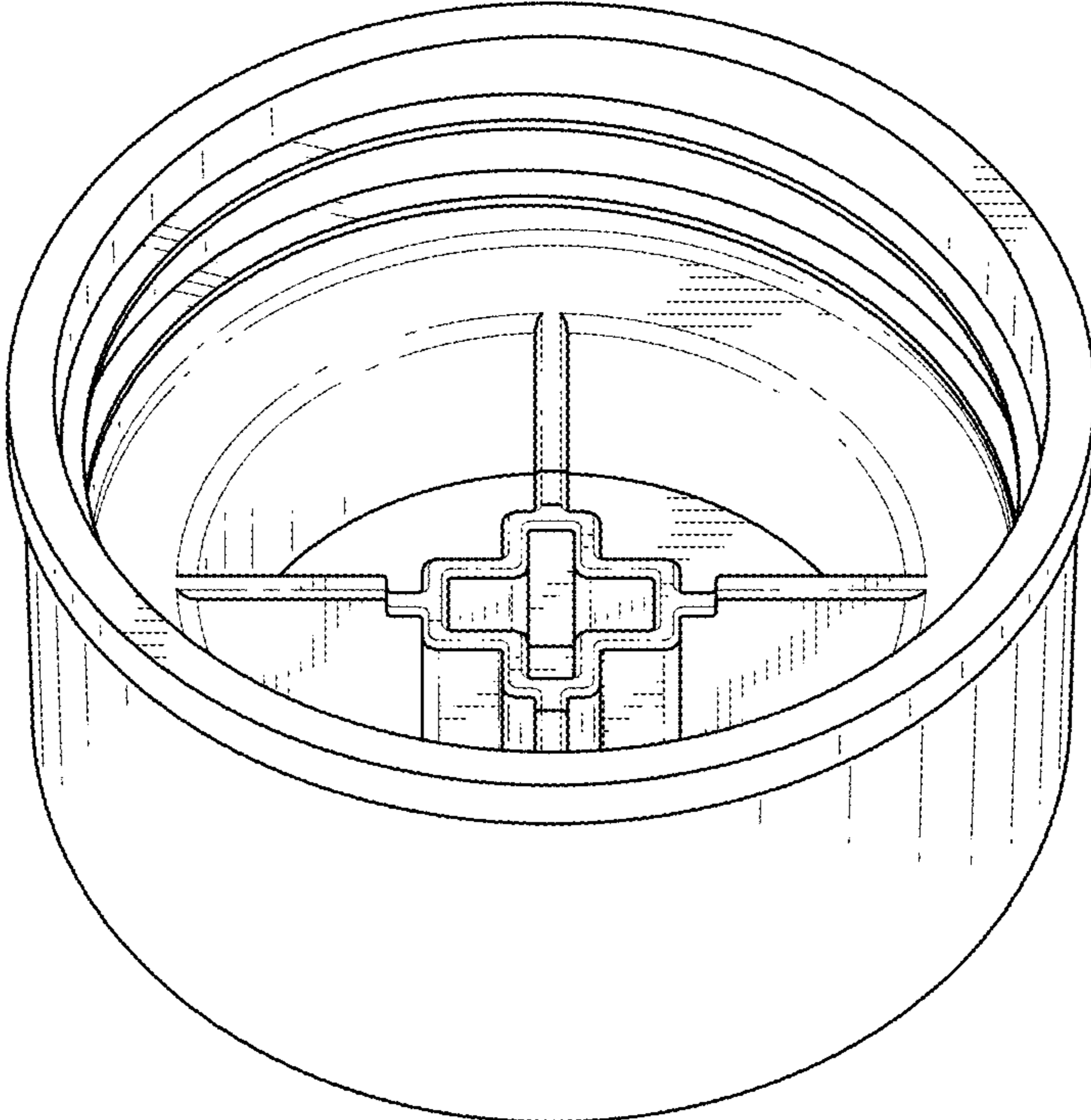


FIG.2

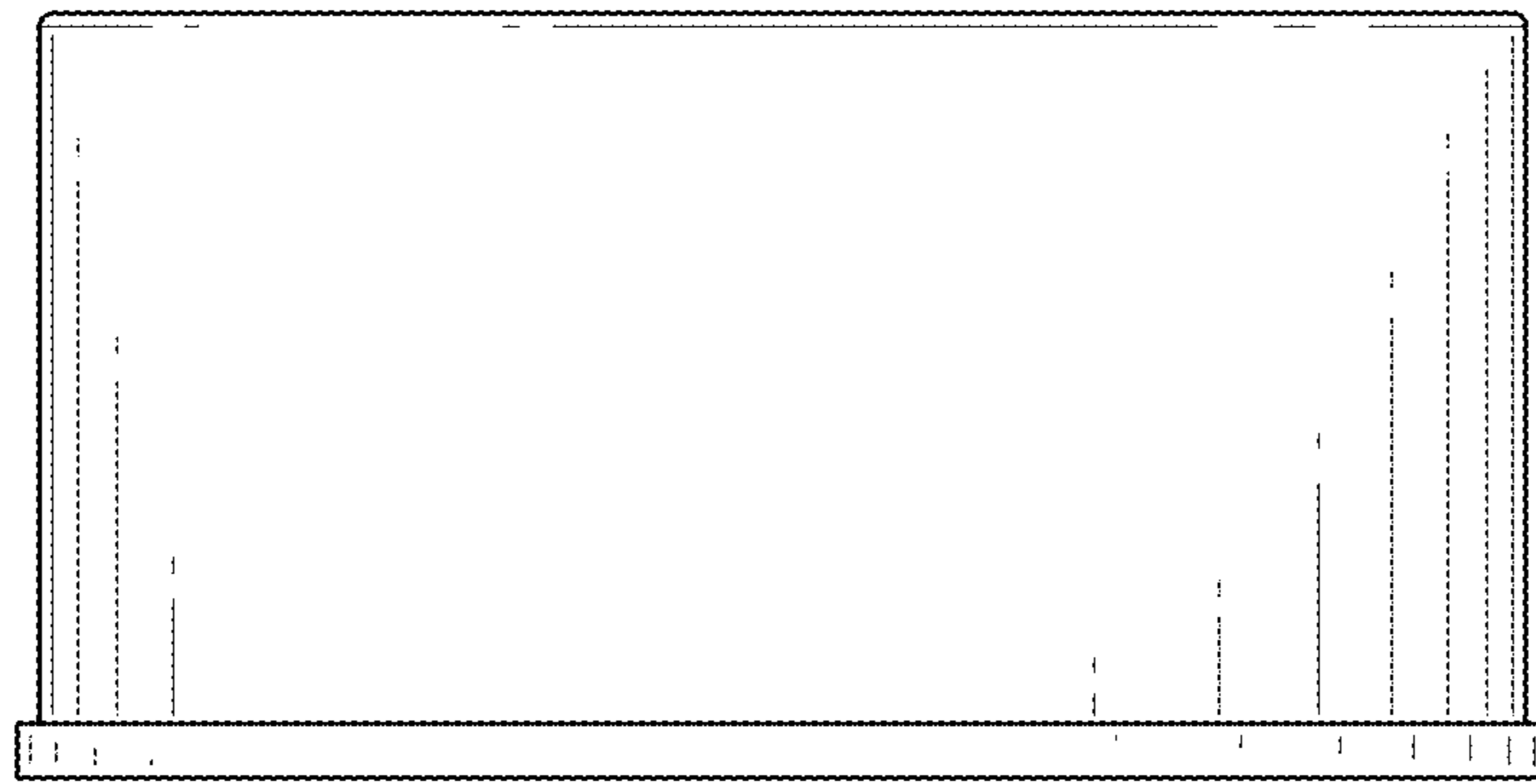


FIG. 3

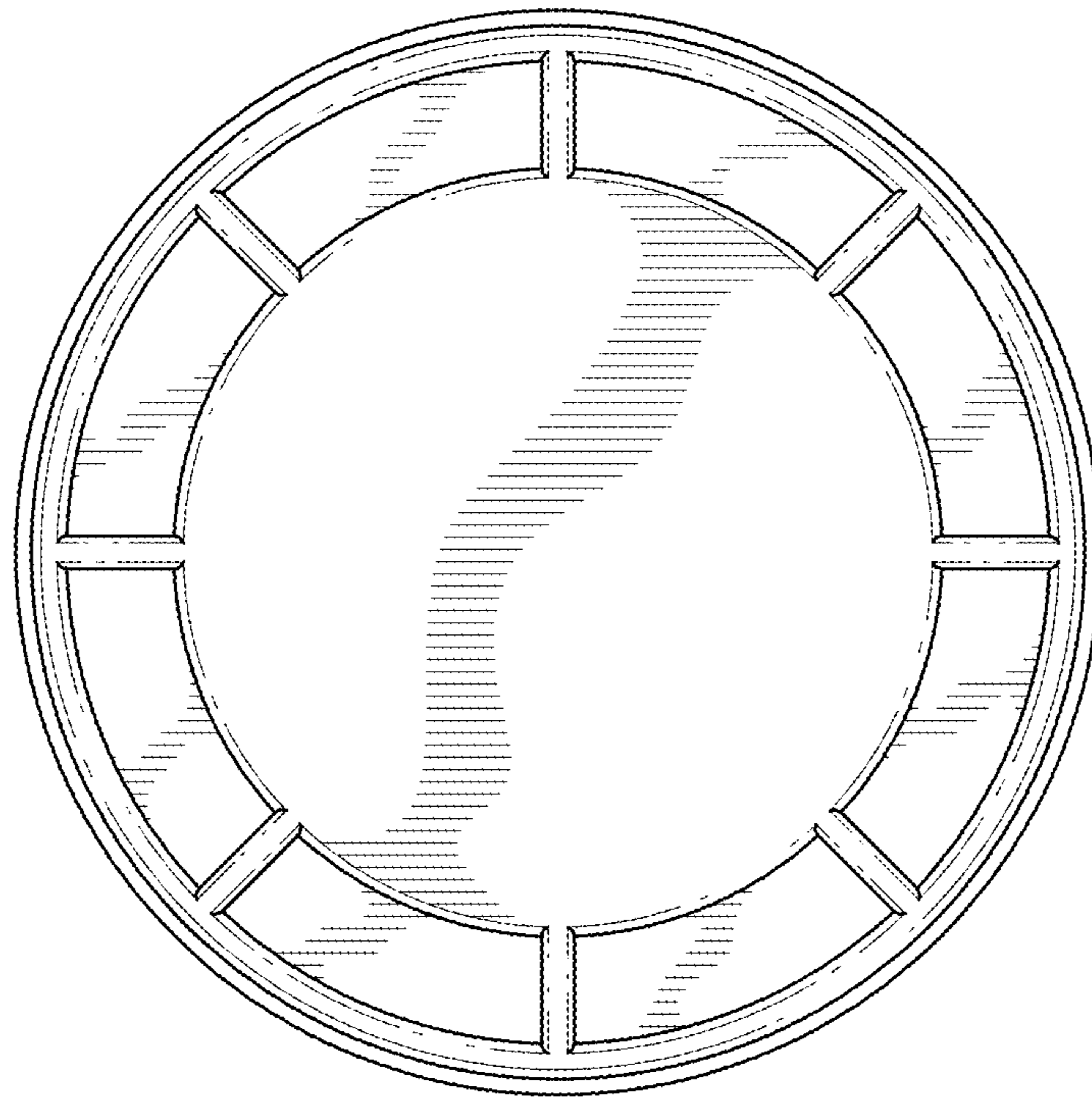


FIG. 4

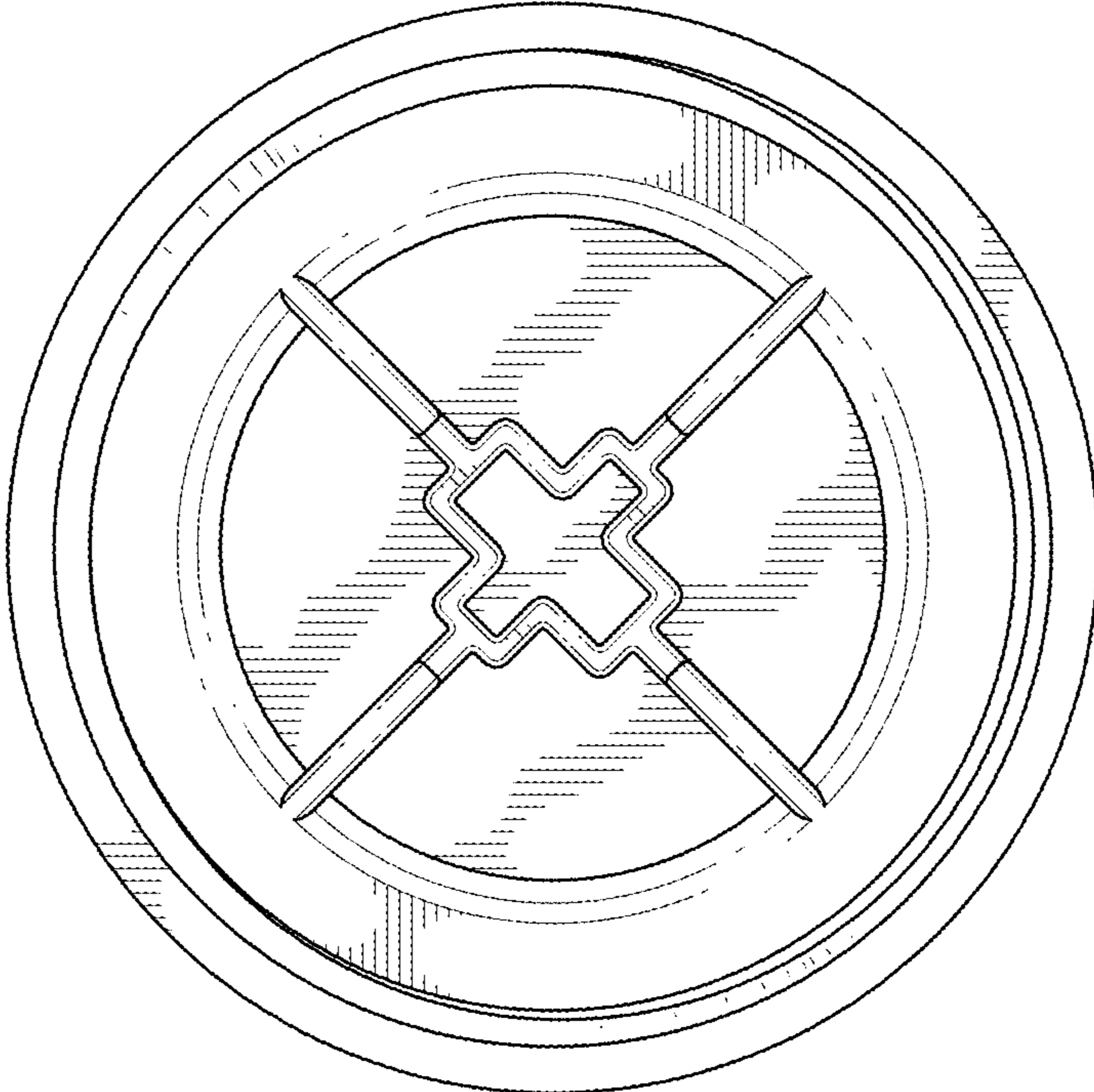


FIG. 5

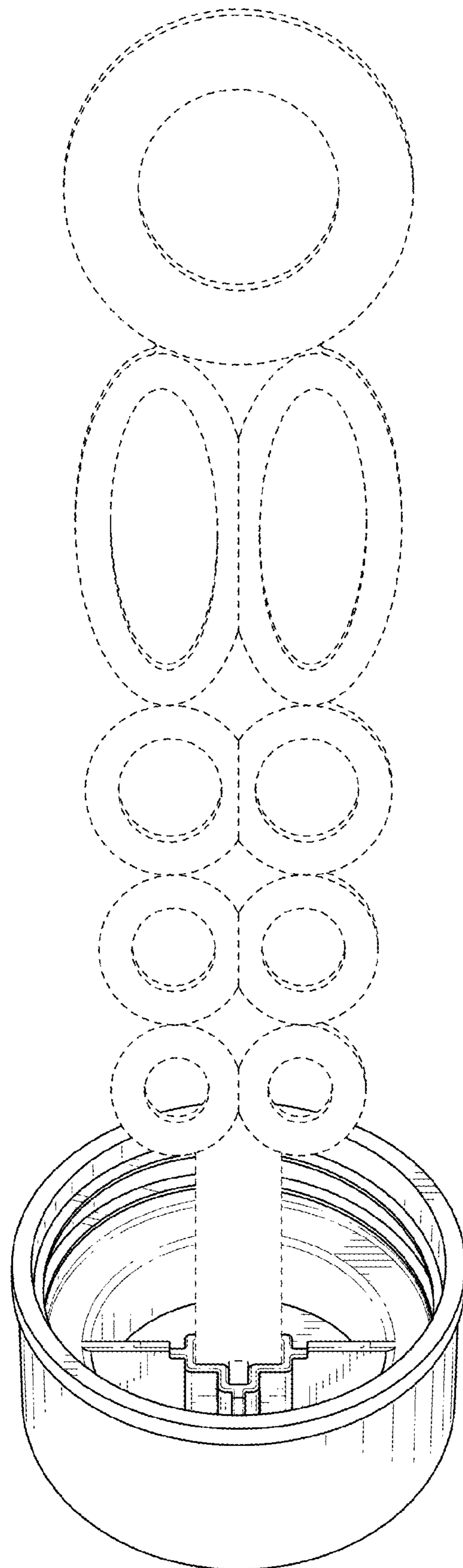


FIG. 6