



US00D952460S

(12) **United States Design Patent**  
**Beeravu**

(10) **Patent No.:** **US D952,460 S**

(45) **Date of Patent:** **\*\* May 24, 2022**

(54) **TAMPER EVIDENT CONTAINER**

(71) Applicant: **Hotpack Packaging Industries LLC**,  
Dubai (AE)

(72) Inventor: **Anvar Puthiyaveettil Beeravu**, Dubai  
(AE)

(73) Assignee: **Hotpack Packaging Industries LLC**,  
Dubai (AE)

(\*\*) Term: **15 Years**

(21) Appl. No.: **29/757,394**

(22) Filed: **Nov. 5, 2020**

(51) **LOC (13) Cl.** ..... **09-03**

(52) **U.S. Cl.**  
USPC ..... **D9/423**

(58) **Field of Classification Search**  
USPC ..... D9/414, 420-424, 425, 432, 434, 737,  
D9/761; D7/602, 629, 703  
CPC ..... B65D 43/162; B65D 2543/00296; B65D  
2543/00101; B65D 2543/0062; B65D  
2543/00194; B65D 2543/00324; B65D  
2251/105  
See application file for complete search history.

(56) **References Cited**

**U.S. PATENT DOCUMENTS**

D668,537 S *	10/2012	Sanfilippo	.....	D9/425
D668,950 S *	10/2012	Sanfilippo	.....	D9/425
D673,847 S *	1/2013	Barbier	.....	D9/420
D697,795 S *	1/2014	Garza	.....	D9/425
D774,901 S *	12/2016	Geheran	.....	D9/423
D781,698 S *	3/2017	Koroukian	.....	D9/420
2014/0041343 A1 *	2/2014	Corbett	.....	B65D 43/162 53/492

(Continued)

*Primary Examiner* — Lauren R Calve

(74) *Attorney, Agent, or Firm* — Avek IP, LLC

(57) **CLAIM**

The ornamental design for a tamper evident container, as shown and described.

**DESCRIPTION**

FIG. 1 is a perspective view of a tamper evident container showing the new design in an open state.

FIG. 2 is another perspective view of the tamper evident container of FIG. 1 in the open state.

FIG. 3 is a front view of the tamper evident container of FIG. 1 in the open state.

FIG. 4 is a rear view of the tamper evident container of FIG. 1 in the open state.

FIG. 5 is a side view of the tamper evident container of FIG. 1 in the open state.

FIG. 6 is an opposite side view of the tamper evident container of FIG. 1 in the open state.

FIG. 7 is a top view of the tamper evident container of FIG. 1 in the open state.

FIG. 8 is a bottom view of the tamper evident container of FIG. 1 in the open state.

FIG. 9 is a perspective view of the tamper evident container of FIG. 1 in a closed state.

FIG. 10 is another perspective view of the tamper evident container of FIG. 1 in the closed state.

FIG. 11 is a front view of the tamper evident container of FIG. 1 in the closed state.

FIG. 12 is a rear view of the tamper evident container of FIG. 1 in the closed state.

FIG. 13 is a side view of the tamper evident container of FIG. 1 in the closed state.

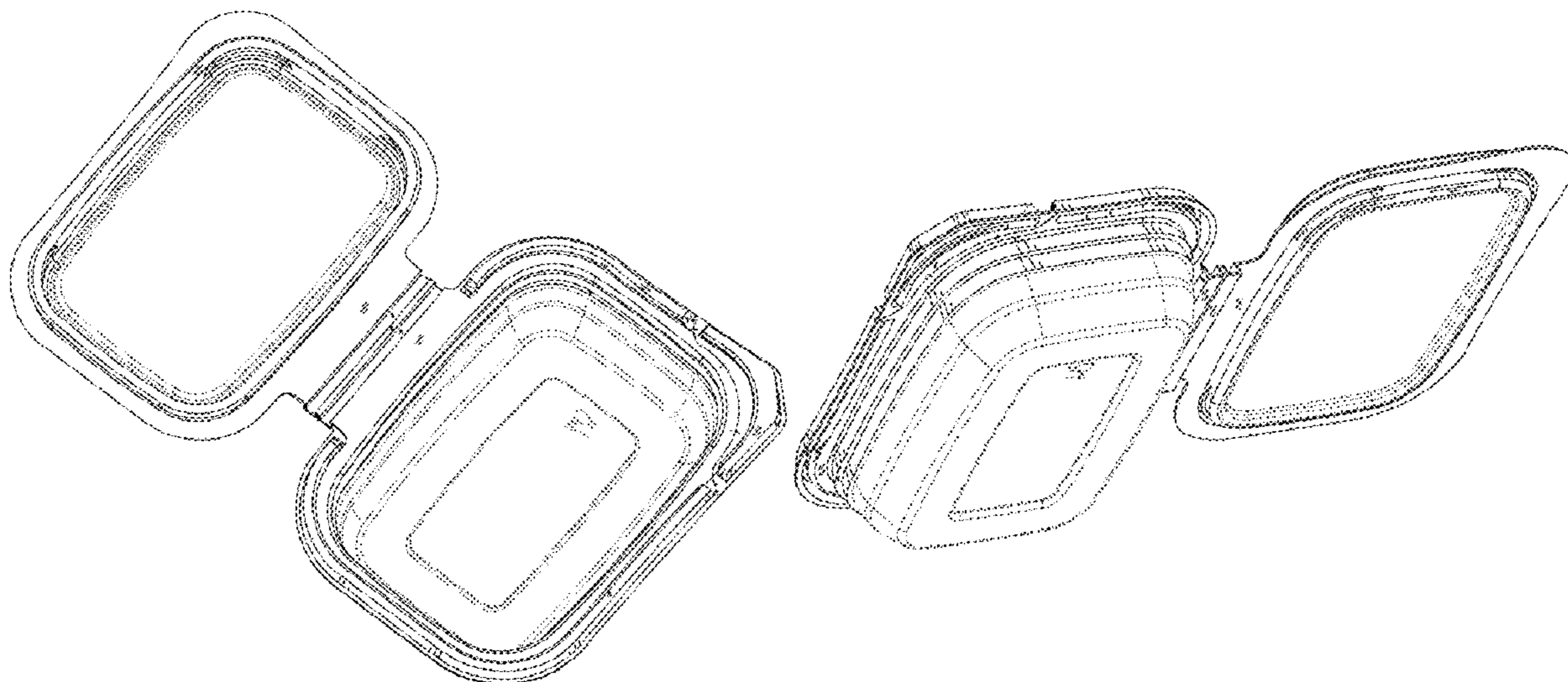
FIG. 14 is an opposite side view of the tamper evident container of FIG. 1 in the closed state.

FIG. 15 is a top view of the tamper evident container of FIG. 1 in the closed state; and,

FIG. 16 is a bottom view of the tamper evident container of FIG. 1 in the closed state.

Broken lines show environmental structure that forms no part of the claimed design.

**1 Claim, 16 Drawing Sheets**



(56)

**References Cited**

U.S. PATENT DOCUMENTS

2014/0138383 A1\* 5/2014 Lisowy ..... B65D 43/162  
220/270  
2015/0266611 A1\* 9/2015 Dow ..... B65D 43/162  
220/269  
2018/0215517 A1\* 8/2018 Vovan ..... B65D 43/22  
2020/0369439 A1\* 11/2020 Schuler ..... B65D 43/22  
2021/0016936 A1\* 1/2021 Hsieh ..... B65D 55/06  
2021/0229880 A1\* 7/2021 Guirguis ..... B65D 55/024

\* cited by examiner

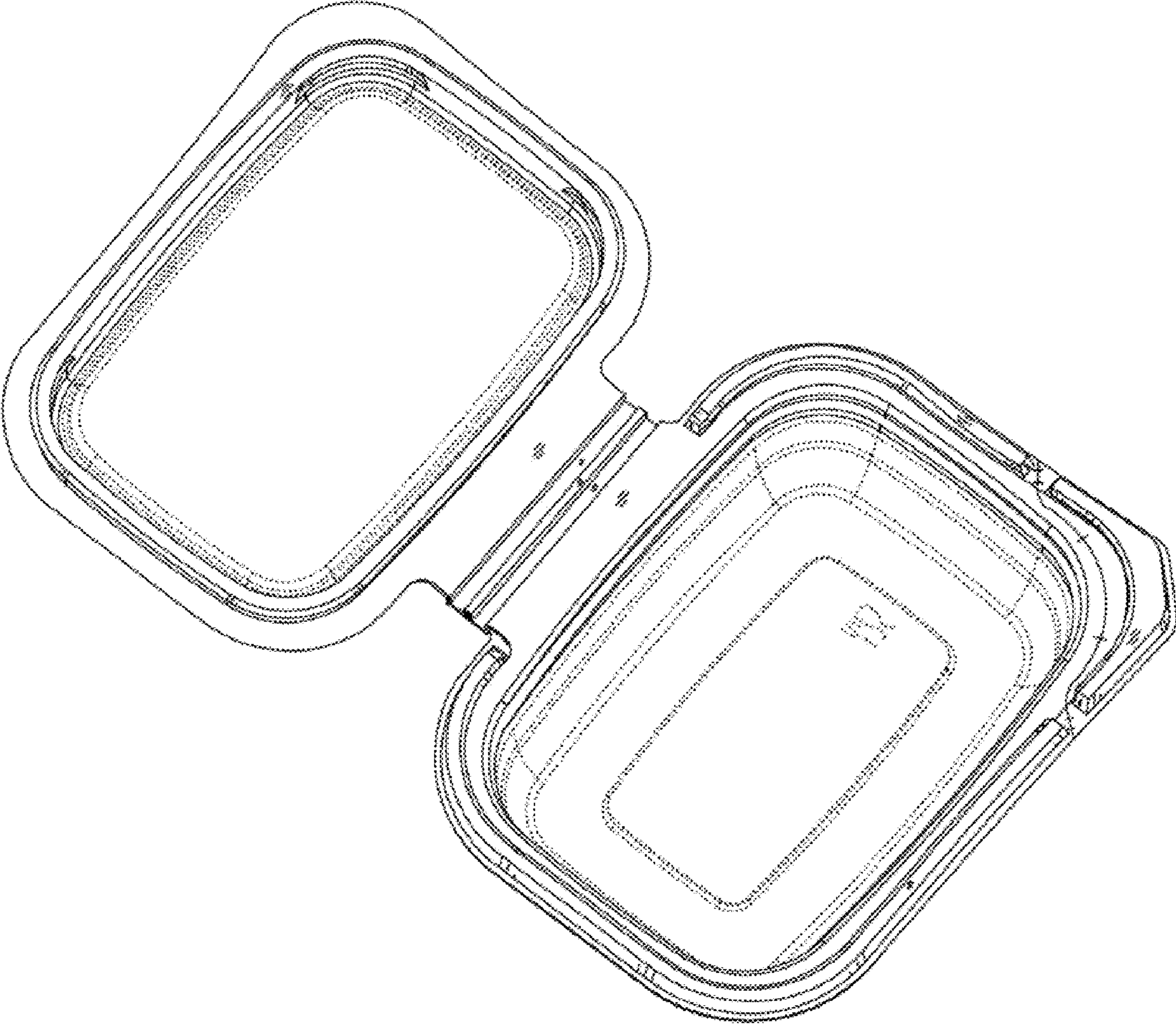


FIG. 1

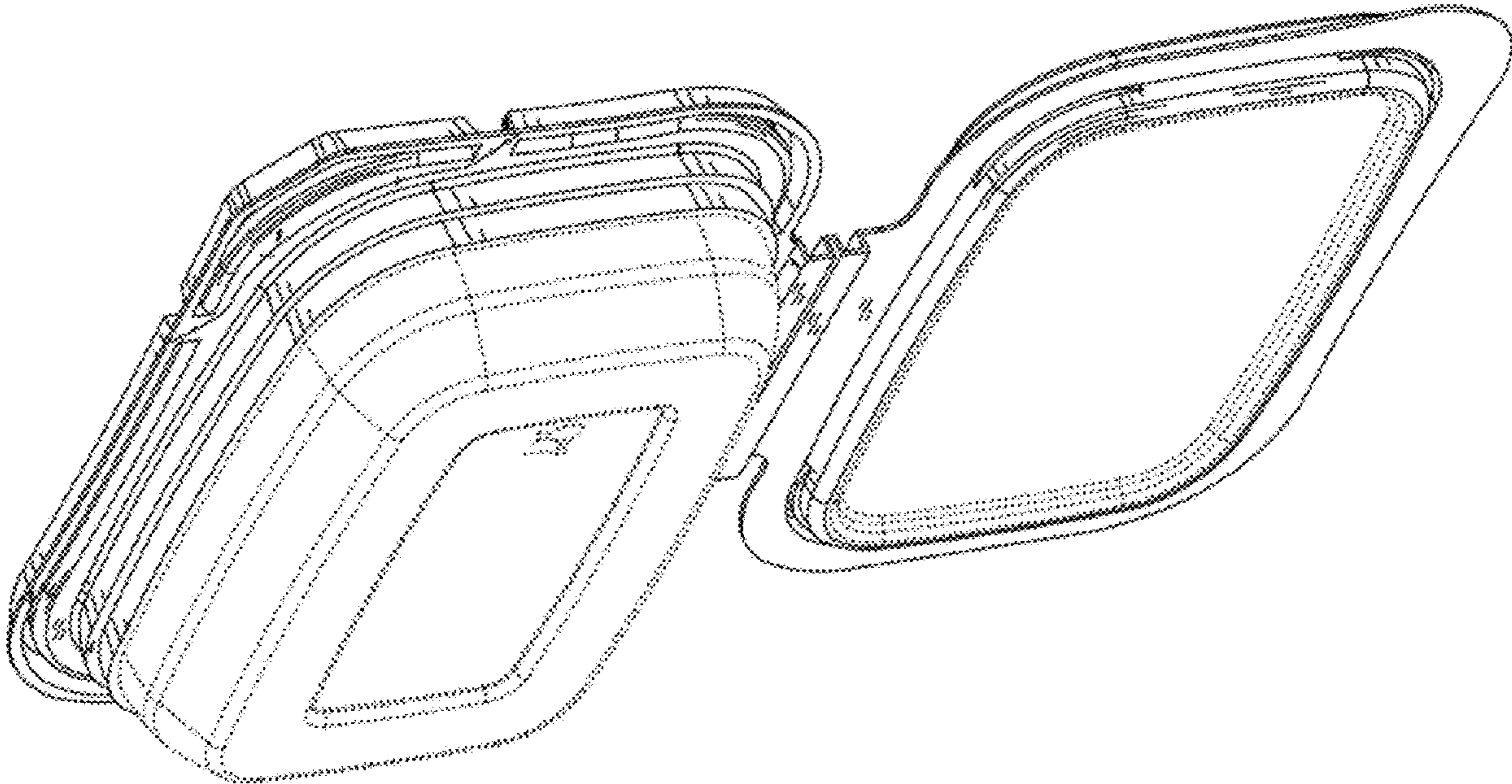


FIG. 2

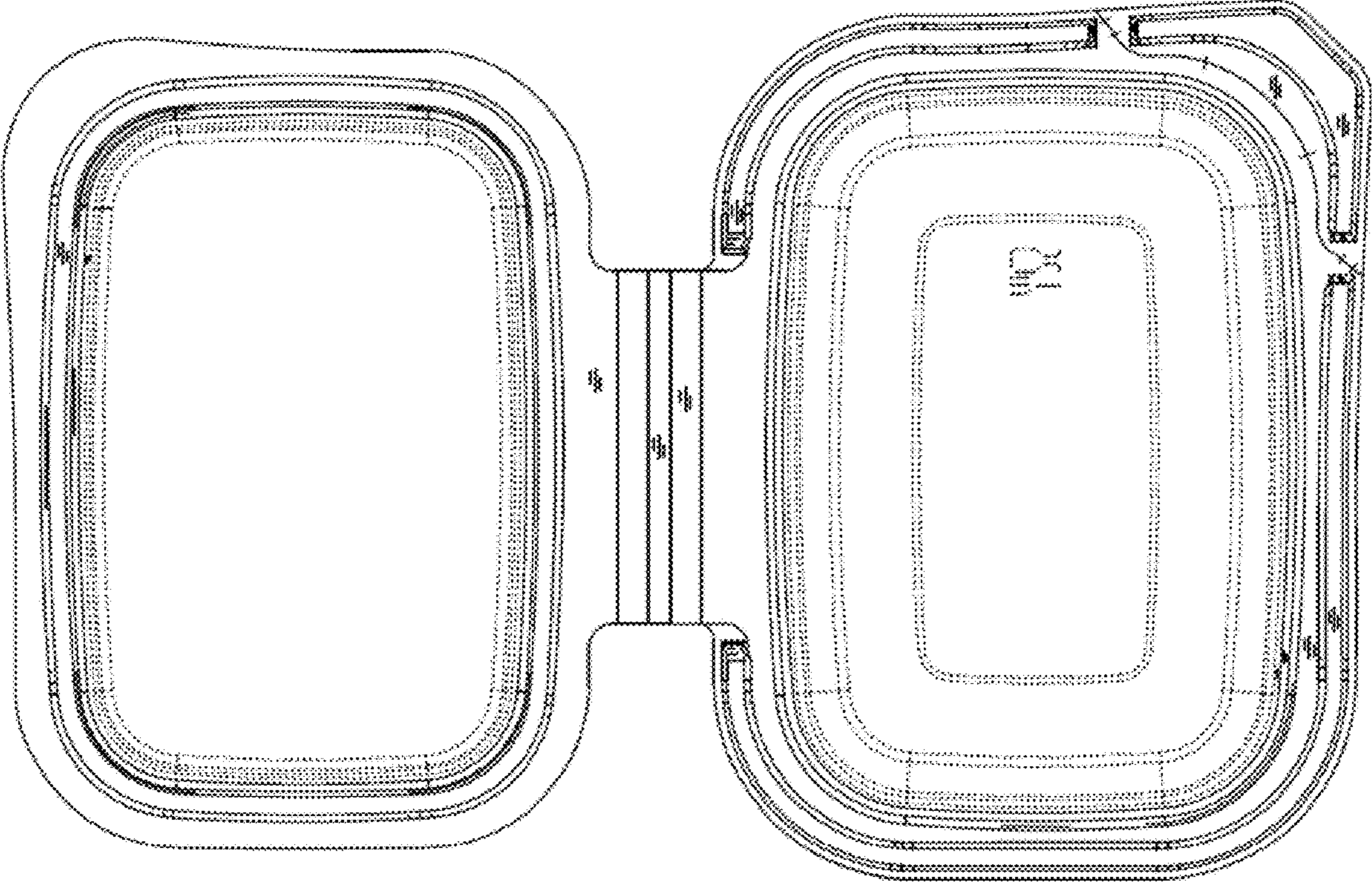


FIG. 3

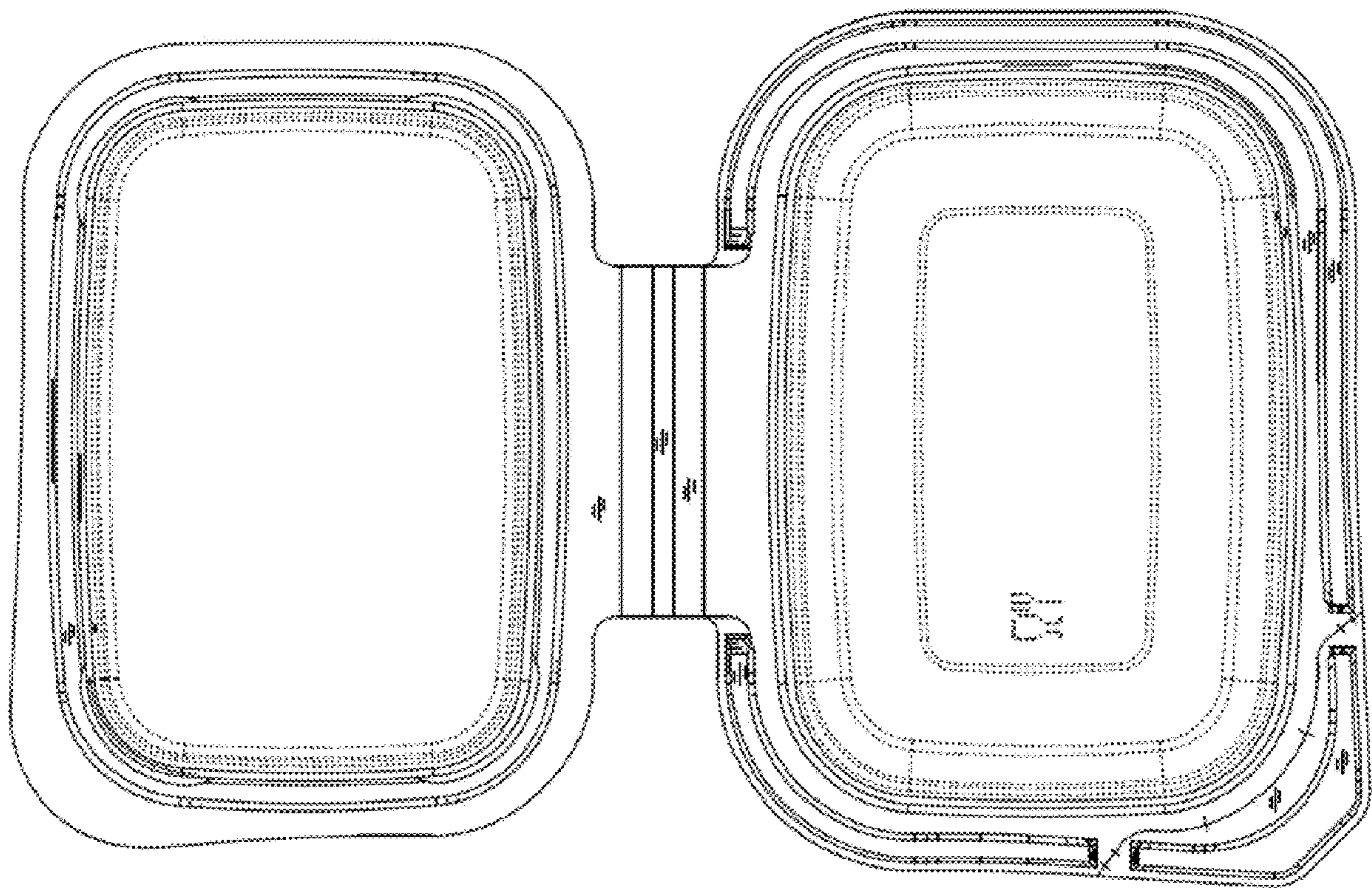


FIG. 4

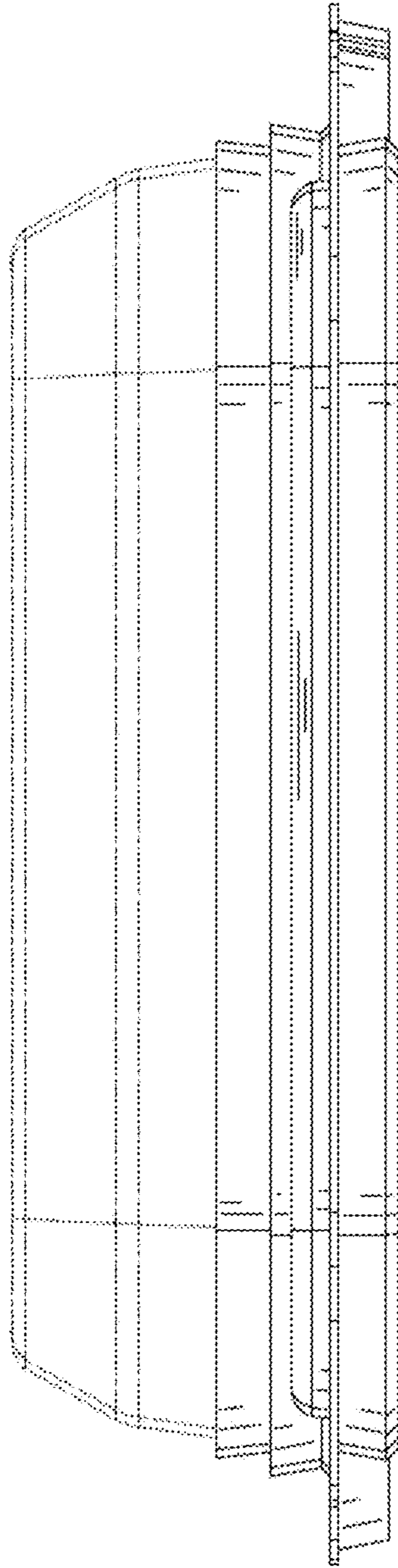


FIG. 5

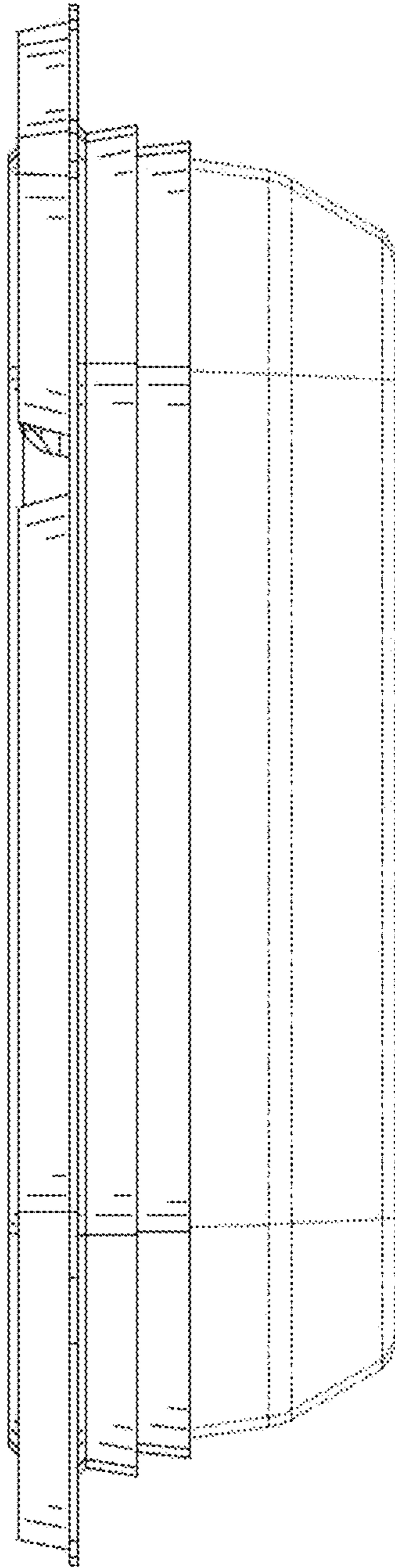


FIG. 6



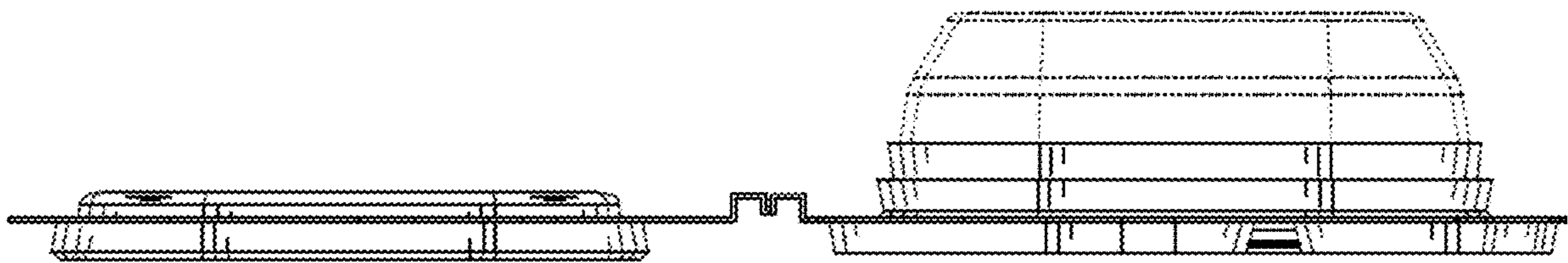


FIG. 7

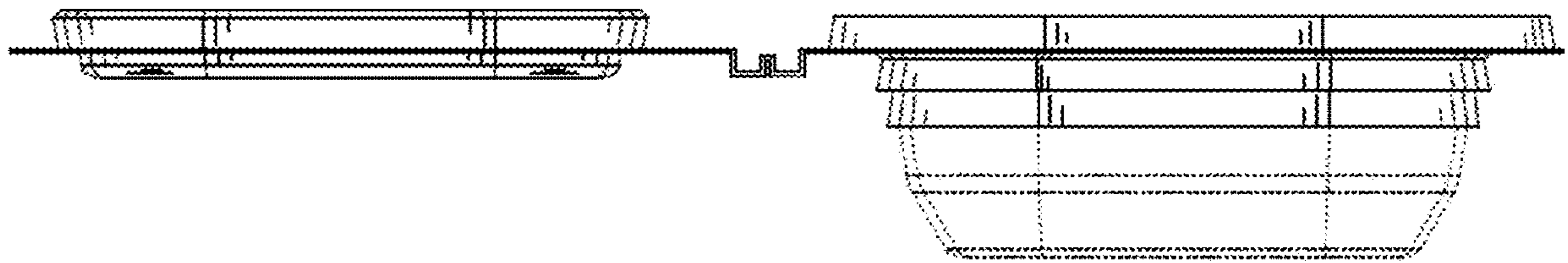


FIG. 8

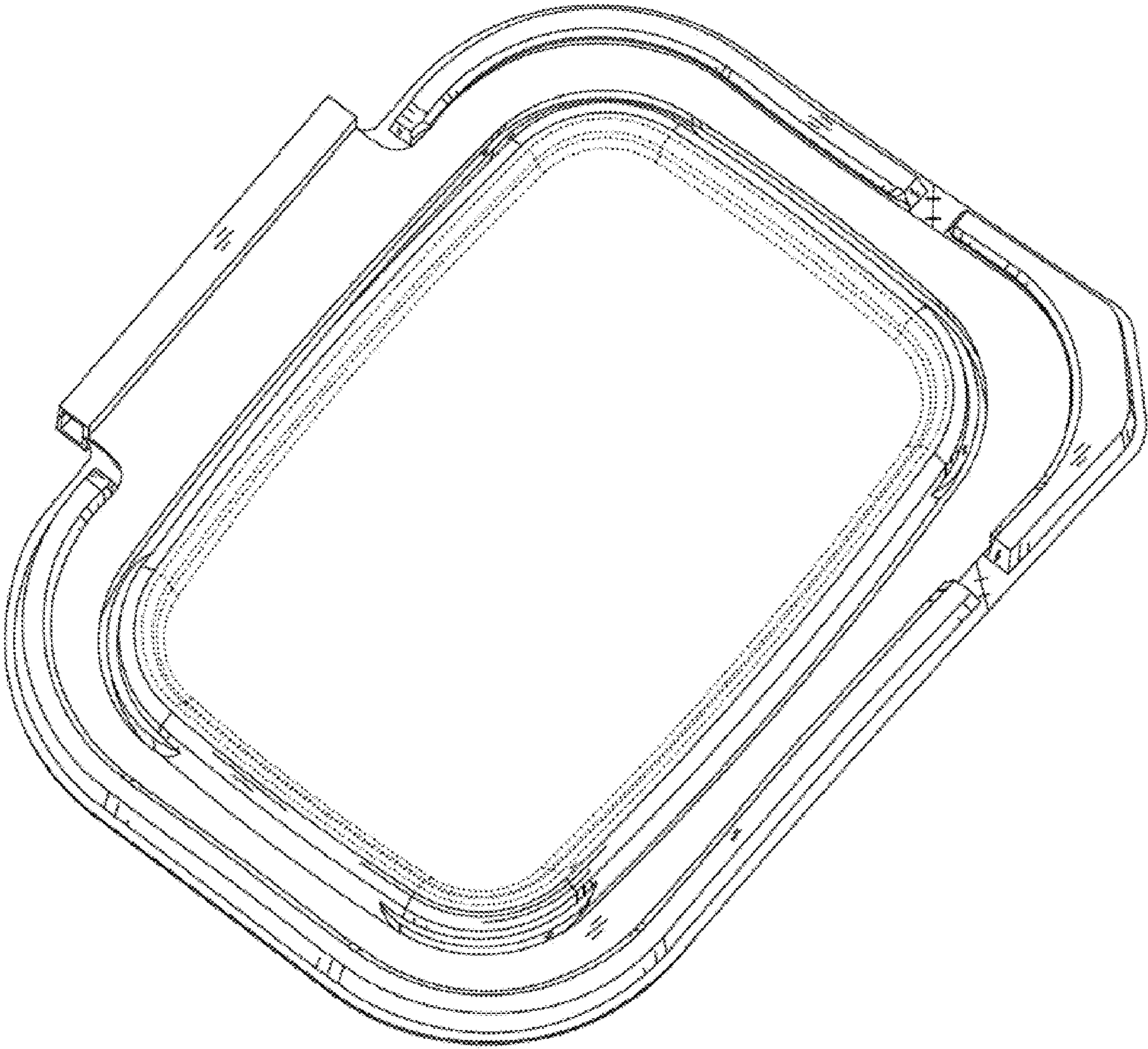


FIG. 9

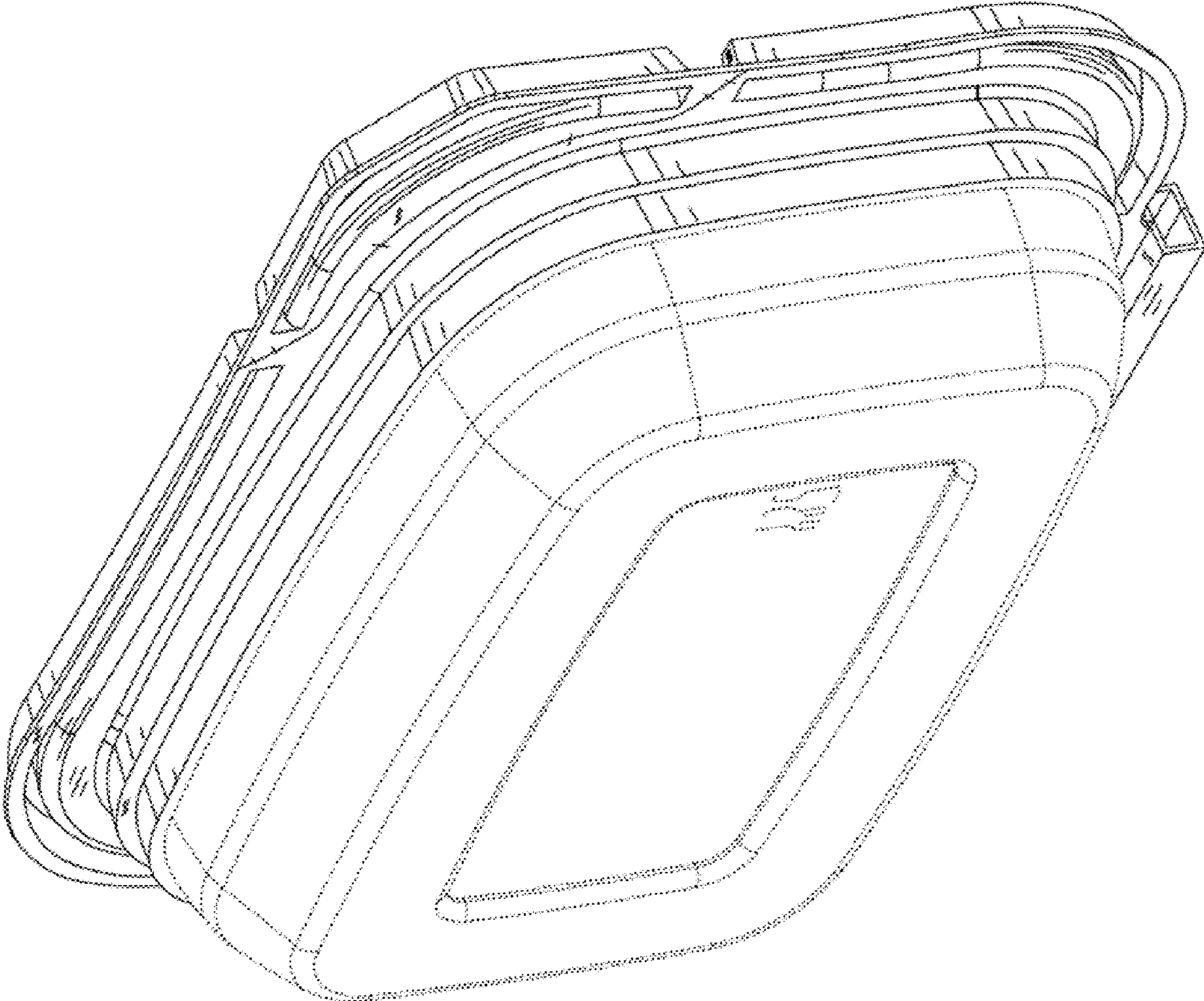


FIG. 10

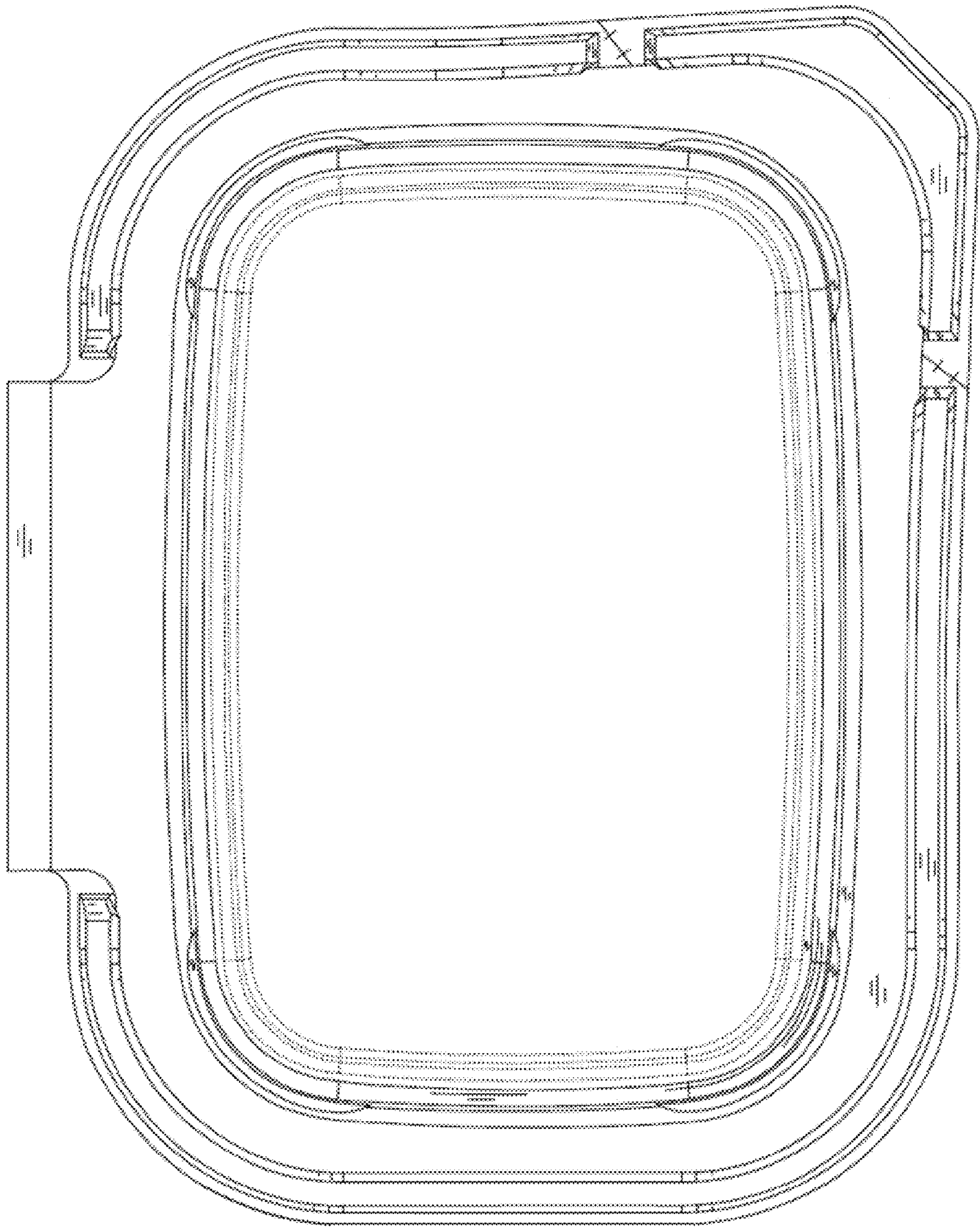


FIG. 11

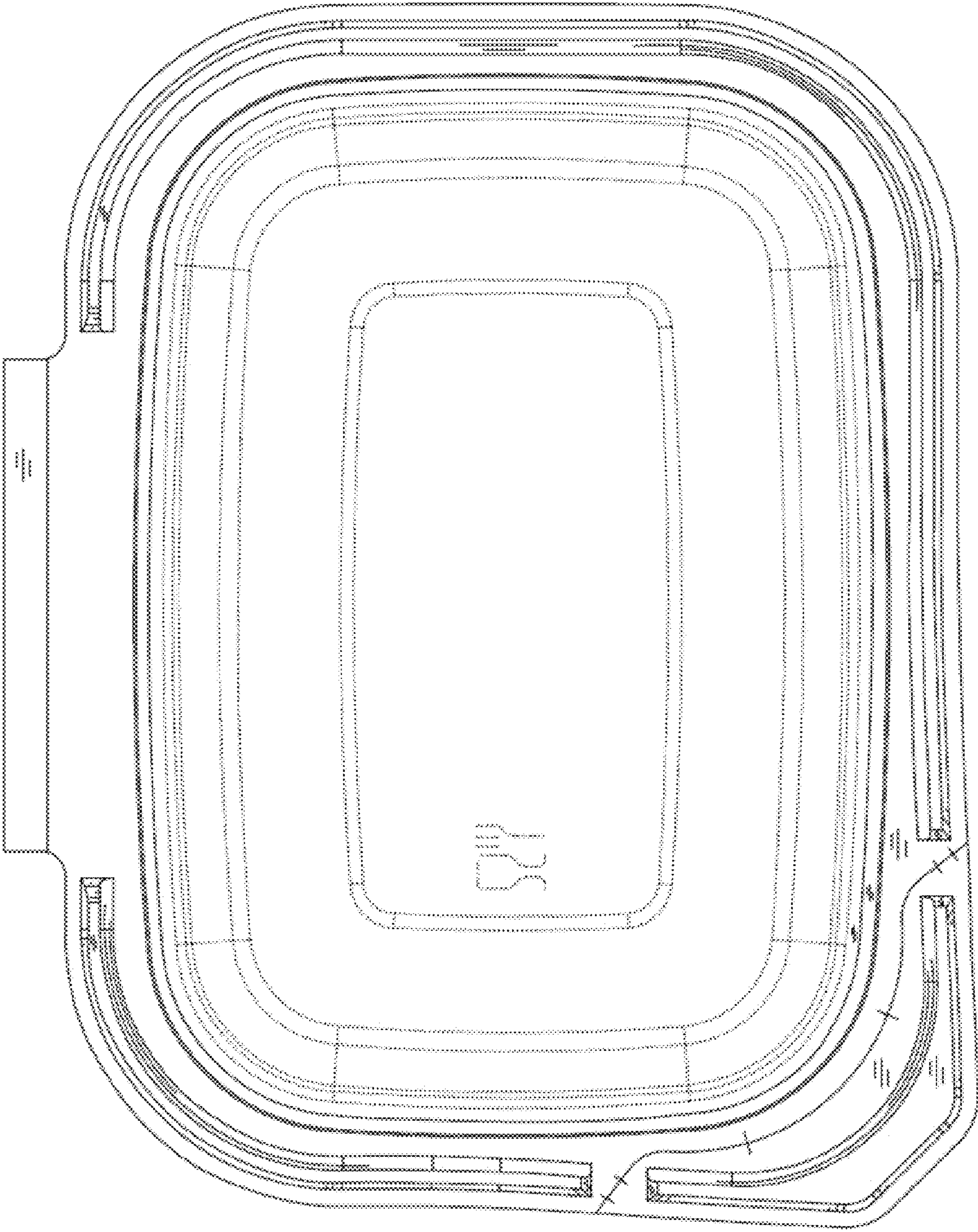


FIG. 12

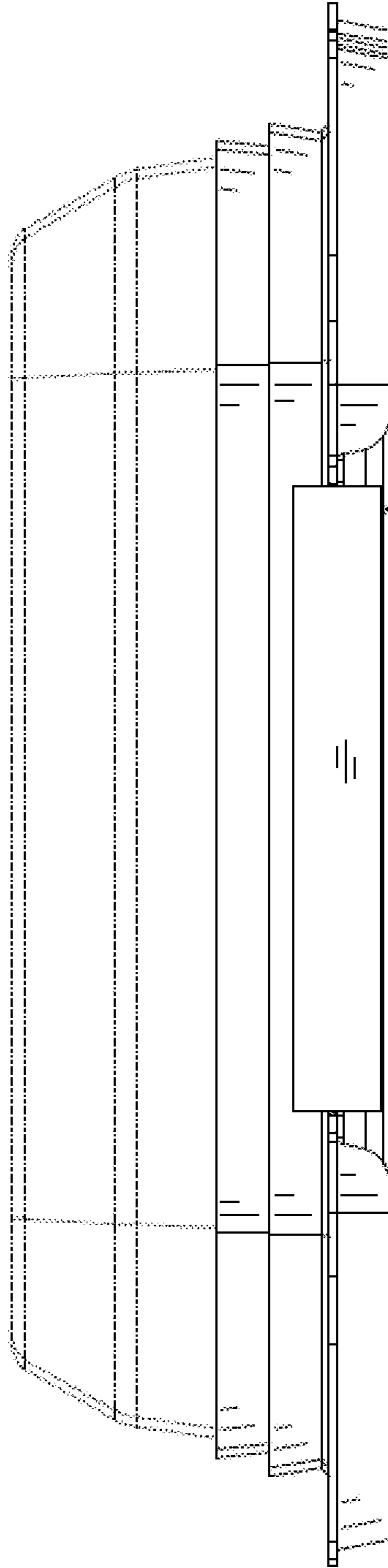


FIG. 13

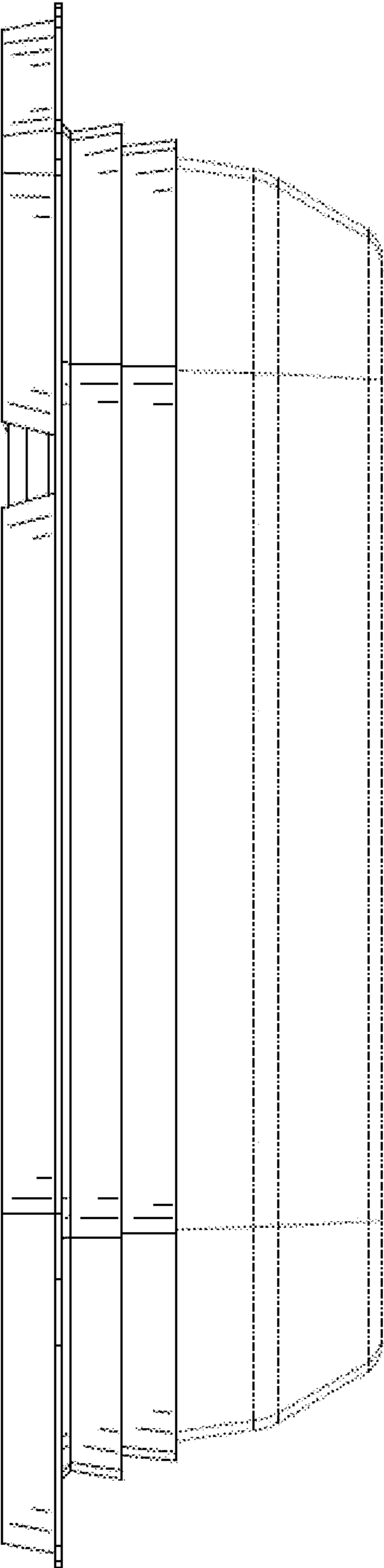


FIG. 14



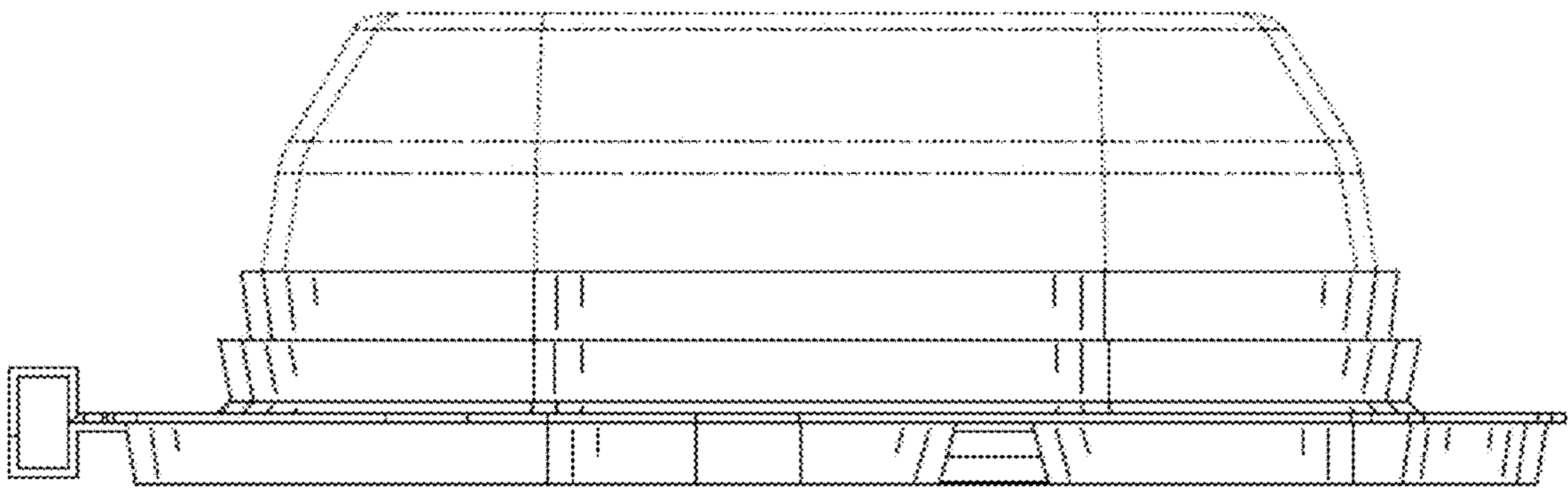


FIG. 15

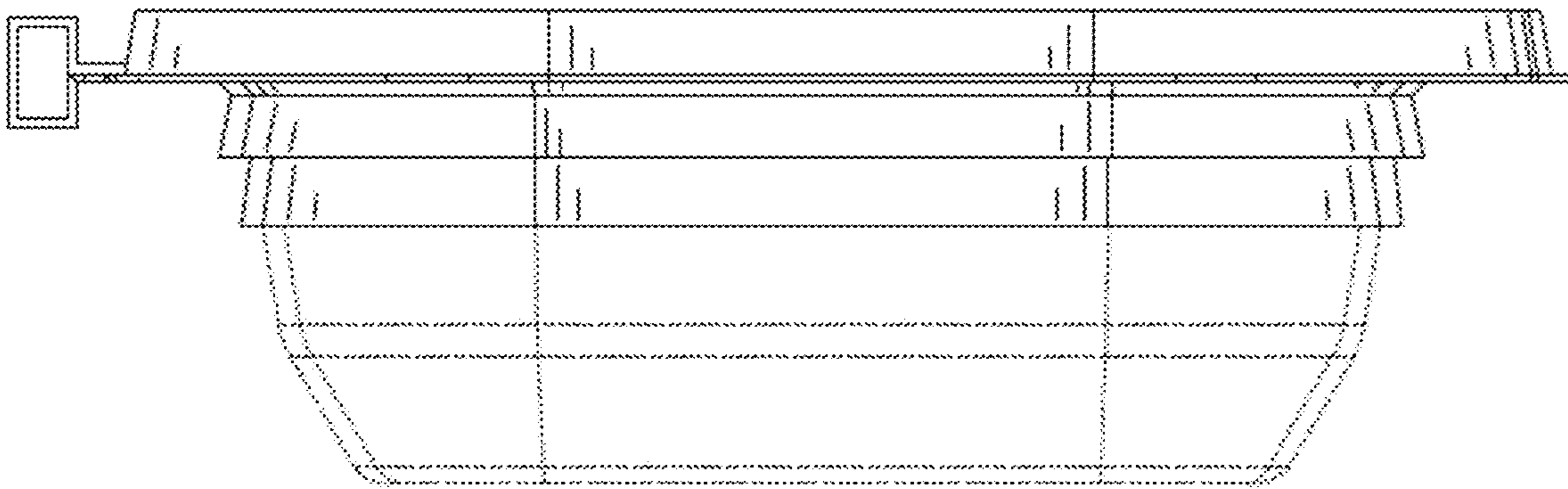


FIG. 16