



US00D952459S

(12) **United States Design Patent** (10) **Patent No.:** **US D952,459 S**
Irwin (45) **Date of Patent:** **** *May 24, 2022**

- (54) **CONTAINER**
- (71) Applicant: **KacePack Ltd.**, Hong Kong (HK)
- (72) Inventor: **George Douglas Irwin**, Hong Kong (HK)
- (73) Assignee: **KacePack Ltd.**, Sheung Wan (HK)
- (*) Notice: This patent is subject to a terminal disclaimer.
- (**) Term: **15 Years**
- (21) Appl. No.: **29/697,582**
- (22) Filed: **Jul. 10, 2019**
- (51) **LOC (13) Cl.** **09-03**
- (52) **U.S. Cl.**
USPC **D9/422**
- (58) **Field of Classification Search**
USPC D3/301, 273, 294, 295, 298, 302, 905,
D3/901, 313; D9/432, 422, 426;
D27/172, 183, 189, 190, 191; D28/78,
D28/82, 83
CPC B65D 43/12; B65D 50/04; B65D 50/046;
B65D 43/16; A61J 1/03; A45D 40/18;
A45D 40/22
See application file for complete search history.

D550,512 S *	9/2007	Delsol	D7/615
D557,053 S *	12/2007	Osborn	D6/632
D590,709 S *	4/2009	Fitzsimmons	D9/432
D595,125 S *	6/2009	Doyle	D3/298
D640,138 S *	6/2011	Lee	D9/608
D640,139 S *	6/2011	Lee	D9/608
D687,296 S *	8/2013	Delsol	D9/422

OTHER PUBLICATIONS

Fast confectionery, "Slider Mint Tin", Saved page cached from Apr. 20, 2017. (<https://fastconfectionery.com.au/product/slider-mint-tin/>) (Year: 2017).*

Amazon, "Empty Slide Top Tin Containers . . .", First reviewed Feb. 24, 2015. (<https://www.amazon.com/Empty-Slide-Containers-Crafts-Storage/dp/B00RNG22PU>) (Year: 2015).*

Amazon, "Cubic Ape Slide Top Tin . . ." First on sale Dec. 16, 2016. (<https://www.amazon.com/Cubic-Ape-Slide-Containers-Cosmetics/dp/B01N4EN96F/>) (Year: 2016).*

(Continued)

Primary Examiner — April Rivas
(74) *Attorney, Agent, or Firm* — Bookoff McAndrews, PLLC

(57) **CLAIM**

I claim the ornamental design for the container, as shown and described.

DESCRIPTION

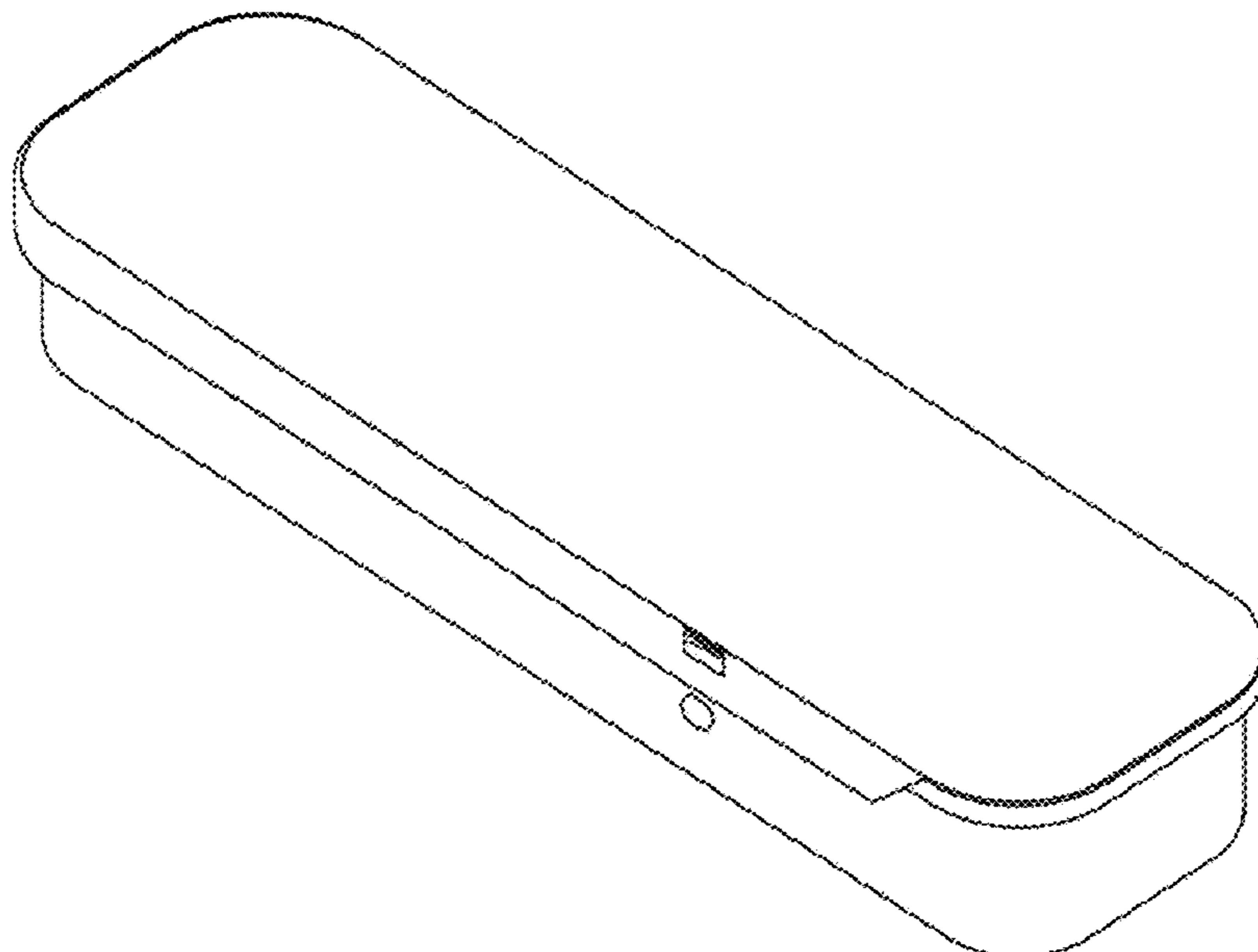
FIG. 1 is a front perspective view of a container showing the new design;
FIG. 2 is a front view of the container;
FIG. 3 is a back view of the container;
FIG. 4 is a left view of the container;
FIG. 5 is a right view of the container;
FIG. 6 is a top view of the container; and,
FIG. 7 is a bottom view of the container.

1 Claim, 3 Drawing Sheets

(56) **References Cited**

U.S. PATENT DOCUMENTS

2,295,747 A *	9/1942	Mills	B65D 43/12
				220/351
D469,607 S *	2/2003	Wolff	D3/294
D479,462 S *	9/2003	Chan	D9/422
D507,968 S *	8/2005	Dixon	D9/422
D520,063 S *	5/2006	Scimone	D19/75
D534,068 S *	12/2006	Tanner	D9/424
D535,874 S *	1/2007	Tanner	D9/422



(56)

References Cited

OTHER PUBLICATIONS

Amazon, “Metal Slide Top Tin Containers . . .”, First on sale Apr. 9, 2014. (<https://www.amazon.com/Containers-Geocache-Storage-Survival-MagnaKoys/dp/B00JKUJLSS/>) (Year: 2014).*

Facebook page for “Can it!”, Photo posted Jun. 5, 2017. (<https://www.facebook.com/customtins/photos/a.289398577882111/836913419797288/?type=3&theater>) (Year: 2017).*

Cannabis Products, “KacePack Cannabis Packaging Range”, Published Jun. 3, 2020. (<https://www.preparedfoods.com/articles/124109-kacepack-cannabis-packaging-range>) (Year: 2020).*

* cited by examiner

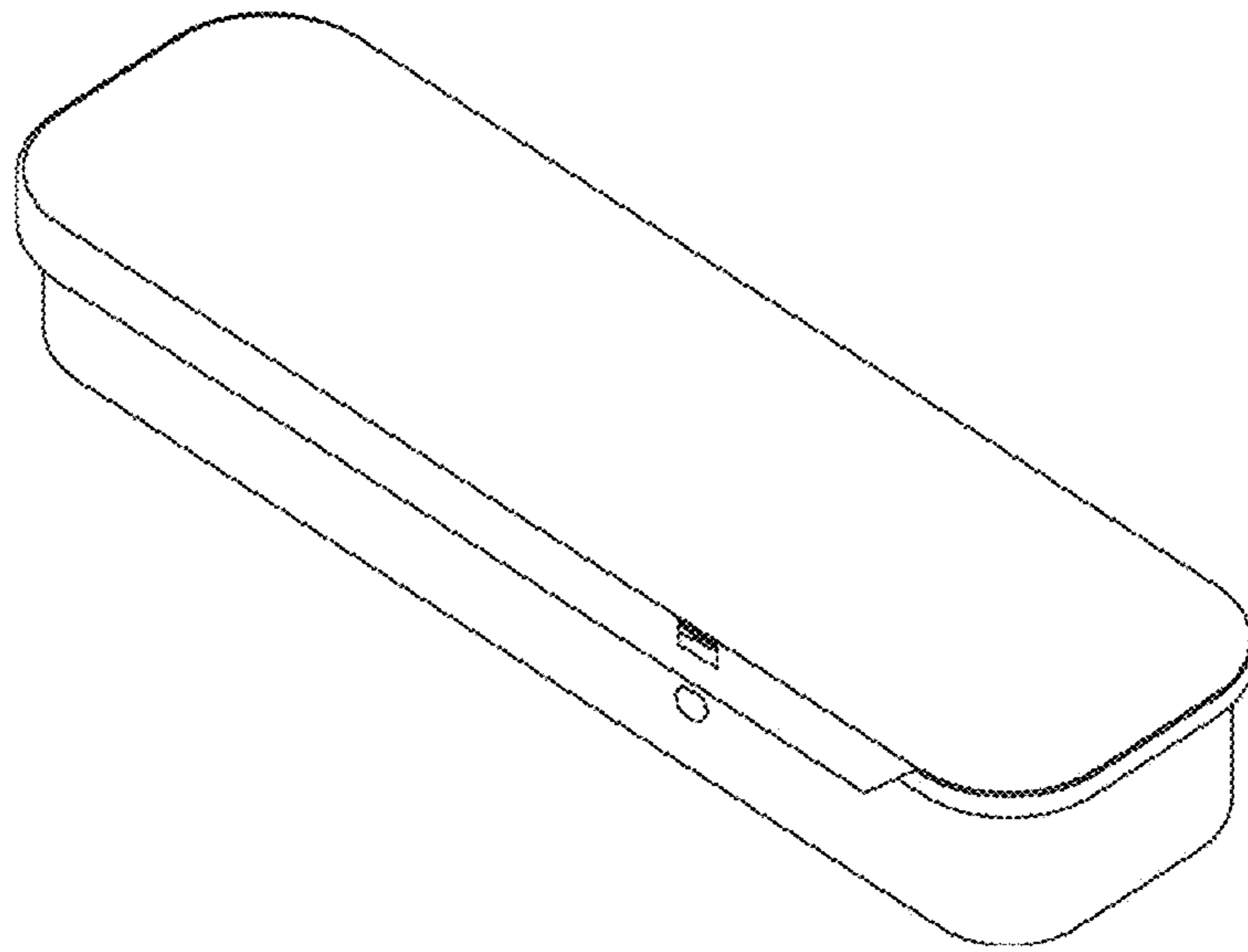


FIG. 1

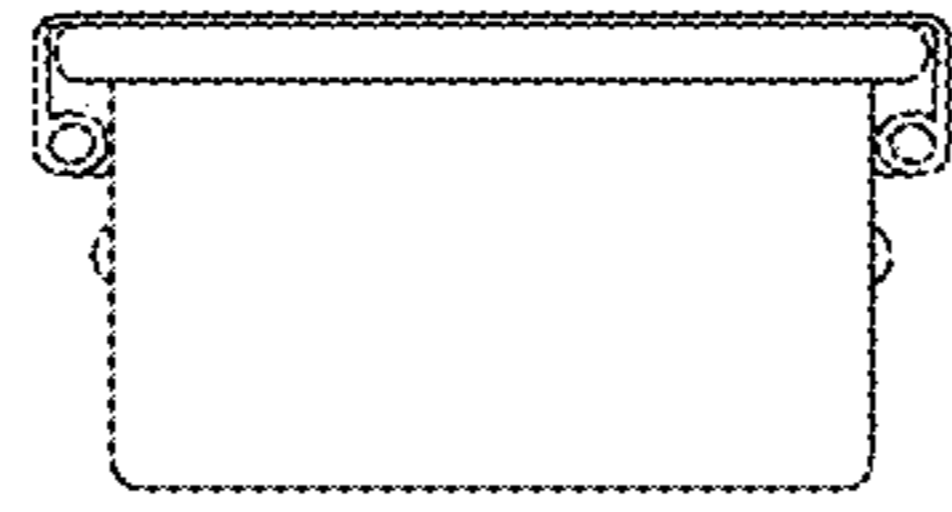


FIG. 2

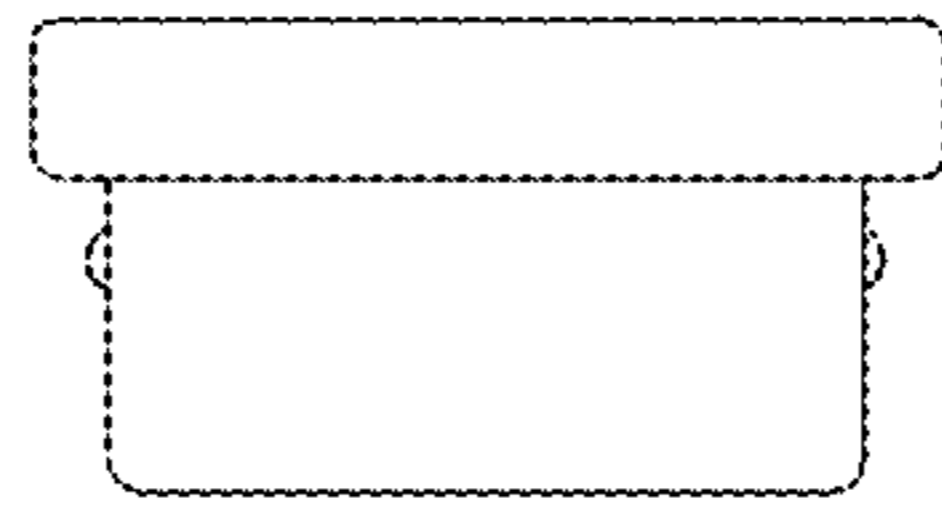


FIG. 3

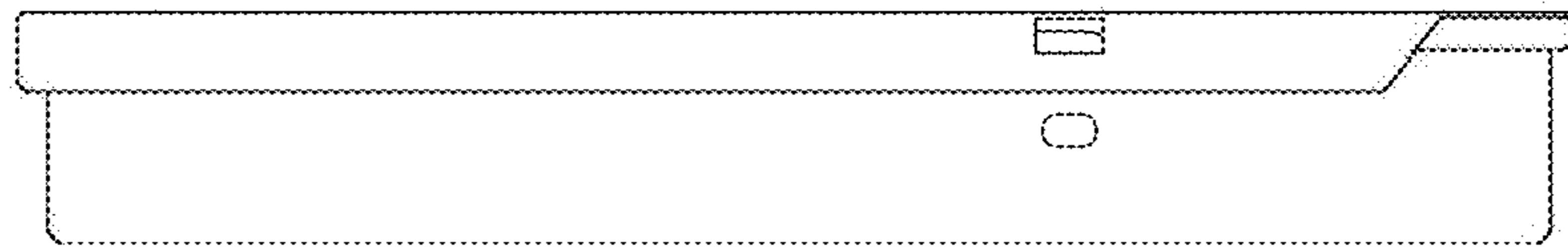


FIG. 4

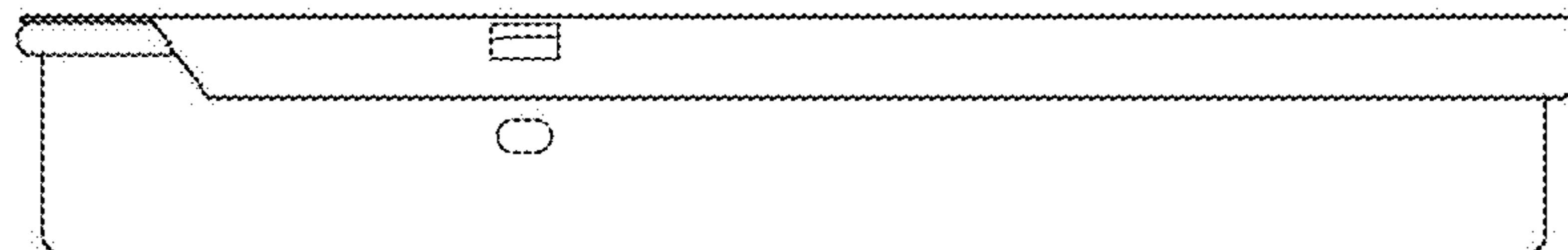


FIG. 5



FIG. 6

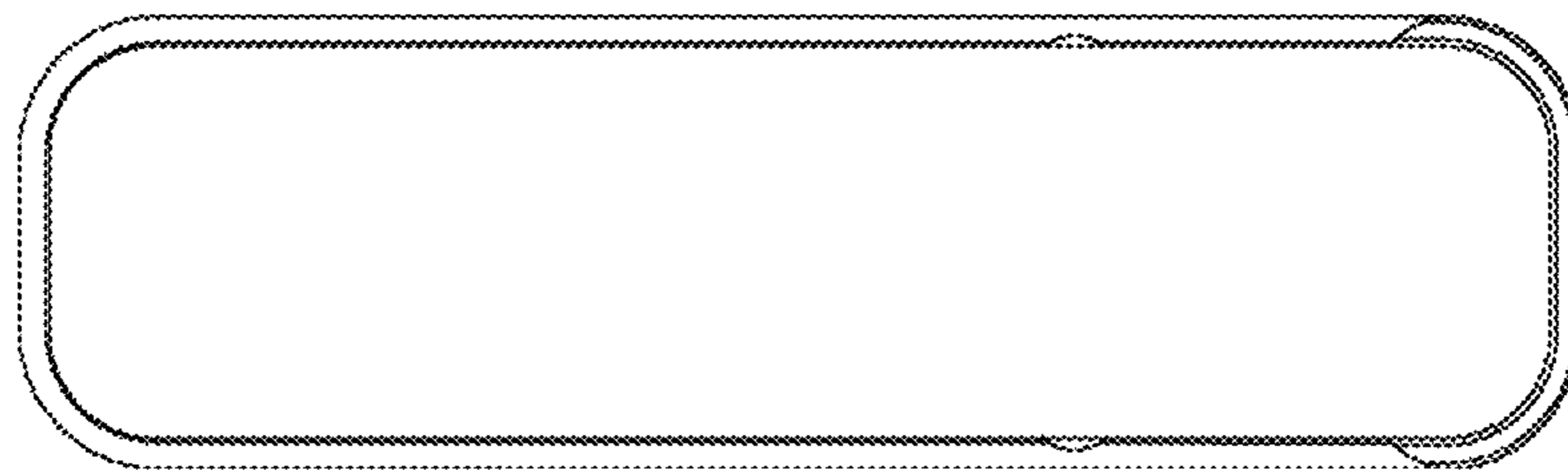


FIG. 7