



US00D952457S

(12) **United States Design Patent** (10) **Patent No.:** **US D952,457 S**  
**Creager et al.** (45) **Date of Patent:** **\*\* May 24, 2022**

(54) **FRAGILE ITEM DISTRIBUTION, STORAGE AND DISPLAY CONTAINER**

(71) Applicant: **LiT Brands LLC**, Denver, CO (US)

(72) Inventors: **Andrew Creager**, Denver, CO (US);  
**Max Creager**, Denver, CO (US);  
**Donald Creager, III**, Denver, CO (US);  
**Zachary Taylor**, Arvada, CO (US);  
**William Cowan**, Westminster, CO (US)

(73) Assignee: **LIT BRANDS LLC**, Denver, CO (US)

(\*\*) Term: **15 Years**

(21) Appl. No.: **29/759,008**

(22) Filed: **Nov. 19, 2020**

(51) **LOC (13) Cl.** ..... **09-03**

(52) **U.S. Cl.**  
USPC ..... **D9/418**

(58) **Field of Classification Search**  
USPC ..... D9/414-416, 418, 432, 431, 517, 433,  
D9/434, 600  
CPC .. B65D 5/4204; B65D 5/1056; B65D 5/5425;  
B65D 5/0227  
See application file for complete search history.

(56) **References Cited**

U.S. PATENT DOCUMENTS

D455,956 S *	4/2002	Thompson	.....	D9/418
6,435,342 B1 *	8/2002	Agnes	.....	B65D 85/1056
				206/268
6,460,703 B1 *	10/2002	Thompson	.....	B65D 5/4204
				206/769
D518,368 S *	4/2006	Tachikawa	.....	D9/415
D557,135 S *	12/2007	Demalsche	.....	D9/418
D600,110 S *	9/2009	Cain	.....	D9/418
D628,882 S *	12/2010	Work	.....	D9/418
D630,503 S *	1/2011	Abdalkhani	.....	D9/418

D636,662 S *	4/2011	Ignacio	.....	D9/418
D639,652 S *	6/2011	Abdalkhani	.....	D9/418
D699,103 S *	2/2014	Rathbone	.....	D9/418
D702,546 S *	4/2014	McAdam	.....	D9/418
D738,716 S *	9/2015	Nettenstrom	.....	D9/418
D762,465 S *	8/2016	Popper	.....	D9/415
D787,934 S *	5/2017	Bore	.....	D9/433
D797,550 S *	9/2017	Fath	.....	D9/418
D822,480 S *	7/2018	Rivera	.....	D9/418
D822,481 S *	7/2018	Rivera	.....	D9/418
D823,119 S *	7/2018	Louw	.....	D9/600
D846,982 S *	4/2019	Horne	.....	D9/418
D852,032 S *	6/2019	Horne	.....	D9/415
D853,230 S *	7/2019	Feldman	.....	D9/600
D855,453 S *	8/2019	Meyer	.....	D9/418
D863,957 S *	10/2019	Riffe	.....	D9/434

(Continued)

*Primary Examiner* — Rhea Shields

(74) *Attorney, Agent, or Firm* — Martensen IP; Michael C. Martensen

(57) **CLAIM**

The ornamental design for a fragile item distribution, storage and display container, as shown and described.

**DESCRIPTION**

FIG. 1 is a front, top perspective view of one embodiment of a fragile item distribution, storage and display container showing our new design;

FIG. 2 is a front view thereof;

FIG. 3 is back view thereof;

FIG. 4 is a right side view thereof;

FIG. 5 is a left side view thereof;

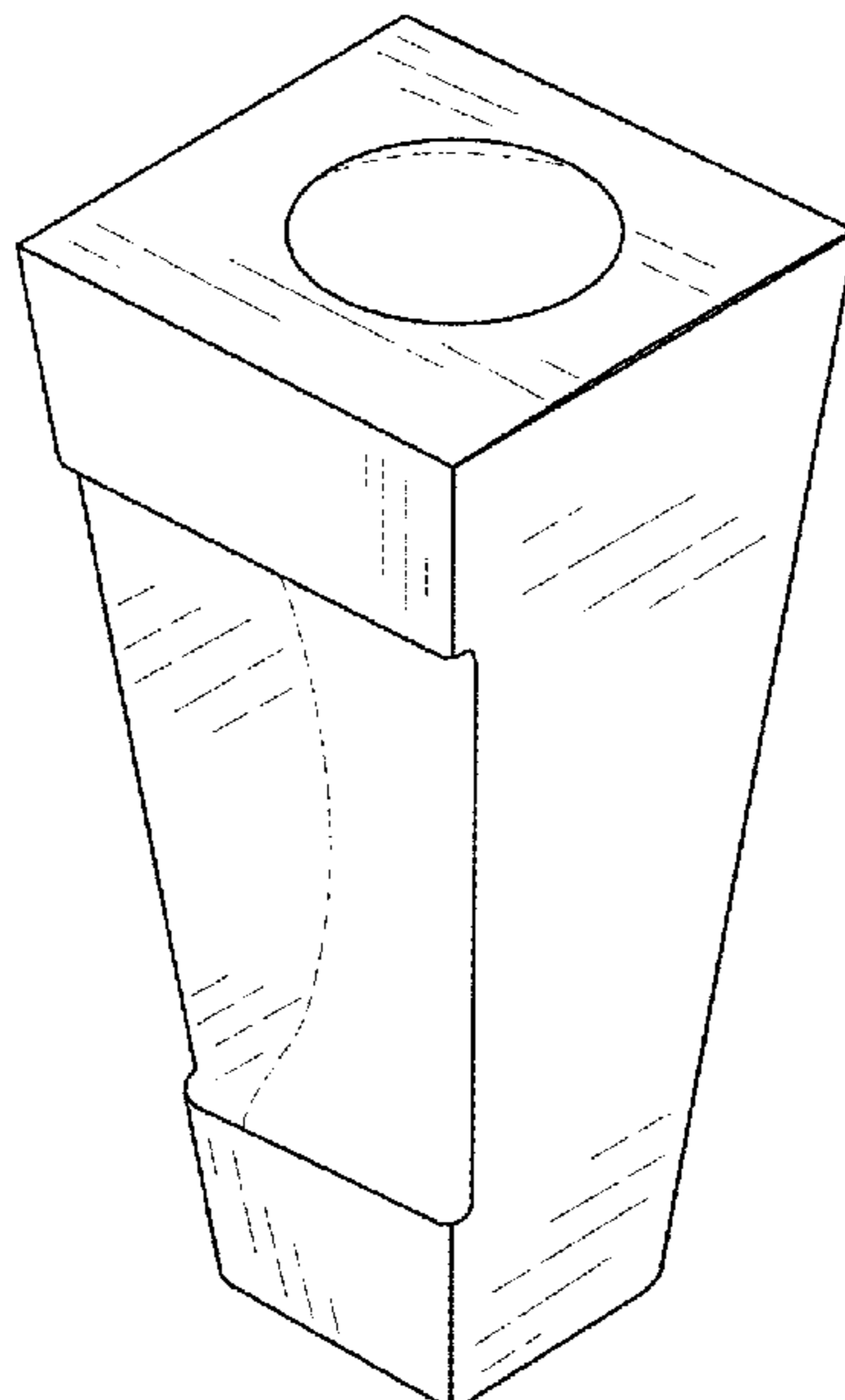
FIG. 6 is a top view thereof;

FIG. 7 is a bottom view thereof; and,

FIG. 8 is an unfolded view thereof.

The broken lines shown in the drawings depict portions of the fragile item distribution, storage and display container that form no part of the claimed design.

**1 Claim, 5 Drawing Sheets**



(56)

**References Cited**

U.S. PATENT DOCUMENTS

D870,551 S *	12/2019	Klesmith .....	D9/418
D871,210 S *	12/2019	Clifton .....	D9/432
D885,882 S *	6/2020	Tsuchihashi .....	D9/418
D904,880 S *	12/2020	Duffy .....	D9/432
D915,207 S *	4/2021	Leegwater .....	D9/517
11,148,850 B2 *	10/2021	Jun .....	B65D 5/0227
2022/0024666 A1 *	1/2022	Creager .....	B65D 5/5425

\* cited by examiner

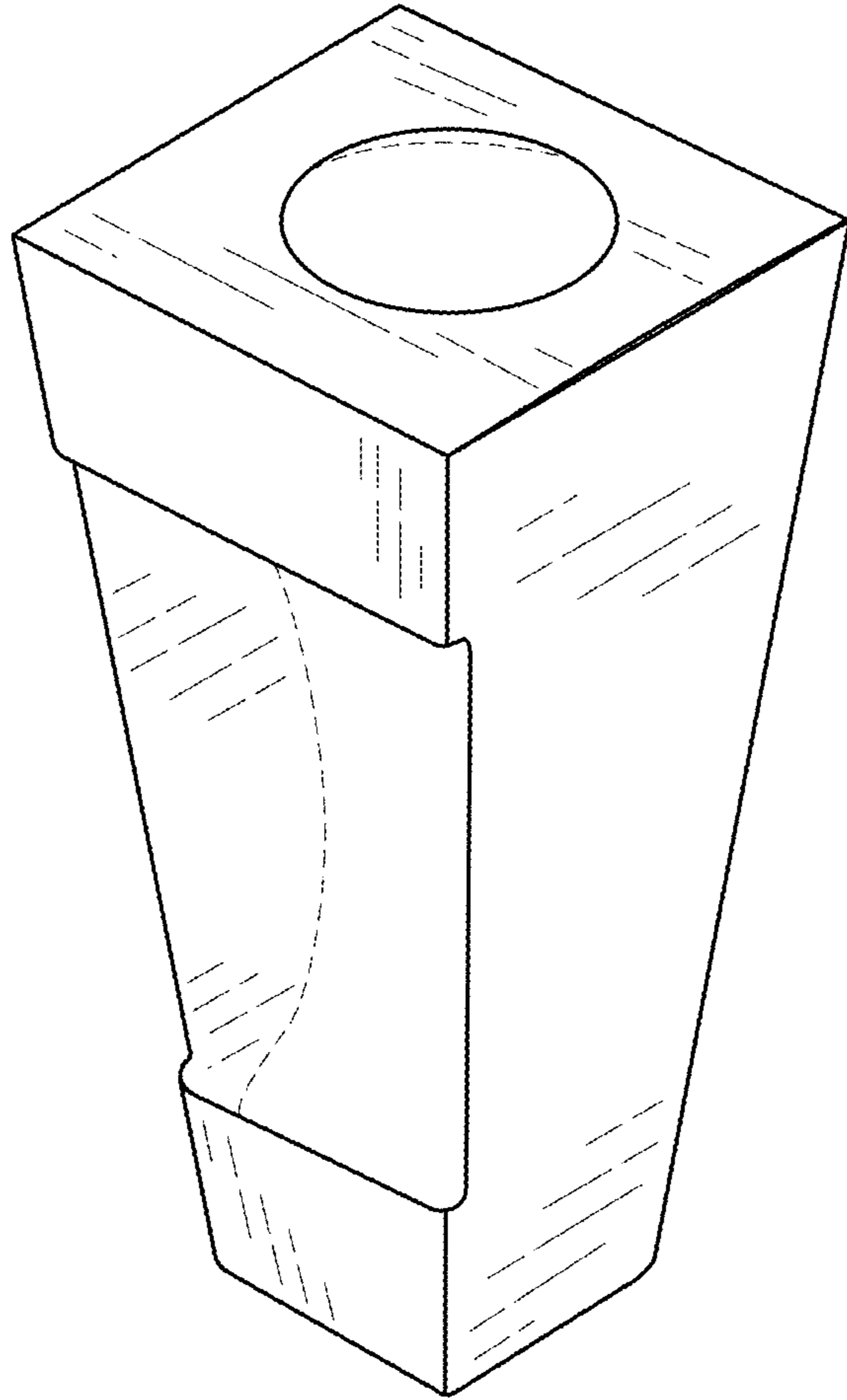


FIG.1

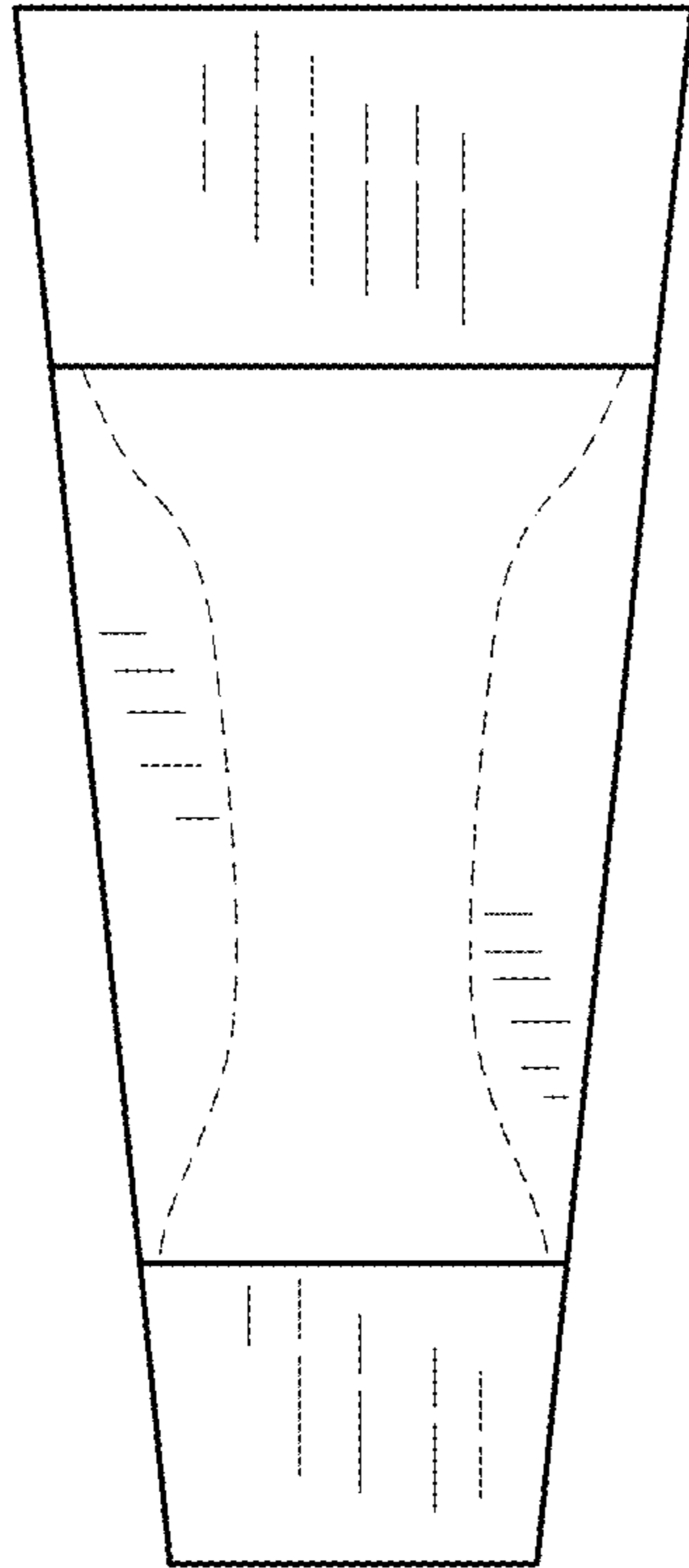


FIG. 2

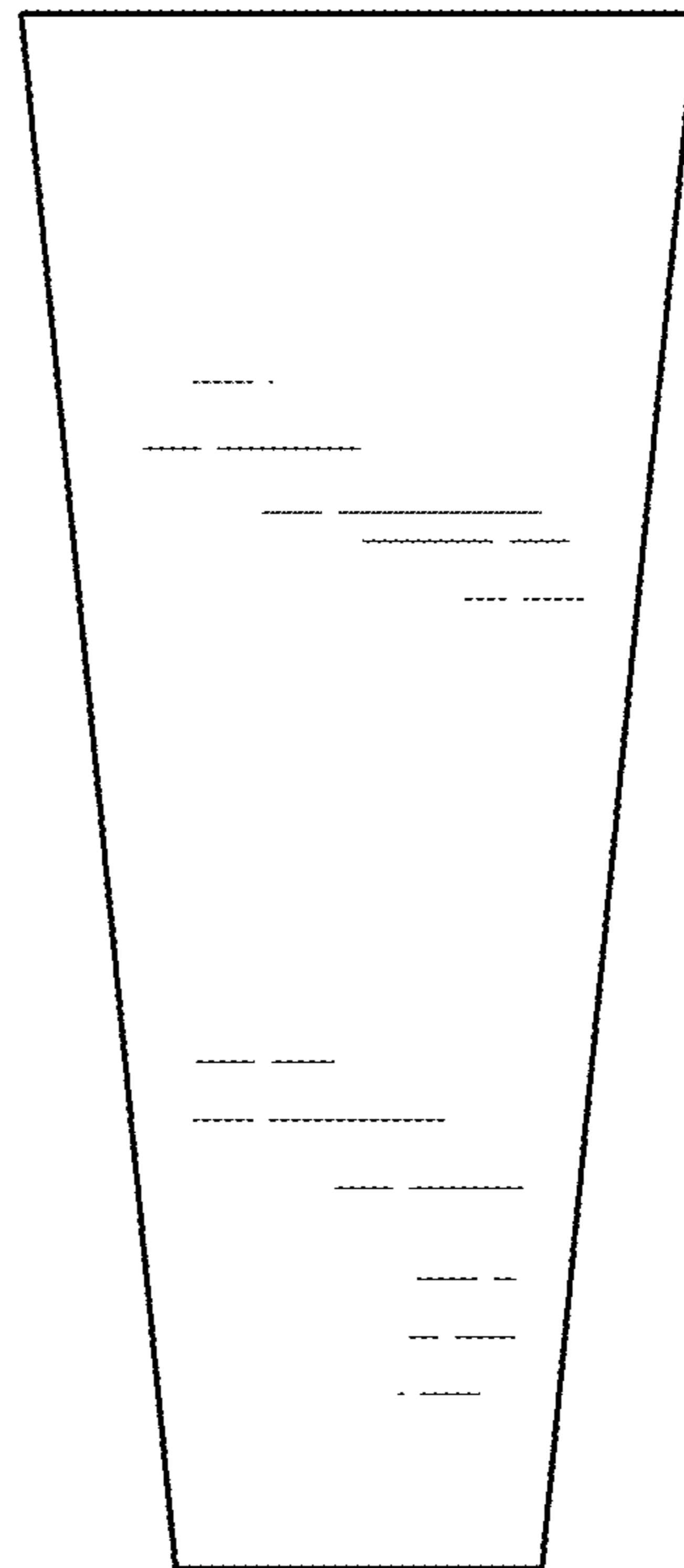


FIG. 3

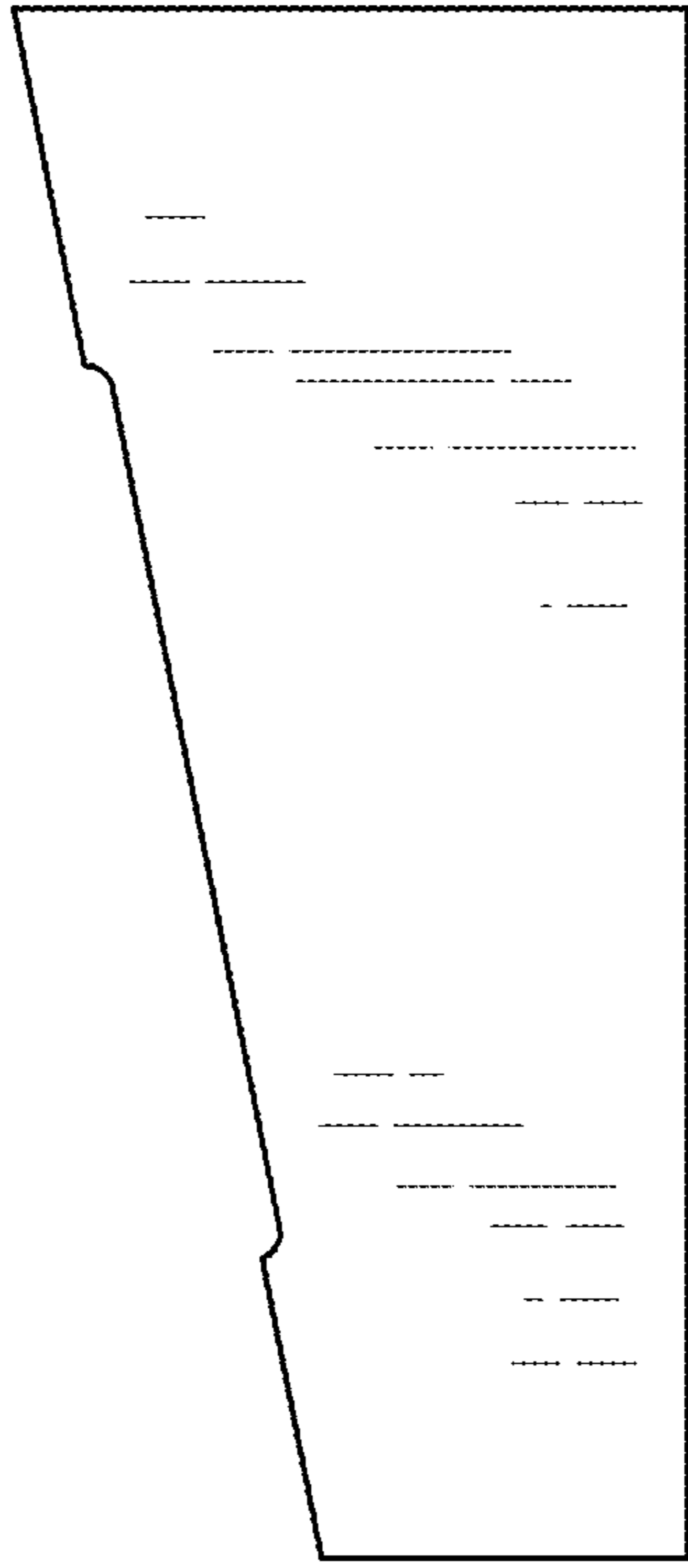


FIG.4

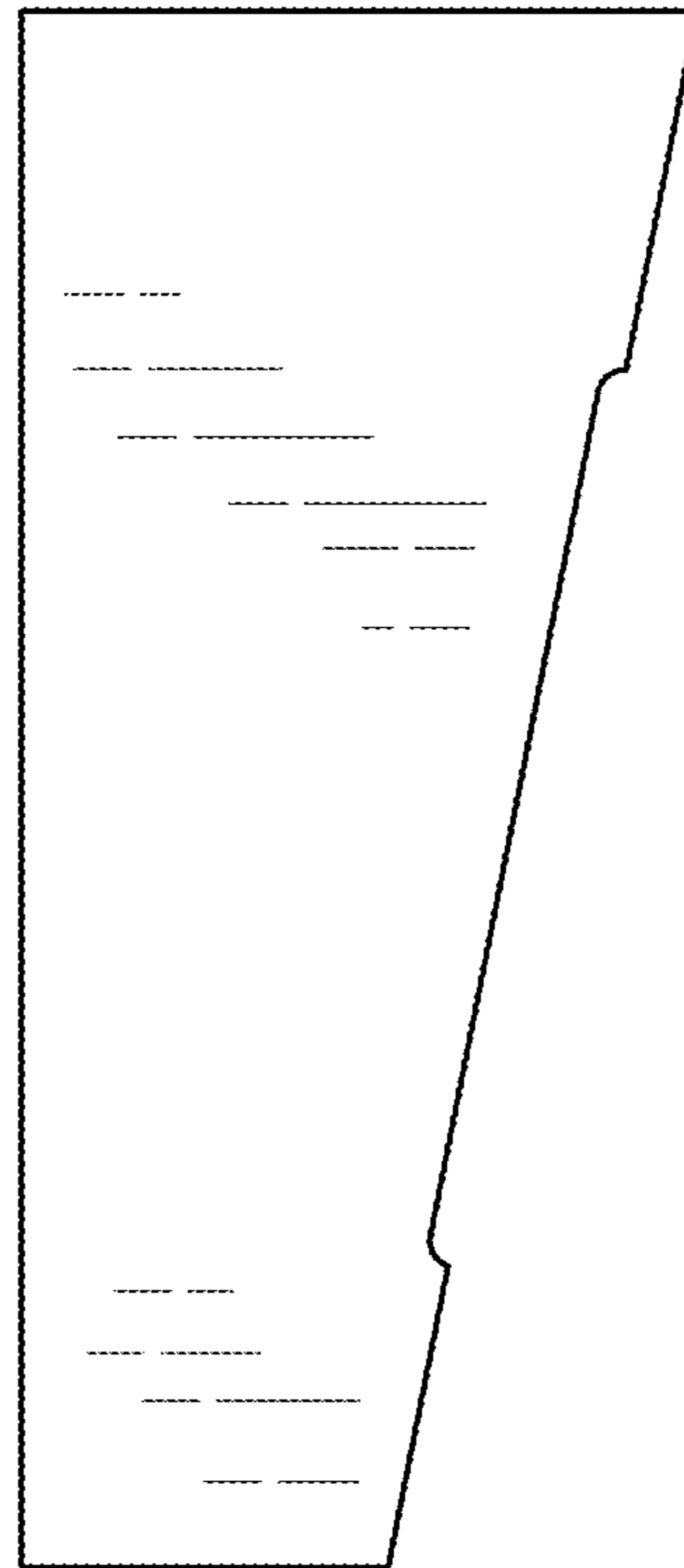


FIG.5

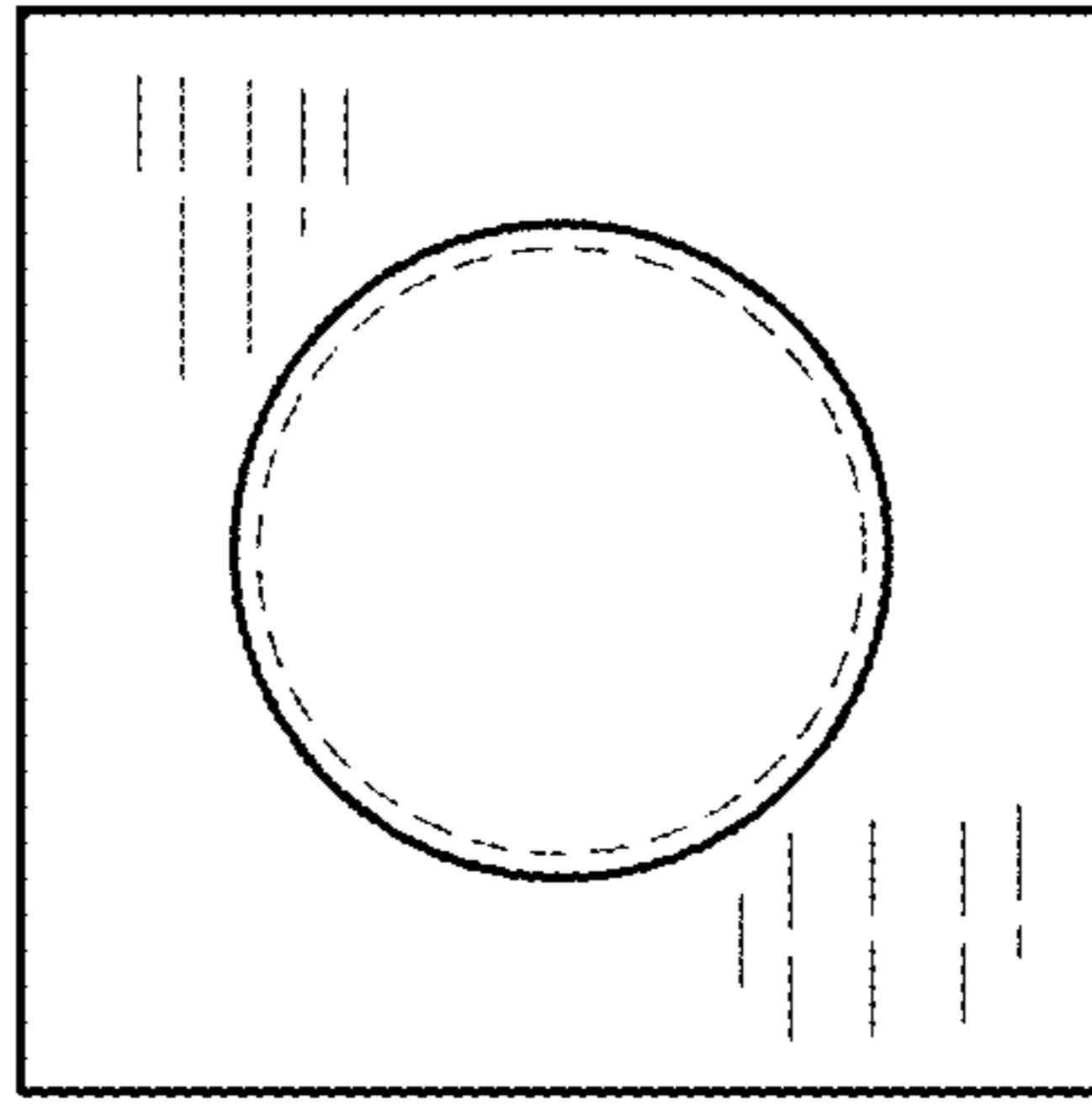


FIG. 6

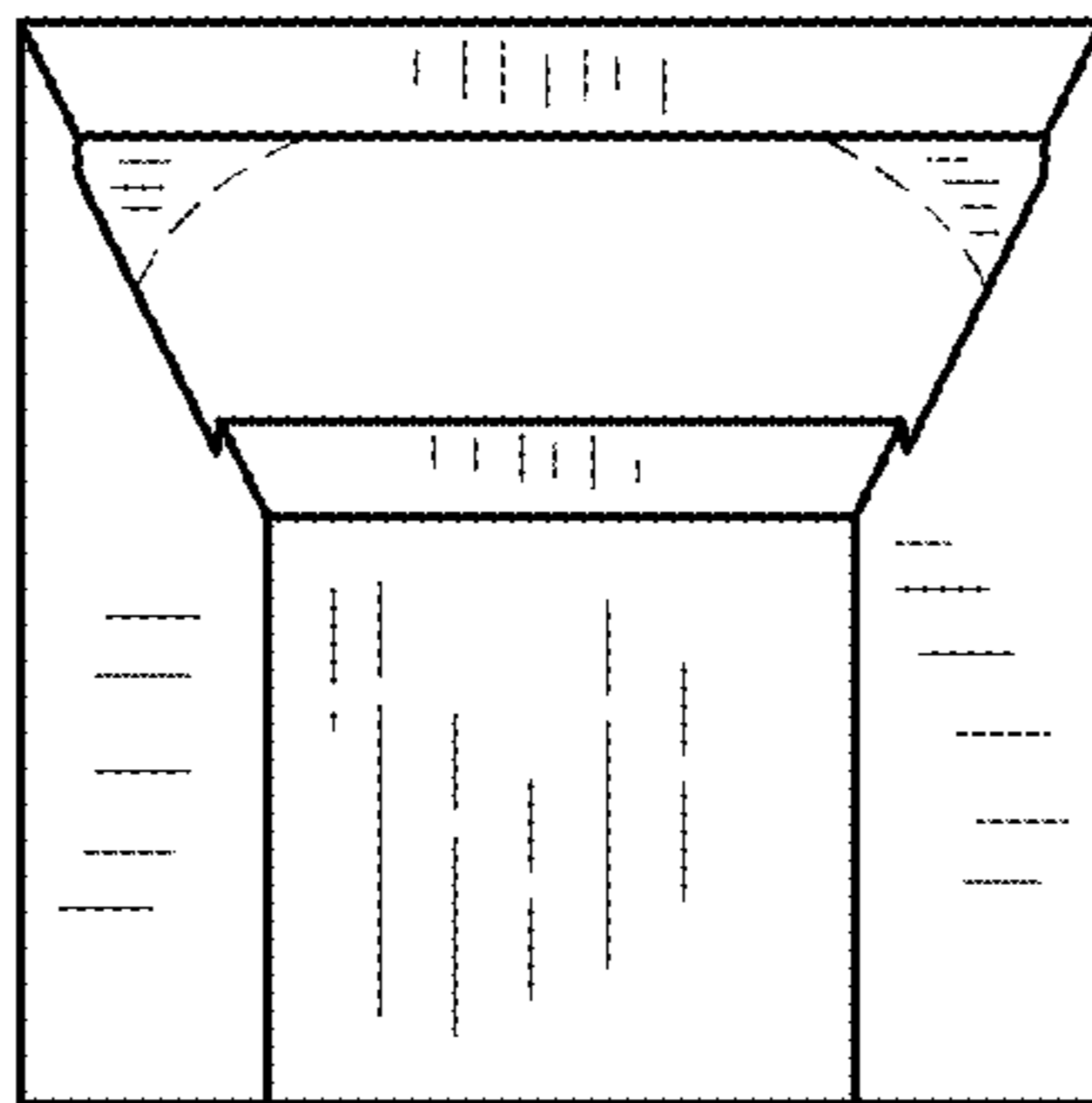


FIG. 7

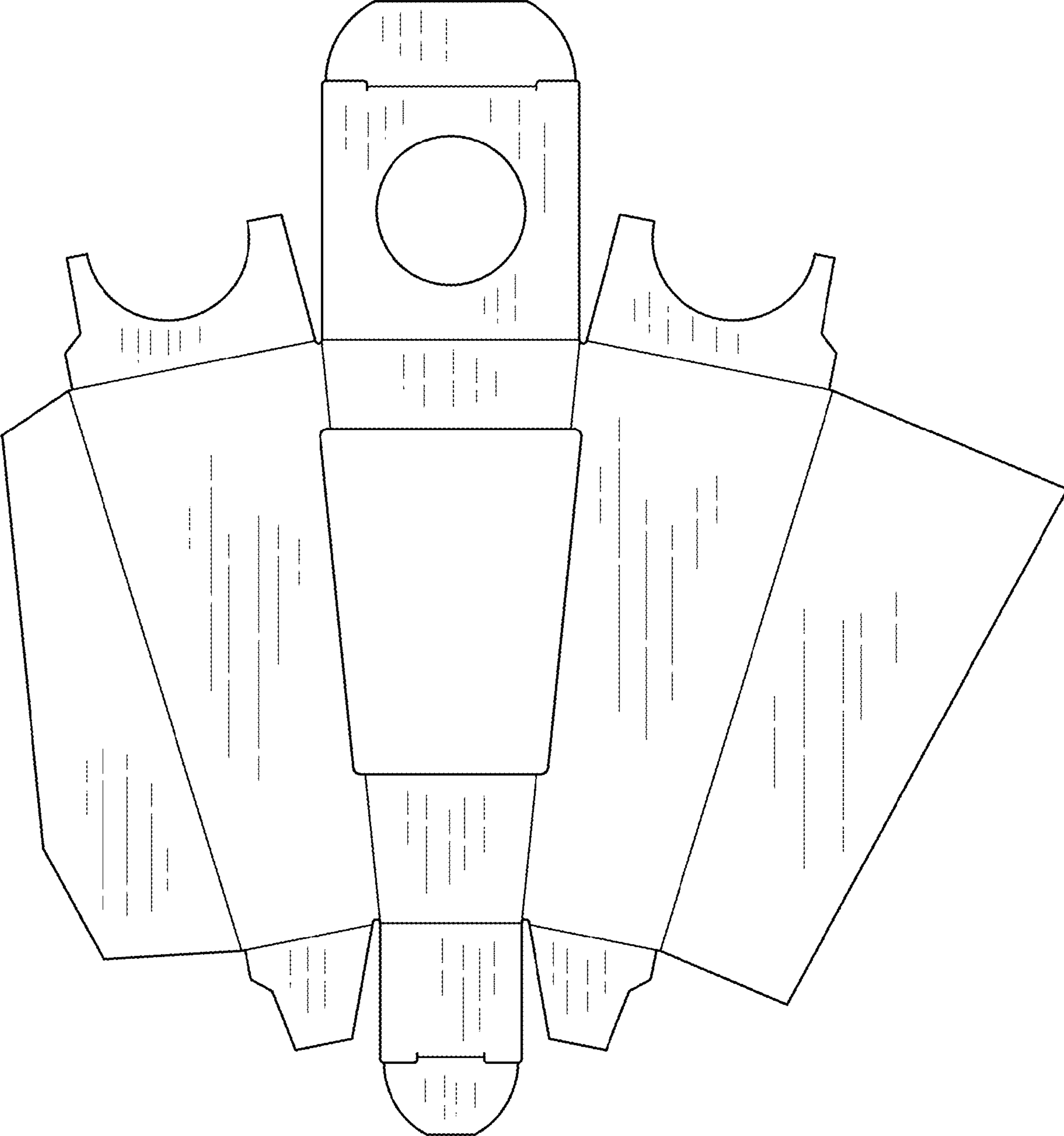


FIG.8